



## **INSTALLATION INSTRUCTIONS FOR GRAB BARS**

### **Recommended tools for installation:**

**1/4" Power Drill**

**1/8" drill bit when drilling through fiberglass**

**#2 Phillips Screw Driver and/or Phillips drill insert**

**1/2" Open end wrench or a small Crescent wrench**

**Tape measure**

**Pencil/pen**

**Center Punch**

**Silicone Caulk**

**Screws appropriate to the installation surface**

1. Wood reinforcements must be solidly installed behind the tile wall surface to provide a secure mounting surface to attach the grab bars. Grab bars must be installed at these locations only.

2. For grab bars with concealed flange, use the handle of a Phillips screw driver to tap back the covers on the bottom edge of the flange covers. It will be convenient in the installation process if the covers are tapped together in the center of the grab bar.

3. Determine the position you want to install the bar. Place the bar against the wall. Using a pencil, mark the location of each mounting hole at both ends of the bar.

4. Using a power drill with a 1/4" diameter carbide tipped drill bit, drill each mounting hole.

5. Apply silicone caulking around and inside each drilled hole before installing the grab bar.

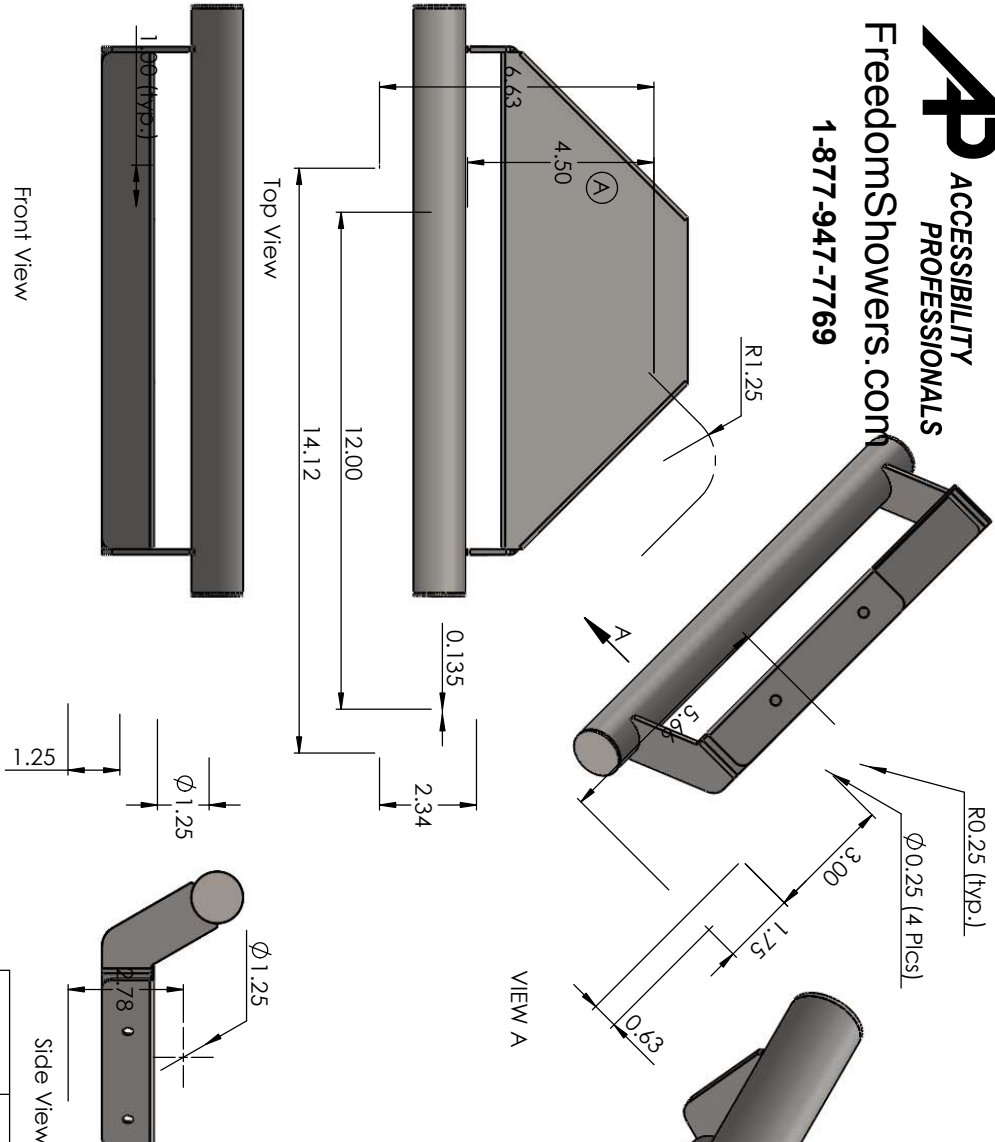
6. Take two (20 of the #10x2" Stainless Steel screws. By hand, screw in. Hand tighten mounting screw in each end of the bar into the wall.

7. Take the remaining #10x2" screws and place them into the remaining open holes. Use care to snug up the screws, but do not over-torque so that the screws strip in the backing material.

8. Use a power drill with a Phillips drill bit to fully install these mounting screws.

9. If installing a bar with snap-on covers, move the covers into place at each flange. Twist the covers clockwise or counter clockwise to tighten the covers onto the flanges.

**THIS COMPLETES THE INSTALLATION OF THE GRAB BAR**



REVISIONS			
REV.	DESCRIPTION	DATE	APPROVED
A	Reduced depth by 1/2" to accommodate 1-1/4" Corner Radius.	02-13-15	

UNLESS OTHERWISE SPECIFIED:			
DIMENSIONS ARE IN INCHES	DRAWN	NAME	DATE
TOLERANCES:		Tong	03-13-15
± FRACTIONAL ±	CHECKED		
± ANGULAR/PACK ± BEND ±	ENG APPR.		
± HOLE ±	MFG APPR.		
± THREE PLACE DECIMAL ±	Q.A.		
	COMMENTS:		
INTERRET GEOMETRIC TOLERANCING PER:			
MATERIAL			
16ga (0.020) Stainless			
FINISH			
Satin Stainless			
NEE' ASSY'	USED ON		
APPLICATION	DO NOT SCALE DRAWING		

**MODEL: APFW-SC306-1406-SS**

TITLE:	Corner Shower Shelf
	12" Shelf x 4-1/2" w/ 1/4" Handle
	Satin Stainless
SIZE	DWG. NO.
<b>B</b>	W-SC306-1406-SS_Q
SCALE: 1:5	WEIGHT:
	SHEET 1 OF 1