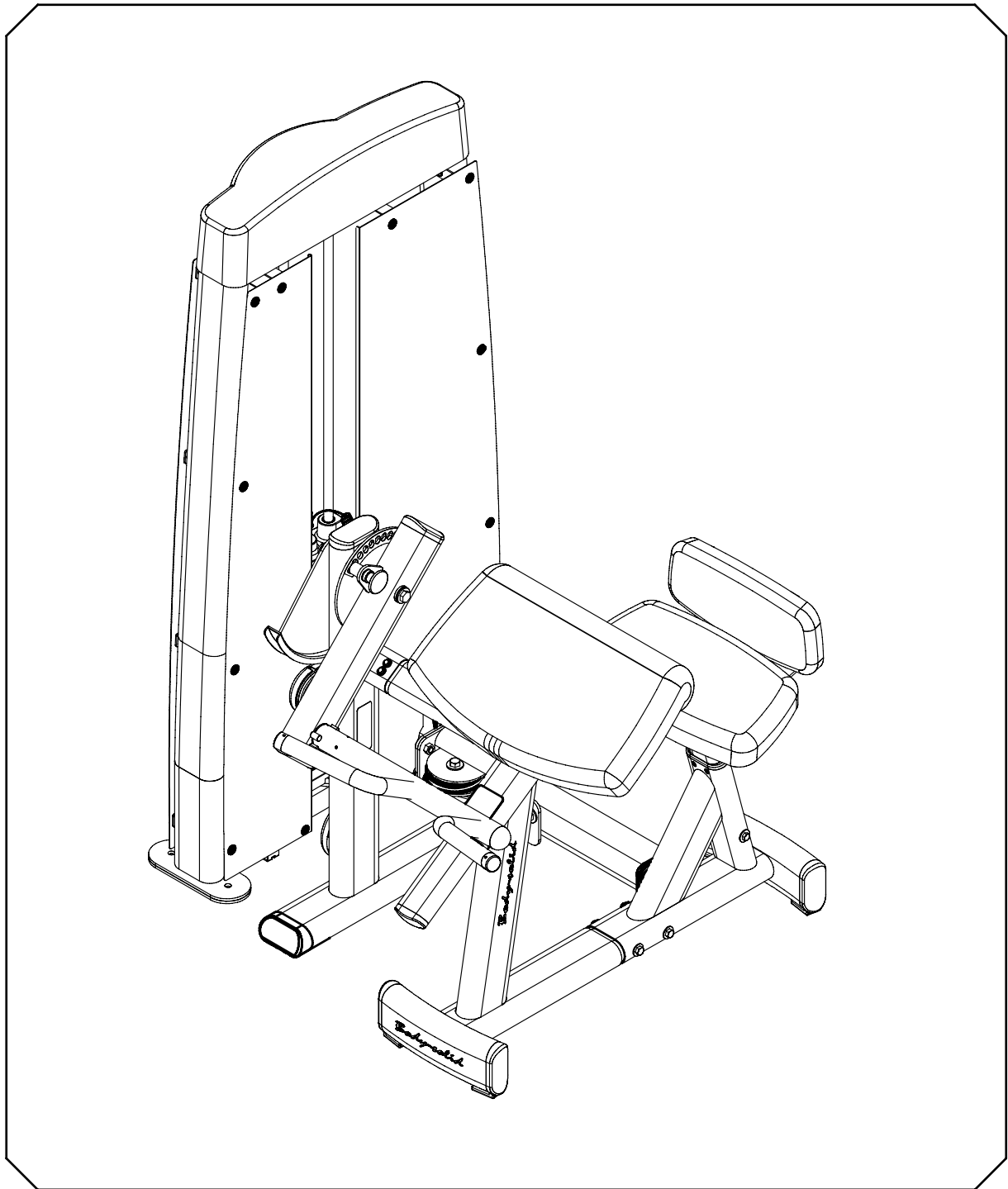


Body-Solid

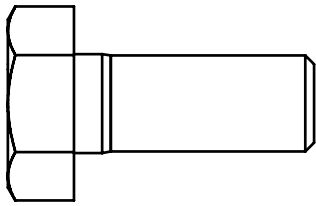


BODY-SOLID, Inc.
1900 S. Des Plaines Ave.
Forest Park, IL 60130 USA
Phone: (708) 427-3555
Fax: (708) 427-3556
www.bodysolid.com

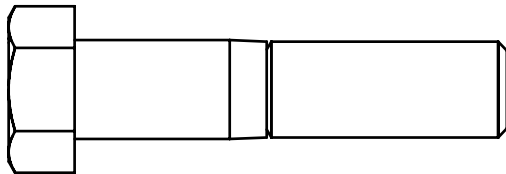
DBTC.1 OWNER'S MANUAL

DBTC ASSEMBLY INSTRUCTIONS

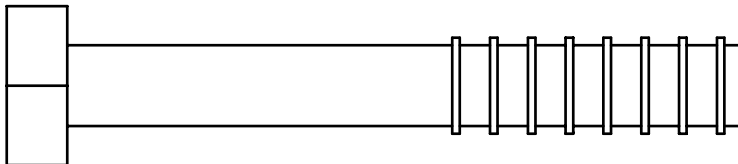
HARDWARW ILLUSTRATION



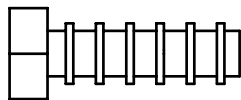
(A1)HEX BOLT 1/2"X1-1/4"L PARTIAL QTY.5



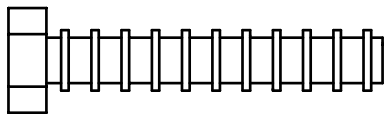
(A2)HEX BOLT 1/2"X2-1/4"L PARTIAL QTY.1



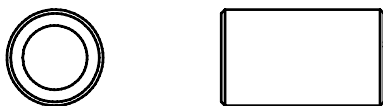
(A3)HEX BOLT 1/2"X3-1/2"L PARTIAL QTY.1



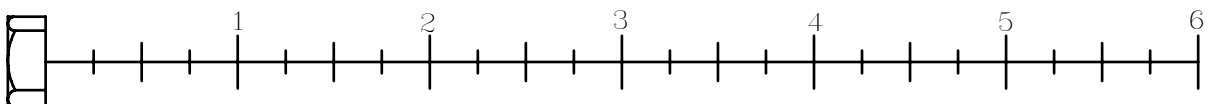
(A4)HEX BOLT 5/16"X1"L PARTIAL QTY.12



(A5)HEX BOLT 5/16"X1-3/4"L PARTIAL QTY.1

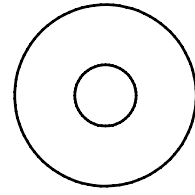
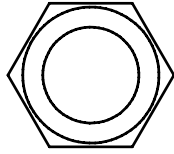
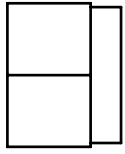


(A6)STEEL BUSHING \varnothing 1/2"X \varnothing 8.5X21L QTY.1

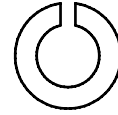


DBTC ASSEMBLY INSTRUCTIONS

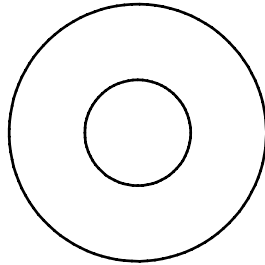
HARDWARW ILLUSTRATION



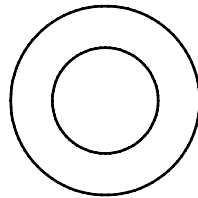
(B1) NYLON LOCK NUT 1/2" QTY.7 (C4) 5/16" (I.D.) FLAT WASHER \varnothing 24 QTY.12



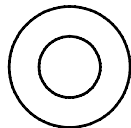
(B2) NYLON LOCK NUT 5/16" QTY.1 (C5) SPRING WASHER 5/16" QTY.12



(C1) 1/2" (I.D.) FLAT WASHER \varnothing 34 QTY.8



(C2) 1/2" (I.D.) FLAT WASHER \varnothing 25 QTY.6



(C3) 5/16" (I.D.) FLAT WASHER \varnothing 16 QTY.2

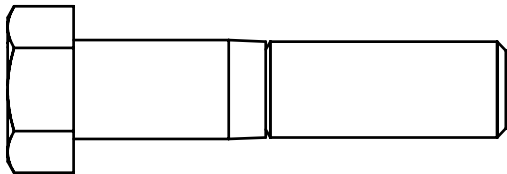


DBTC ASSEMBLY INSTRUCTIONS

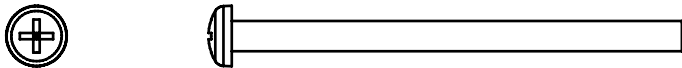
HARDWARW ILLUSTRATION



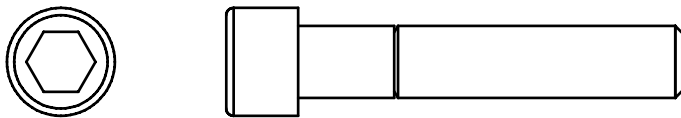
(AA1) ALLEN SCREW 5/16"X3/8"L FULL THREAD QTY.3



(AA2) HEX BOLT 1/2"X2-1/4"L PARTIAL QTY.3



(AA3) ROUND INNER HEX SCREW M4X65L PARTIAL QTY.2



(AA4) ROUND INNER HEAD 3/8"X2"L PARTIAL QTY.1



(AA5) ROUND INNER HEX SCREW M6X20L PARTIAL QTY.20

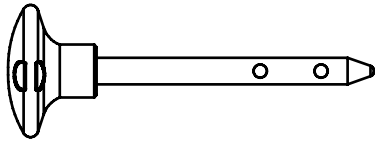


(AA6) ROUND CROSS SCREW 5/32"X1/4"L PARTIAL QTY.4

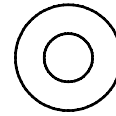


DBTC ASSEMBLY INSTRUCTIONS

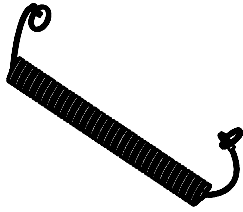
HARDWARW ILLUSTRATION



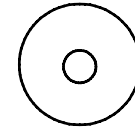
(AA7)10LB PIN(8250-071) QTY.1



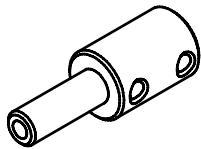
(CC2)M6(I.D.)FLAT WASHER Ø13 QTY.20



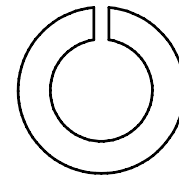
(AA8)ELASTIC BOLT QTY.1



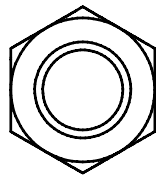
(CC3)M4(I.D.)FLAT WASHER Ø12 QTY.2



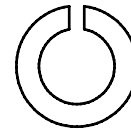
(AA9)WEIGHT STACK CABLE (8260-009) QTY.1



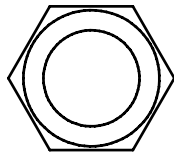
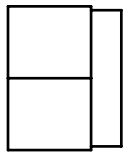
(CC4)SPRING WASHER 1/2" QTY.1



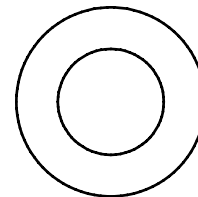
(BB1)NUT 1/2"-13UNC QTY.1



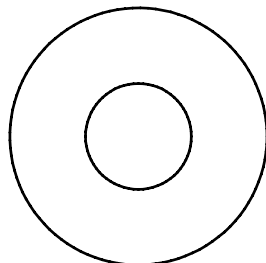
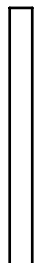
(CC5)SPRING WASHER 3/8" QTY.1



(BB2)NYLON LOCK NUT1/2" QTY.3



(CC6)1/2"(I.D.)FLAT WASHER Ø25 QTY.2



(CC1)1/2"(I.D.)FLAT WASHER Ø34 QTY.4



DBTC ASSEMBLY INSTRUCTIONS

HARDWARW ILLUSTRATION

D1



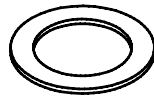
D2



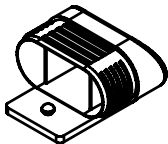
D3



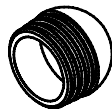
D4



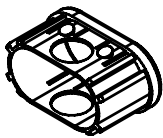
D5



D6



D7



D8



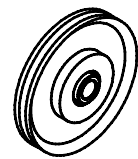
D9



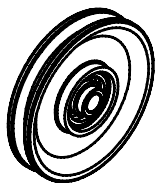
D10



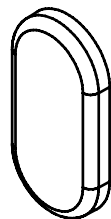
D11



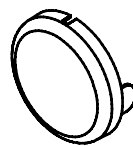
D12



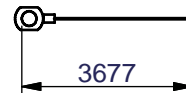
D13



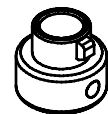
D14



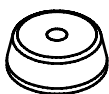
D15



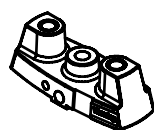
D16



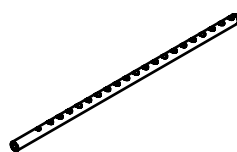
D17



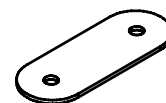
D18



D19



D20

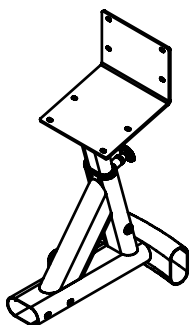


(D1)Ø3/4"X13.5X8L STEEL BUSHING(8110-014)-----	[2PCS]
(D2)Ø38"XØ25.2X27L STEEL BUSHING(8130-159)-----	[1PCS]
(D3)Ø30"XØ20X1.5t CU WASHER(8520-007)-----	[1PCS]
(D4)Ø38"XØ26X1.5t CU WASHER(8520-008)-----	[1PCS]
(D5)58X116X2.5t FOOT CAP(9211-109)-----	[1PCS]
(D6)Ø50 ROUND END CAP(9211-074)-----	[1PCS]
(D7)50X100 NYLON BUSHING(9211-107)-----	[2PCS]
(D8)58X116X2.5t FOOT CAP(9211-108)-----	[4PCS]
(D9)58X116X2.5t END CAP(9211-112)-----	[3PCS]
(D10)40X80X2t END CAP(9211-113)-----	[2PCS]
(D11)Ø4" PULLEY(9213-017A)-----	[2PCS]
(D12)Ø4" 1/2"PULLEY(9213-010B)-----	[5PCS]
(D13)207X105X25 END CAP(9211-115)-----	[1PCS]
(D14)Ø131X30 END CAP(9211-116)-----	[1PCS]
(D15)3677mm STEEL CABLE(FDBTCA)-----	[1PCS]
(D16)Ø3/4" SHAFT COLLAR(9211-046)-----	[2PCS]
(D17)Ø4" RUBBER DOUNT(9310-017)-----	[2PCS]
(D18)TOP PLATE(8400-006)-----	[1PCS]
(D19)WEIGHT SELECTOR BAR(8210-042)-----	[1PCS]
(D20)95X250 RUBBER PAD(9310-060)-----	[2PCS]
(D21)DBTC FOR DGYM STEEL CABLE(FDBTCB)-----	[1PCS]

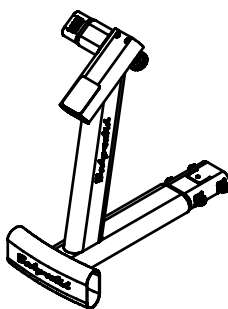
DBTC ASSEMBLY INSTRUCTIONS

PARTS ILLUSTRATION

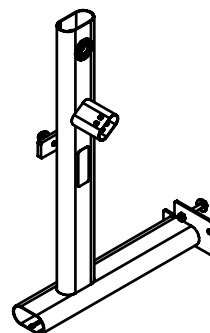
A1 [1PCS]



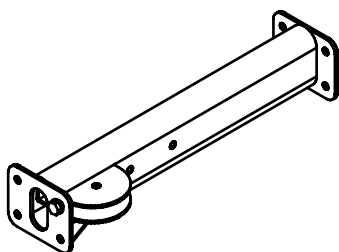
B [1PCS]



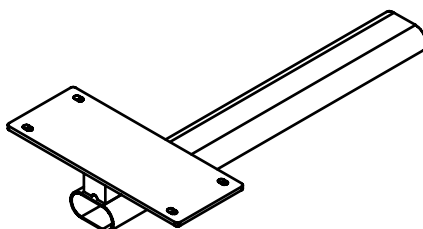
C [1PCS]



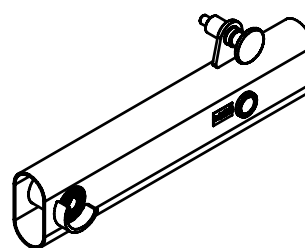
D [1PCS]



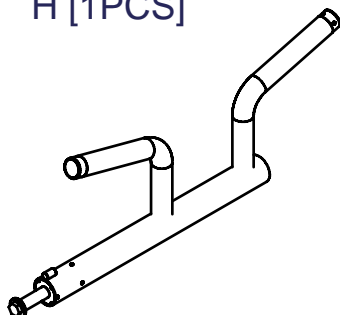
F1 [1PCS]



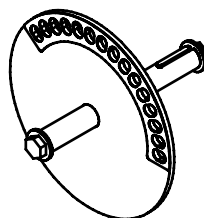
G [1PCS]



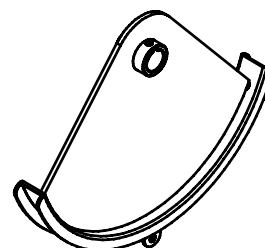
H [1PCS]



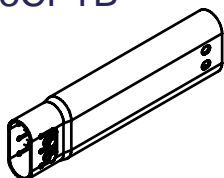
I [1PCS]



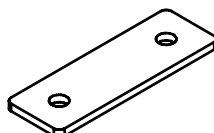
J [1PCS]



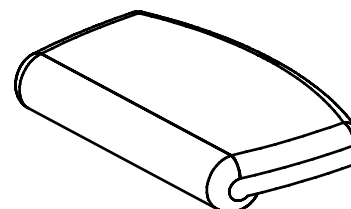
K [1PCS]
13CPTB



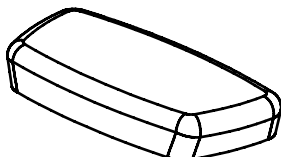
L [1PCS]
8312-062



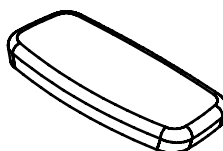
M [1PCS]
9132-019



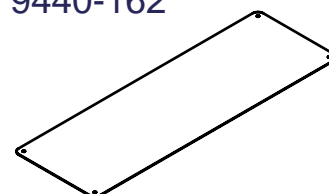
N [1PCS]
9122-038



O [1PCS]
9111-060



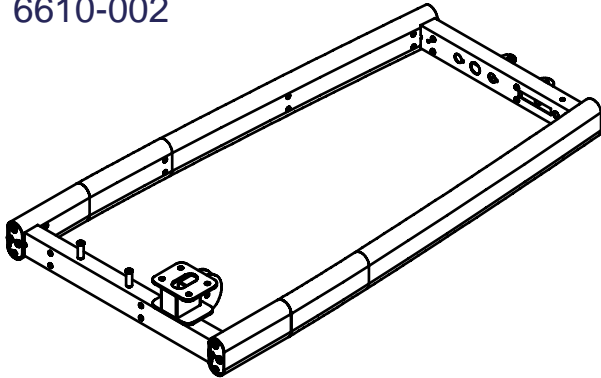
P [1PCS]
9440-162



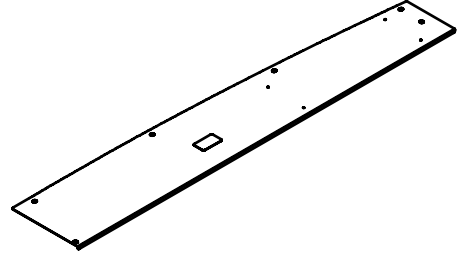
DBTC ASSEMBLY INSTRUCTIONS

PARTS ILLUSTRATION

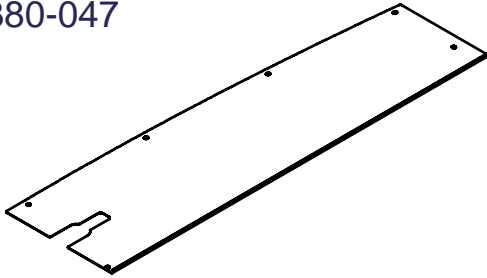
AA[1PCS]
6610-002



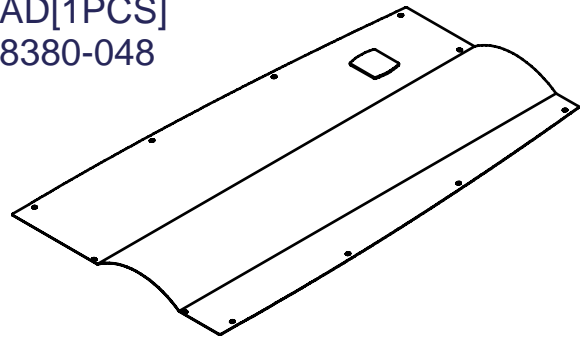
AB[1PCS]
8380-046



AC[1PCS]
8380-047



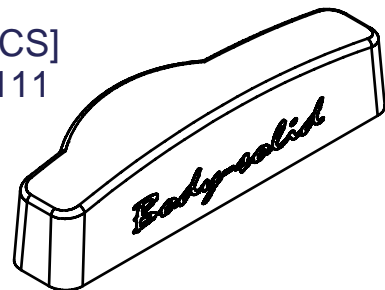
AD[1PCS]
8380-048



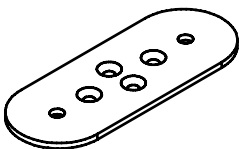
AE[2PCS]
260158A $\varnothing 3/4"$ X1.6tX1407L



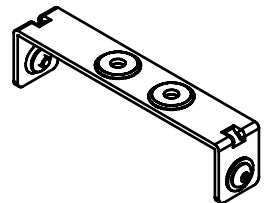
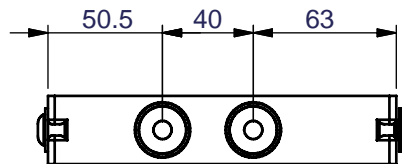
AF[1PCS]
9211-111



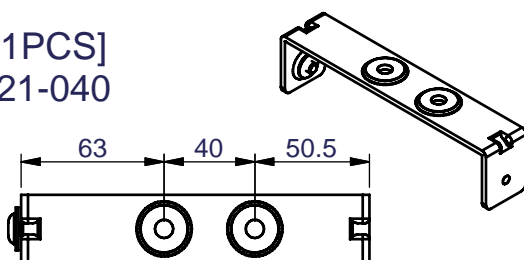
AG[2PCS]
8313-144



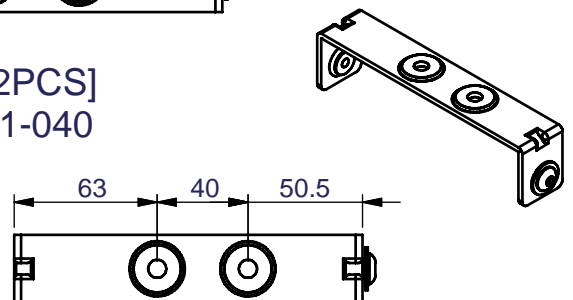
AH[9PCS]
8321-040



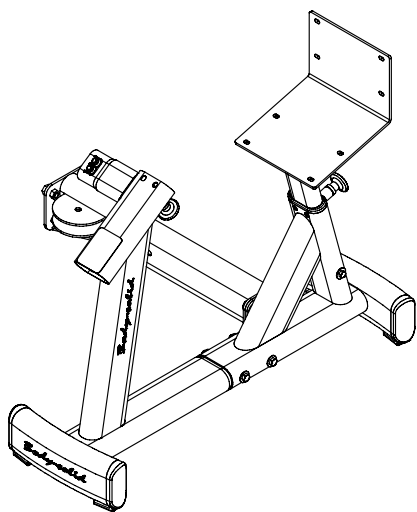
AI[1PCS]
8321-040



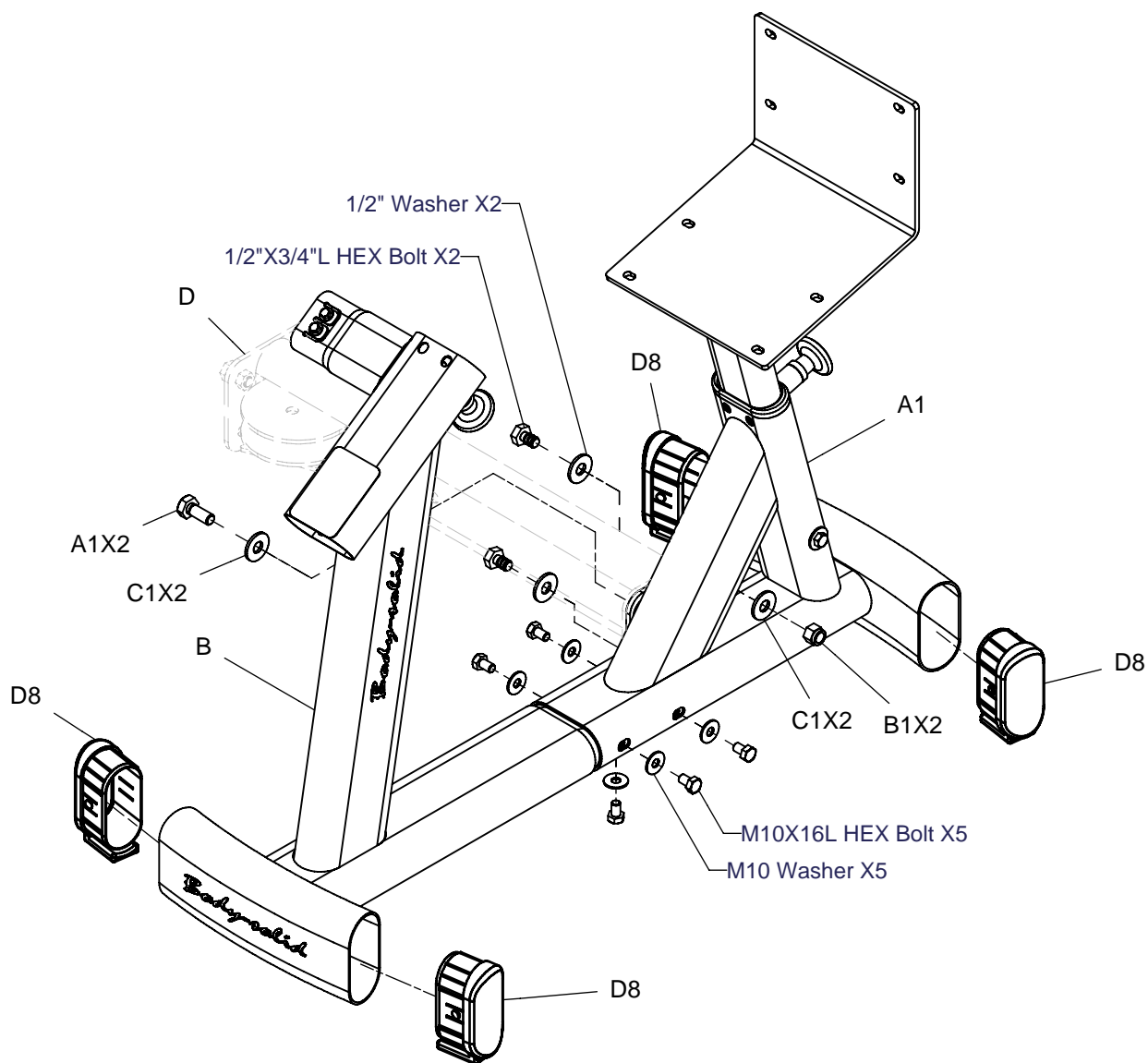
AJ[2PCS]
8321-040



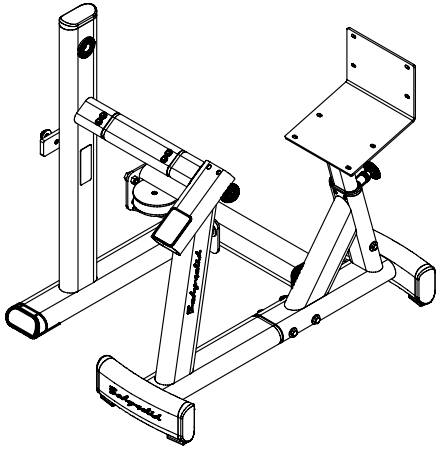
DBTC ASSEMBLY INSTRUCTIONS



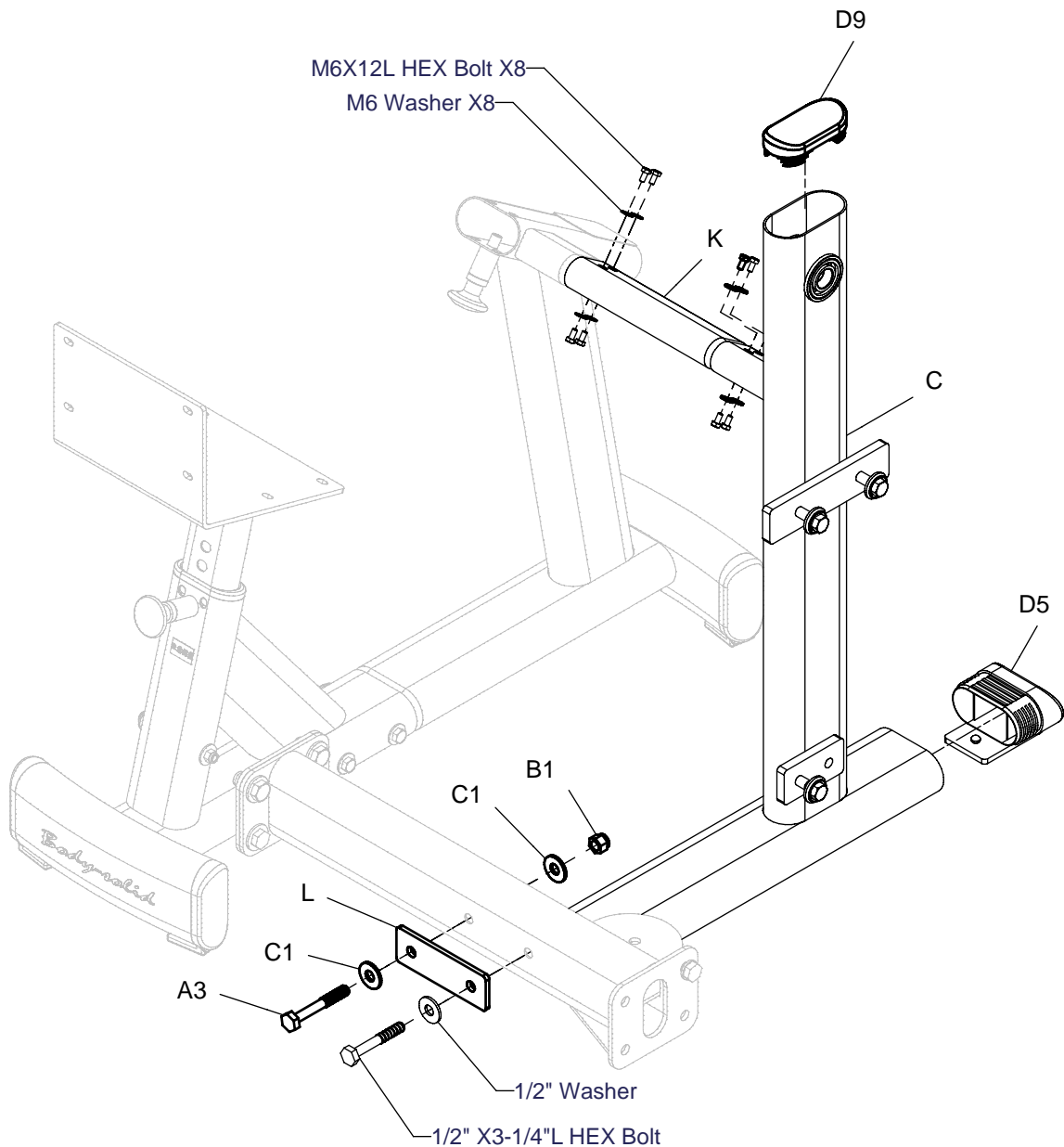
Above shows STEP 1
assembled and completed



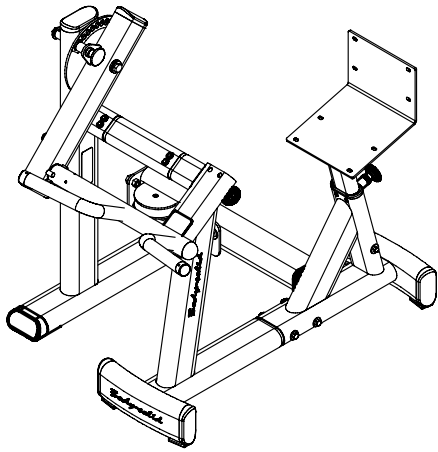
DBTC ASSEMBLY INSTRUCTIONS



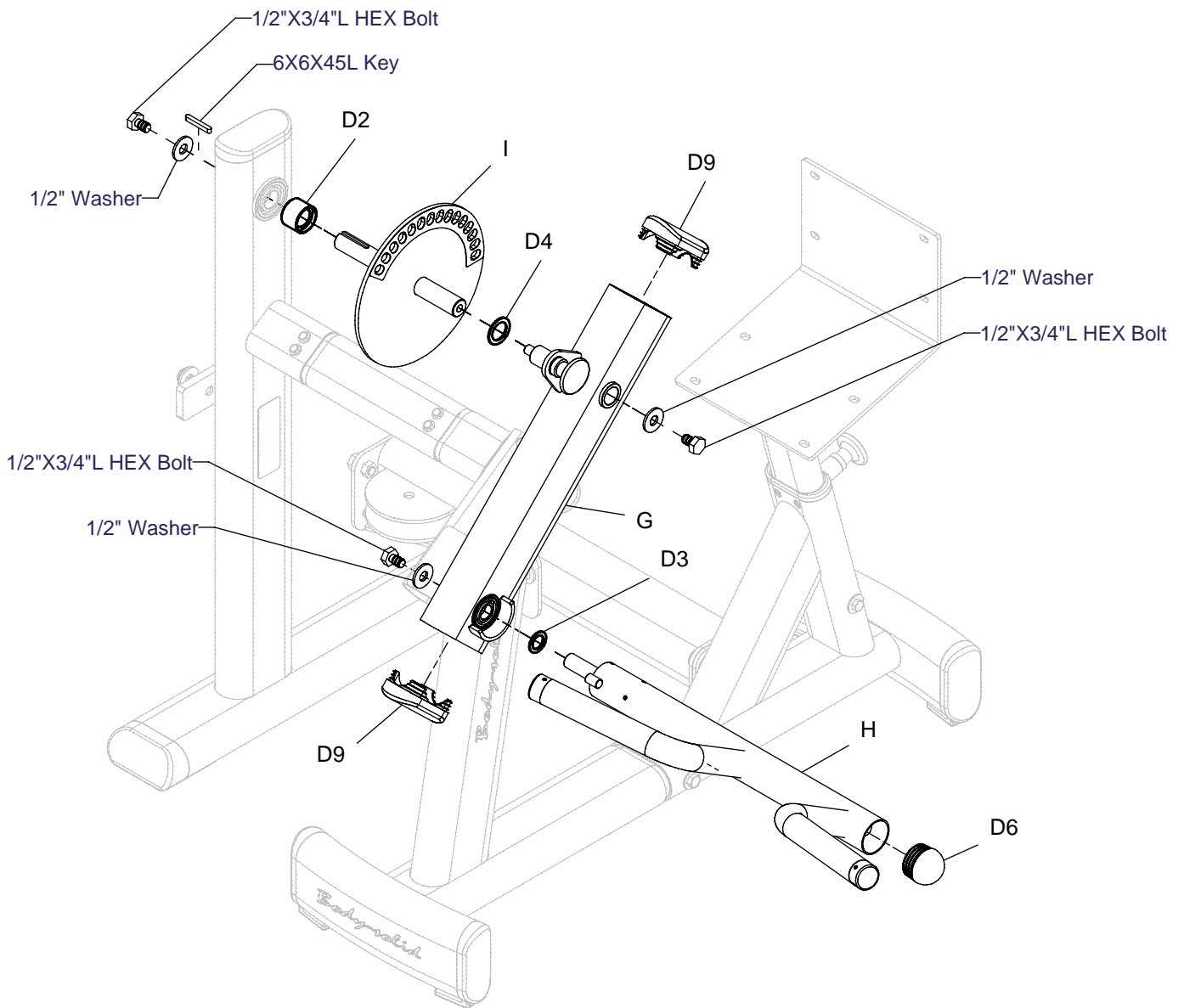
Above shows STEP2 assembled and completed



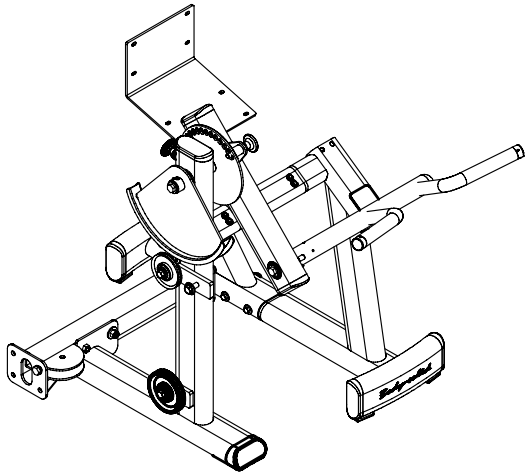
DBTC ASSEMBLY INSTRUCTIONS



Above shows STEP 3 assembled and completed

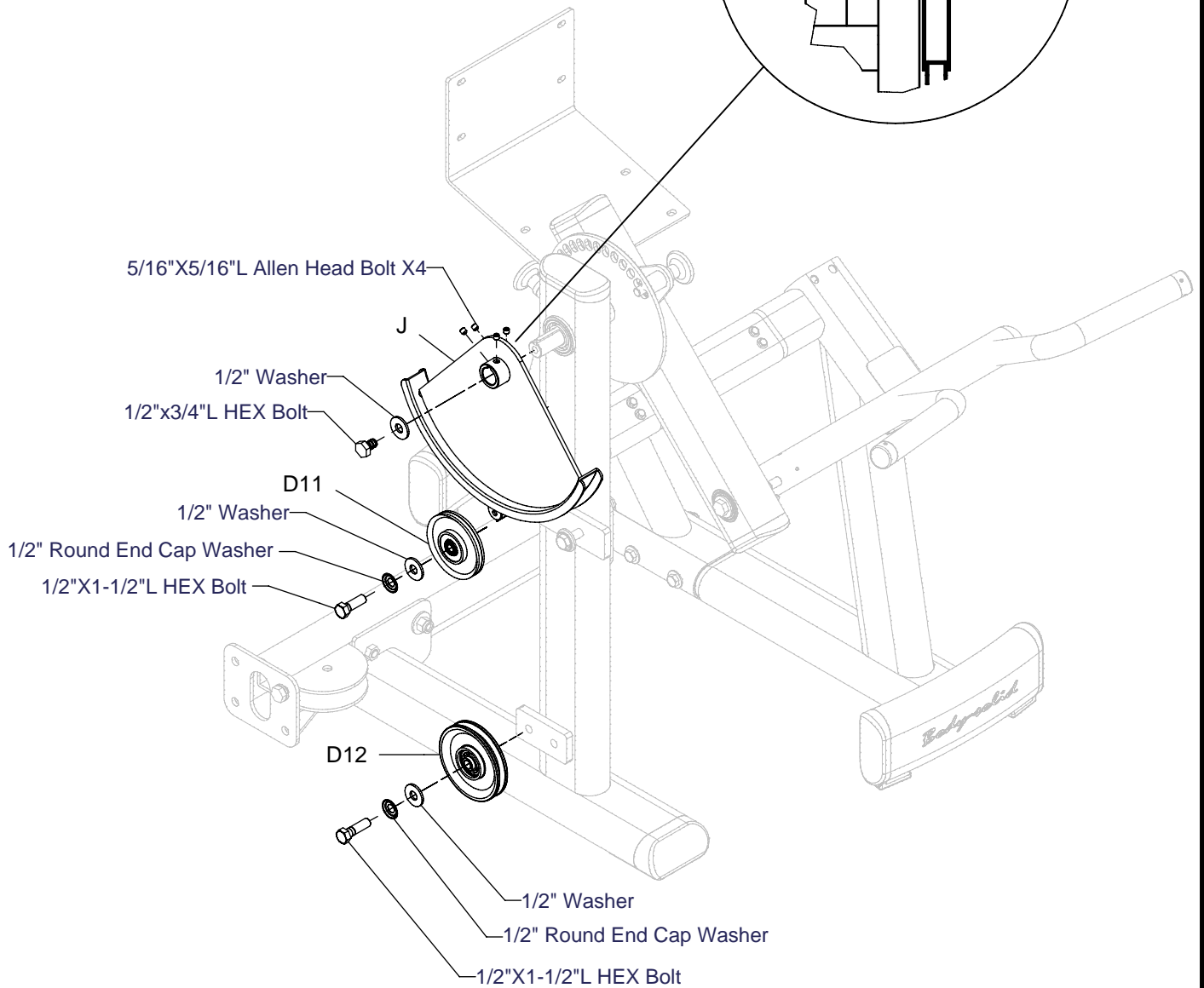
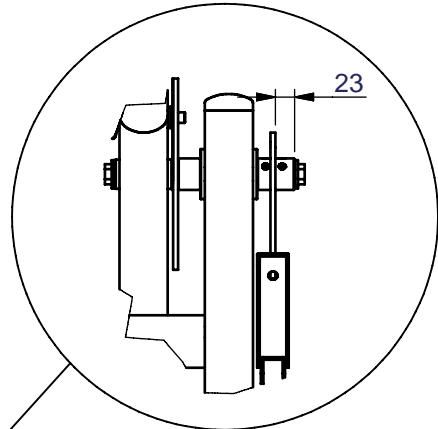


DBTC ASSEMBLY INSTRUCTIONS

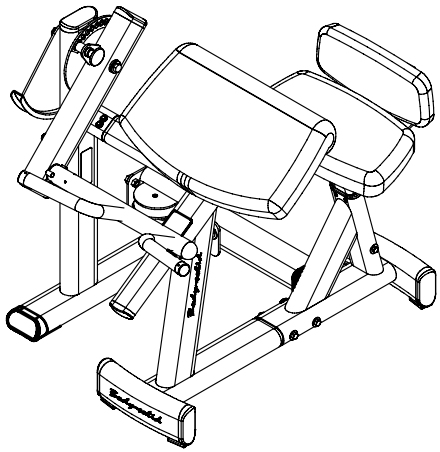


Above shows STEP 4 assembled and completed

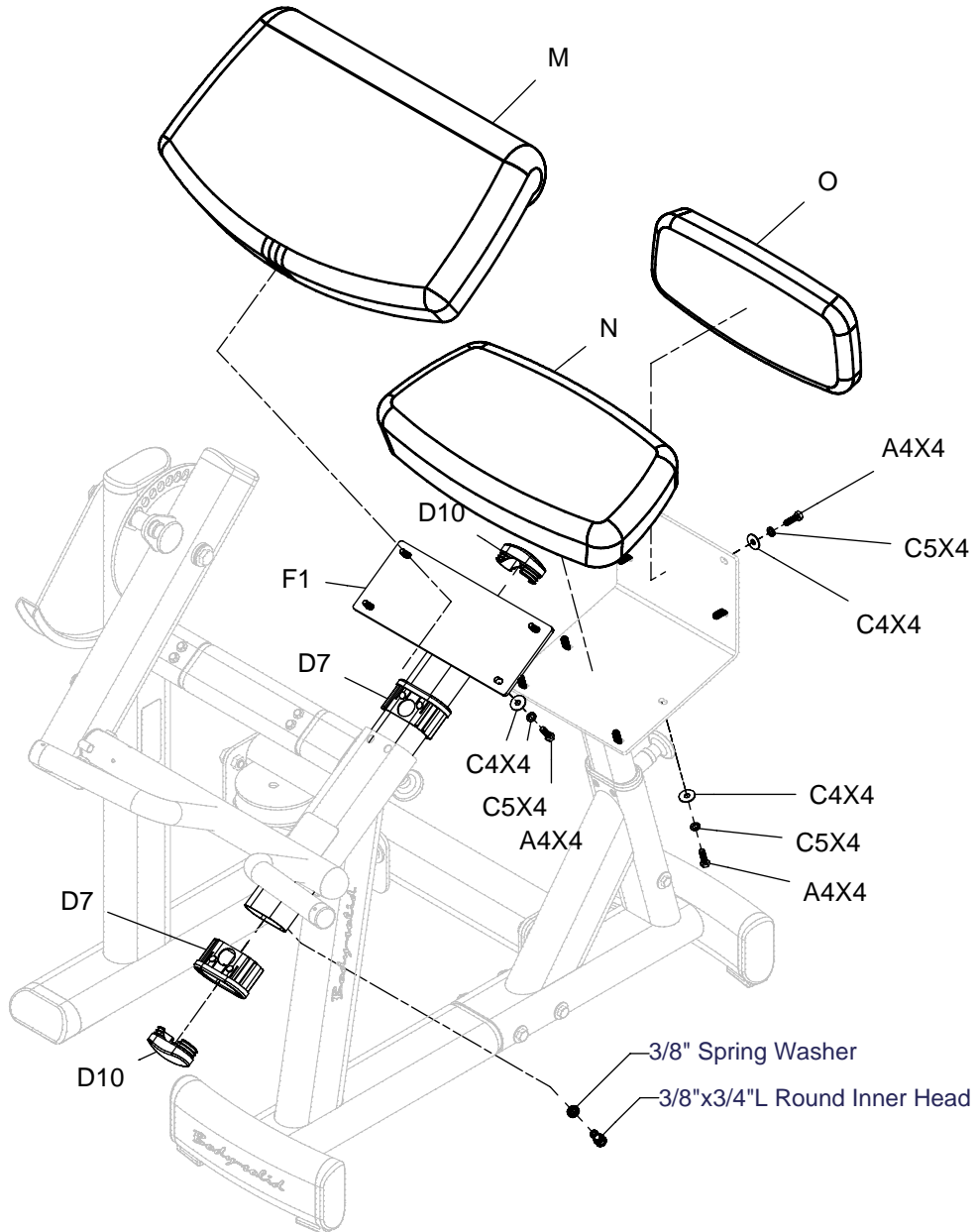
Detail View



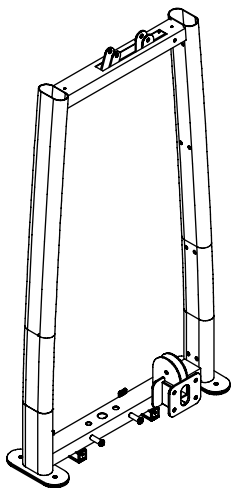
DBTC ASSEMBLY INSTRUCTIONS



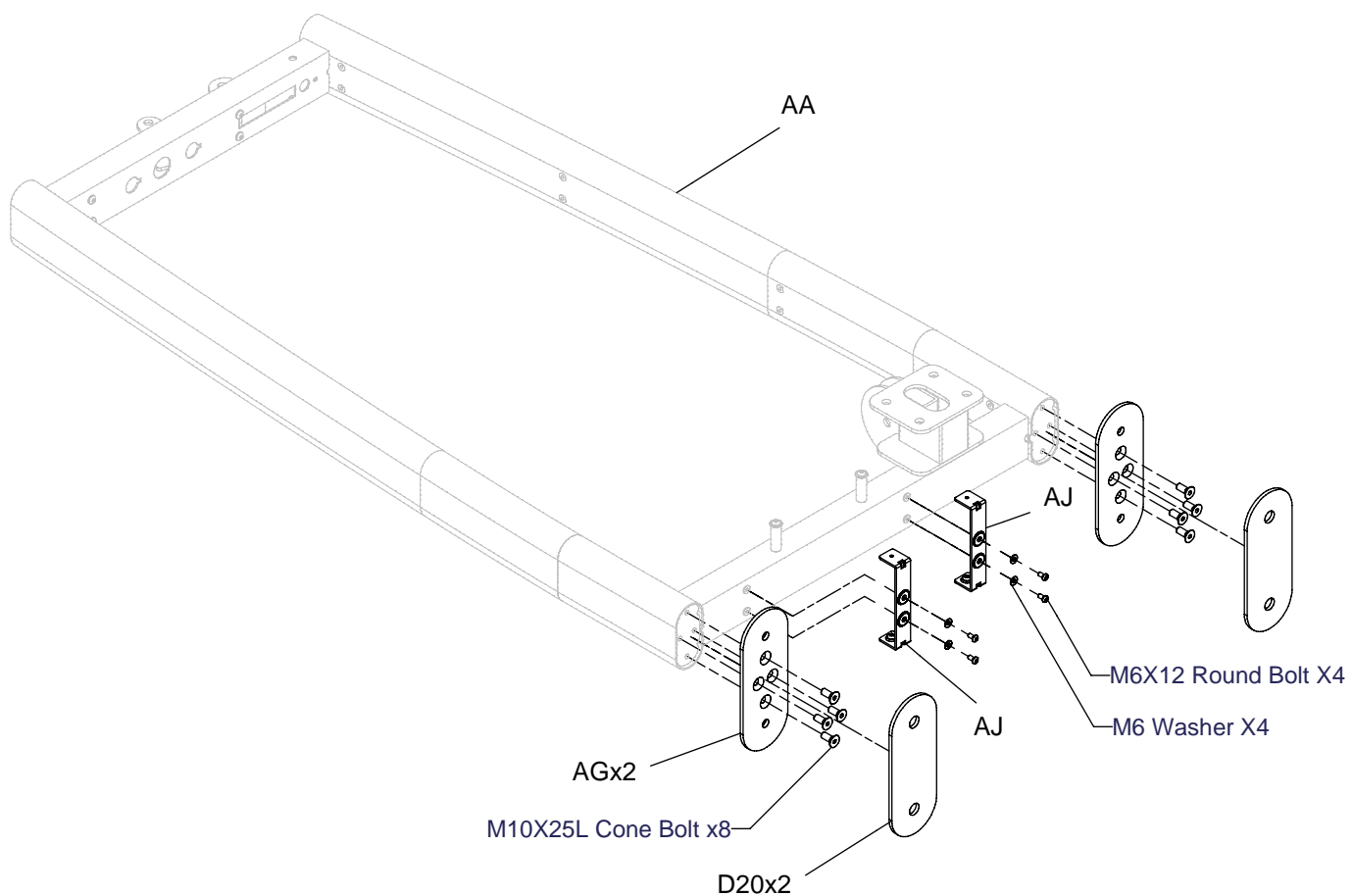
Above shows STEP 5
assembled and completed



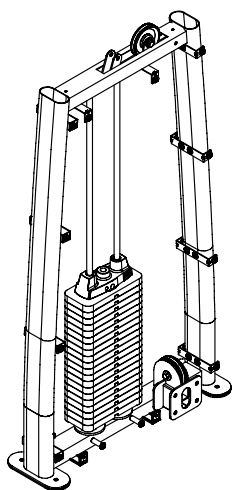
DBTC ASSEMBLY INSTRUCTIONS



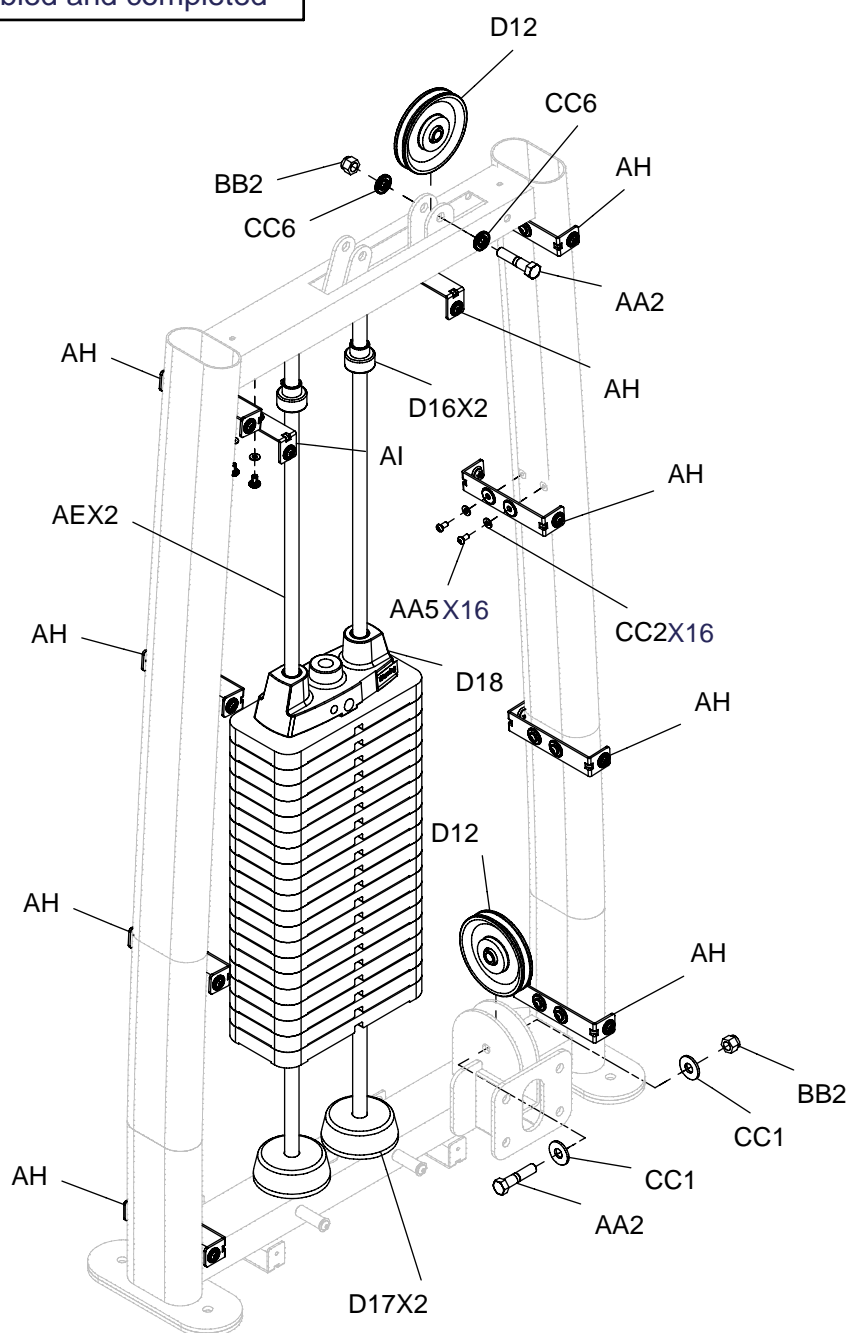
Above shows STEP 6
assembled and completed



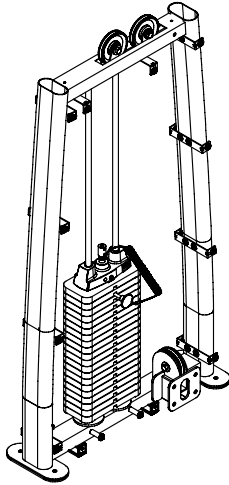
DBTC ASSEMBLY INSTRUCTIONS



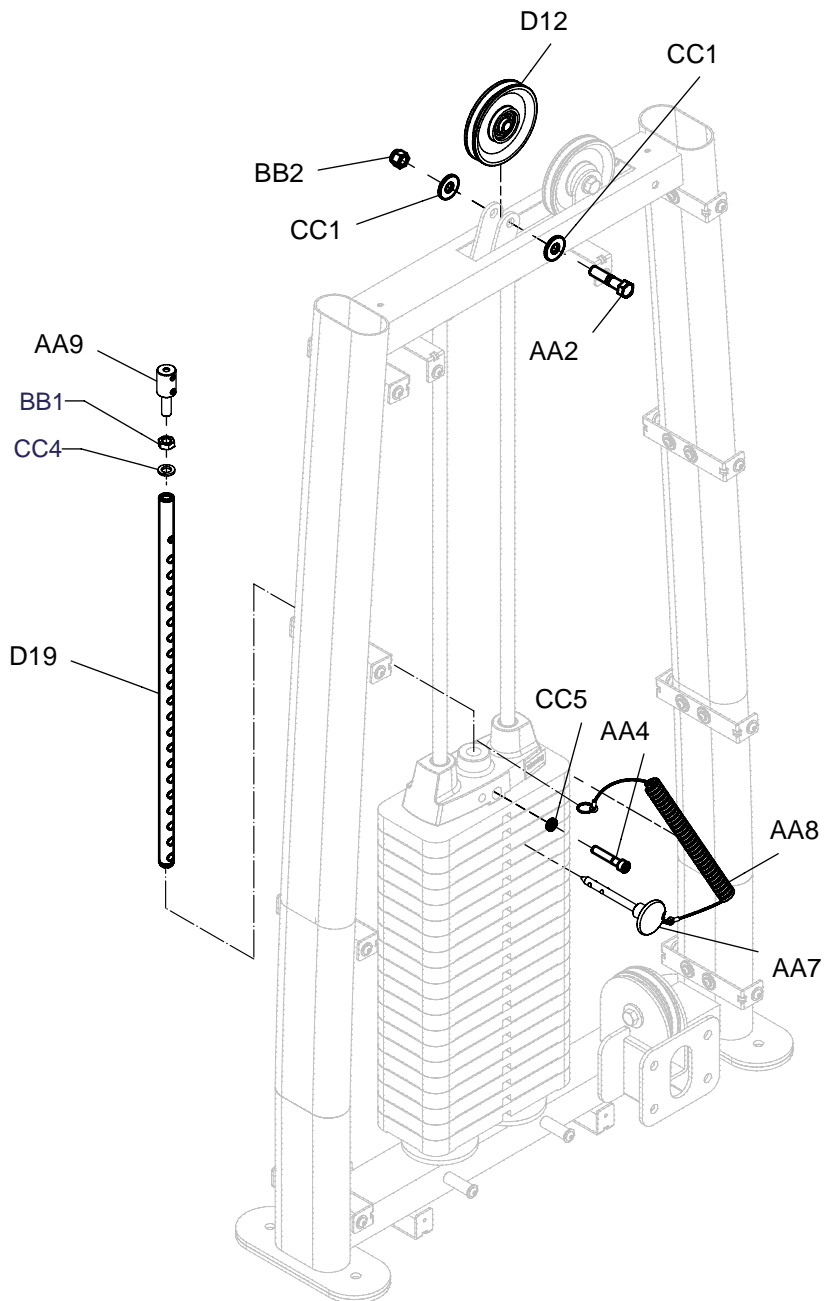
Above shows STEP 7
assembled and completed



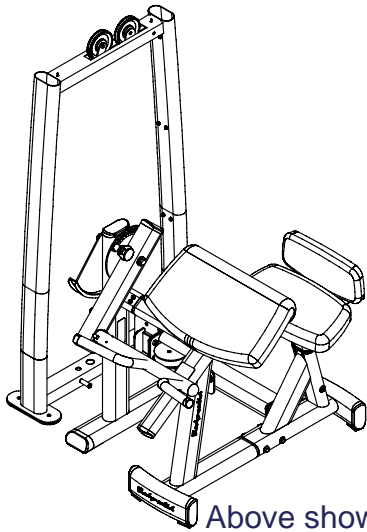
DBTC ASSEMBLY INSTRUCTIONS



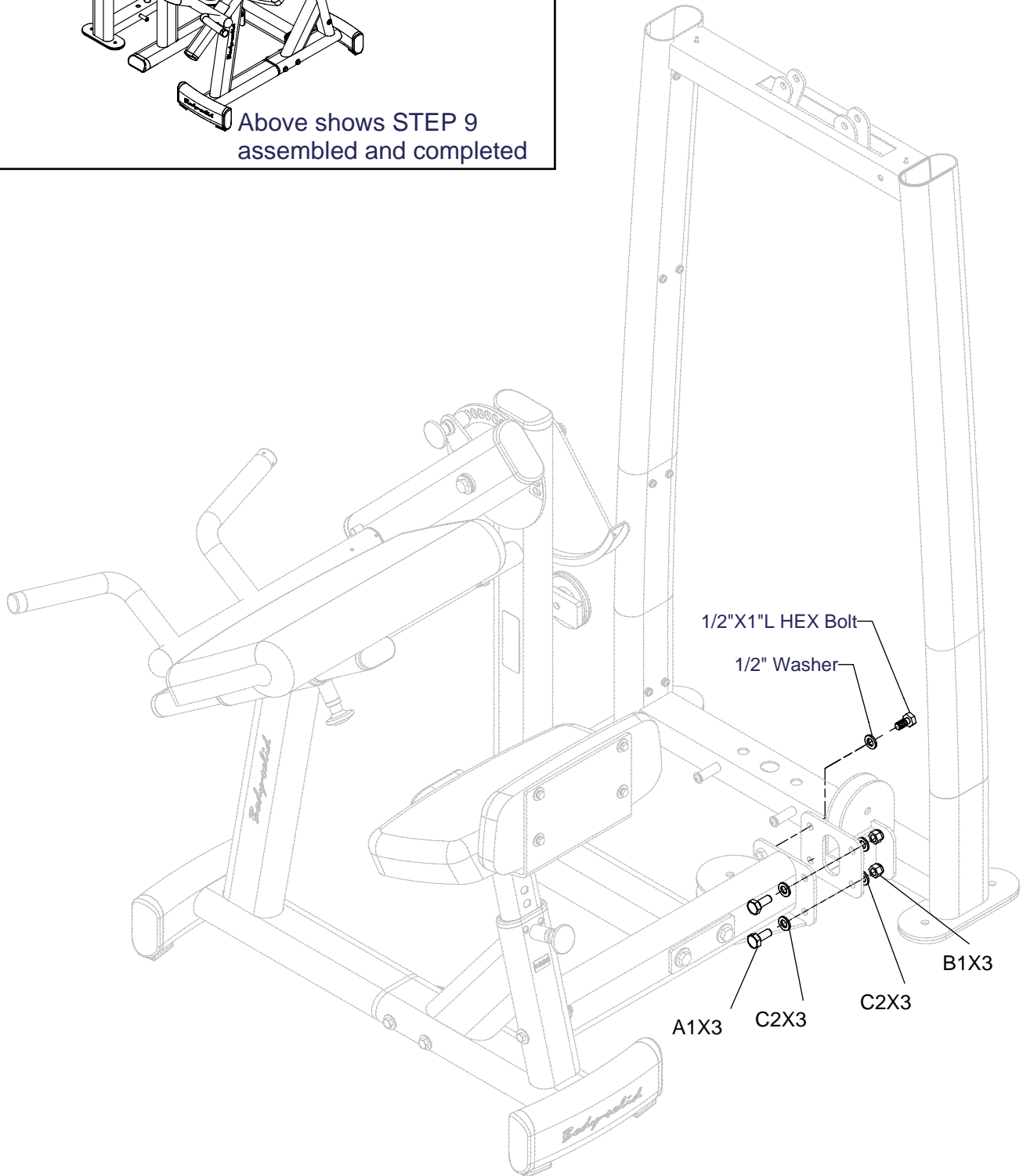
Above shows STEP 8
assembled and completed



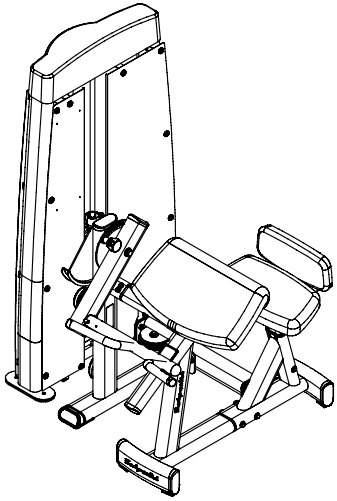
DBTC ASSEMBLY INSTRUCTIONS



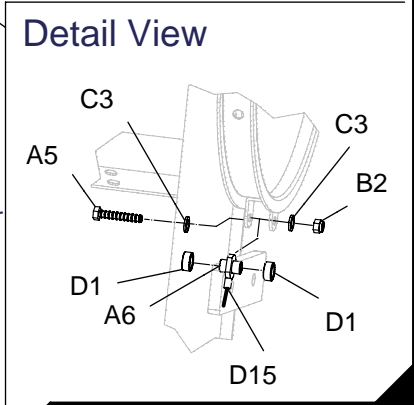
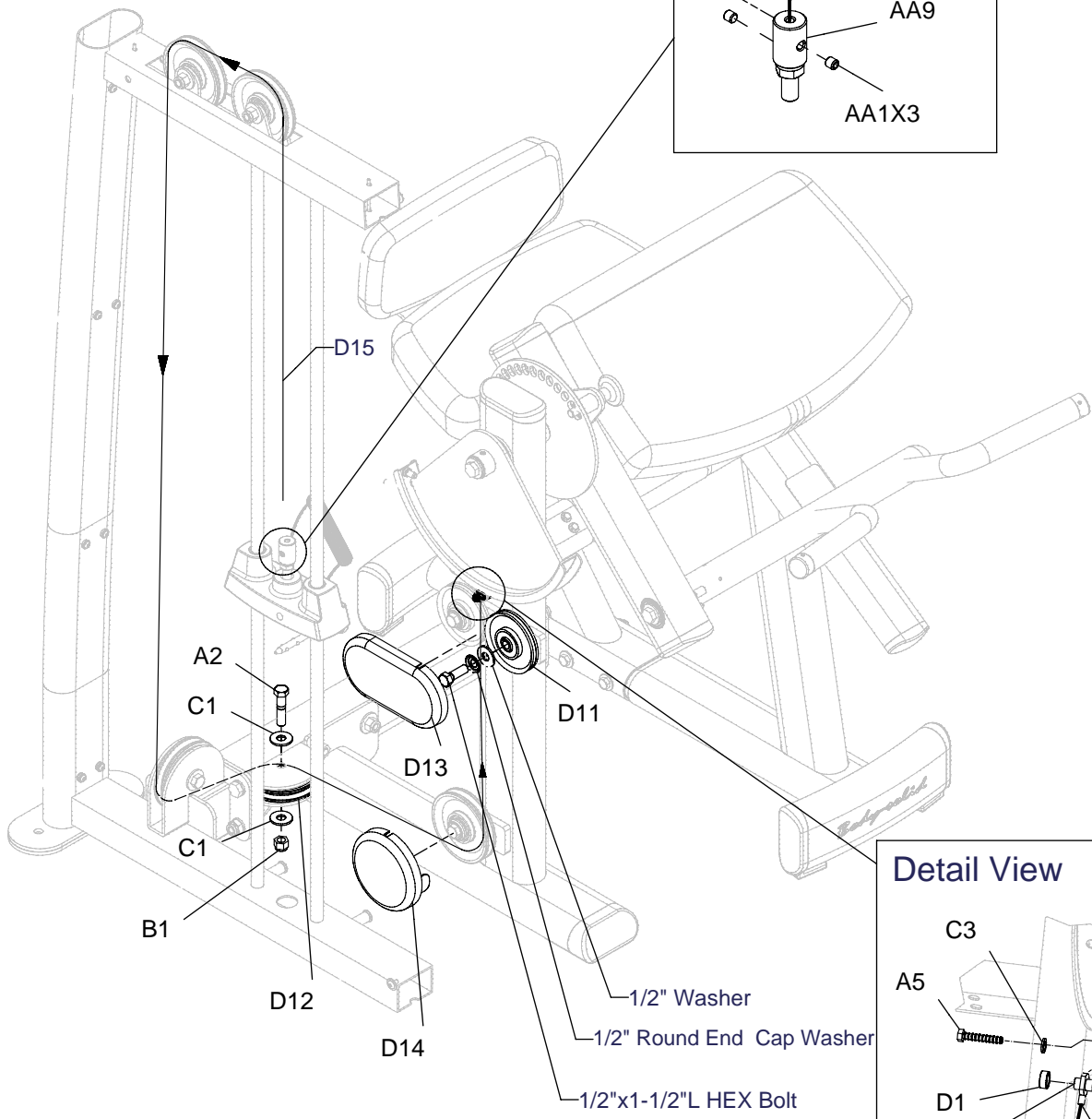
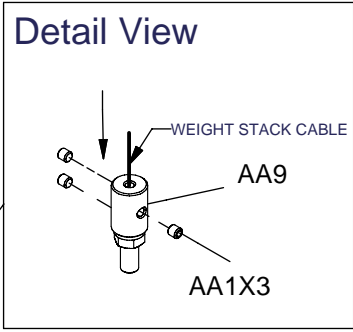
Above shows STEP 9 assembled and completed



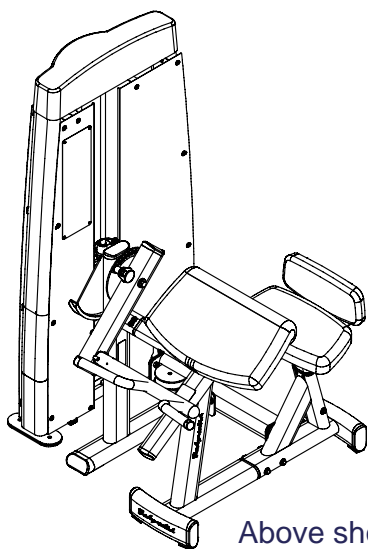
DBTC ASSEMBLY INSTRUCTIONS



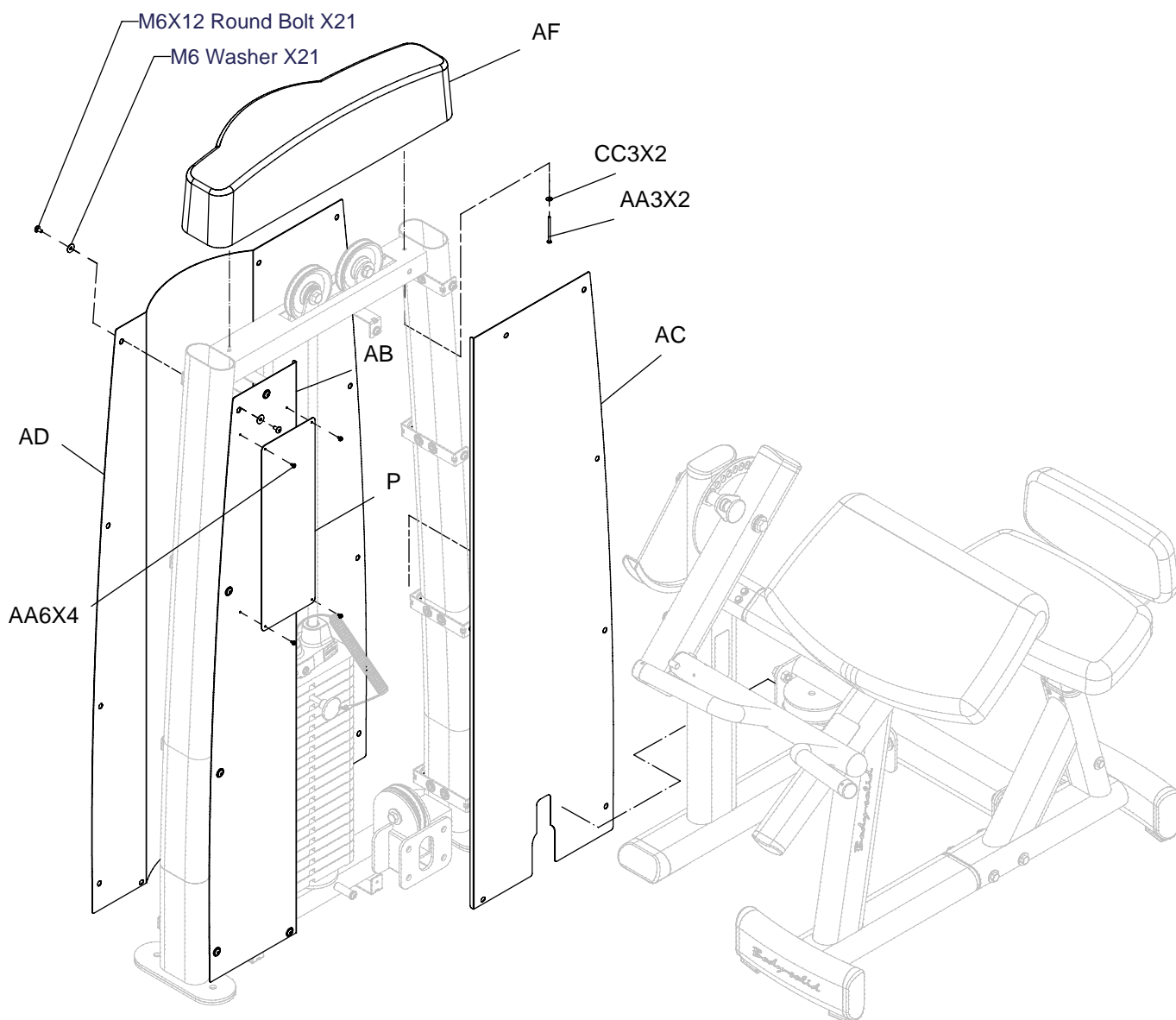
Above shows STEP 10 assembled and completed



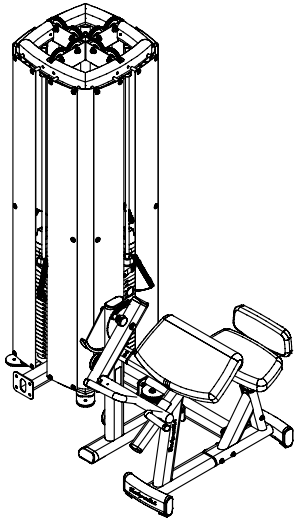
DBTC ASSEMBLY INSTRUCTIONS



Above shows STEP 11
assembled and completed

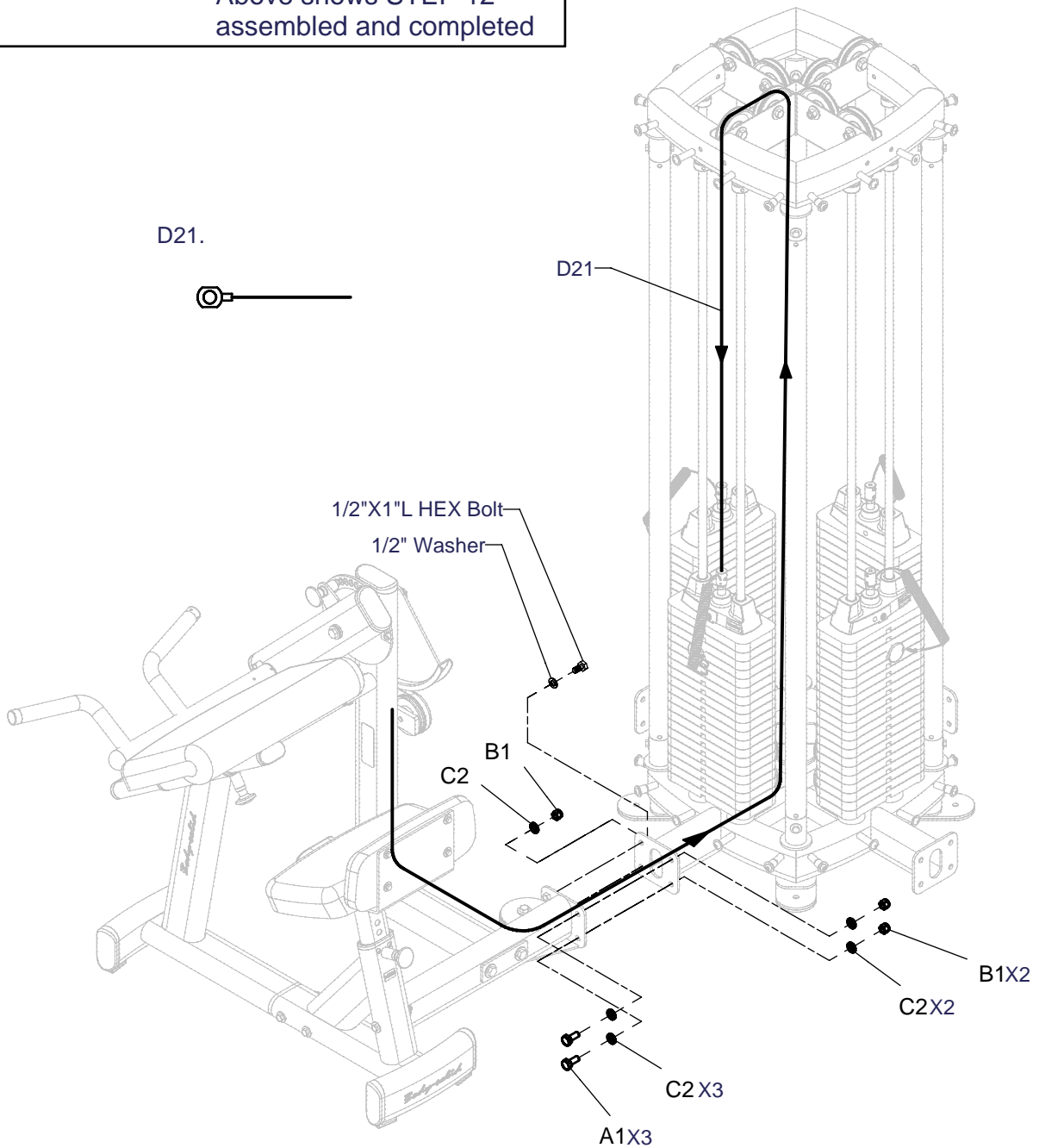


DBTC ASSEMBLY INSTRUCTIONS



Above shows STEP 12
assembled and completed

D21.



DBTC ASSEMBLY INSTRUCTIONS

