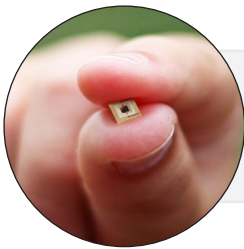




## First UV-C LED Point-of-Entry Residential System



- State of the art UV-C LEDs
- > 99.99% pathogen reduction
- No chemicals; mercury-free

- UV Intensity monitoring as standard
- Instant on/off for intermittent flows
- No hot water shot after no flow conditions



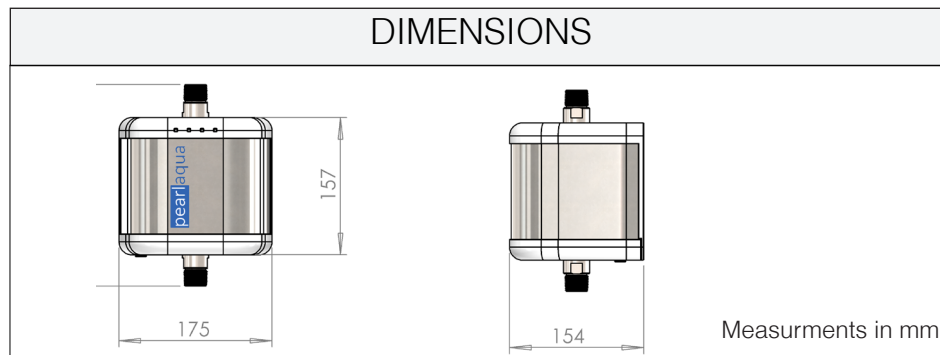
- Low cost of ownership
- Reduced energy consumption
- Dynamic Power Control

- 5 year lamp replacement interval
- Reduced mineral fouling
- No handling of fragile lamps and sleeves



SPECIFICATIONS			
Product Name		PearlAqua Deca	
Model Name		24C4	
UV Dose (mJ/cm <sup>2</sup> ) @ 98% UV-T	16	Max Flow [lpm (gpm)]	On Request
	30		
	40		
Headloss at Max Flow [bar (psi)]		0.3	(4.5)
Inlet/Outlet Water Connection		3/4" MNPT	
Weight [kg (lbs)]		4.2	(9.3)
Max Operating Pressure [bar (psi)]		8.3	(120)
Environmental Protection		IP65	
Lamp Replacement Interval		60 months @ 2.5 hours/day [5,000 hours]	
Max Ambient Temp [°C (°F)]		45	(113)
Water Temperature [°C (°F)]		0-30	(32-86)
Input Voltage [V DC]		24 [110/240 AC power supply included]	
Input Power [flow variable] [W]		180 (max)	

Specifications provided as a guide. Specifications subject to change  
Unit designed to be used on domestic cold water supply only



Full in-house optical, electrical, and mechanical design capabilities.  
ISO 9001:2015 certified manufacturing facility located in Kentucky, USA.

