



566G

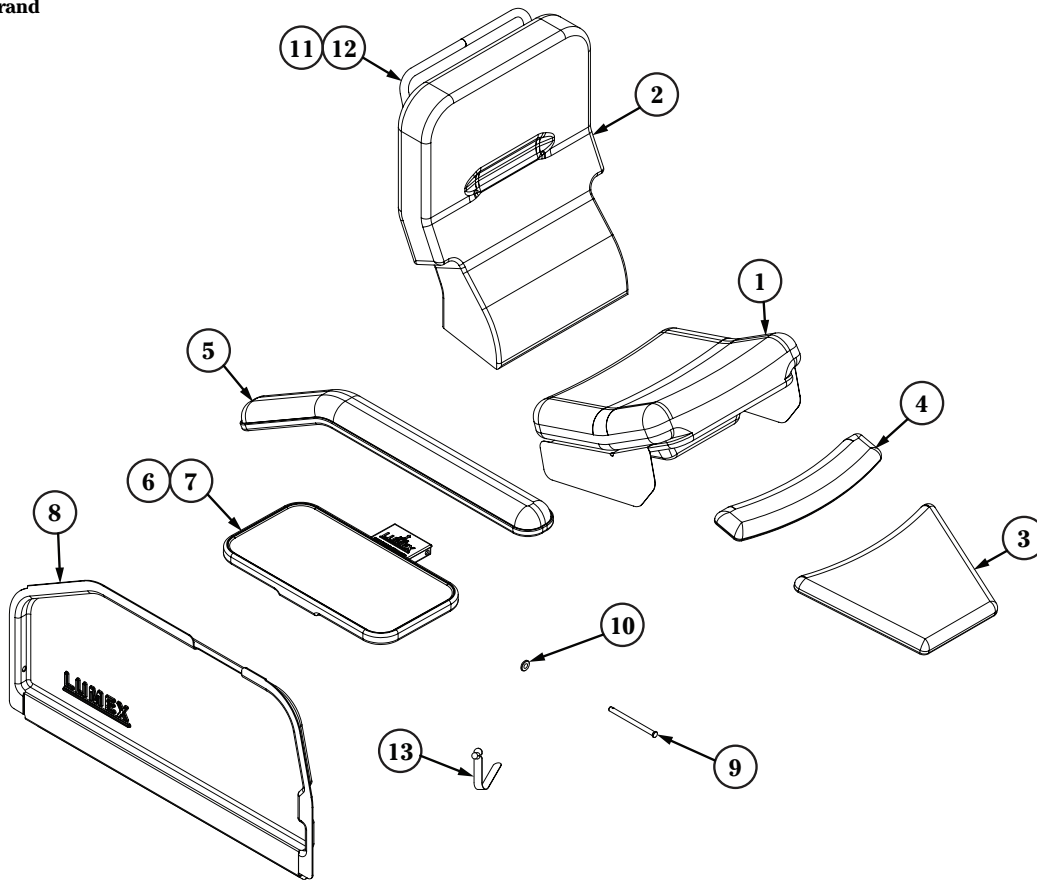
---

**Returns:** Parts may not be returned without prior authorization from GF Health Products, Inc. Custom parts cannot be returned for credit. Please refer to GF Health Products, Inc. Terms and Conditions for further information.

GF Health Products, Inc. is not responsible for typographical errors. Packaging, warranties, products and specifications are subject to change without notice. Lumex® and Graham-Field® are registered trademarks of GF Health Products, Inc.

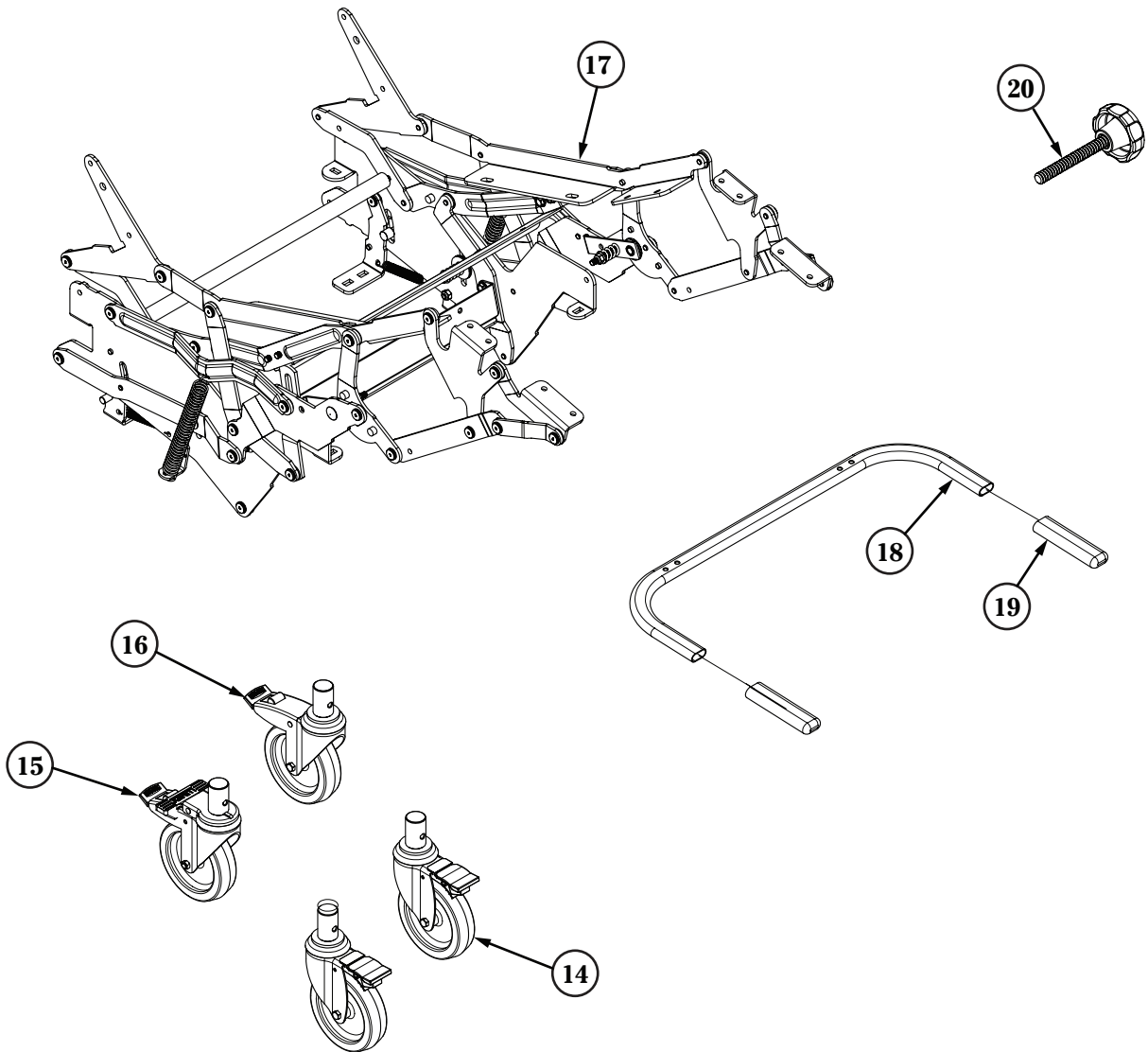


© June 2009, GF Health Products, Inc., All Rights Reserved



	ITEM NUMBER	DESCRIPTION	QTY/UNIT
1A	56601UXXX	Seat Upholstery	1 each
1B	56601UXXXFR	Seat Upholstery (CA-133 Fire Rated)	1 each
2A	56602UXXX	Back Upholstery	1 each
2B	56602UXXXFR	Back Upholstery (CA-133 Fire Rated)	1 each
3A	56603UXXX	Footrest Upholstery	1 each
3B	56603UXXXFR	Footrest Upholstery (CA-133 Fire Rated)	1 each
4A	56604UXXX	Legrest Upholstery	1 each
4B	56604UXXXFR	Legrest Upholstery (CA-133 Fire Rated)	1 each
5A	58735UXXX	Armrest Upholstery	1 each
5B	58735UXXXFR	Armrest Upholstery (CA-133 Fire Rated)	1 each
6	5792A001G	Side Table Assembly	1 each
7	PP830008G	Side Table Top Only	1 each
8	5660A122FR	Side Panel	1 set
9	HP340750	Clevis Pin, Side Table	1 each
10	HS347702	Washer, Side Table	1 each
11	577A216G	Push Handle with Grip	1 each
12	9205	Grip, Push Handle	1 each
13	AP020004-8	Release Push Pin for Side Panel	8/package

# 566G Recliner: Replacement Parts List



	ITEM NUMBER	DESCRIPTION	QTY/UNIT
14	WB170032	Caster Assembly, Front Locking	1 each
15	WB170017	Caster Assembly, Left Rear Locking	1 each
16	WB170034	Caster Assembly, Right Rear Directional Locking	1 each
17	5660A200	Recliner Mechanism	1 each
18	5660C001G	Trendelenburg Release Tube with Hardware	1 each
19	PV860122	Grip, Vinyl, Release Tube	1 pair
20	PP460007	Knob, Back Attachment	1 pair