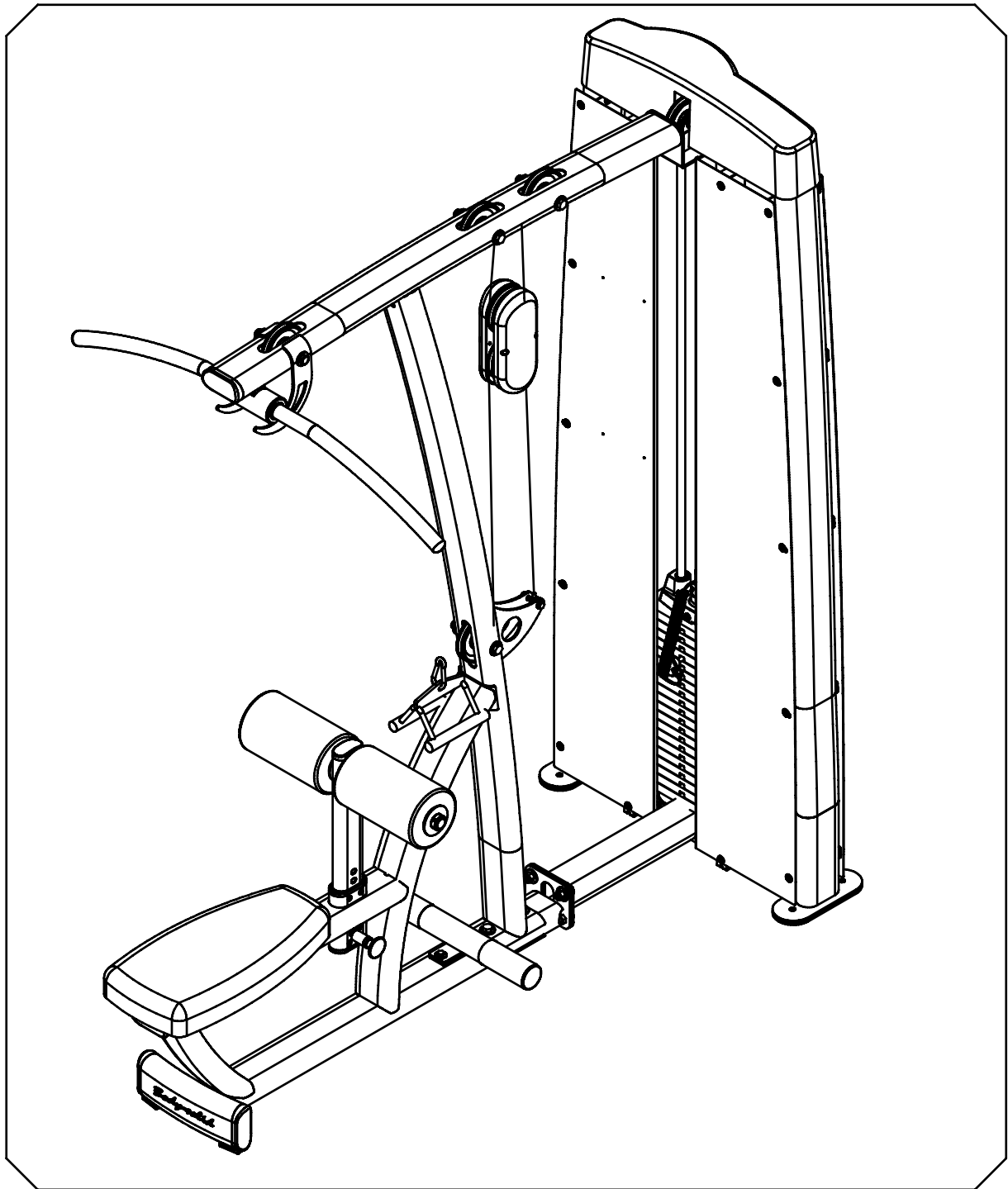


# Body-Solid

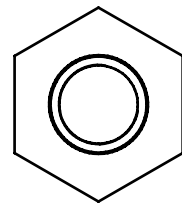
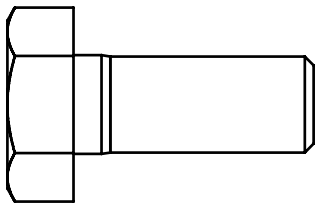


BODY-SOLID, Inc.  
1900 S. Des Plaines Ave.  
Forest Park, IL 60130 USA  
Phone: (708) 427-3555  
Fax: (708) 427-3556  
[www.bodysolid.com](http://www.bodysolid.com)

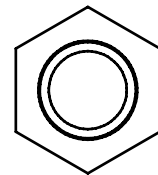
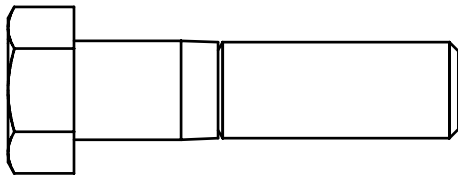
## DLAT OWNER'S MANUAL

# DLAT ASSEMBLY INSTRUCTIONS

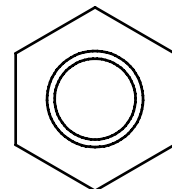
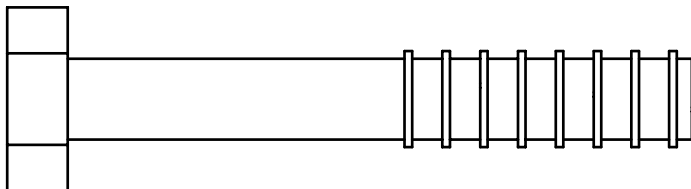
## HARDWARE ILLUSTRATION



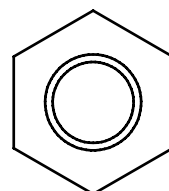
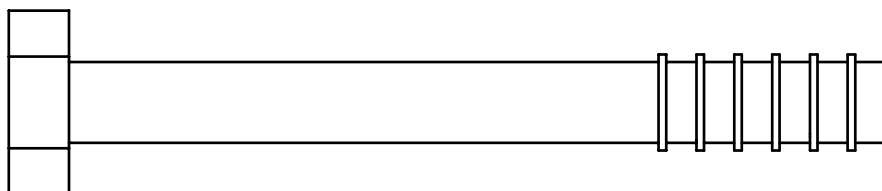
(A1) HEX BOLT 1/2"x1 1/4"L PARTIAL THREAD QTY.2



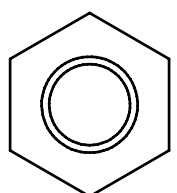
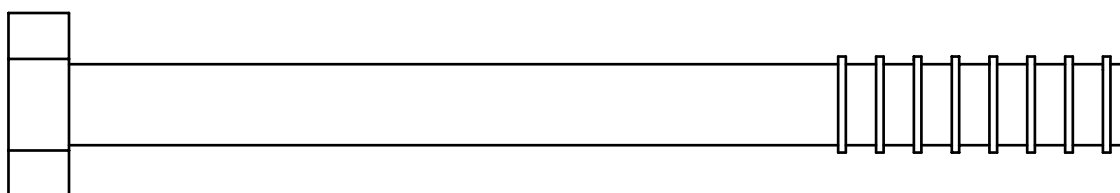
(A2) HEX BOLT 1/2"x2"L PARTIAL THREAD QTY.2



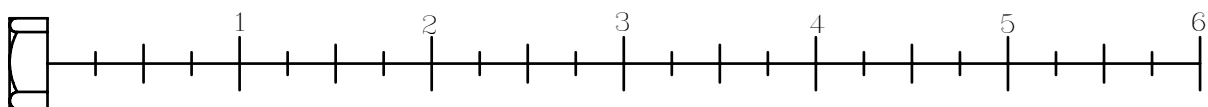
(A3) HEX BOLT 1/2"x3 1/4"L PARTIAL THREAD QTY.1



(A4) HEX BOLT 1/2"x4 1/4"L PARTIAL THREAD QTY.2

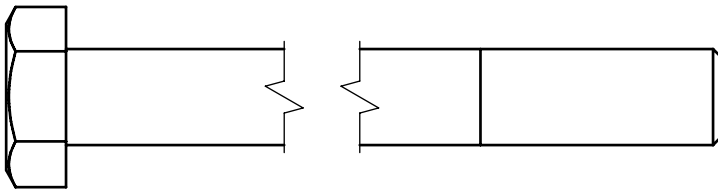


(A5) HEX BOLT 1/2"x5 1/2"L PARTIAL THREAD QTY.3

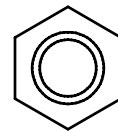
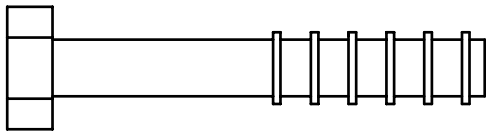


# DLAT ASSEMBLY INSTRUCTIONS

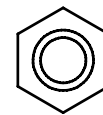
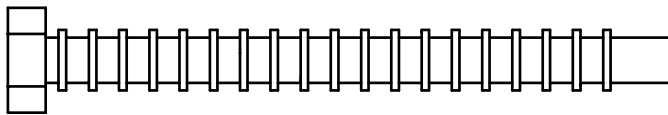
## HARDWARE ILLUSTRATION



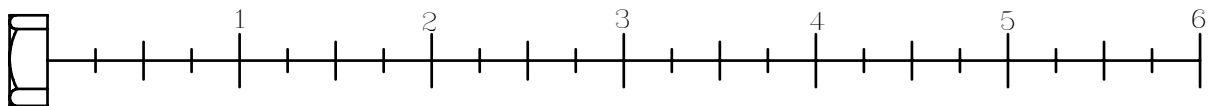
(A6)HEX BOLT 1/2"x5 3/4"L PARTIAL THREAD QTY.1



(A7)HEX BOLT 3/8"x2 1/4"L PARTIAL THREAD QTY.1

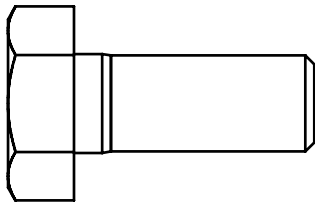


(A9)HEX BOLT 5/16"x3 1/4"L PARTIAL THREAD QTY.2

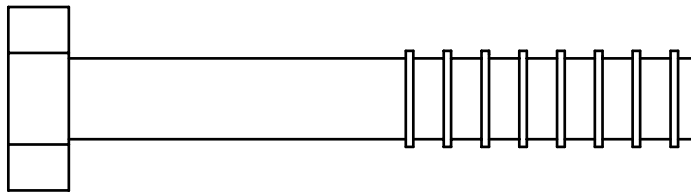
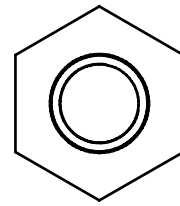


# DLAT ASSEMBLY INSTRUCTIONS

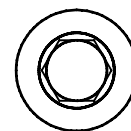
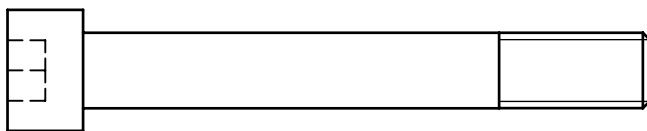
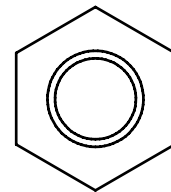
## HARDWARE ILLUSTRATION CONNECT DGYM



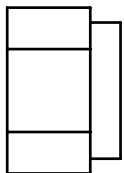
(A10)HEX BOLT 1/2"x1 1/4"L PARTIAL THREAD QTY.4



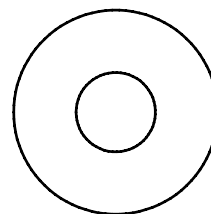
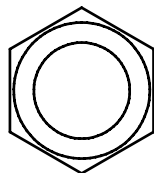
(A11)HEX BOLT 1/2"x3 1/4"L PARTIAL THREAD QTY.1



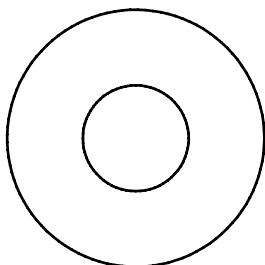
(A21)ROUND ALLEN HEAD M10X75L PARTIAL THREAD QTY.2



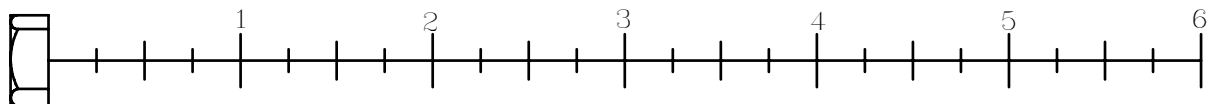
(B1)NYLON LOCK NUT 1/2" QTY.5



(C12)M10(I.D.)FLAT WASHER Ø27 QTY.2



(C1)1/2"(I.D.)FLAT WASHER Ø34 QTY.10

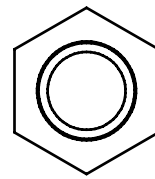
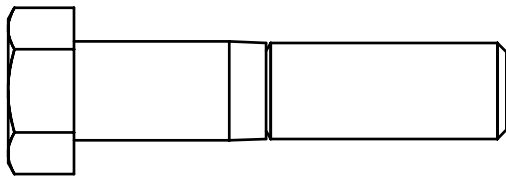


# DLAT ASSEMBLY INSTRUCTIONS

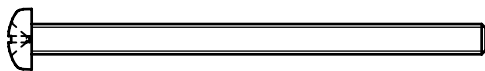
## FRAME HARDWARE ILLUSTRATION



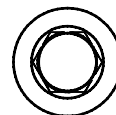
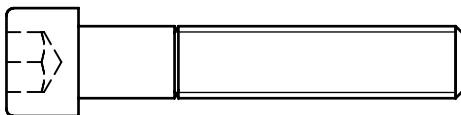
(A12) ALLEN SCREW 5/16" X 3/8" L FULL THREAD QTY. 3



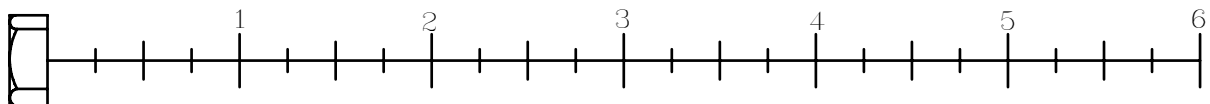
(A13) HEX BOLT 1/2" X 2 1/4" L PARTIAL THREAD QTY. 1



(A14) HEX BOLT M4 X 65 L" L PARTIAL THREAD QTY. 2

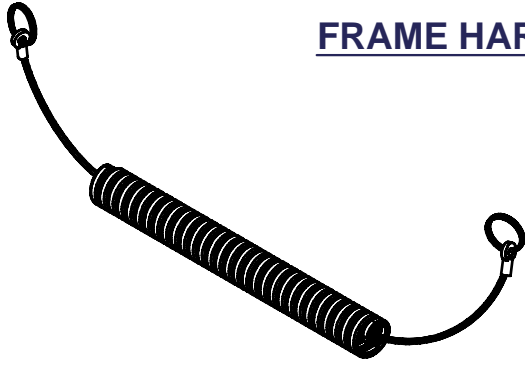


(A15) ROUND ALLEN HEAD 3/8" X 2" L PARTIAL THREAD QTY. 1

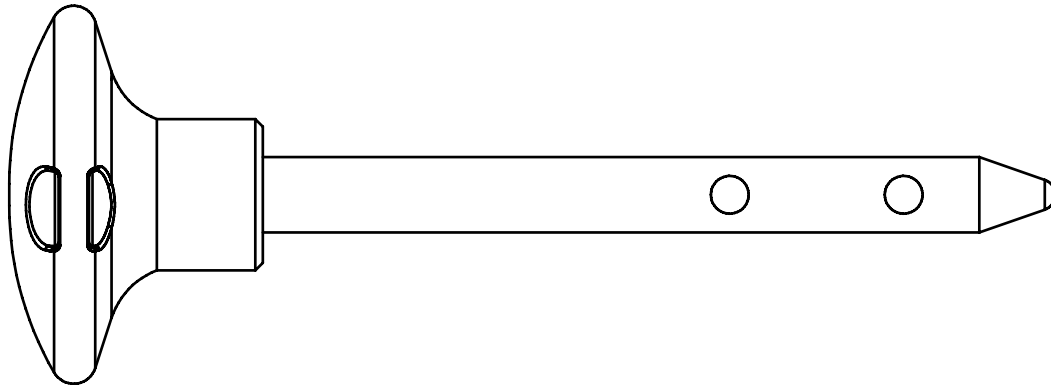


# DLAT ASSEMBLY INSTRUCTIONS

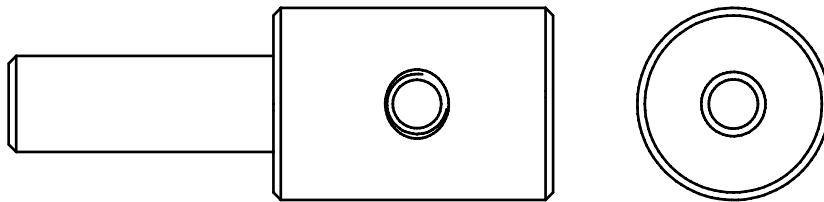
## FRAME HARDWARE ILLUSTRATION



(A16)ELASTIC BOLT QTY.1



(A17)10LB PIN (8250-071) QTY.1



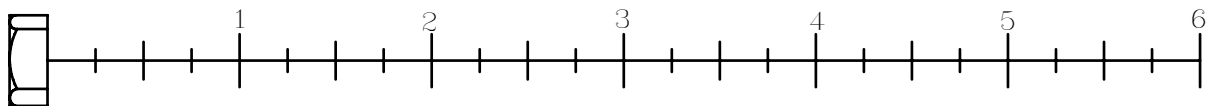
(A18)WEIGHT STACK CABLE (8260-009) QTY.1



(A19)ROUND ALLEN HEAD M6X20L PARTIAL THREAD QTY.24

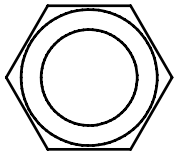


(A20)ROUND ALLEN HEAD 5/32"X1/4"L PARTIAL THREAD QTY.4

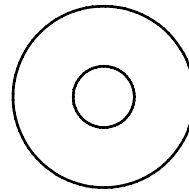
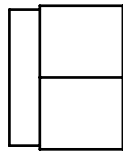


# DLAT ASSEMBLY INSTRUCTIONS

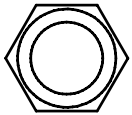
## HARDWARE ILLUSTRATION



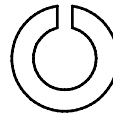
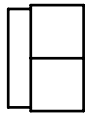
(B2) NYLON LOCK NUT 1/2" QTY.10



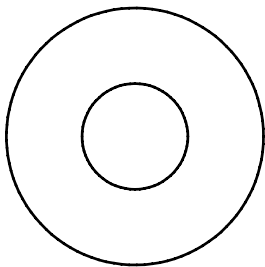
(C5) 5/16" (I.D.) FLAT WASHER Ø24 QTY.2



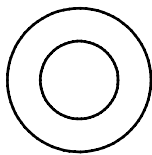
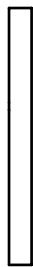
(B3) NYLON LOCK NUT 3/8" QTY.1



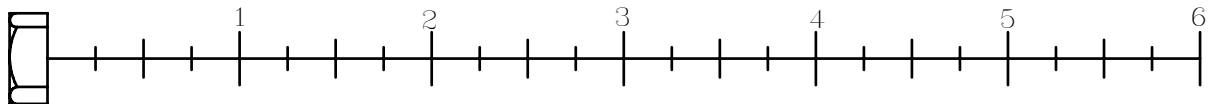
(C6) 5/16" SPRING WASHER QTY.2



(C3) 1/2" (I.D.) FLAT WASHER Ø34 QTY.21

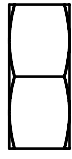
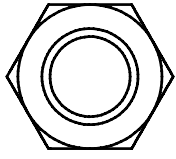


(C4) 3/8" (I.D.) FLAT WASHER Ø19 QTY.2

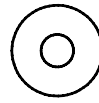


# DLAT ASSEMBLY INSTRUCTIONS

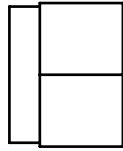
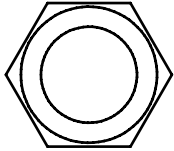
## FRAME HARDWARE ILLUSTRATION



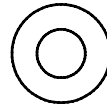
(B4) NYLON LOCK NUT 1/2" X 13 UNC X 8 T QTY. 1



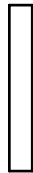
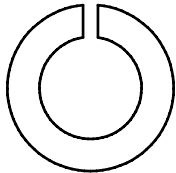
(C10) M4 (I.D.) FLAT WASHER Ø12 QTY. 2



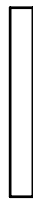
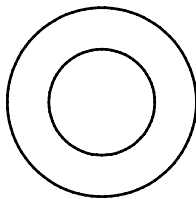
(B5) NYLON LOCK NUT 1/2" QTY. 1



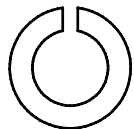
(C11) M6 (I.D.) FLAT WASHER Ø13 QTY. 24



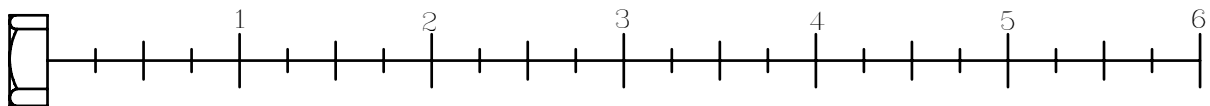
(C7) 1/2" SPRING WASHER QTY. 1



(C8) 1/2" (I.D.) FLAT WASHER Ø25 QTY. 2



(C9) 3/8" SPRING WASHER QTY. 1





# DLAT ASSEMBLY INSTRUCTIONS

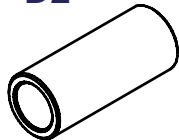
## HARDWARE ILLUSTRATION

D1.Ø3/4"X16L STEEL BUSHING (8110-066)	[2PCS]
D2.Ø3/4"X45L STEEL BUSHING (8110-067)	[8PCS]
D3.Ø1" SHAFT COLLAT(8130-024)	[2PCS]
D4.Ø8 SPRING SNAP LINK(8810-001)	[2PCS]
D5.Ø1" END CAP(9211-016)	[2PCS]
D6.Ø60 END CAP(9211-065)	[2PCS]
D7.50X100(40X80)NYLON BUSHING(9211-107)	[2PCS]
D8.58X116X2.5T FOOT CAP(9211-108)	[2PCS]
D9.COVER(9211-110)	[2PCS]
D10.58X116 END CAP(9211-112)	[2PCS]
D11.40X80 END CAP(9211-113)	[2PCS]
D12. 3" Nylon Washer (9214-008)	[4PCS]
D13. Ø1"x2.5t Round End Cap(9260-021)	[2PCS]
D14.Ø3/4" SHAFT COLLAR(9211-046)	[2PCS]
D15.Ø2 1/2"X19.2X19.4T RUBBER DOUNT(9310-010)	[2PCS]
D16.95X140L RUBBER PAD(9310-035)	[3PCS]
D17.95X250 RUBBER PAD(9310-060)	[2PCS]

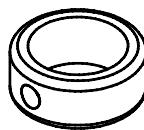
D1



D2



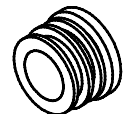
D3



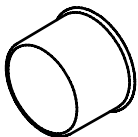
D4



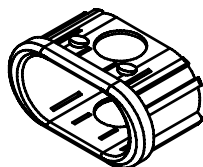
D5



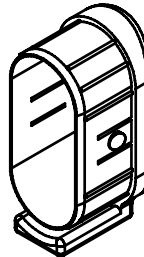
D6



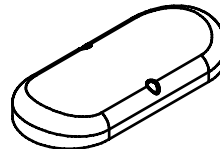
D7



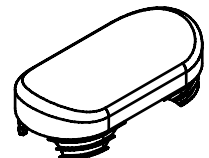
D8



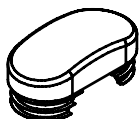
D9



D10



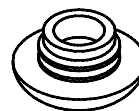
D11



D12



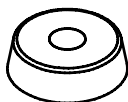
D13



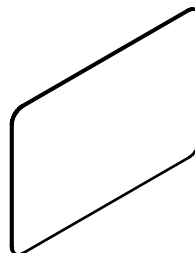
D14



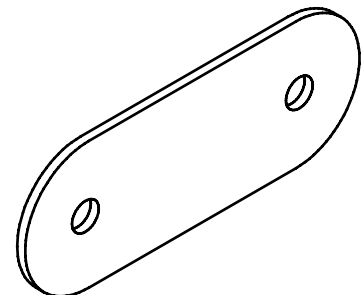
D15



D16



D17

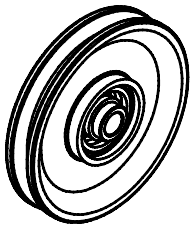


# DLAT ASSEMBLY INSTRUCTIONS

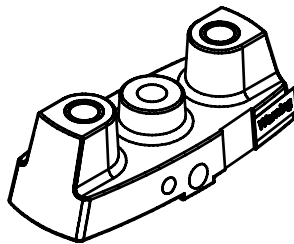
## HARDWARE ILLUSTRATION

D18.Ø117 PULLEY(9213-010B)-----	[8PCS]
D19.TOP PLATE(8400-006)-----	[1PCS]
D20.WEIGHT SELECTOR BAR(8210-042)-----	[1PCS]
D21.1975mm STEEL CABLE(FDLATA)-----	[1PCS]
D22.3270mm STEEL CABLE(FDLATB)-----	[1PCS]
D23.DLAT For DGYM Steel Cable(FDLATC)-----	[1PCS]

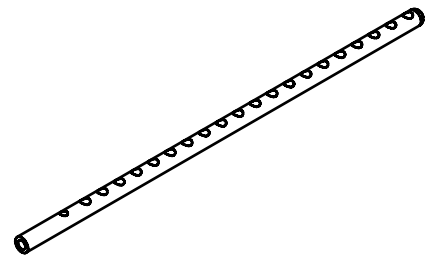
D18



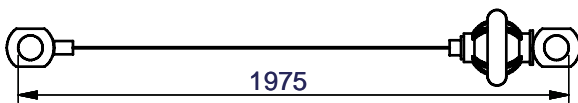
D19



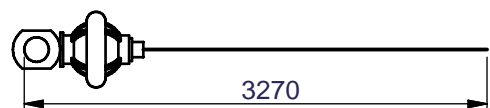
D20



D21



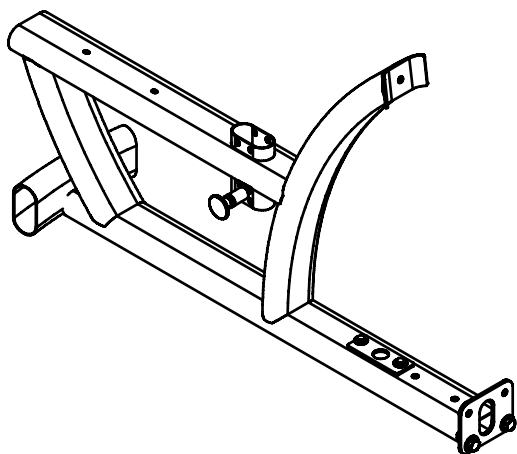
D22



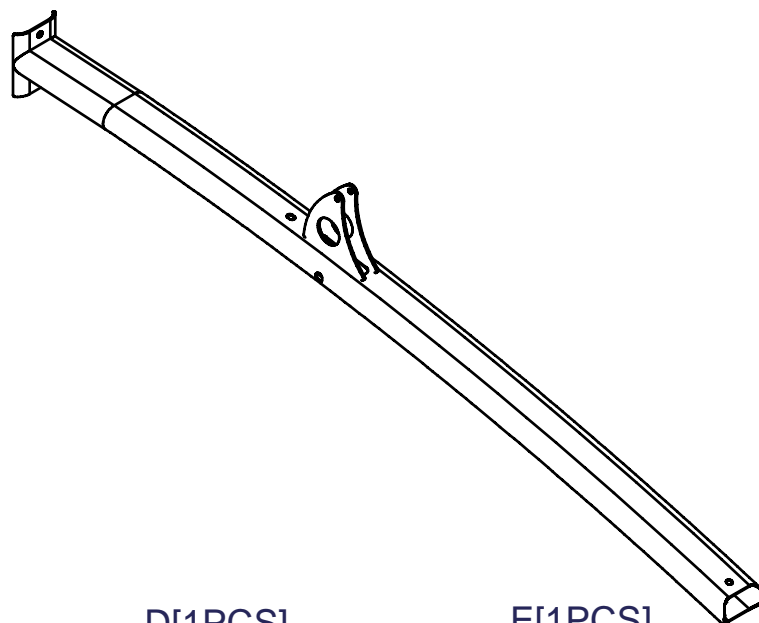
# DLAT ASSEMBLY INSTRUCTIONS

## PARTS ILLUSTRATION SHEET

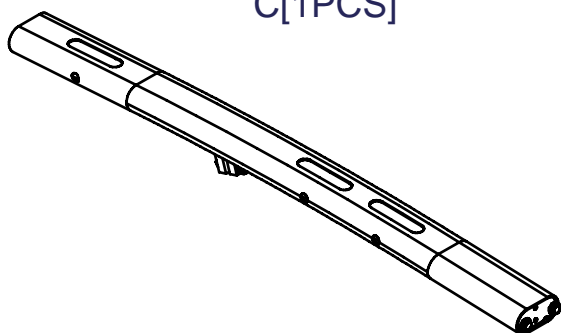
A[1PCS]



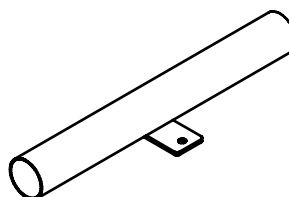
B[1PCS]



C[1PCS]



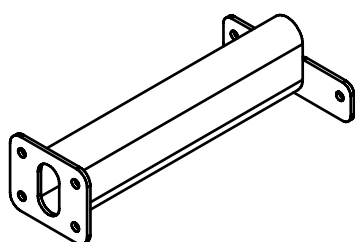
D[1PCS]



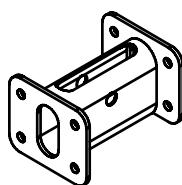
E[1PCS]



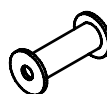
F[1PCS]



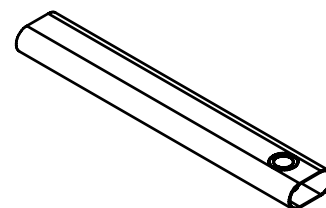
G[1PCS]  
CONNECT DGM



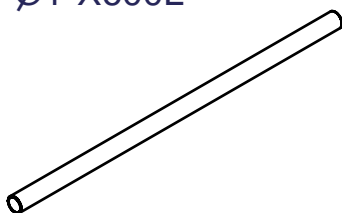
H[2PCS]



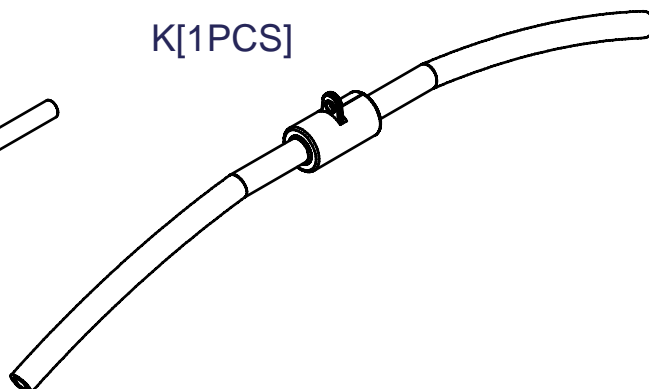
I[1PCS]



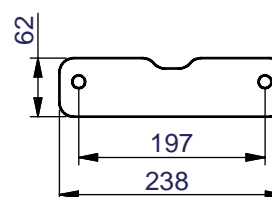
J[1PCS]  
Ø1"X600L



K[1PCS]



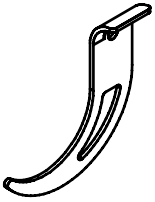
L[1PCS]  
8313-130



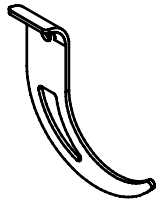
# DLAT ASSEMBLY INSTRUCTIONS

## PARTS ILLUSTRATION SHEET

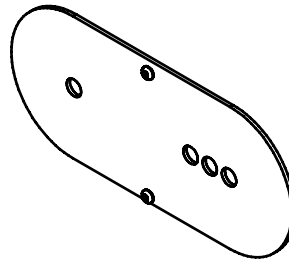
M[1PCS]  
8343-146



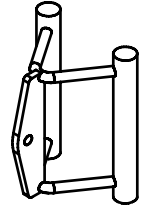
N[1PCS]  
8343-147



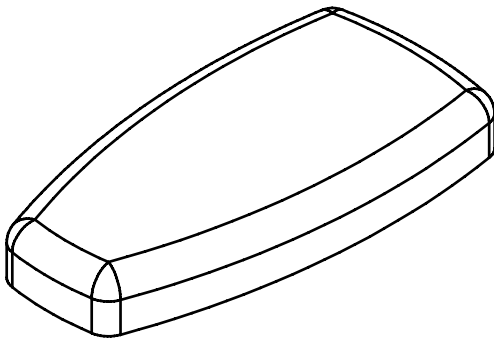
O[2PCS]  
8343-140



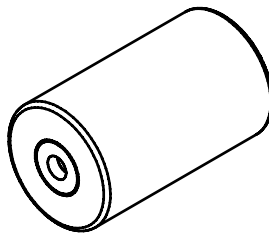
P[1PCS]  
8290-001



Q[1PCS]  
9121-054



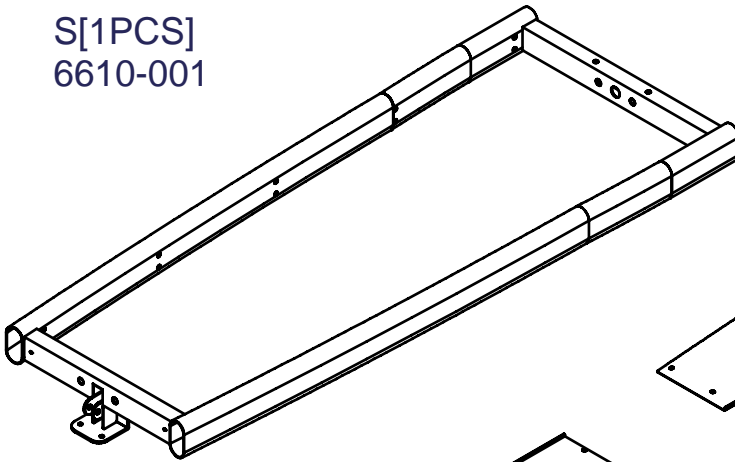
R[2PCS]  
9161-021B  
Ø150X250L



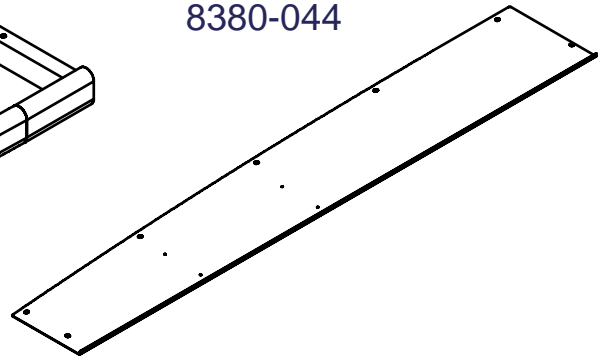
# DLAT ASSEMBLY INSTRUCTIONS

## FRAME PARTS ILLUSTRATION SHEET

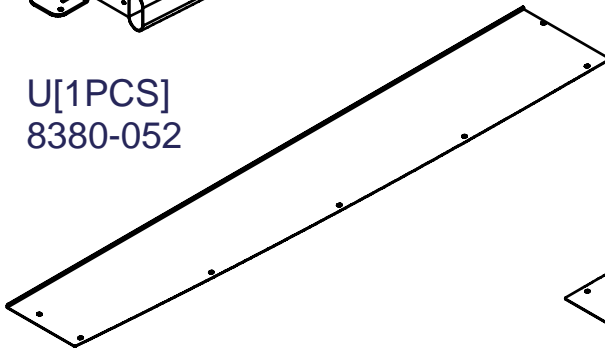
S[1PCS]  
6610-001



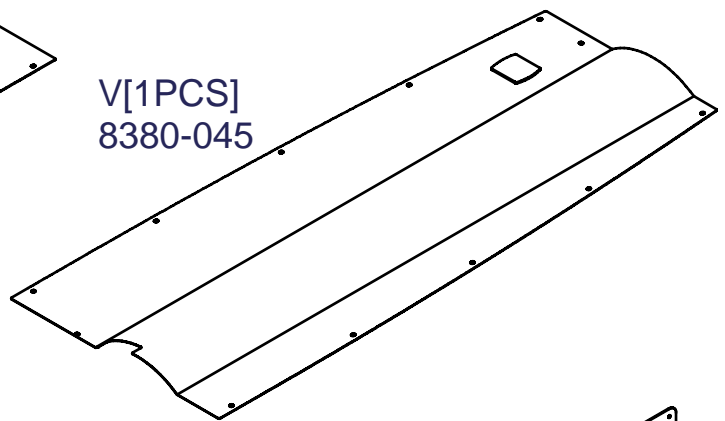
T[1PCS]  
8380-044



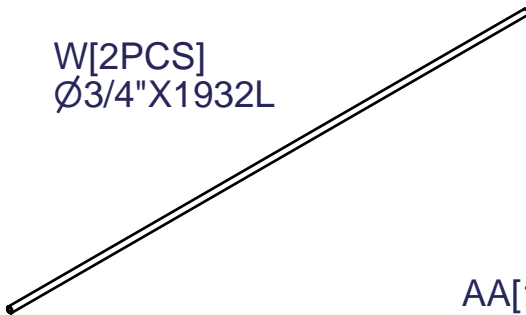
U[1PCS]  
8380-052



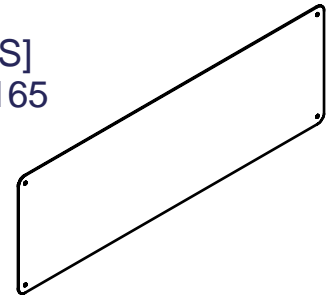
V[1PCS]  
8380-045



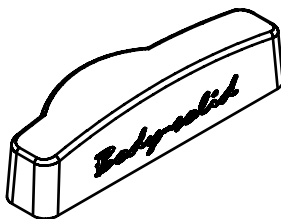
W[2PCS]  
Ø3/4"X1932L



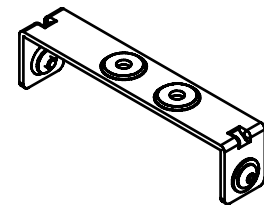
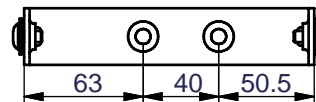
Z[1PCS]  
9440-165



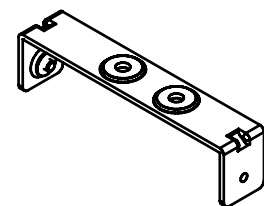
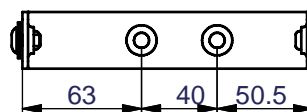
X[1PCS]  
9211-111



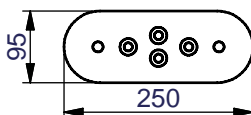
AA[12PCS]  
8321-040  
both side



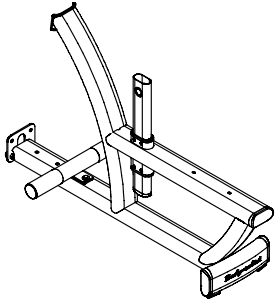
AB[2PCS]  
8321-040  
one side



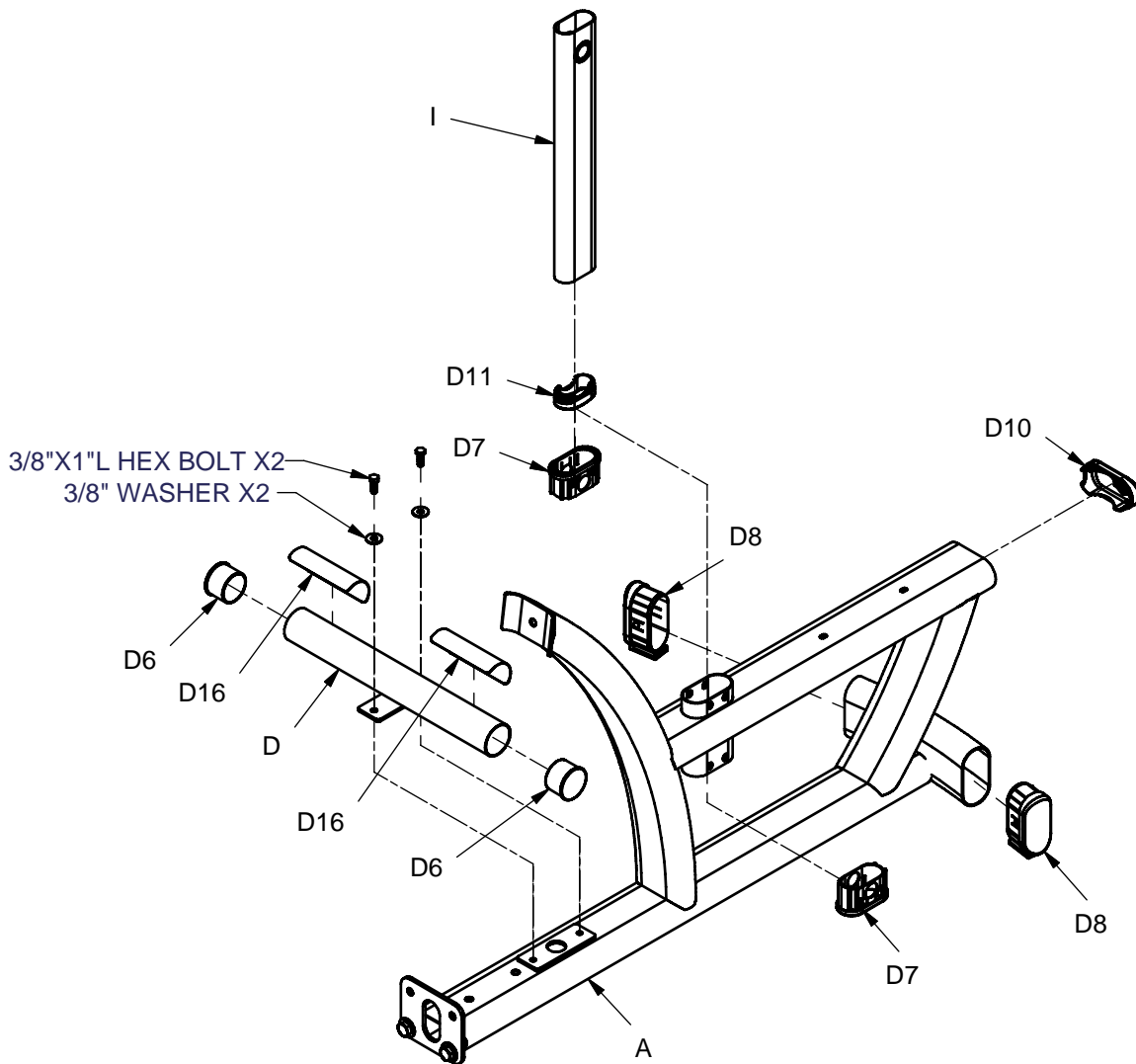
Y[2PCS]  
8313-144



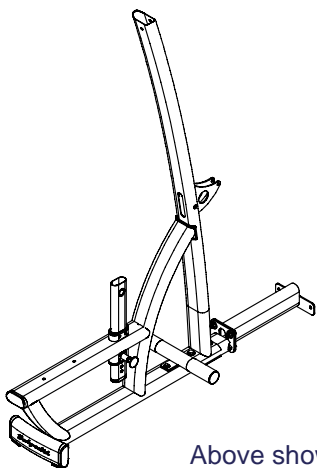
# DLAT ASSEMBLY INSTRUCTIONS



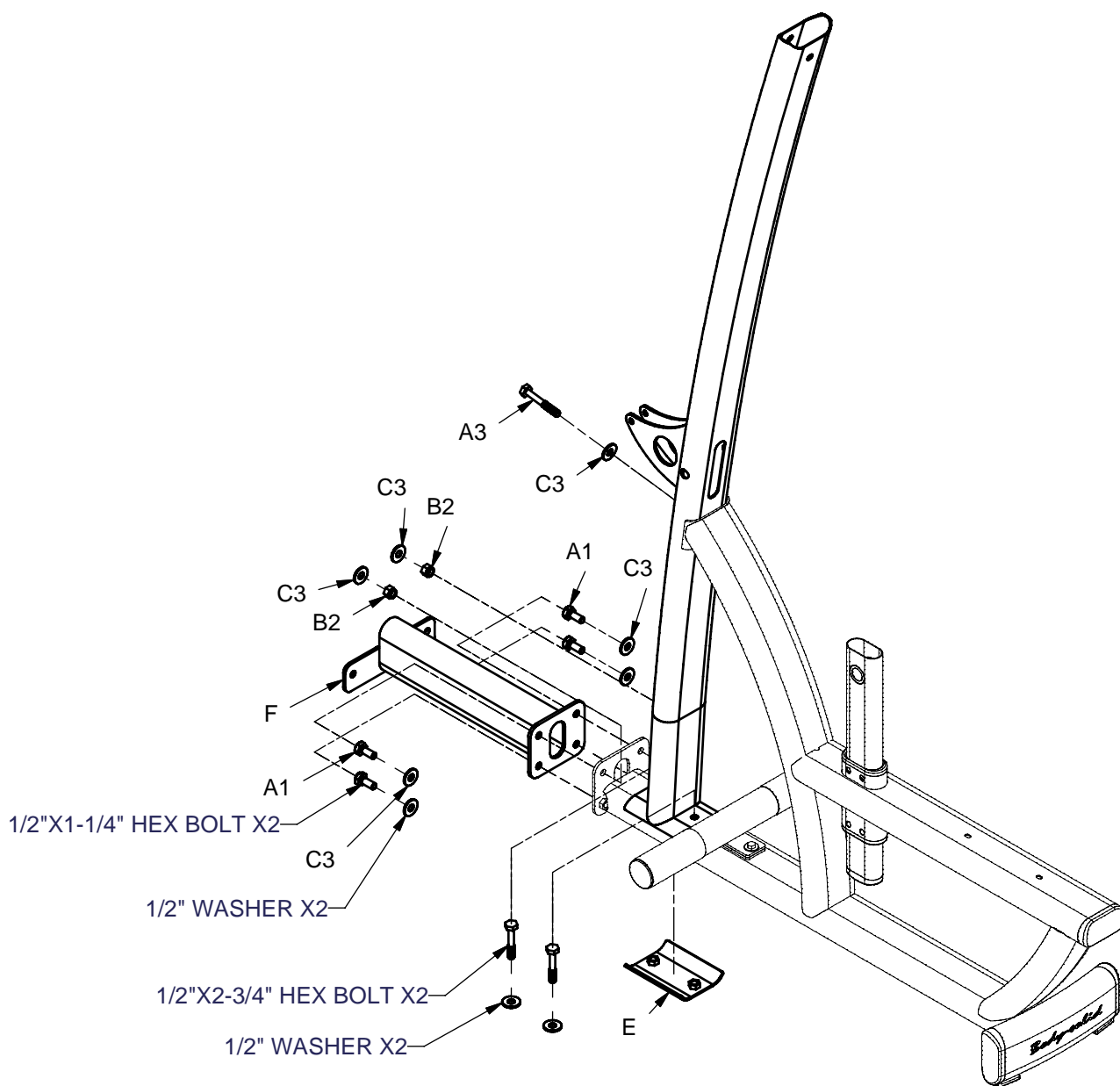
Above shows STEP 1  
assembled and completed



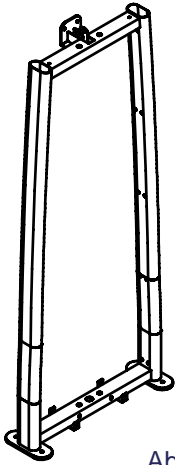
# DLAT ASSEMBLY INSTRUCTIONS



Above shows STEP 2  
assembled and completed

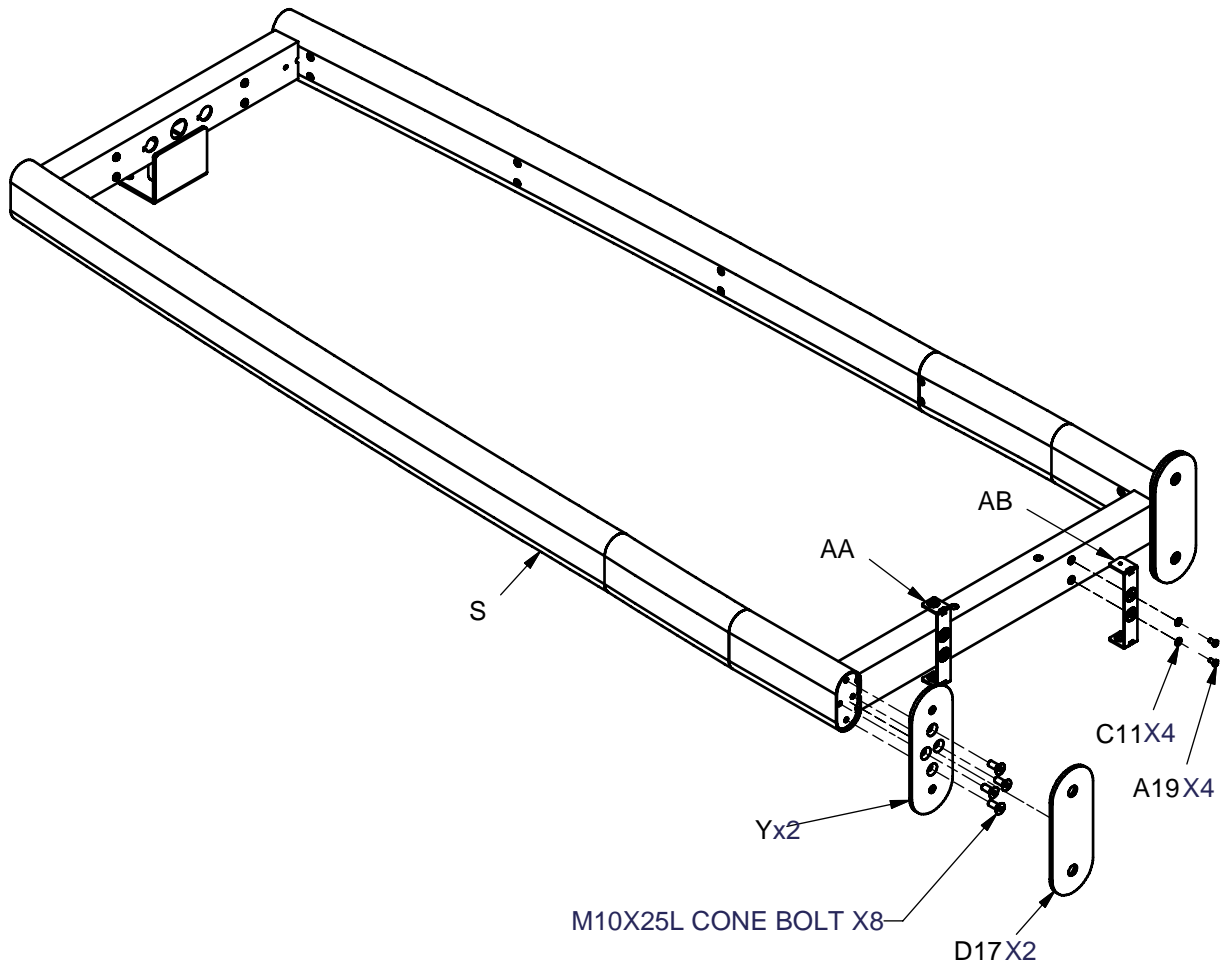


# DLAT ASSEMBLY INSTRUCTIONS



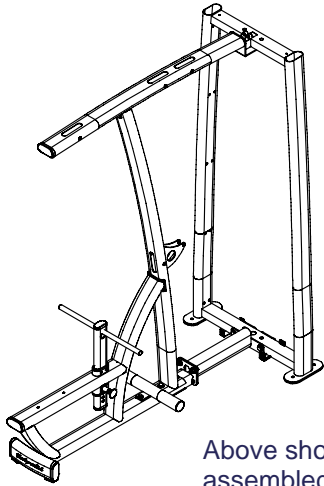
Above shows STEP 3  
assembled and completed

## DLAT single weight stack assembly instructions

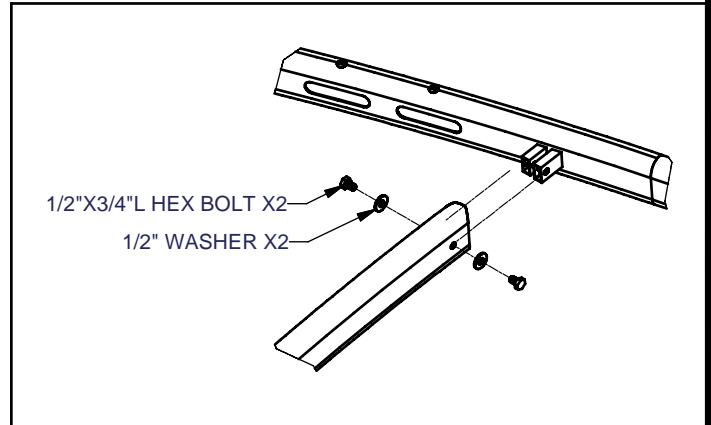




# DLAT ASSEMBLY INSTRUCTIONS

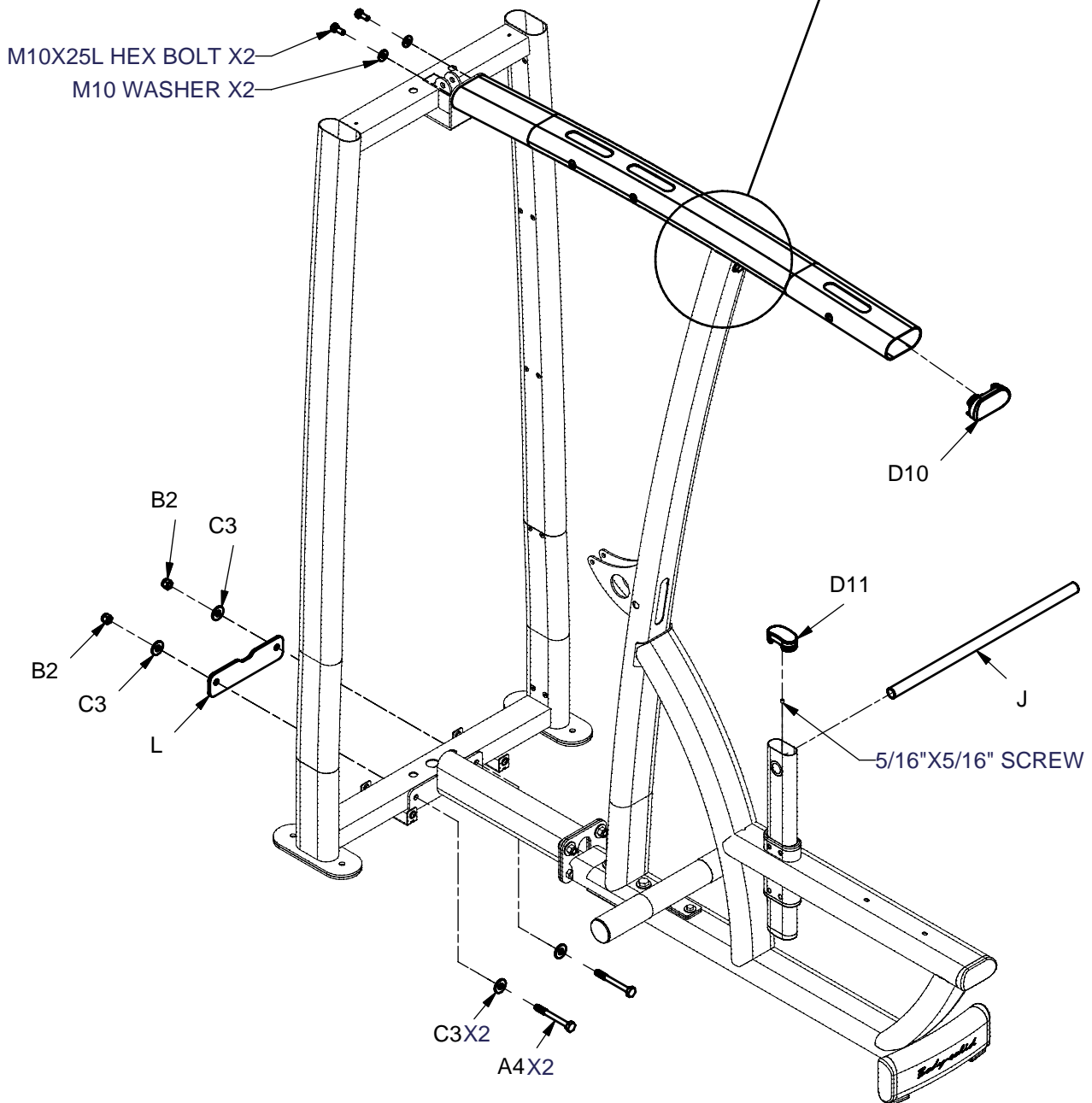


Above shows STEP 4 assembled and completed

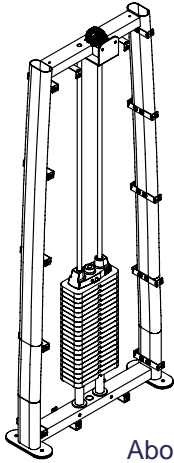


1/2"X3/4"L HEX BOLT X2

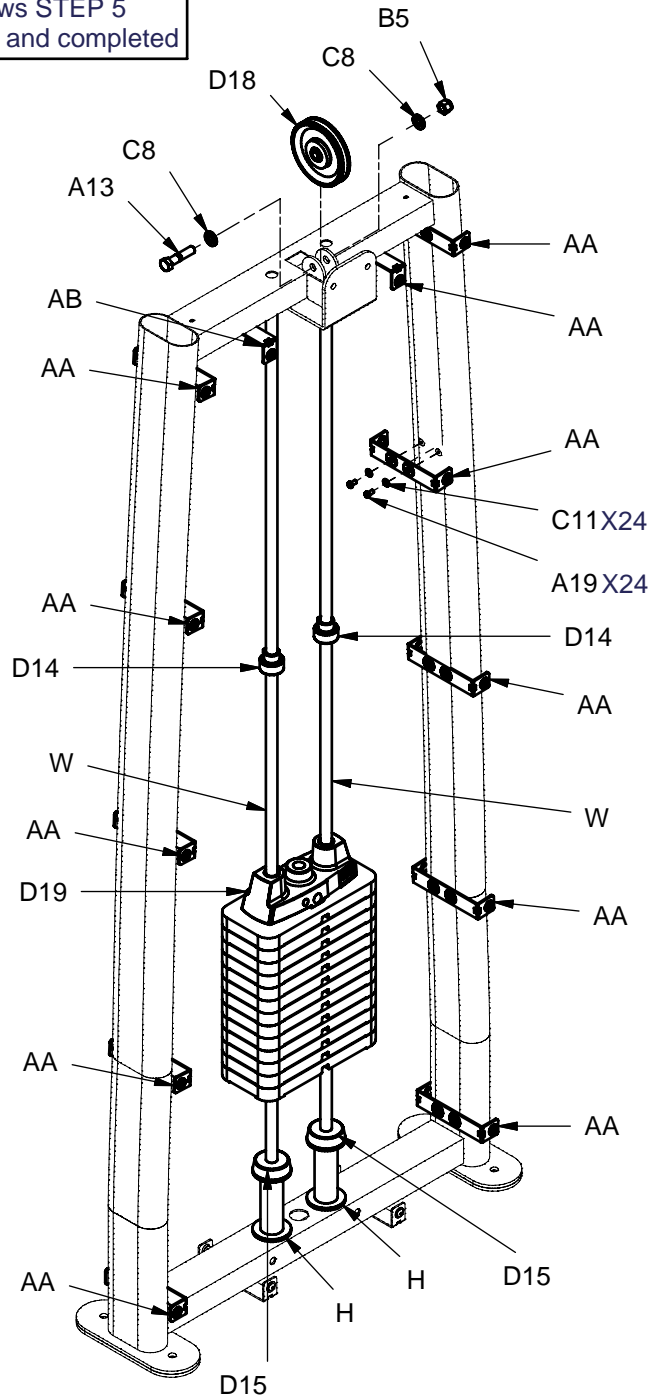
1/2" WASHER X2



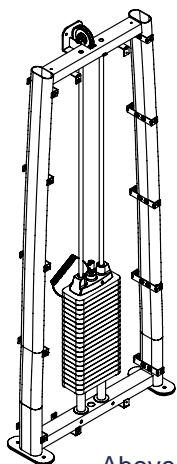
# DLAT ASSEMBLY INSTRUCTIONS



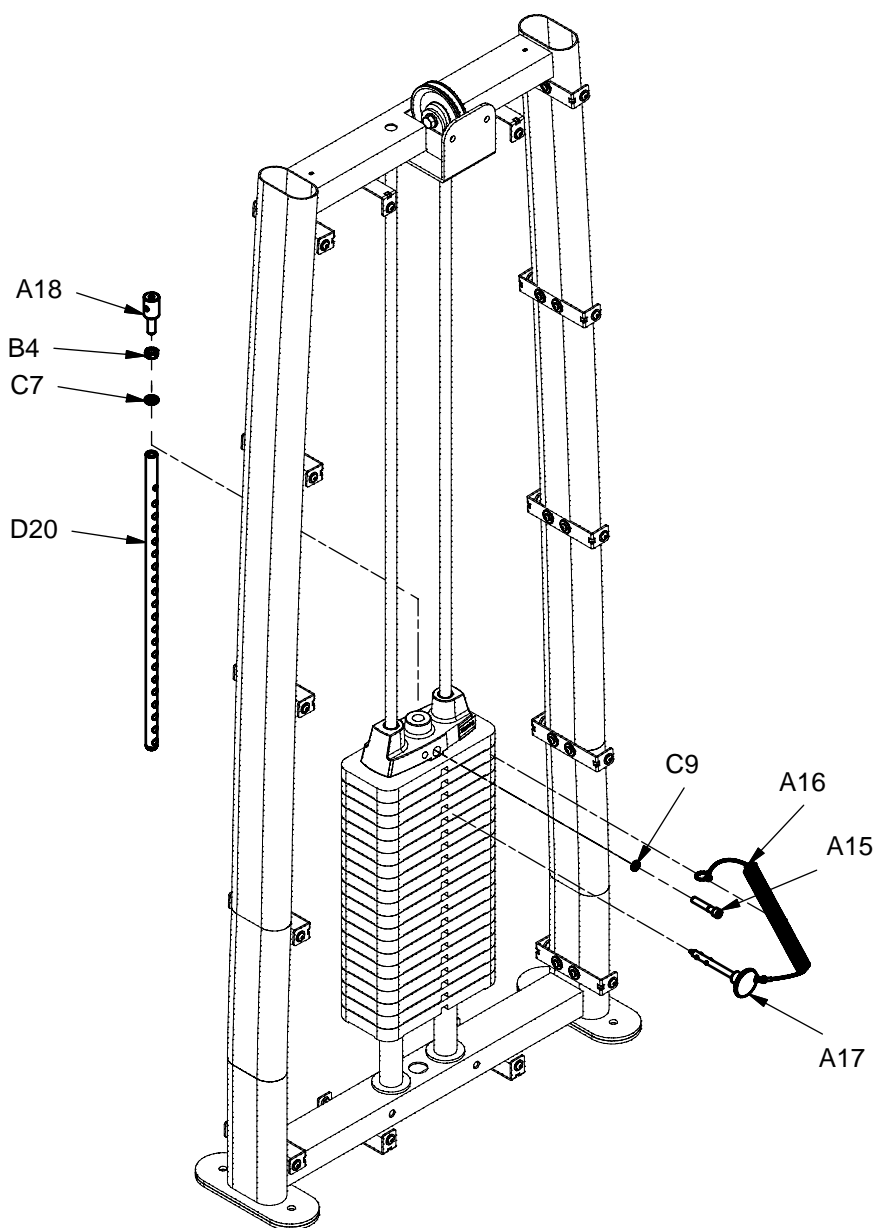
Above shows STEP 5 assembled and completed



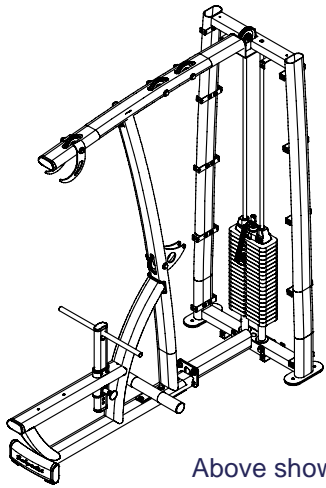
# DLAT ASSEMBLY INSTRUCTIONS



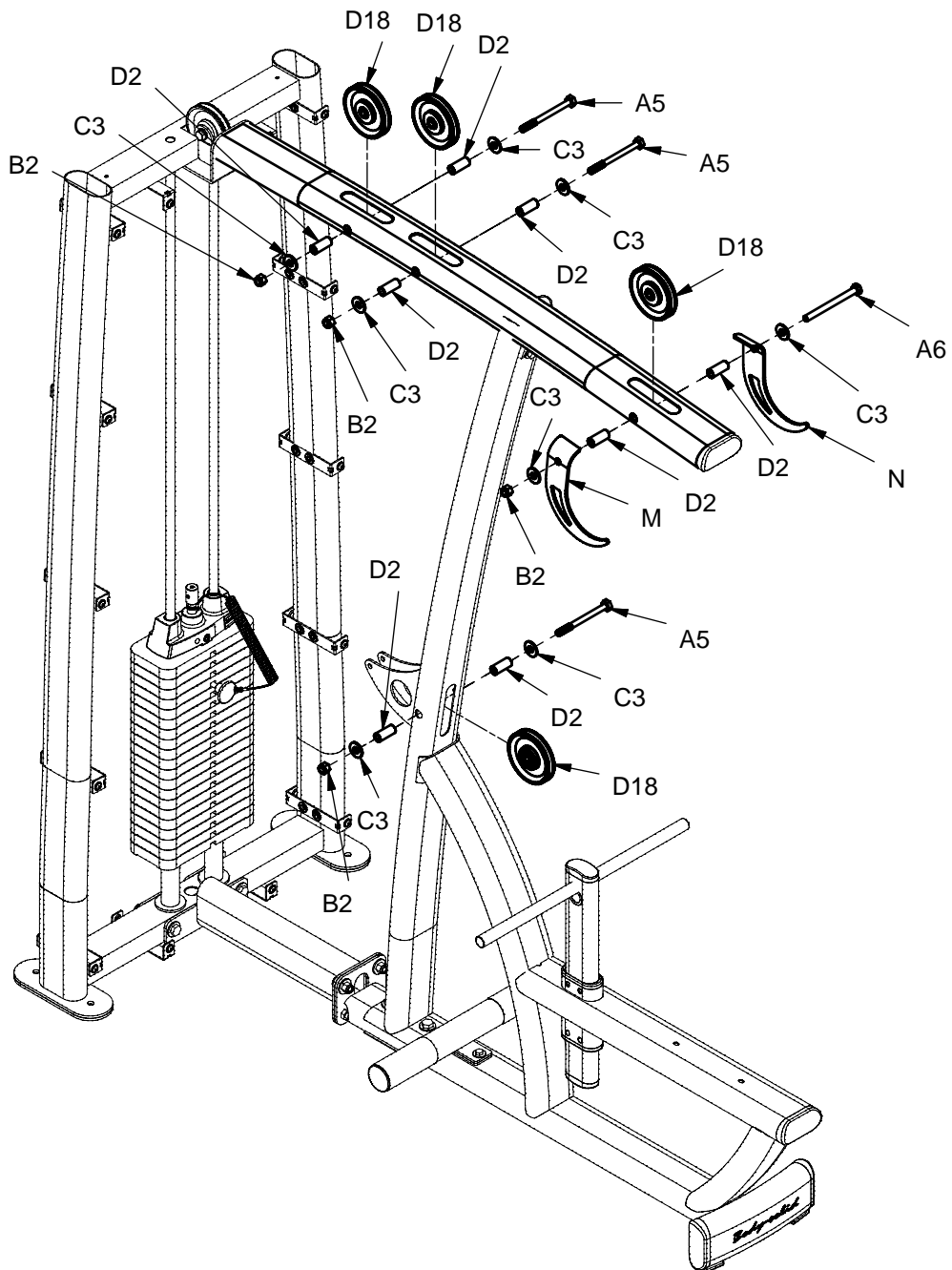
Above shows STEP 6  
assembled and completed



# DLAT ASSEMBLY INSTRUCTIONS

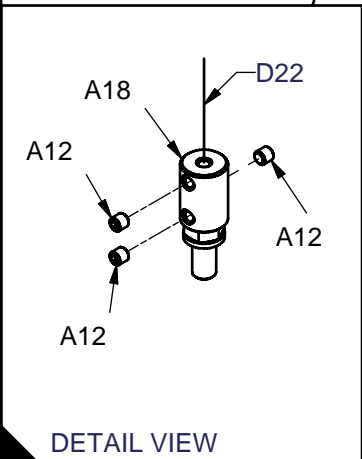
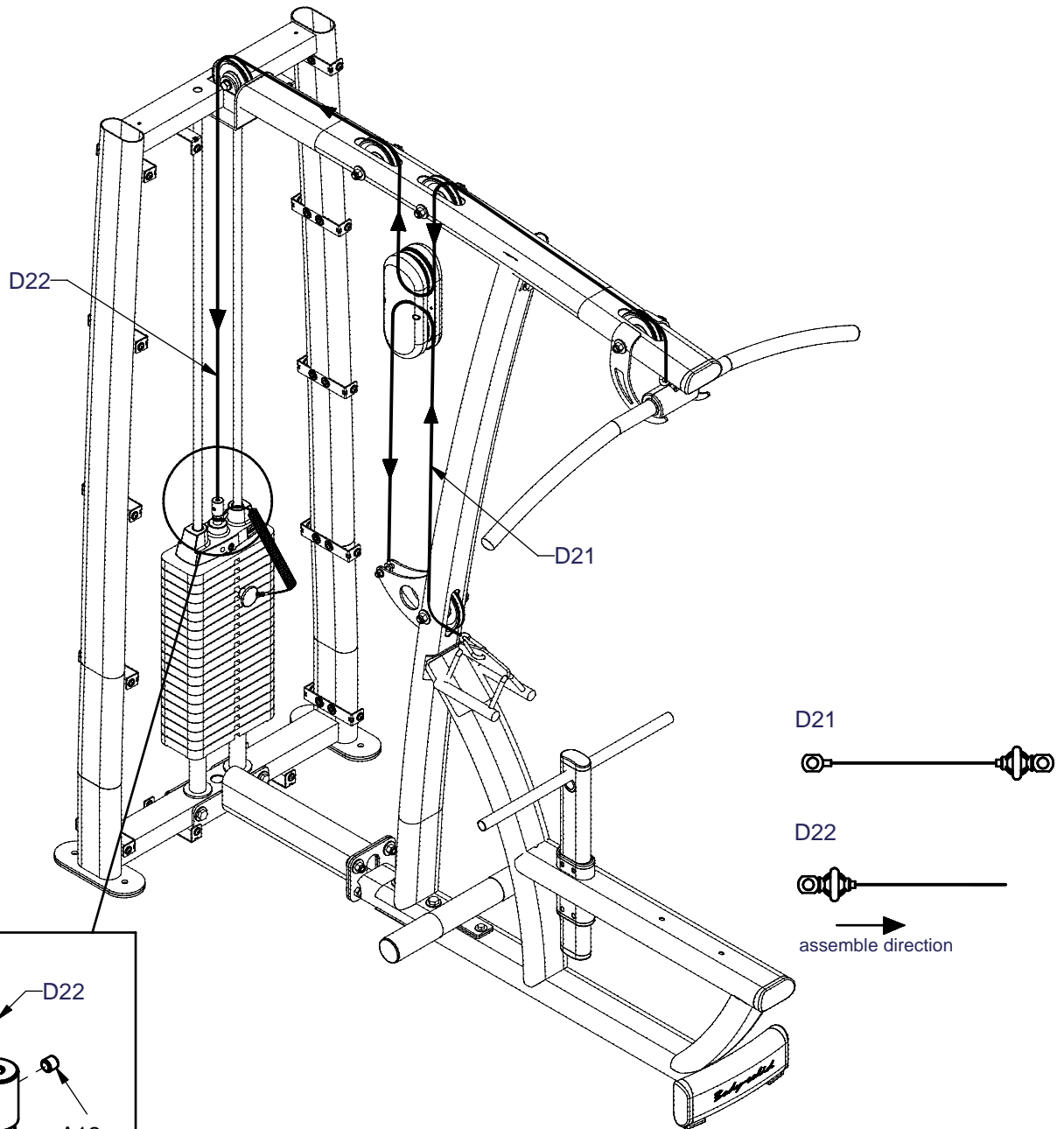


Above shows STEP 7  
assembled and completed



# DLAT ASSEMBLY INSTRUCTIONS

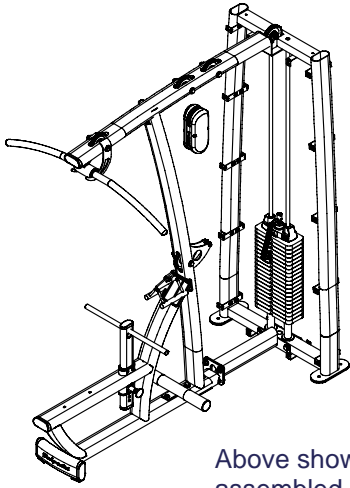
Cable to match illustration



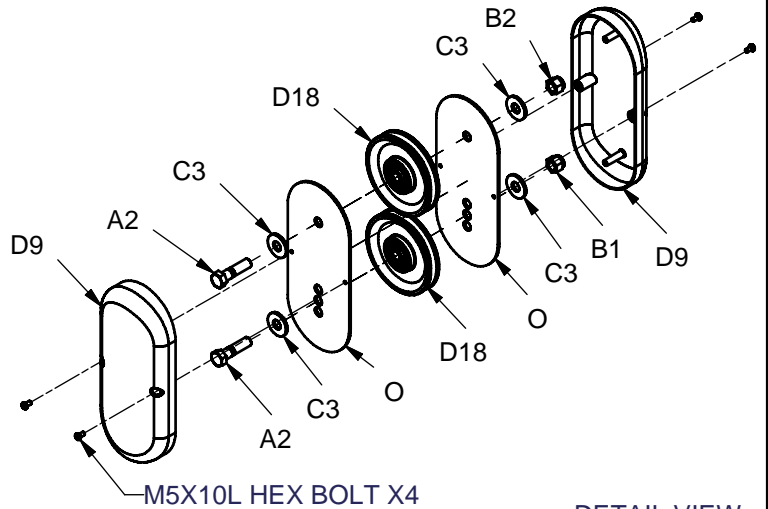
DLAT-102006



# DLAT ASSEMBLY INSTRUCTIONS

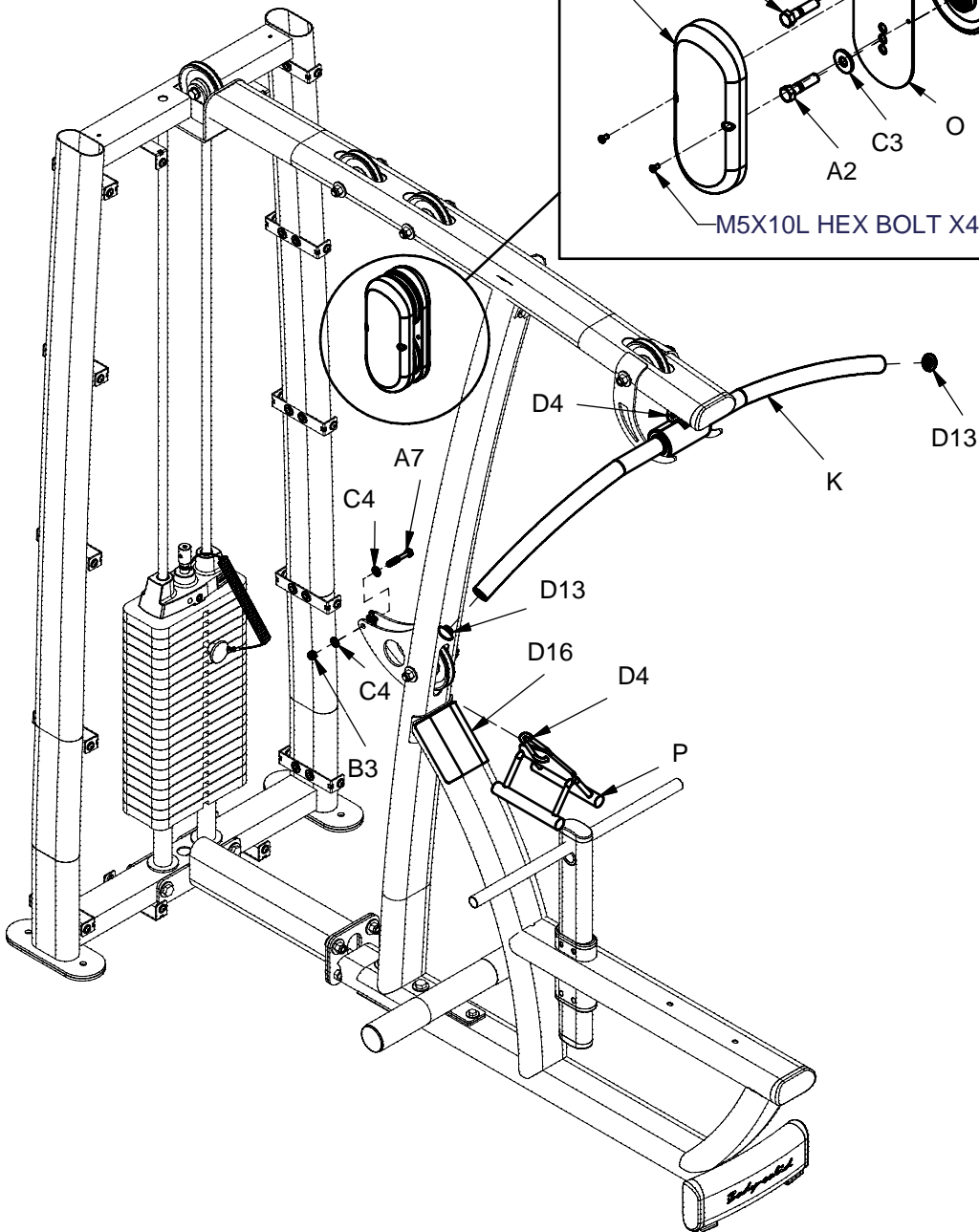


Above shows STEP 8 assembled and completed

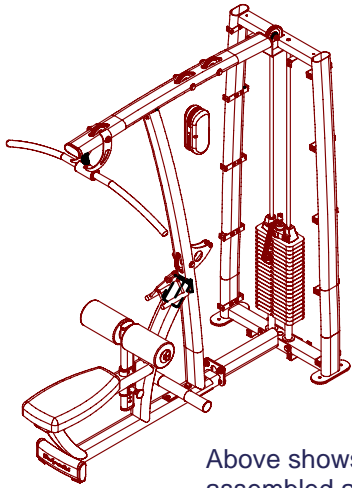


M5X10L HEX BOLT X4

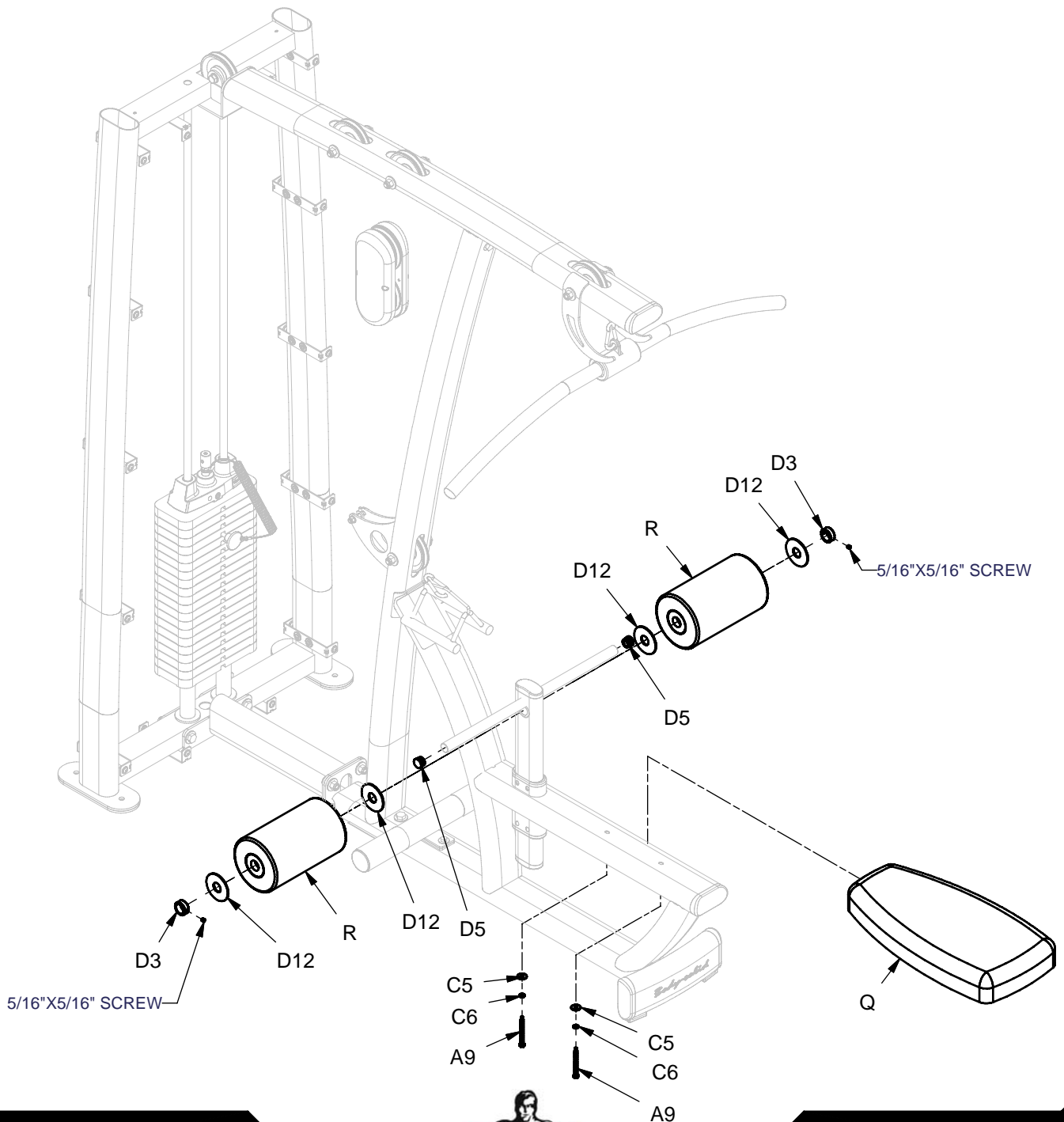
DETAIL VIEW



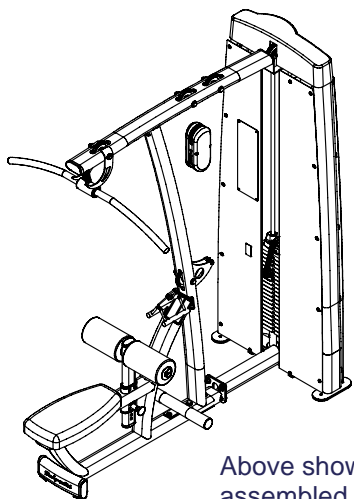
# DLAT ASSEMBLY INSTRUCTIONS



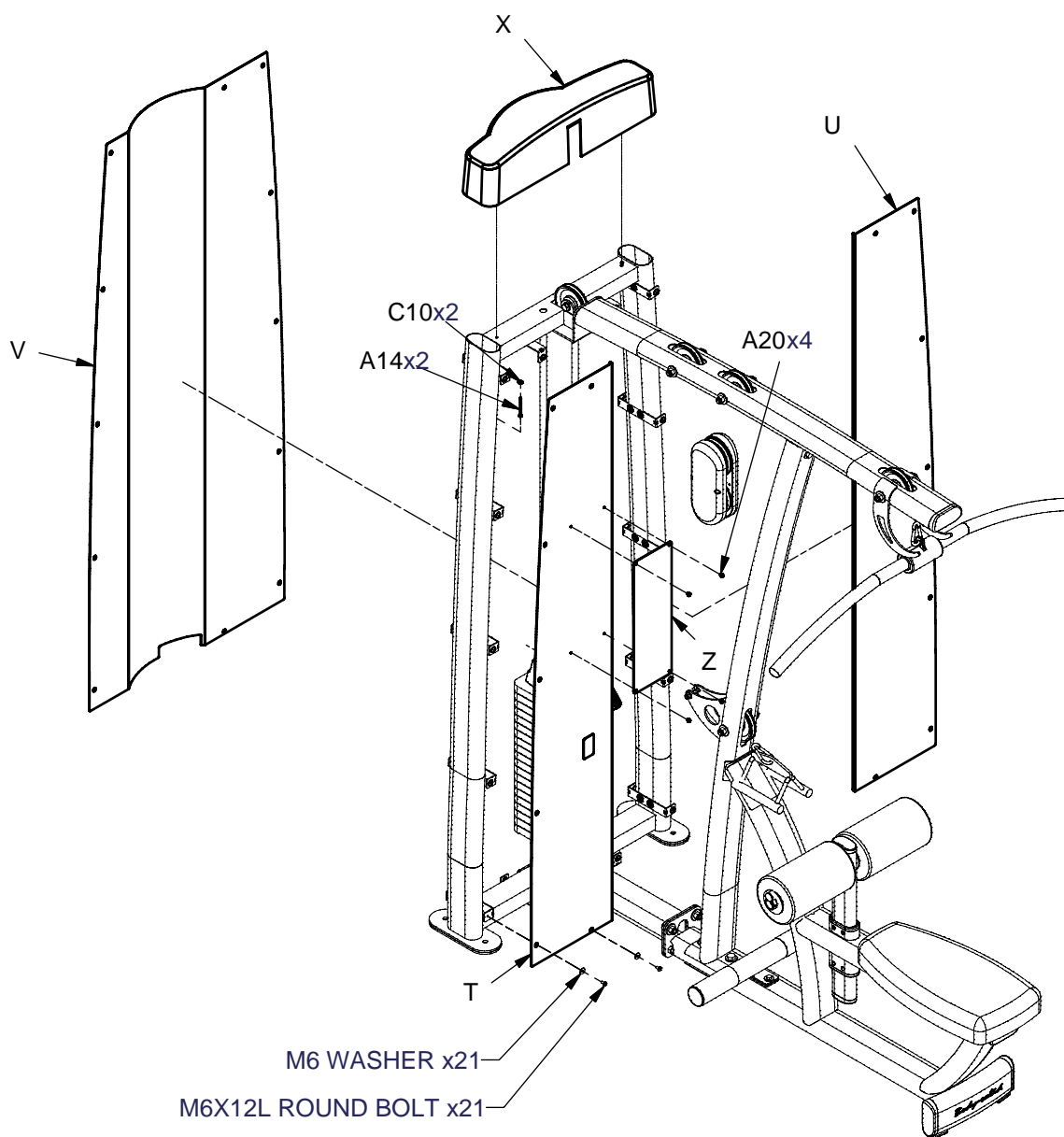
Above shows STEP 9 assembled and completed



# DLAT ASSEMBLY INSTRUCTIONS



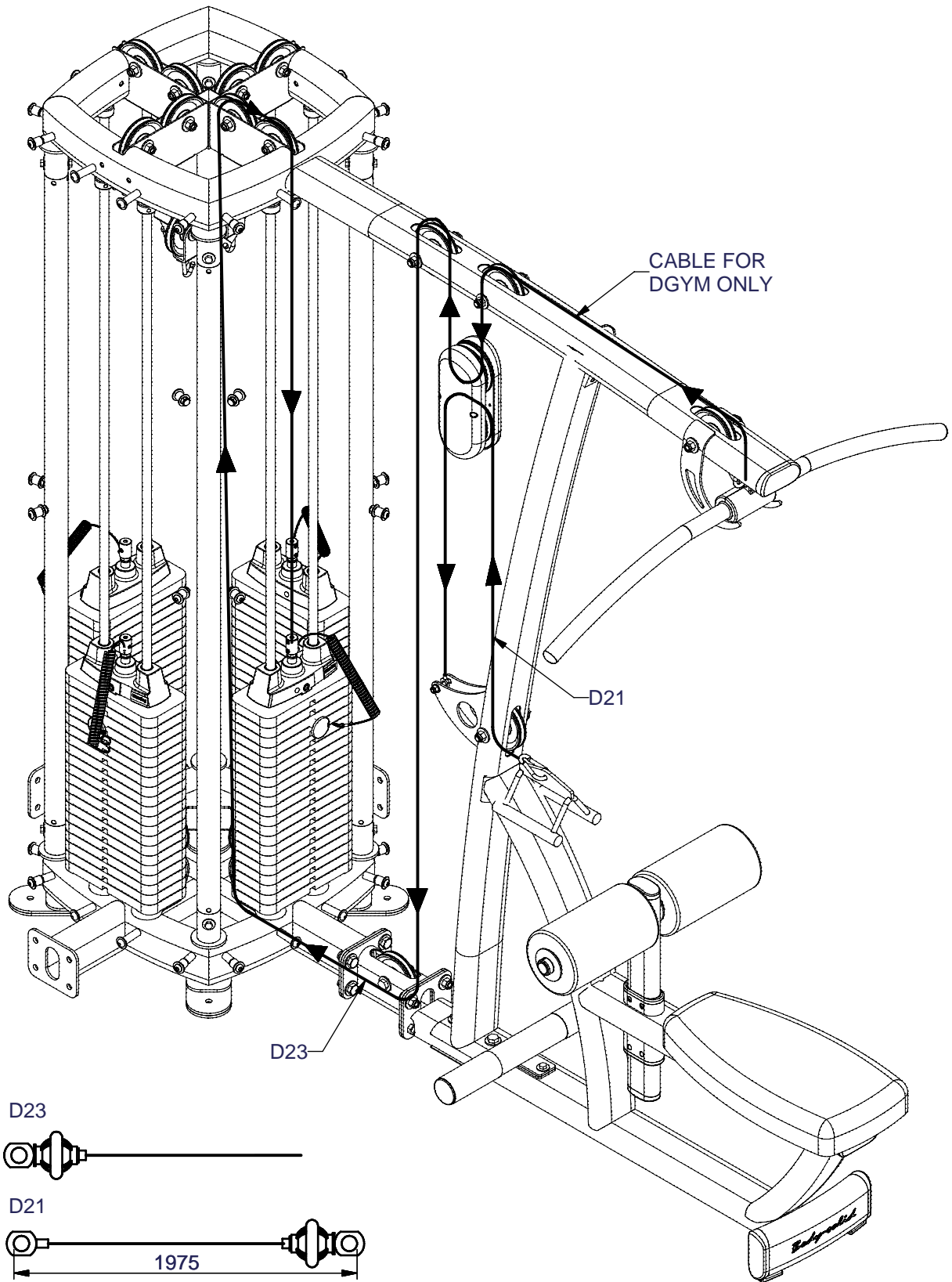
Above shows STEP 10  
assembled and completed



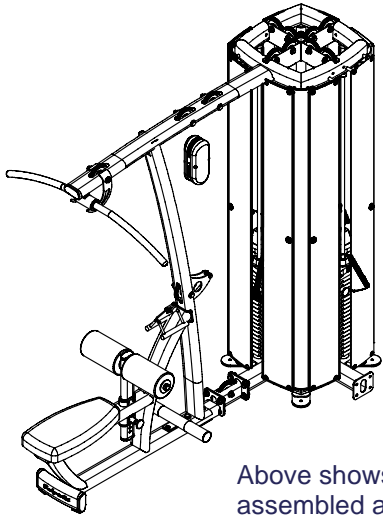


# DLAT ASSEMBLY INSTRUCTIONS

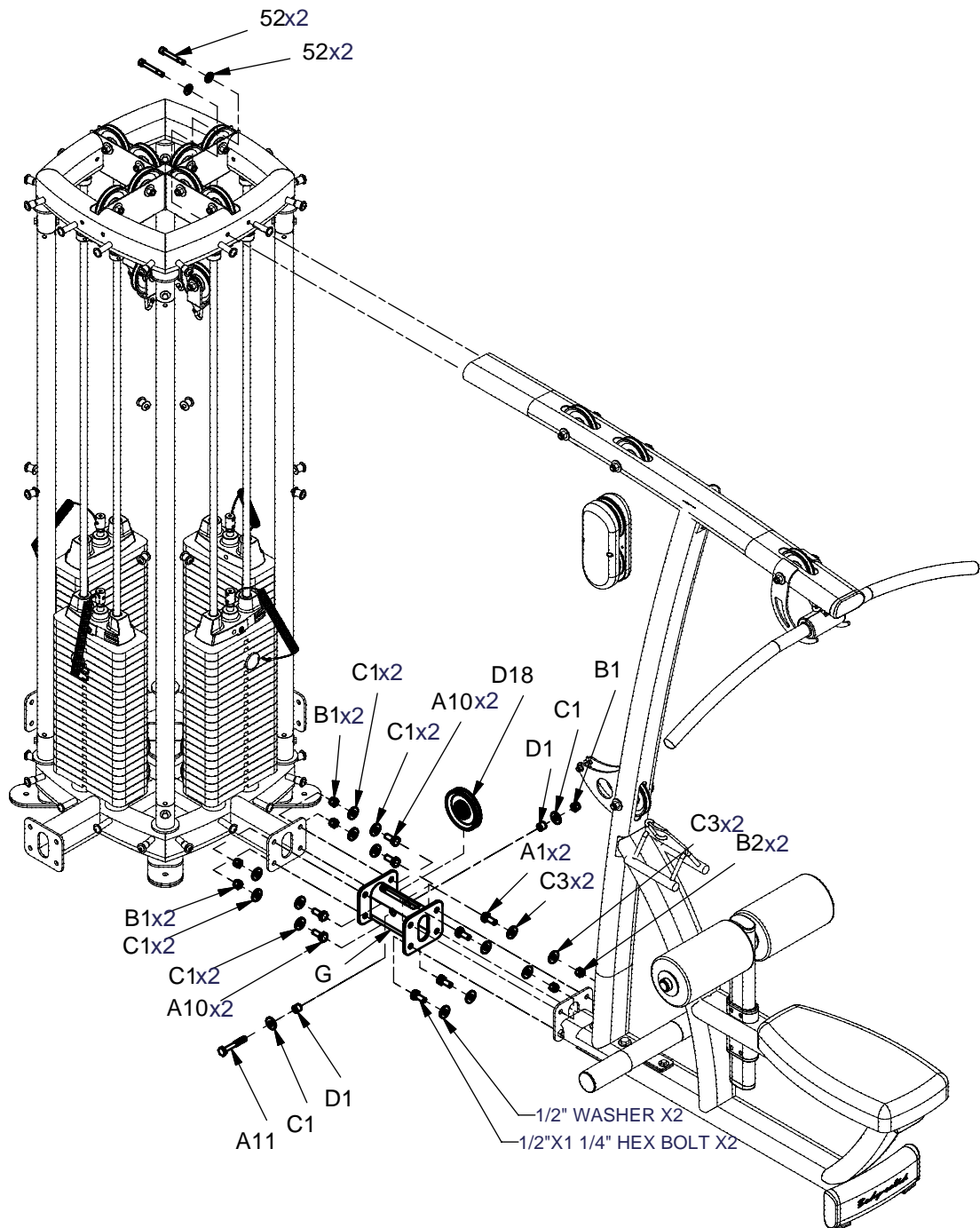
Cable to match illustration



# DLAT ASSEMBLY INSTRUCTIONS



Above shows STEP 11 assembled and completed



# DLAT ASSEMBLY INSTRUCTIONS

