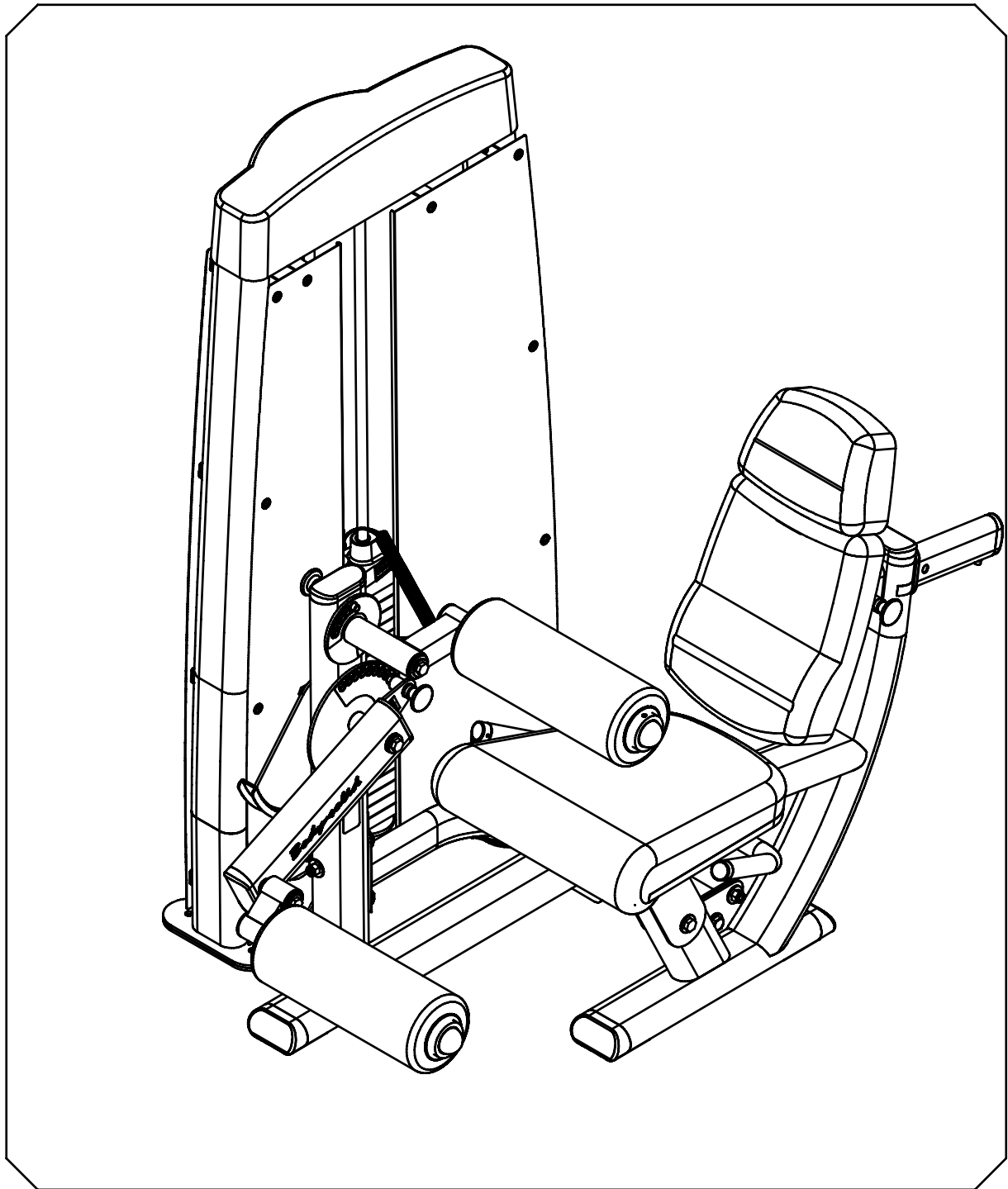


Body-Solid

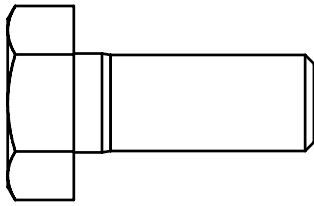


BODY-SOLID, Inc.
1900 S. Des Plaines Ave.
Forest Park, IL 60130 USA
Phone: (708) 427-3555
Fax: (708) 427-3556
www.bodysolid.com

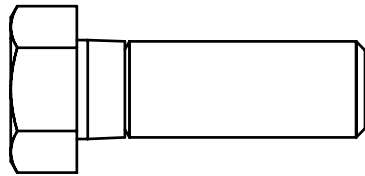
DLEC OWNER'S MANUAL

DLEC ASSEMBLY INSTRUCTIONS

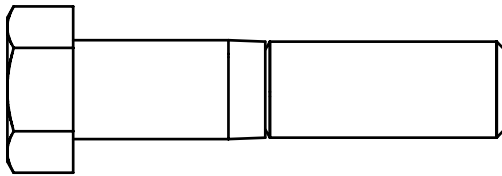
HARDWARW ILLUSTRATION



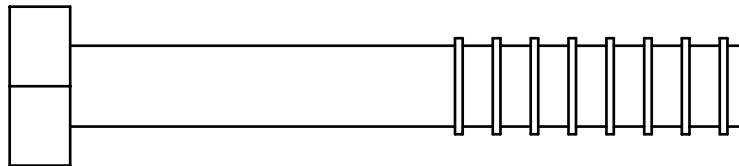
(A1)HEX BOLT 1/2"X1-1/4"L PARTIAL QTY.2



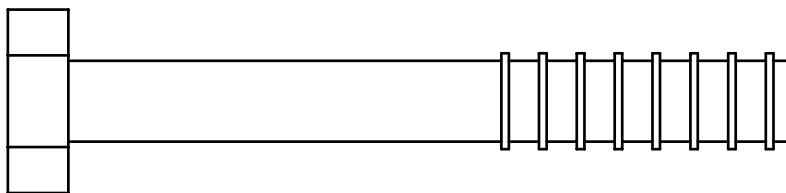
(A2)HEX BOLT 1/2"X1-1/2"L PARTIAL QTY.3



(A3)HEX BOLT 1/2"X2-1/4"L PARTIAL QTY.1



(A4)HEX BOLT 1/2"X3-1/2"L PARTIAL QTY.2

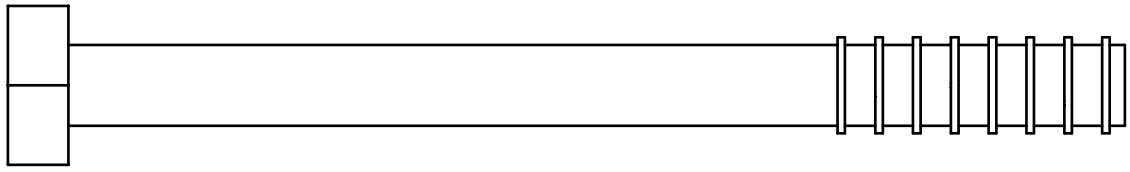


(A5)HEX BOLT 1/2"X3-3/4"L PARTIAL QTY.1

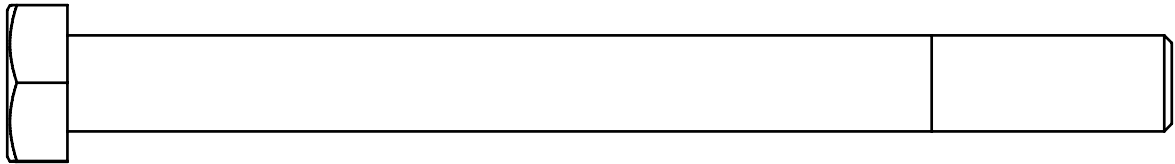


DLEC ASSEMBLY INSTRUCTIONS

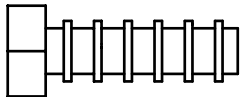
HARDWARW ILLUSTRATION



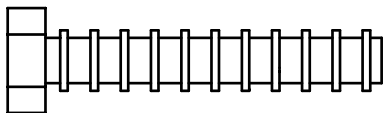
(A6)HEX BOLT 1/2"X5-1/2"L PARTIAL QTY.2



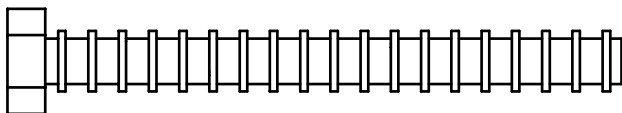
(A7)HEX BOLT 1/2"X5-3/4"L PARTIAL QTY.2



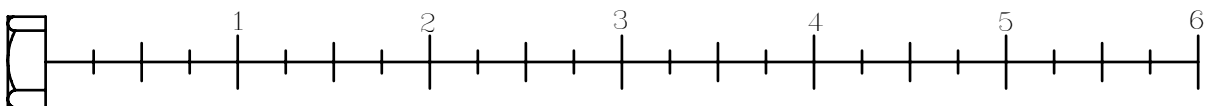
(A8)HEX BOLT 5/16"X1"L PARTIAL QTY.6



(A9)HEX BOLT 5/16"X1-3/4"L PARTIAL QTY.1

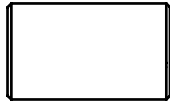
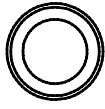


(A10)HEX BOLT 5/16"X3"L PARTIAL QTY.1



DLEC ASSEMBLY INSTRUCTIONS

HARDWARW ILLUSTRATION

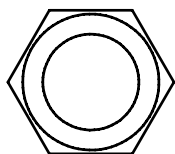
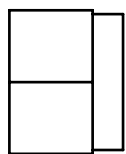


(A11)STEEL BUSHING $\varnothing 1/2"$ X $\varnothing 8.5$ X21L QTY.1

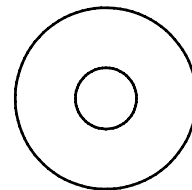


DLEC ASSEMBLY INSTRUCTIONS

HARDWARW ILLUSTRATION



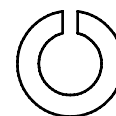
(B1) NYLON LOCK NUT 1/2" QTY.13



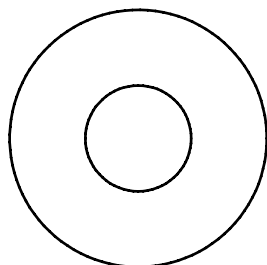
(C4) 5/16" (I.D.) FLAT WASHER Ø24 QTY.7



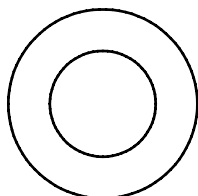
(B2) NYLON LOCK NUT 5/16" QTY.1



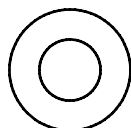
(C5) SPRING WASHER 5/16" QTY.7



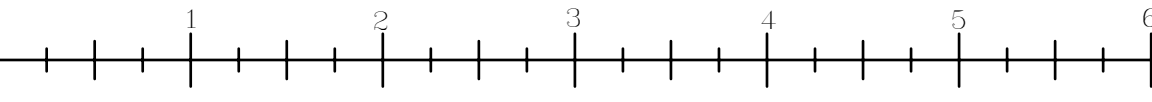
(C1) 1/2" (I.D.) FLAT WASHER Ø34 QTY.20



(C2) 1/2" (I.D.) FLAT WASHER Ø25 QTY.6



(C3) 5/16" (I.D.) FLAT WASHER Ø16 QTY.2

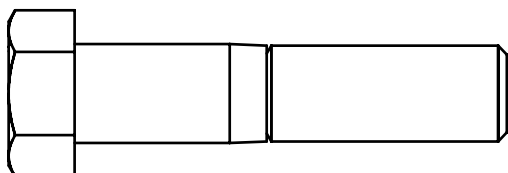


DLEC ASSEMBLY INSTRUCTIONS

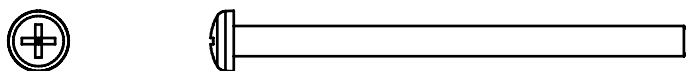
HARDWARW ILLUSTRATION



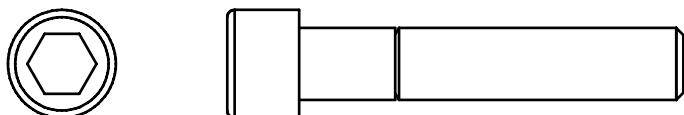
(AA1) ALLEN SCREW 5/16"X3/8"L FULL THREAD QTY.3



(AA2) HEX BOLT 1/2"X2-1/4"L PARTIAL QTY.3



(AA3) ROUND INNER HEX SCREW M4X65L PARTIAL QTY.2



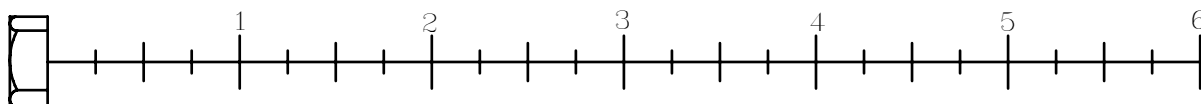
(AA4) ROUND INNER HEAD 3/8"X2"L PARTIAL QTY.1



(AA5) ROUND INNER HEX SCREW M6X20L PARTIAL QTY.20

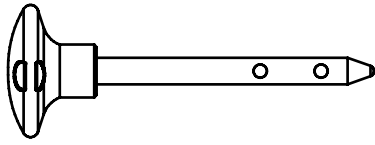


(AA6) ROUND CROSS SCREW 5/32"X1/4"L PARTIAL QTY.4

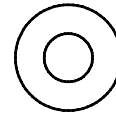


DLEC ASSEMBLY INSTRUCTIONS

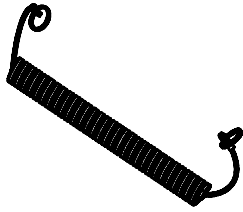
HARDWARW ILLUSTRATION



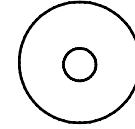
(AA7)10LB PIN(8250-071) QTY.1



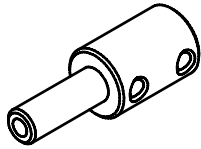
(CC2)M6(I.D.)FLAT WASHER Ø13 QTY.20



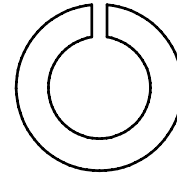
(AA8)ELASTIC BOLT QTY.1



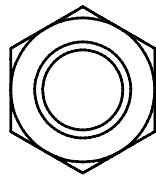
(CC3)M4(I.D.)FLAT WASHER Ø12 QTY.2



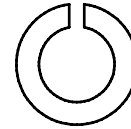
(AA9)WEIGHT STACK CABLE (8260-009) QTY.1



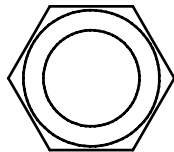
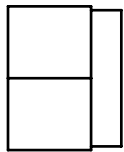
(CC4)SPRING WASHER 1/2" QTY.1



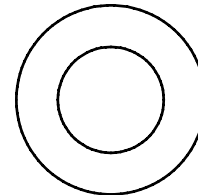
(BB1)NUT 1/2"-13UNC QTY.1



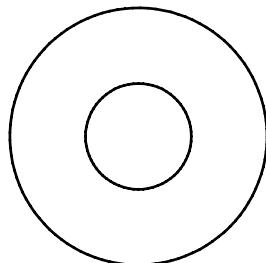
(CC5)SPRING WASHER 3/8" QTY.1



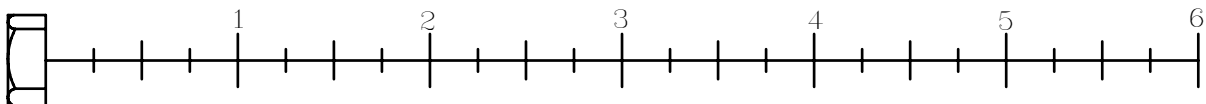
(BB2)NYLON LOCK NUT1/2" QTY.3



(CC6)1/2"(I.D.)FLAT WASHER Ø25 QTY.2



(CC1)1/2"(I.D.)FLAT WASHER Ø34 QTY.4

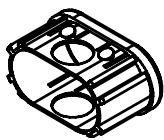


DABB ASSEMBLY INSTRUCTIONS

HARDWARW ILLUSTRATION

		(D1) $\phi 3/4$ " X 13.5 X 8L STEEL BUSHING (8110-014) ----- [2PCS]
		(D2) $\phi 38$ " X $\phi 25.2$ X 27L STEEL BUSHING (8130-159) ----- [1PCS]
		(D3) $\phi 30$ " X $\phi 20$ X 1.5t CU WASHER (8520-007) ----- [1PCS]
		(D4) $\phi 38$ " X $\phi 26$ X 1.5t CU WASHER (8520-008) ----- [1PCS]
		(D5) 95 X 140L RUBBER PAD (9310-035) ----- [2PCS]
		(D6) $\phi 50$ ROUND END CAP (9211-074) ----- [3PCS]
		(D7) 50 X 100 NYLON BUSHING (9211-107) ----- [2PCS]
		(D8) 58 X 116 X 2.5t FOOT CAP (9211-108) ----- [6PCS]
		(D9) 58 X 116 X 2.5t END CAP (9211-112) ----- [3PCS]
		(D10) 40 X 80 X 2t END CAP (9211-113) ----- [1PCS]
		(D11) $\phi 4$ " PULLEY (9213-017A) ----- [2PCS]
		(D12) $\phi 4$ 1/2" PULLEY (9213-010B) ----- [5PCS]
		(D13) $\phi 75$ X 3t X $\phi 26$ NYLON WASHER (9214-008) ----- [4PCS]
		(D14) $\phi 90$ X $\phi 51$ X 3t NYLON WASHER (9214-022) ----- [2PCS]
		(D15) 207 X 105 X 23 PULLEY CAP (9211-115) ----- [1PCS]
		(D16) $\phi 131$ X 30 PULLEY CAP (9211-116) ----- [1PCS]
		(D17) 3485mm STEEL CABLE (FDABBA) ----- [1PCS]
		(D18) $\phi 3/4$ " SHAFT COLLAR (9211-046) ----- [2PCS]
		(D19) $\phi 4$ " RUBBER DOUNT (9310-017) ----- [2PCS]
		(D20) TOP PLATE (8400-006) ----- [1PCS]
		(D21) WEIGHT SELECTOR BAR (8210-042) ----- [1PCS]
		(D22) 95 X 250 RUBBER PAD (9310-060) ----- [2PCS]
		(D23) DABB FOR DGYM STEEL CABLE (FDABBB) ----- [1PCS]

D7



D8



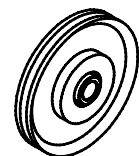
D9



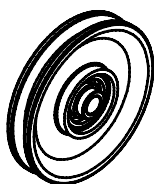
D10



D11



D12



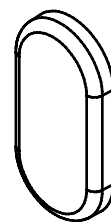
D13



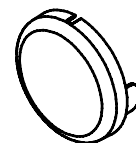
D14



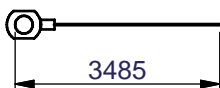
D15



D16



D17



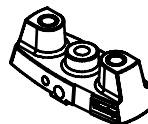
D18



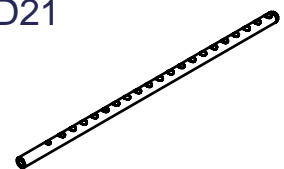
D19



D20



D21



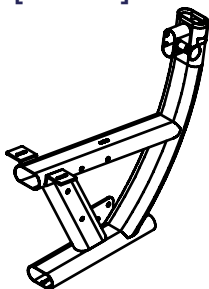
D22



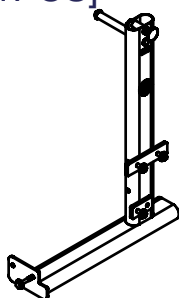
DLEC ASSEMBLY INSTRUCTIONS

PARTS ILLUSTRATION

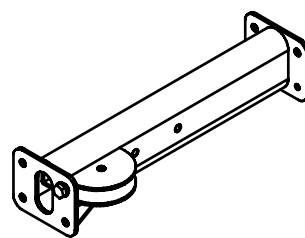
A [1PCS]



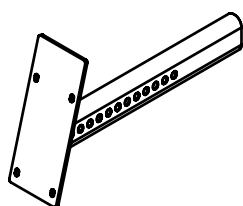
B [1PCS]



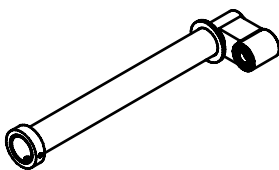
C [1PCS]



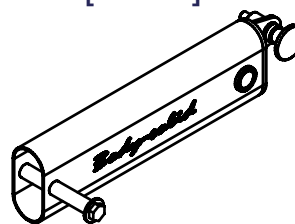
D [1PCS]



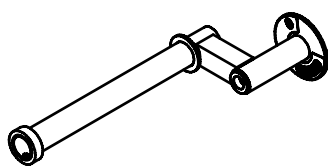
E [1PCS]



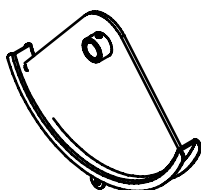
F [1PCS]



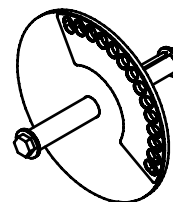
G [1PCS]



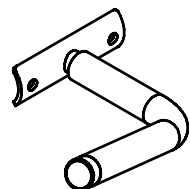
H [1PCS]



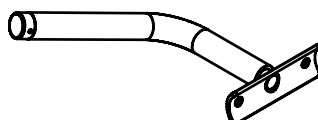
I [1PCS]



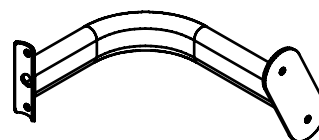
J [1PCS]



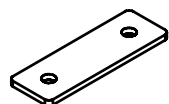
K [1PCS]



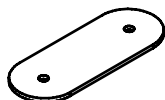
L [1PCS]



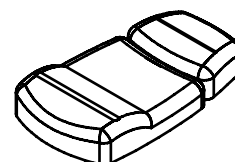
M [1PCS]
8321-062



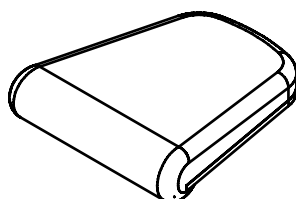
N [1PCS]
8313-135



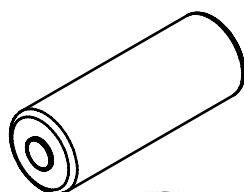
O [1PCS]
9111-055



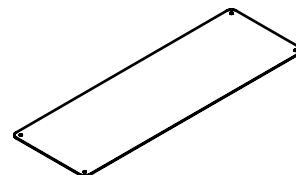
P [2PCS]
9121-053



Q [2PCS]
9161-034



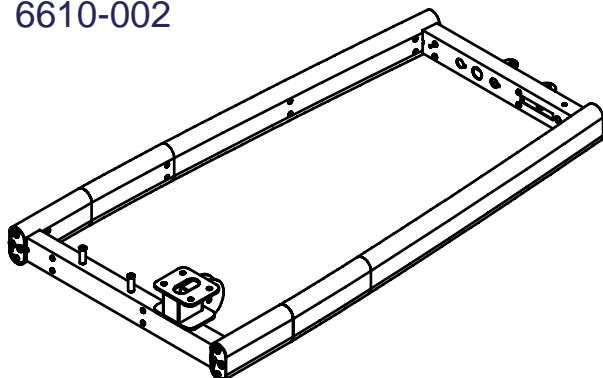
R [1PCS]
9440-161



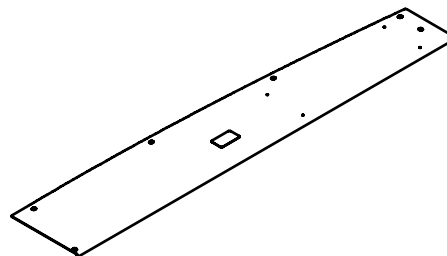
DLEC ASSEMBLY INSTRUCTIONS

PARTS ILLUSTRATION

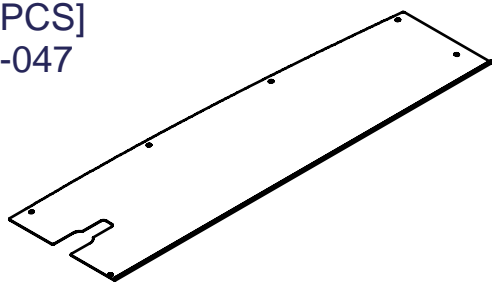
AA[1PCS]
6610-002



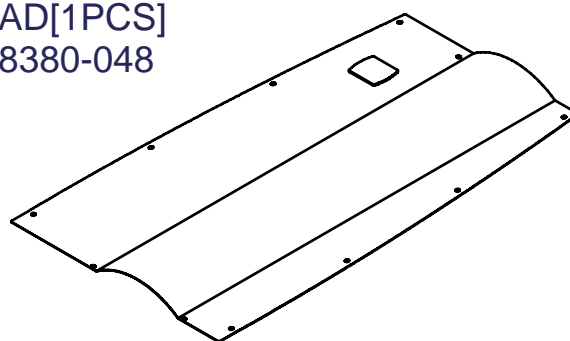
AB[1PCS]
8380-046



AC[1PCS]
8380-047



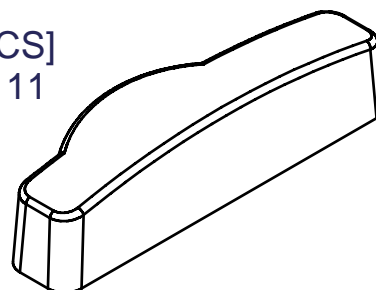
AD[1PCS]
8380-048



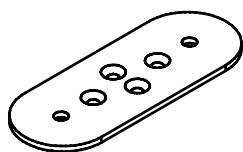
AE[2PCS]
260158A $\varnothing 3/4$ "X1.6tx1407L



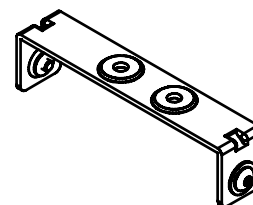
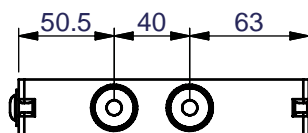
AF[1PCS]
9211-111



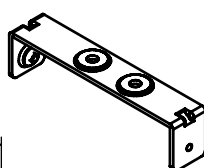
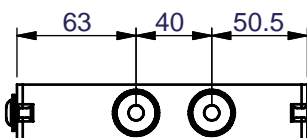
AG[2PCS]
8313-144



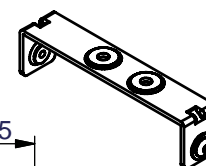
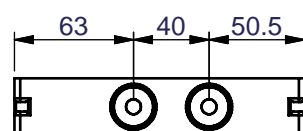
AH[9PCS]
8321-040



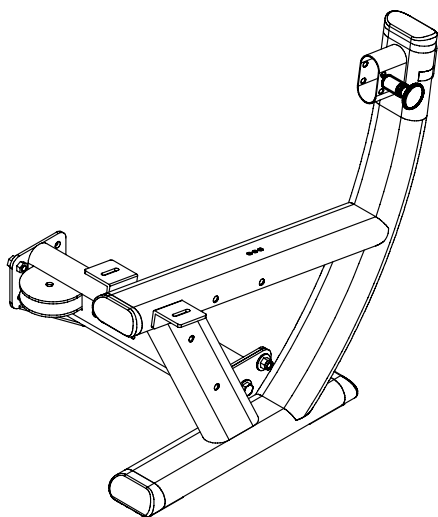
AI[1PCS]
8321-040



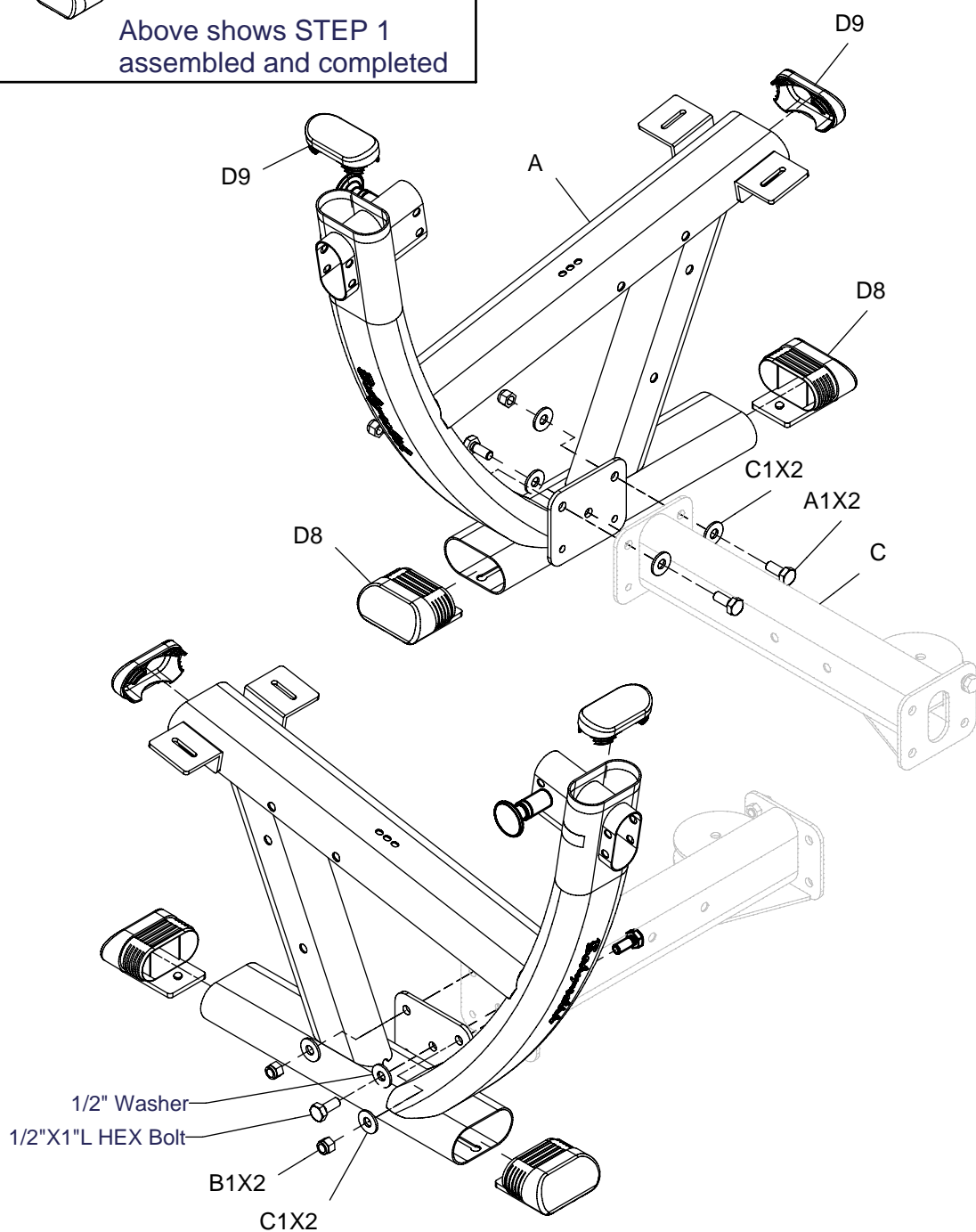
AJ[2PCS]
8321-040



DLEC ASSEMBLY INSTRUCTIONS



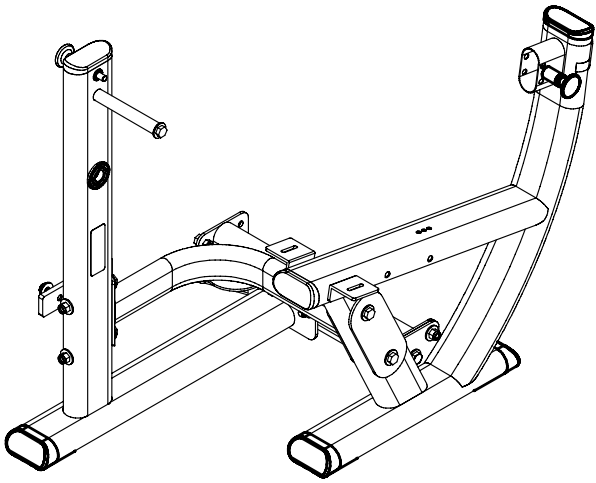
Above shows STEP 1
assembled and completed



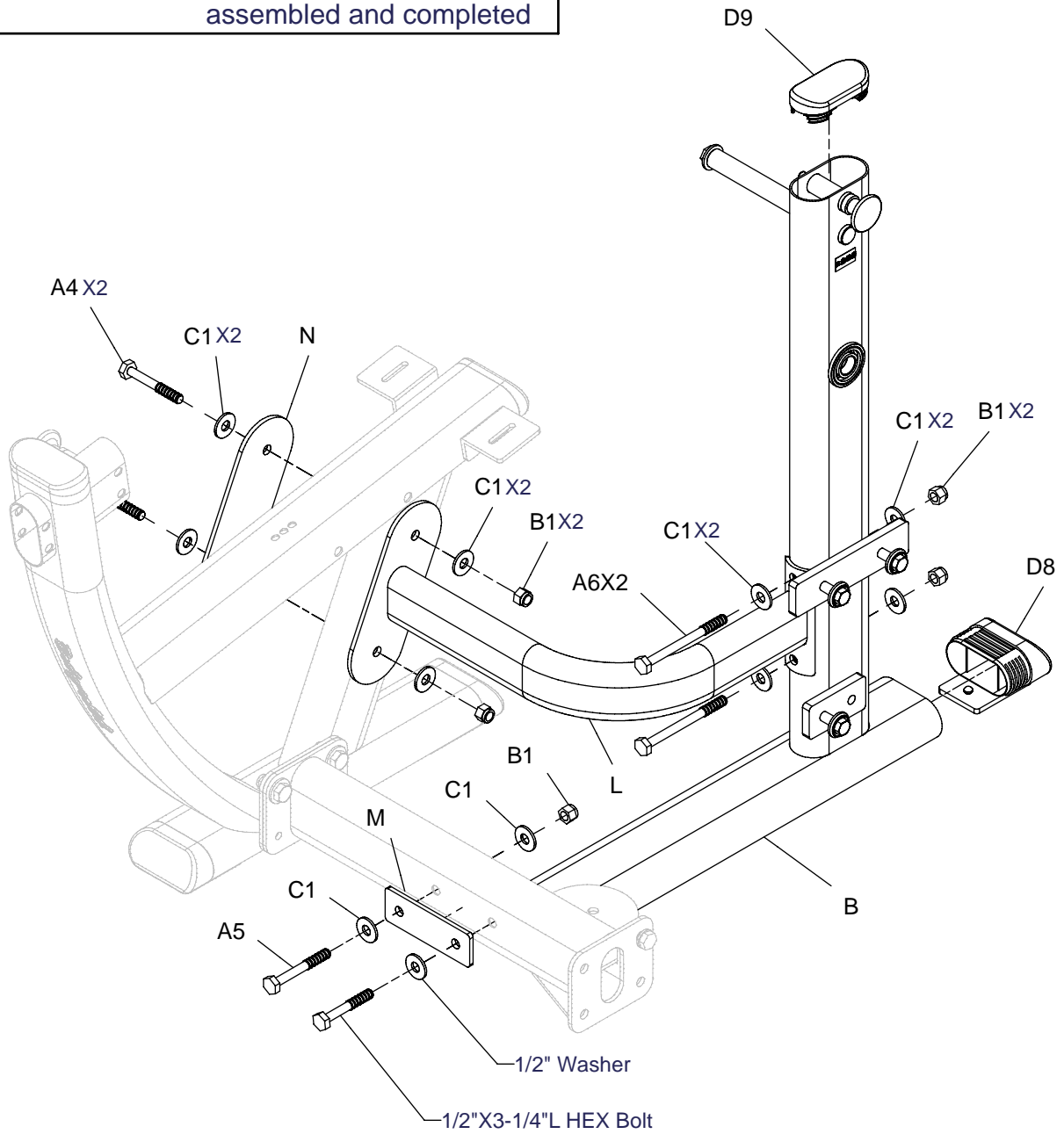
1/2" Washer
1/2"X1"L HEX Bolt

B1X2
C1X2

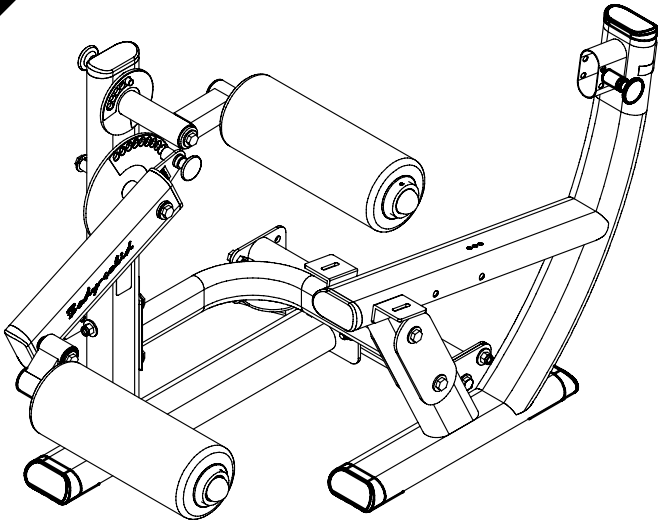
DLEC ASSEMBLY INSTRUCTIONS



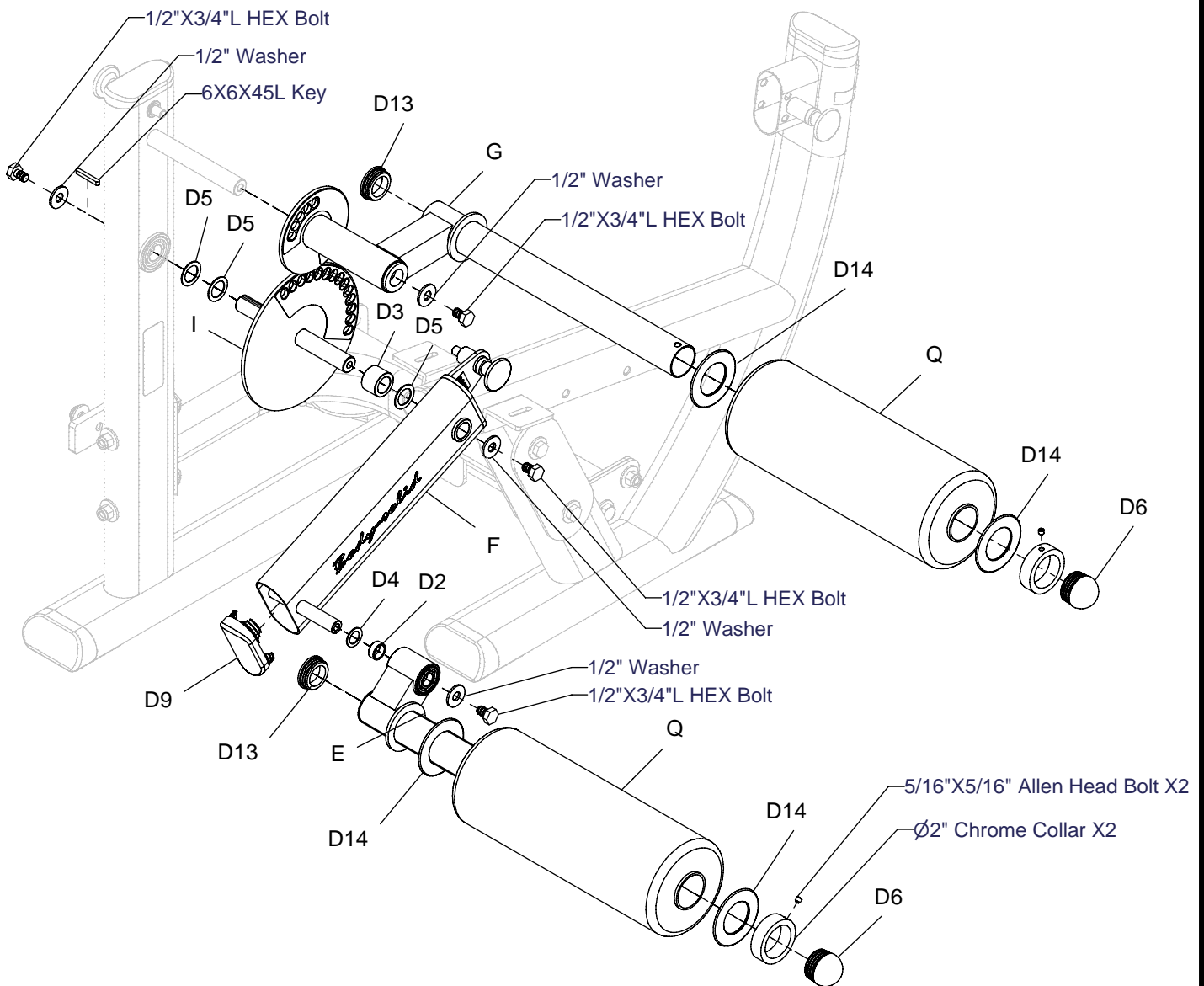
Above shows STEP 2 assembled and completed



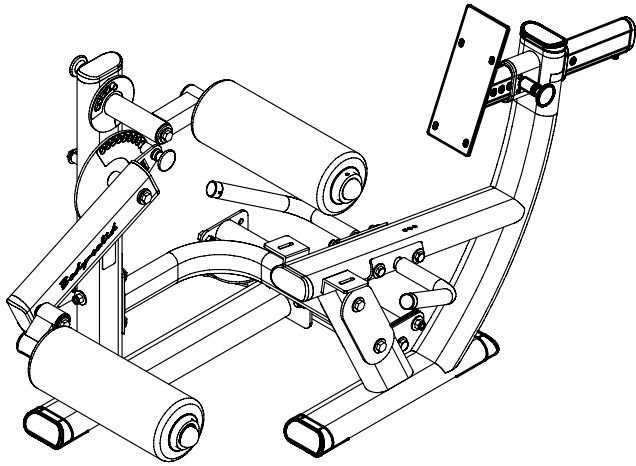
DLEC ASSEMBLY INSTRUCTIONS



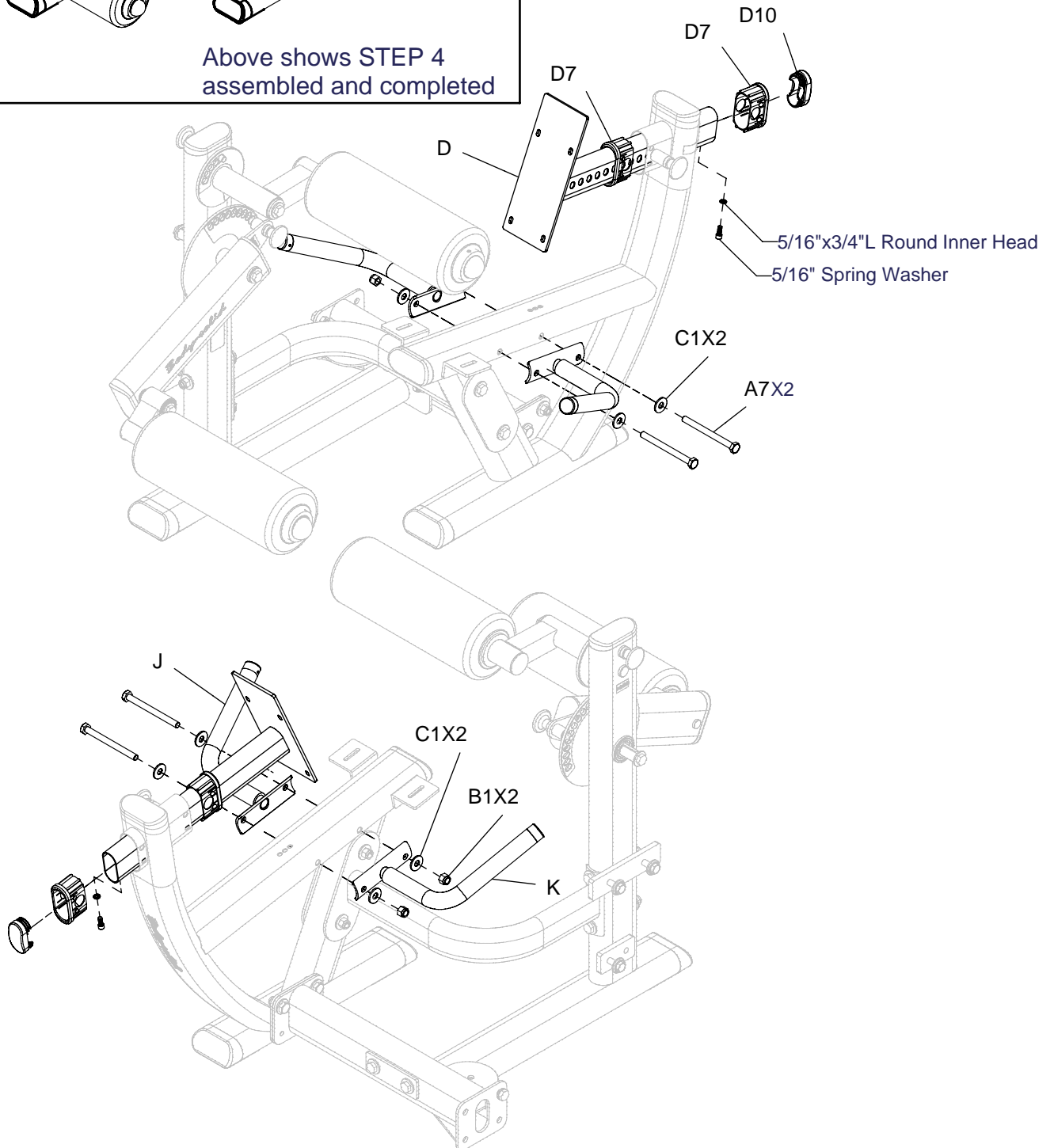
Above shows STEP 3 assembled and completed



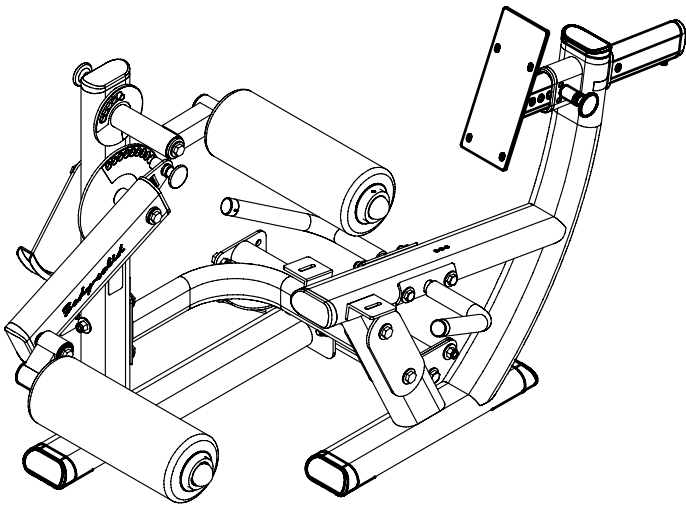
DLEC ASSEMBLY INSTRUCTIONS



Above shows STEP 4
assembled and completed

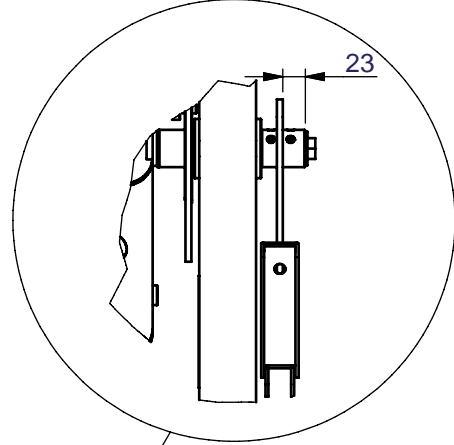


DLEC ASSEMBLY INSTRUCTIONS



Above shows STEP 5 assembled and completed

Detail View



5/16"X5/16"L Allen Head Bolt X4

1/2" Washer X2

1/2"X3/4"L HEX Bolt X2

D11

H

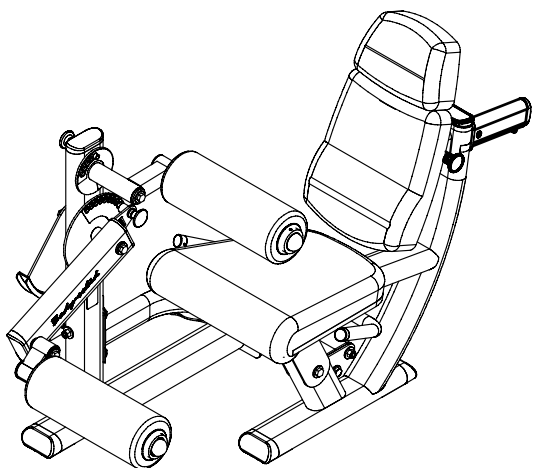
D12

1/2" Washer X2

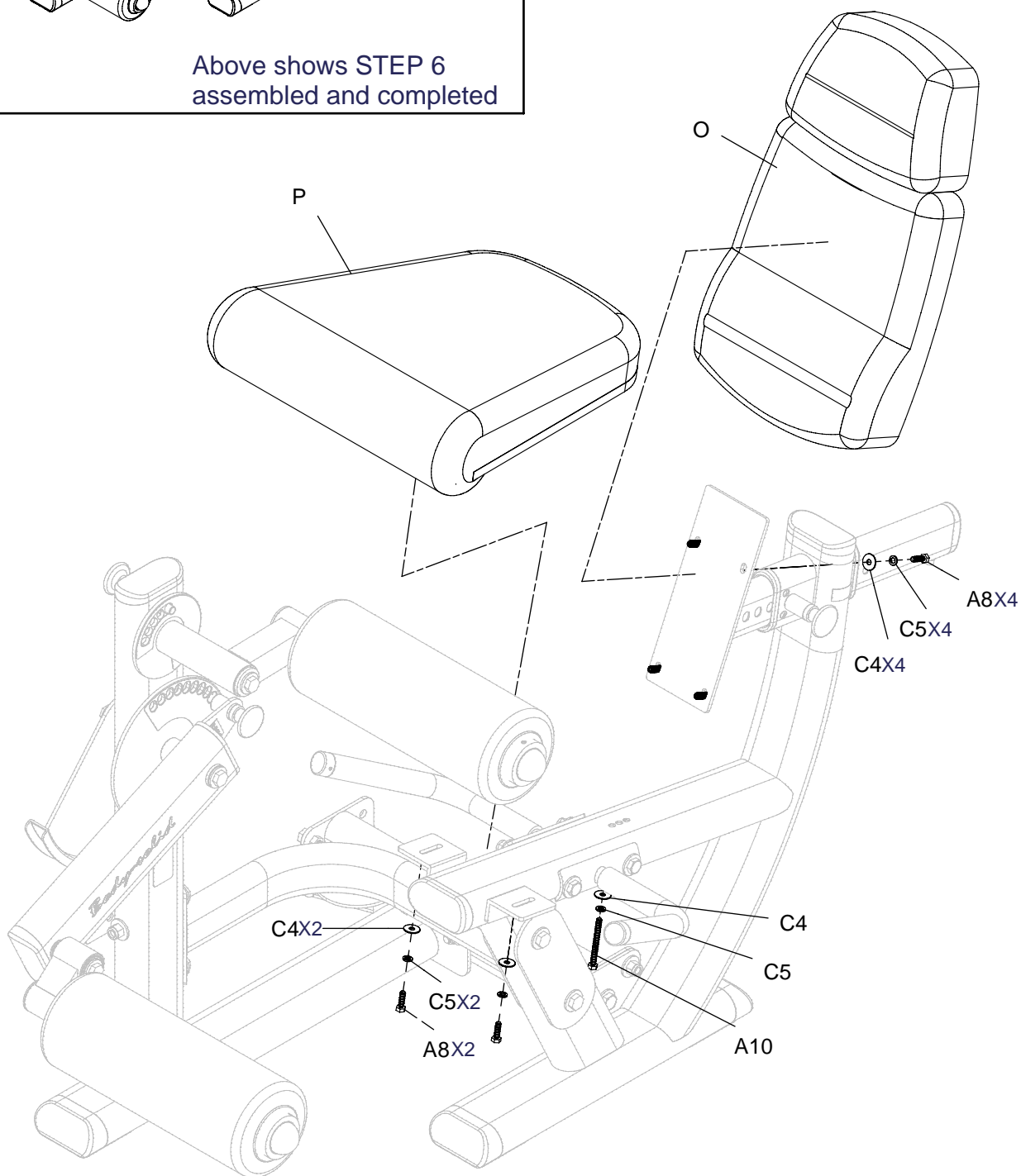
1/2" Round End Cap Washer X2

1/2"X1-1/2"L HEX Bolt X2

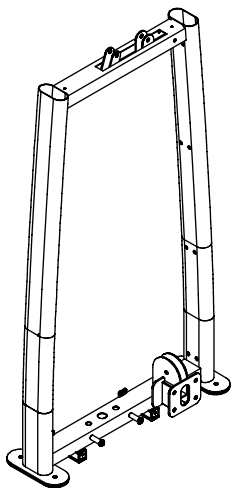
DLEC ASSEMBLY INSTRUCTIONS



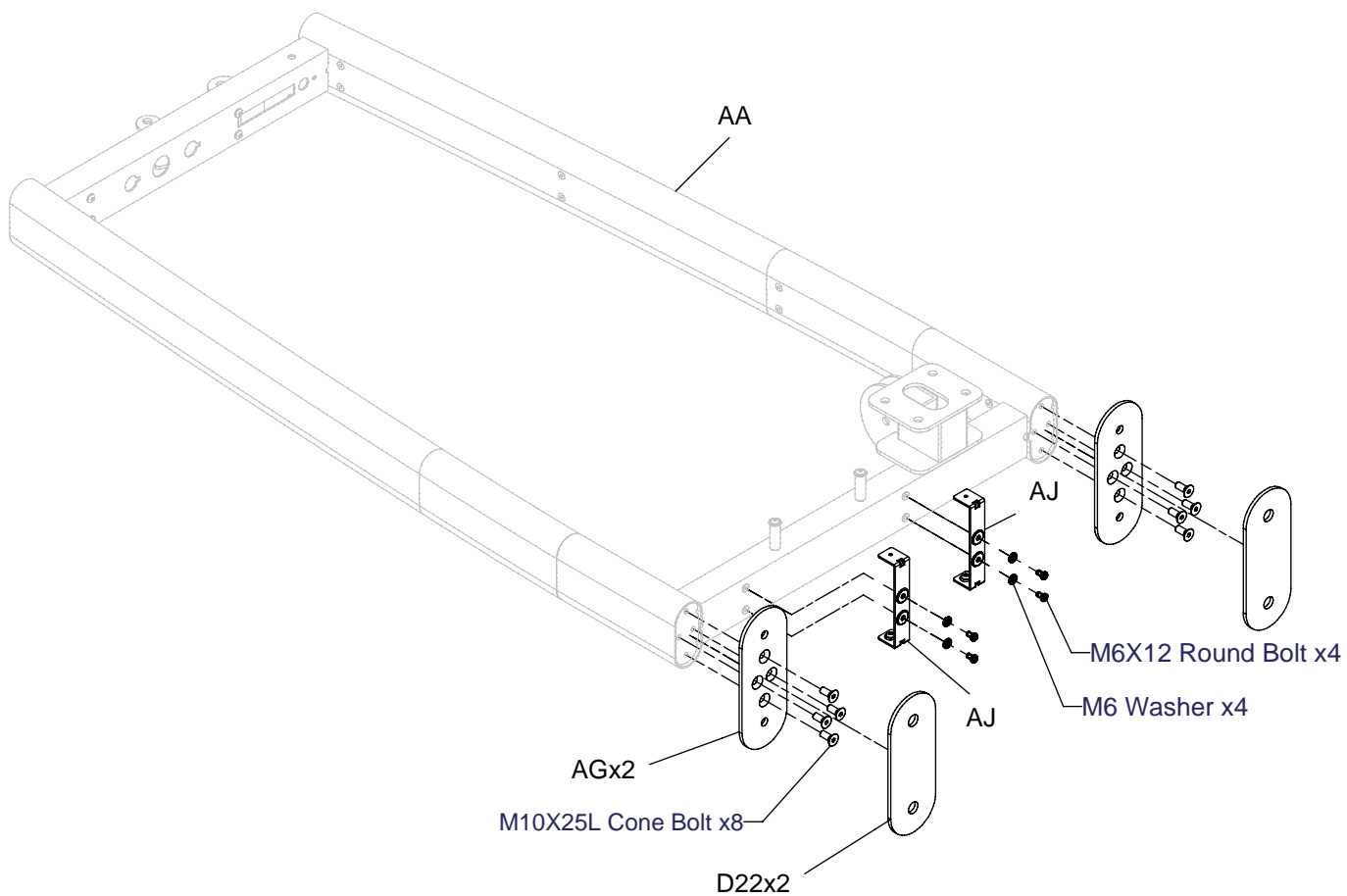
Above shows STEP 6
assembled and completed



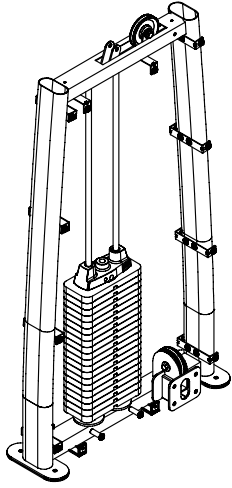
DLEC ASSEMBLY INSTRUCTIONS



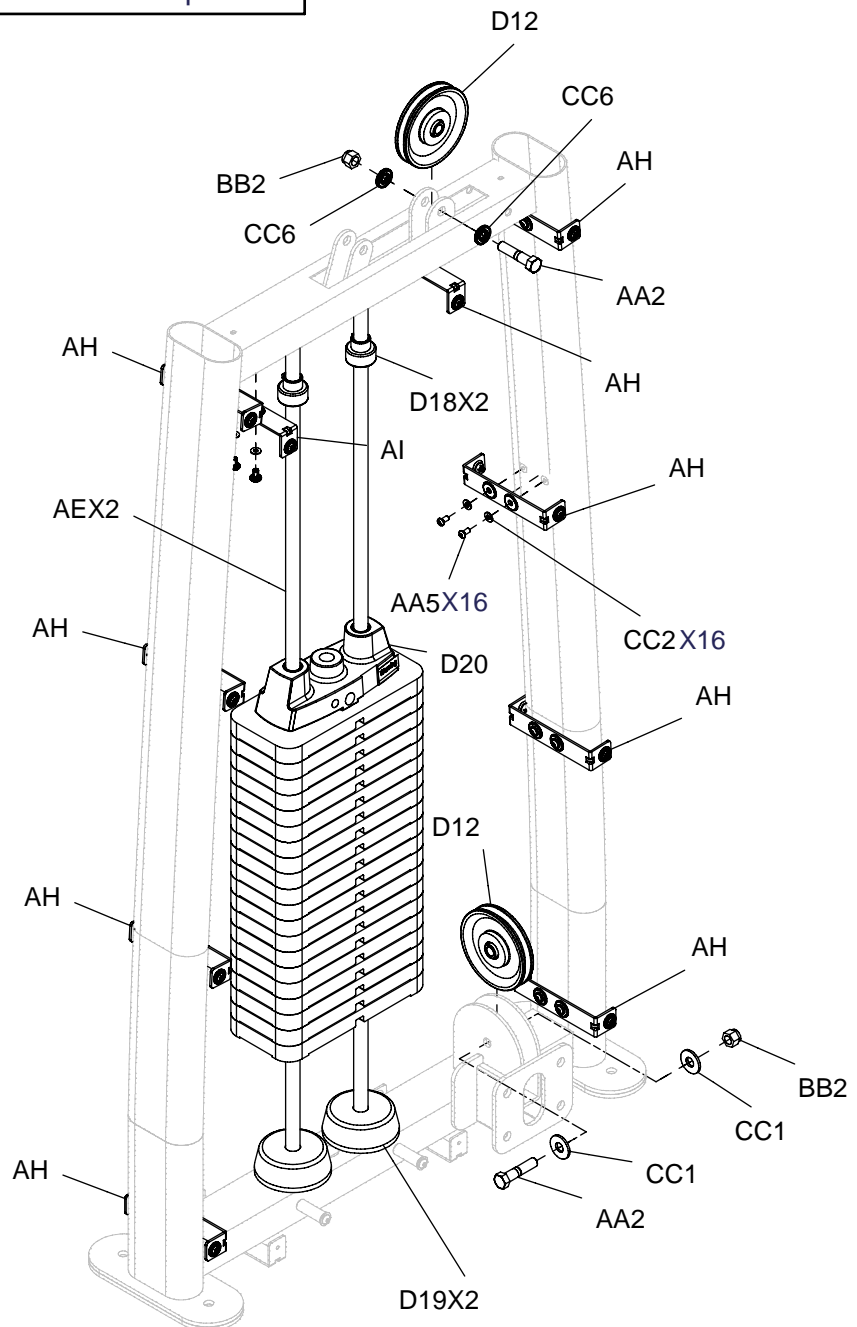
Above shows STEP 7
assembled and completed



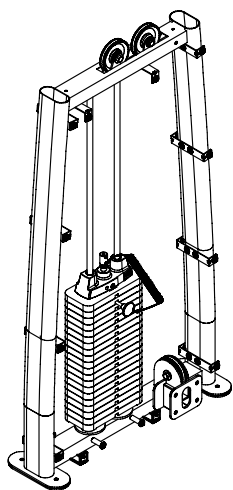
DLEC ASSEMBLY INSTRUCTIONS



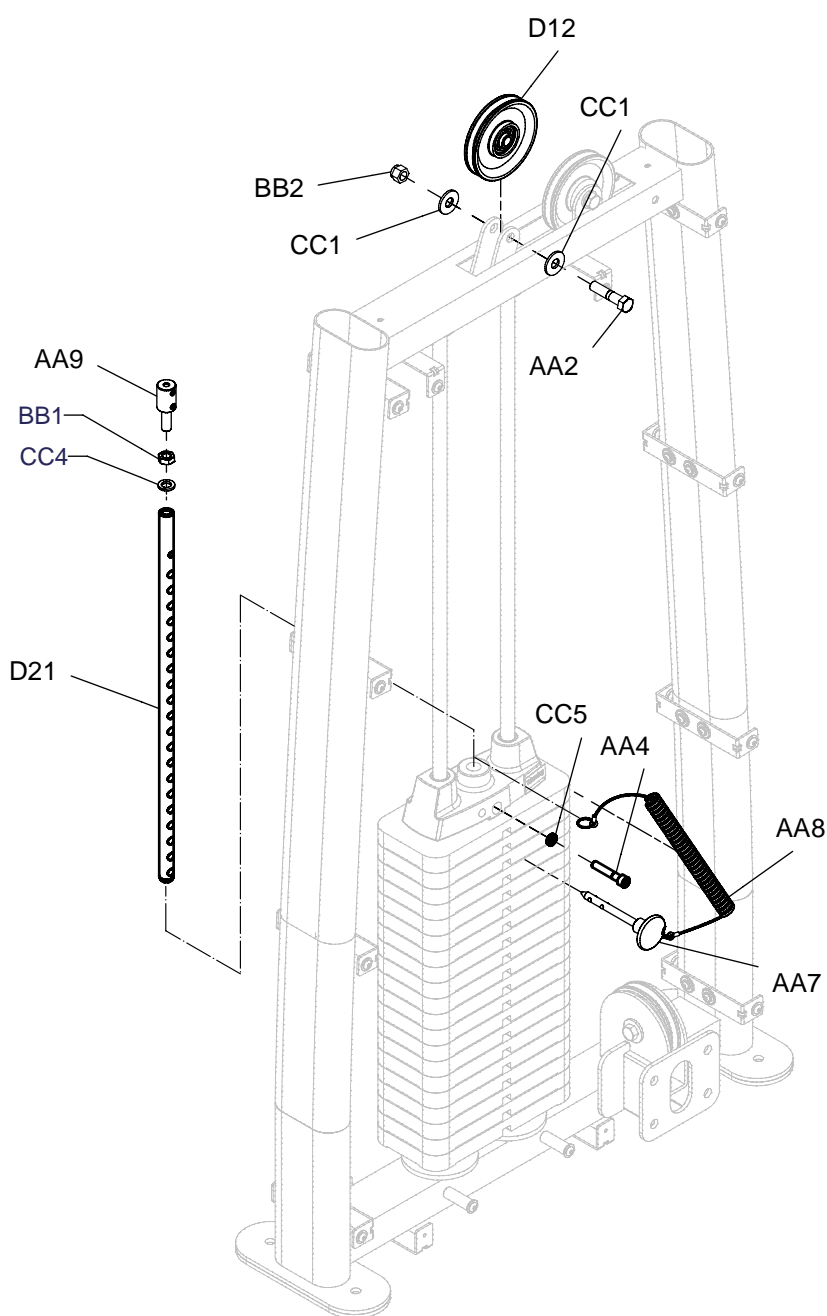
Above shows STEP 8 assembled and completed



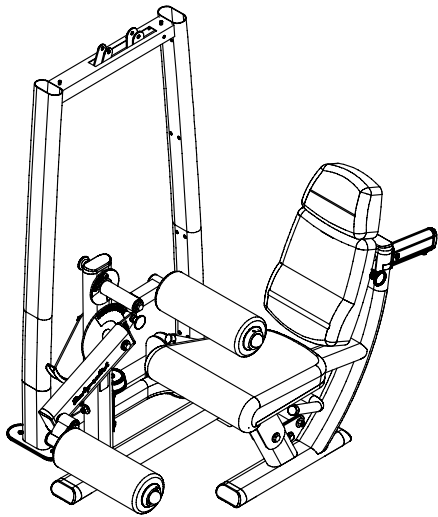
DLEC ASSEMBLY INSTRUCTIONS



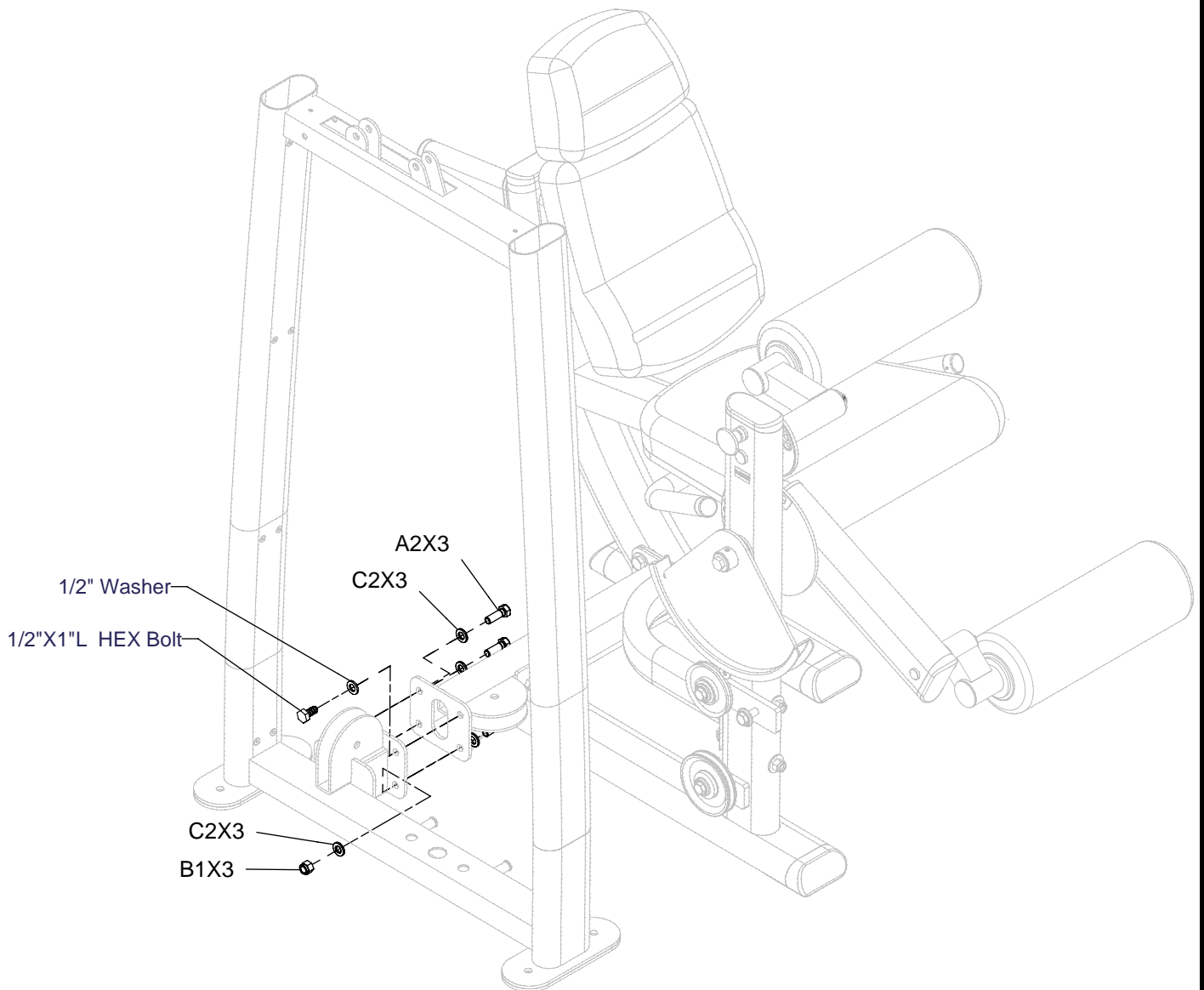
Above shows STEP 9 assembled and completed



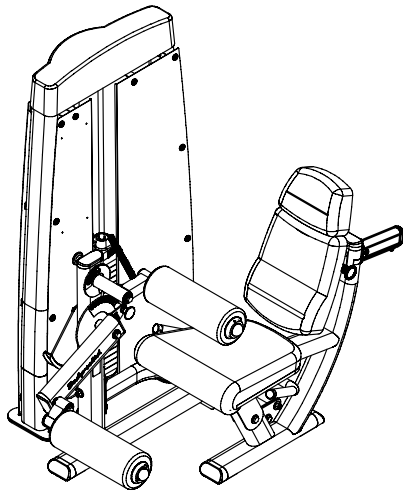
DLEC ASSEMBLY INSTRUCTIONS



Above shows STEP 10
assembled and completed



DLEC ASSEMBLY INSTRUCTIONS

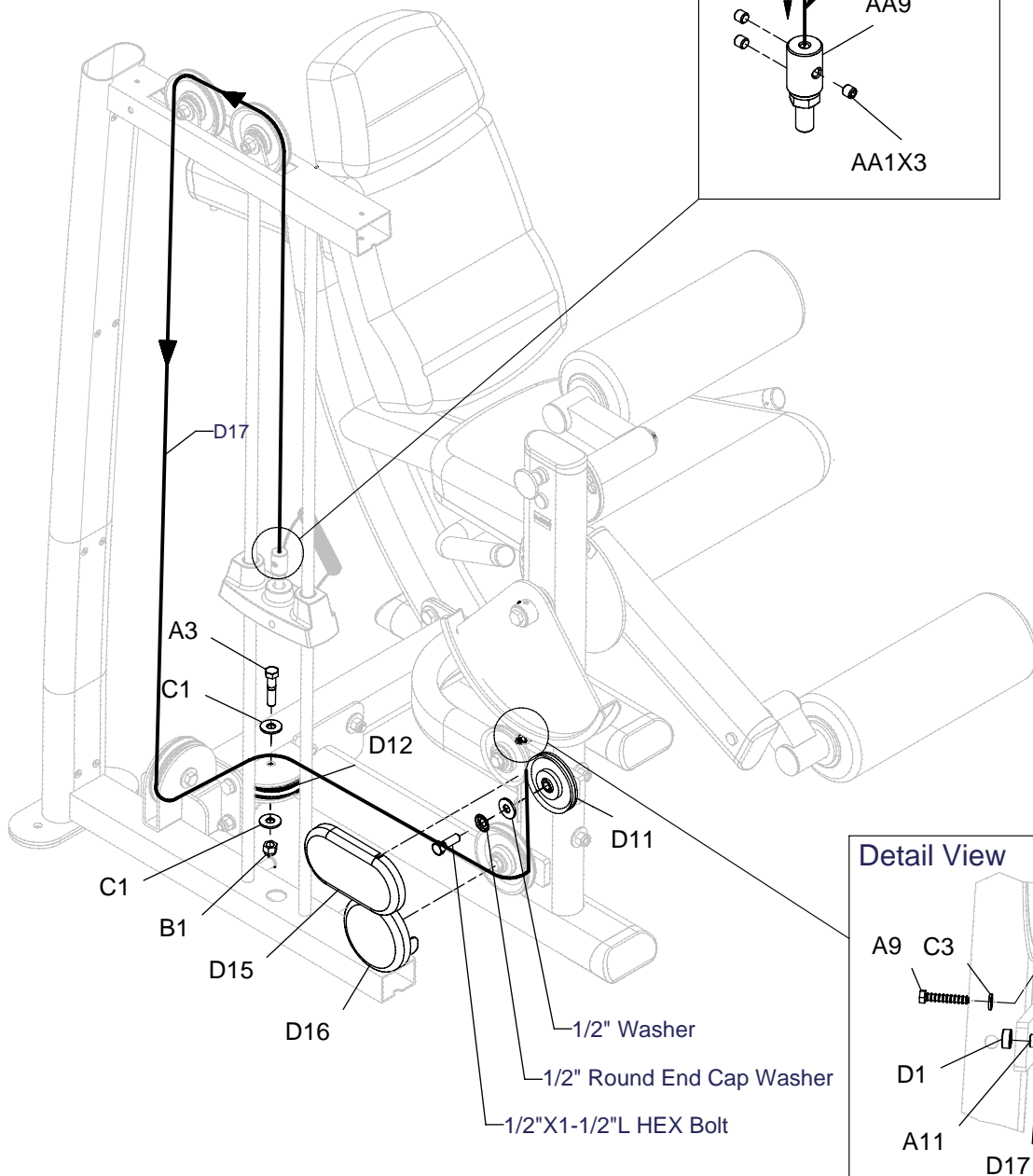
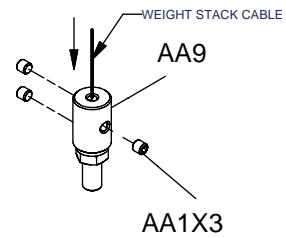


Above shows STEP 11 assembled and completed

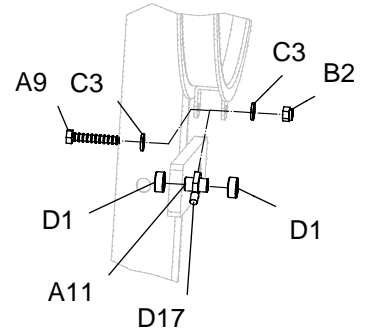
D17.



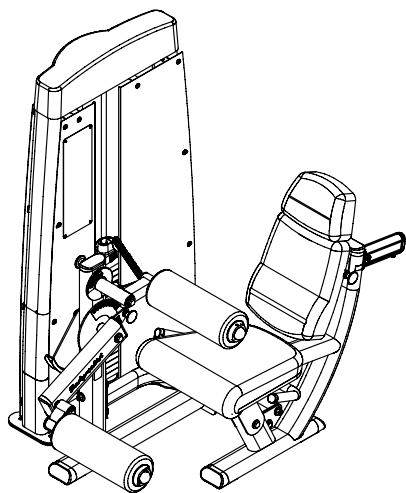
Detail View



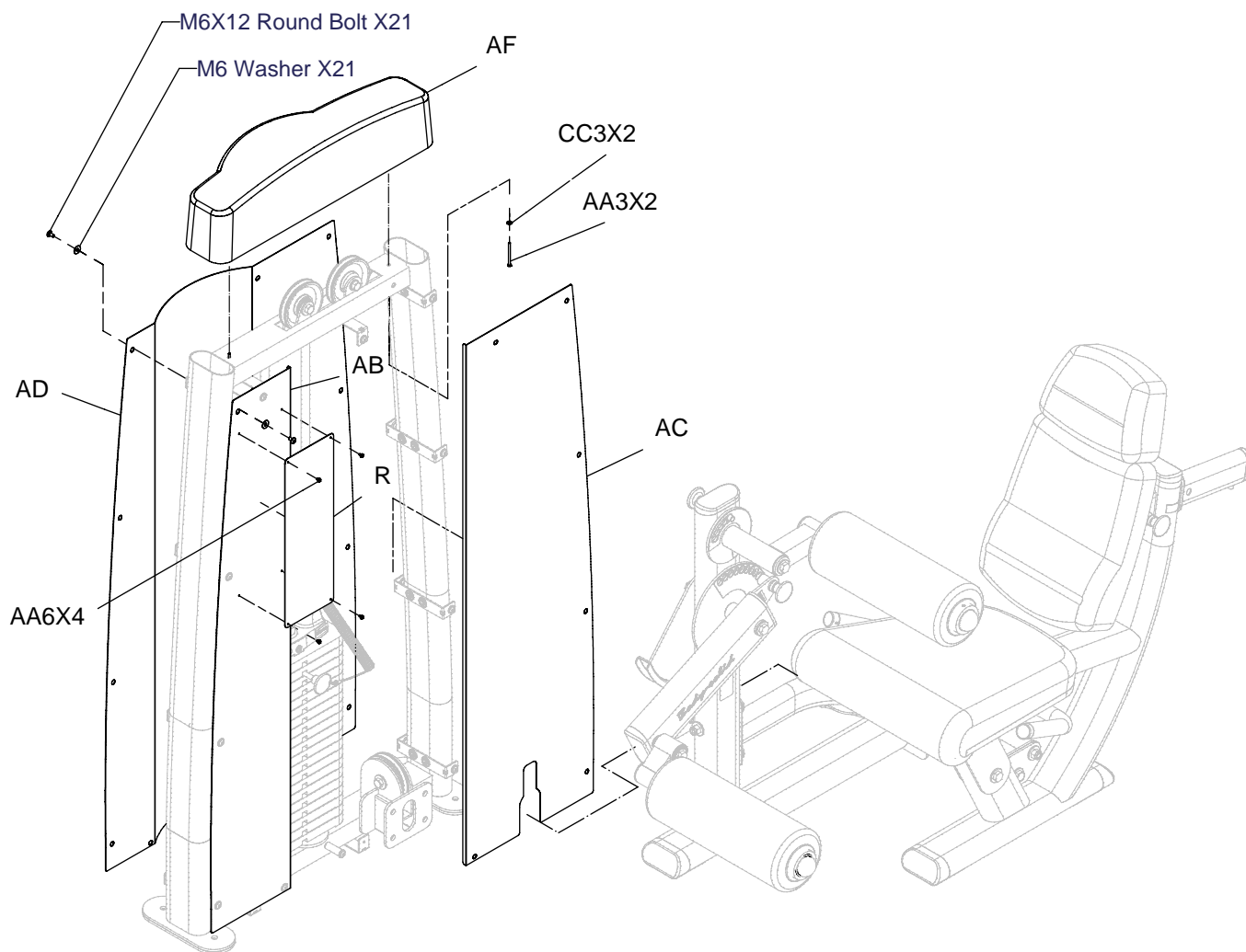
Detail View



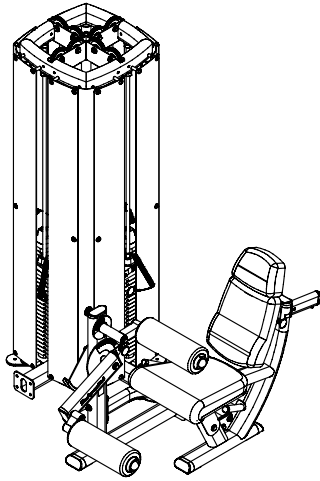
DLEC ASSEMBLY INSTRUCTIONS



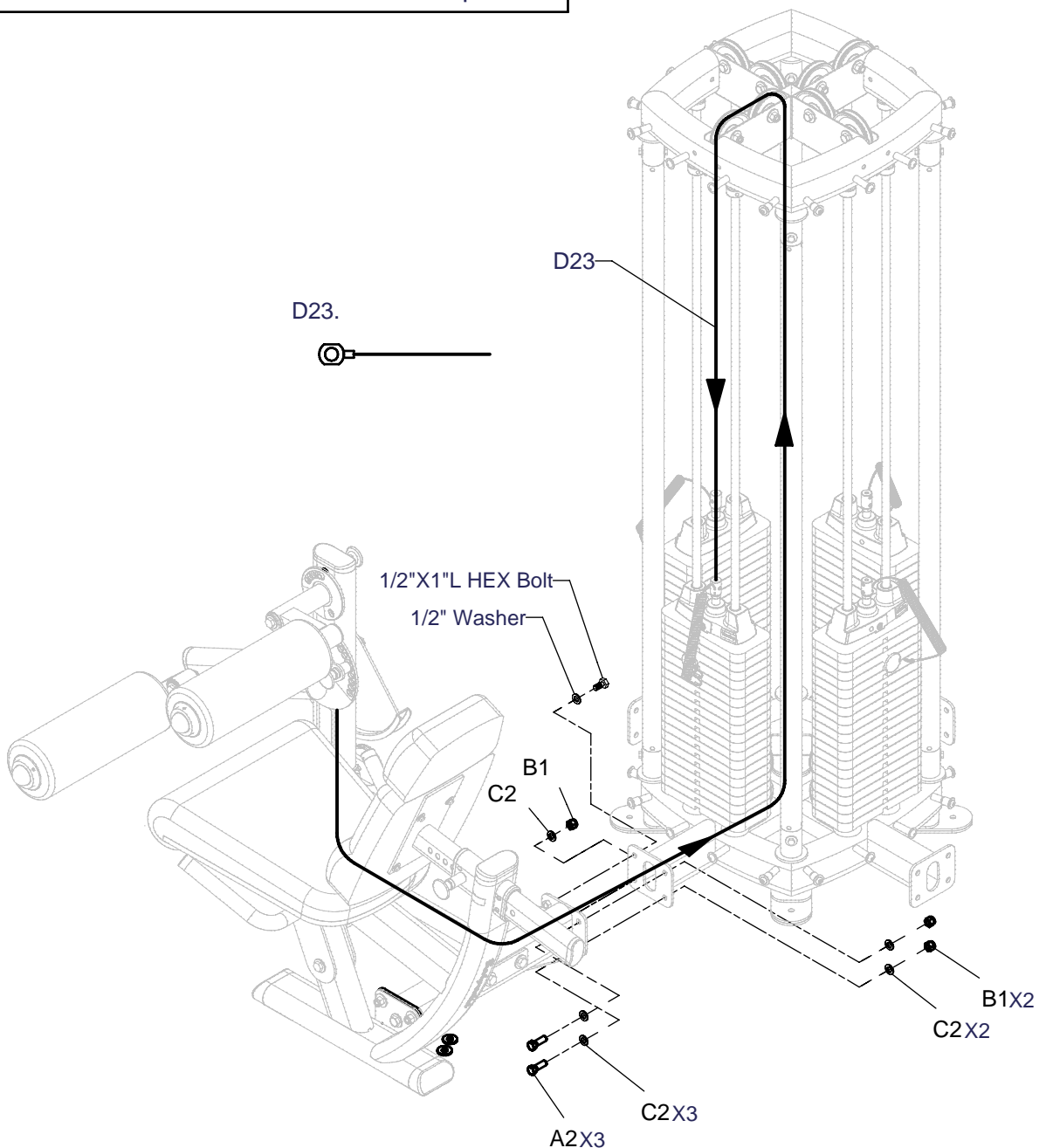
Above shows STEP 12
assembled and completed



DLEC ASSEMBLY INSTRUCTIONS



Above shows STEP 13 assembled and completed



DLEC ASSEMBLY INSTRUCTIONS

