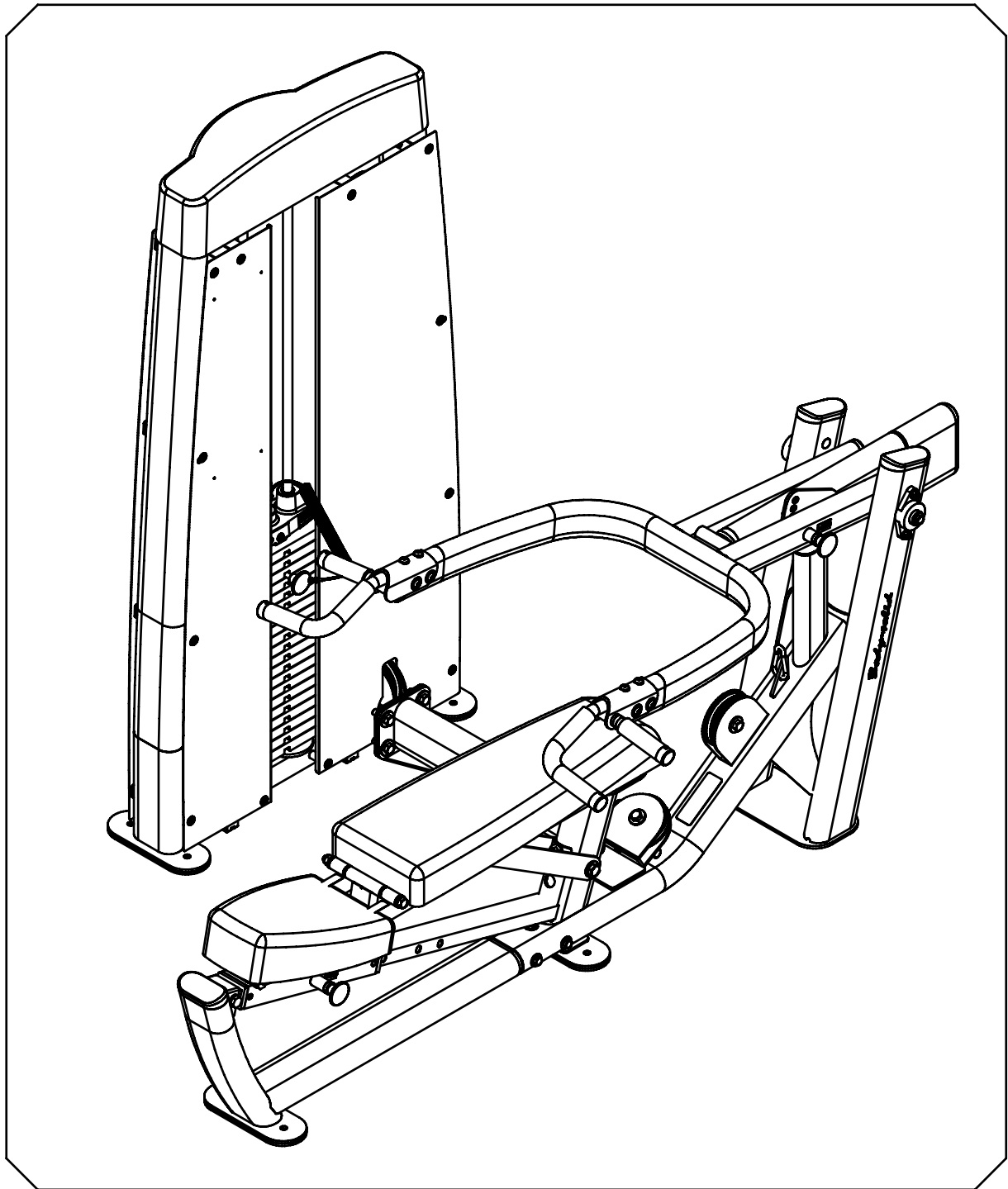


# Body-Solid

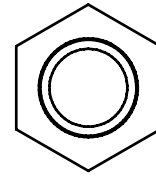
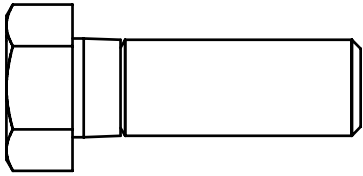


BODY-SOLID, Inc.  
1900 S. Des Plaines Ave.  
Forest Park, IL 60130 USA  
Phone: (708) 427-3555  
Fax: (708) 427-3556  
[www.bodysolid.com](http://www.bodysolid.com)

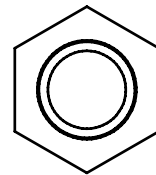
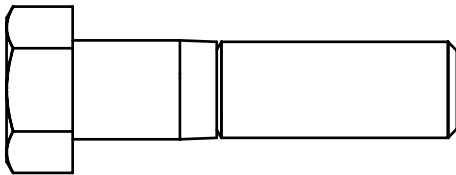
## DPRS.1 OWNER'S MANUAL

# DPRS ASSEMBLY INSTRUCTIONS

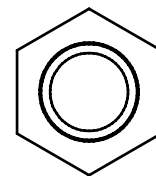
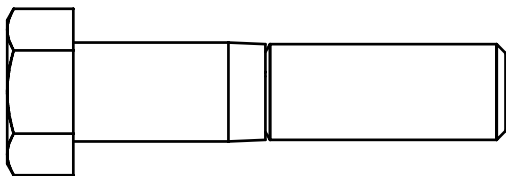
## HARDWARE ILLUSTRATION



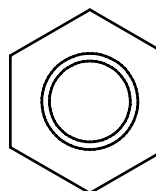
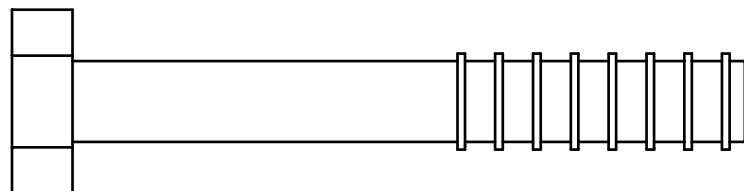
(A1)HEX BOLT 1/2"x1 1/2"L PARTIAL THREAD QTY.7



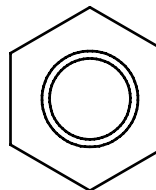
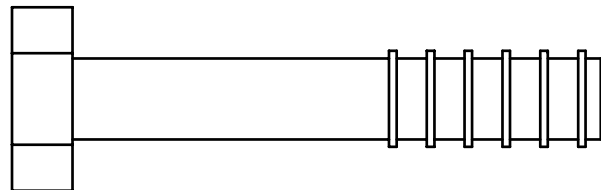
(A2)HEX BOLT 1/2"x2"L PARTIAL THREAD QTY.1



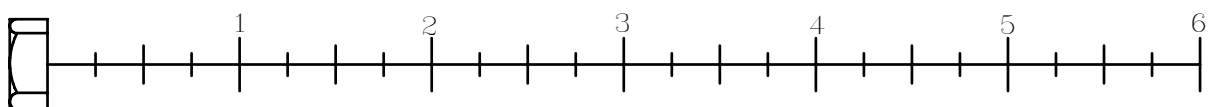
(A3)HEX BOLT 1/2"x2 1/4"L PARTIAL THREAD QTY.1



(A4)HEX BOLT 1/2"x3 1/2"L PARTIAL THREAD QTY.1

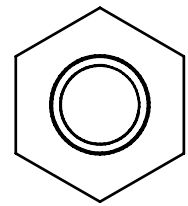
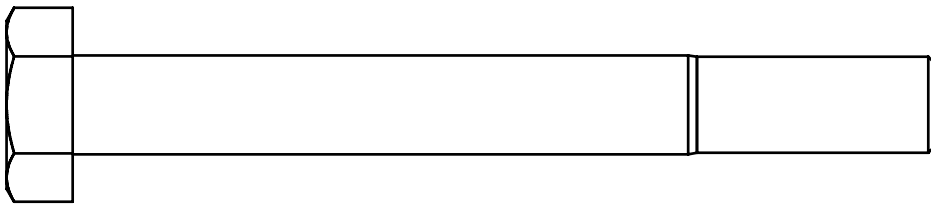


(A5)HEX BOLT 1/2"x2 3/4"L PARTIAL THREAD QTY.1

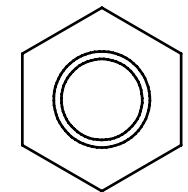
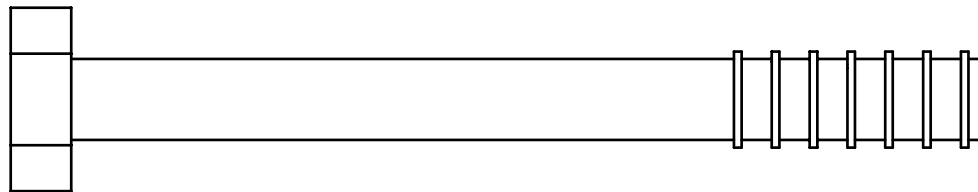


# DPRS ASSEMBLY INSTRUCTIONS

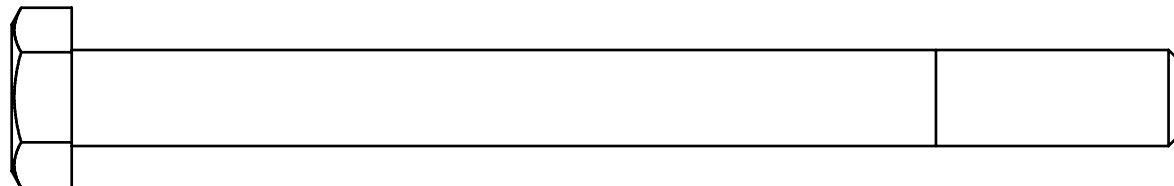
## HARDWARE ILLUSTRATION



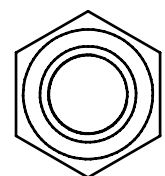
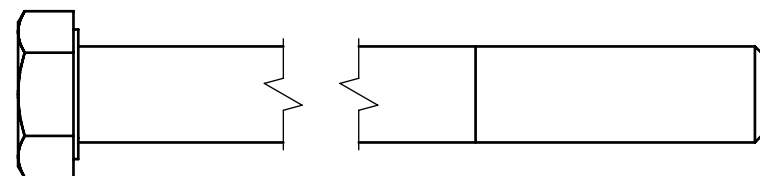
(A6)HEX BOLT 1/2"x4 1/2"L PARTIAL THREAD QTY.1



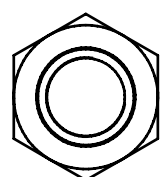
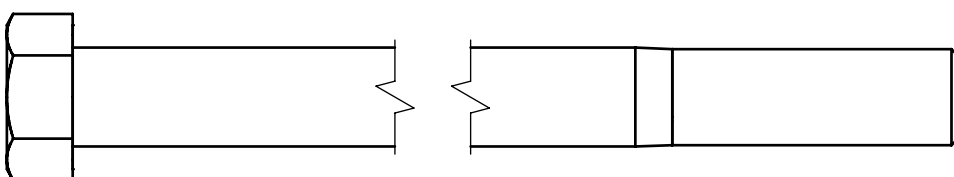
(A7)HEX BOLT 1/2"x4 3/4"L PARTIAL THREAD QTY.1



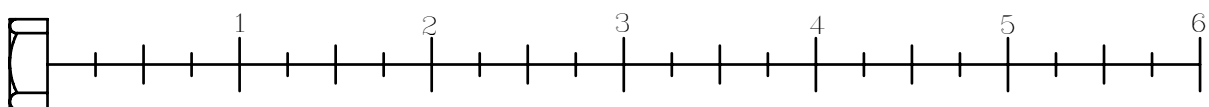
(A8)HEX BOLT 1/2"x5 3/4"L PARTIAL THREAD QTY.1



(A9)HEX BOLT 1/2"x7"L PARTIAL THREAD QTY.1

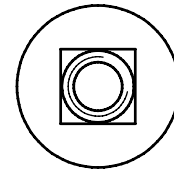
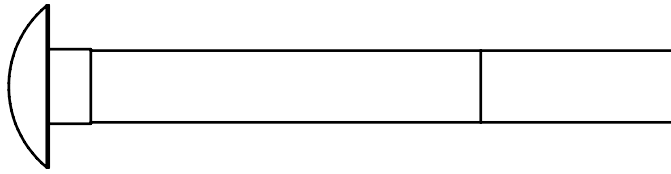


(A10)HEX BOLT 1/2"x8 1/2"L PARTIAL THREAD QTY.1

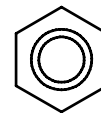
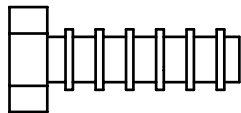


# DPRS ASSEMBLY INSTRUCTIONS

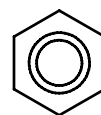
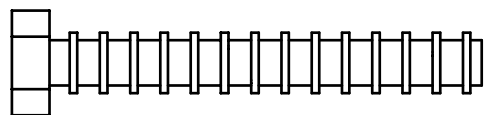
## HARDWARE ILLUSTRATION



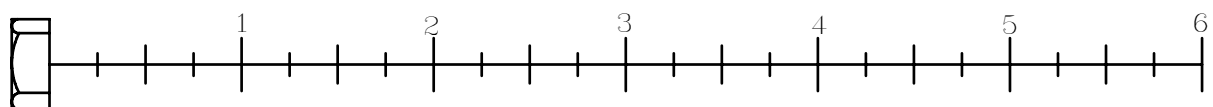
(A12)ROUND ALLEN HEAD 3/8"x3 1/8"L PARTIAL THREAD QTY.4



(A13)HEX BOLT 5/16"x1"L PARTIAL THREAD QTY.3



(A14)HEX BOLT 5/16"x2 1/4"L PARTIAL THREAD QTY.4

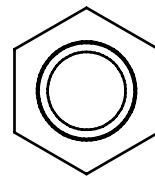
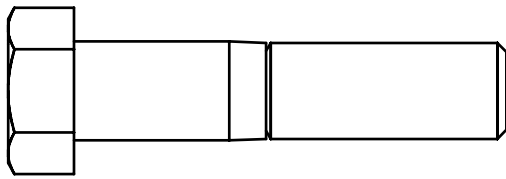


# DPRS ASSEMBLY INSTRUCTIONS

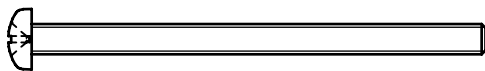
## FRAME HARDWARE ILLUSTRATION



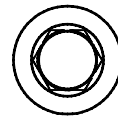
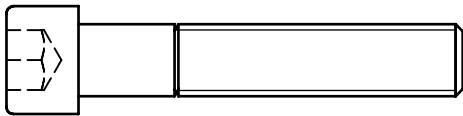
(A15) ALLEN SCREW 5/16" X 3/8" L FULL THREAD QTY. 3



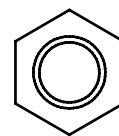
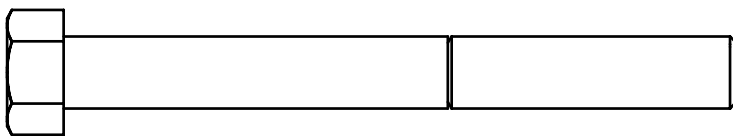
(A16) HEX BOLT 1/2" X 2 1/4" L PARTIAL THREAD QTY. 4



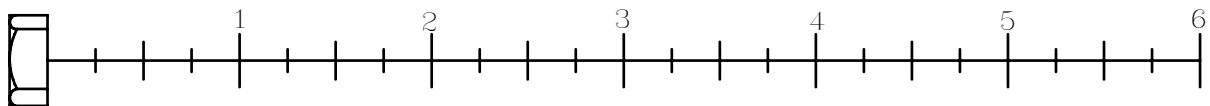
(A17) HEX BOLT M4 X 65 L" L PARTIAL THREAD QTY. 2



(A18) ROUND ALLEN HEAD 3/8" X 2" L PARTIAL THREAD QTY. 1

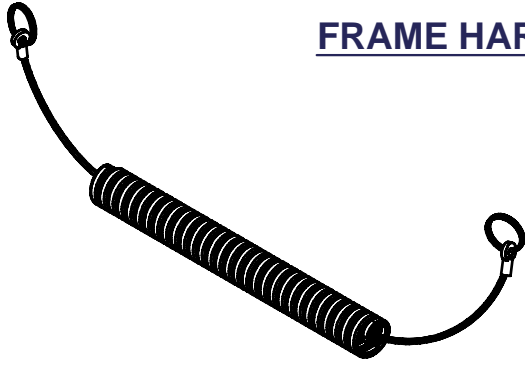


(A19) HEX BOLT 3/8" X 3 1/2" L PARTIAL THREAD QTY. 1

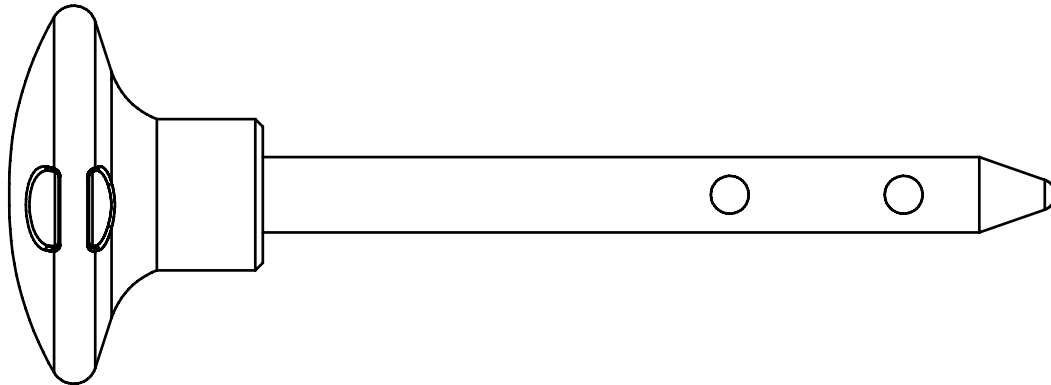


# DPRS ASSEMBLY INSTRUCTIONS

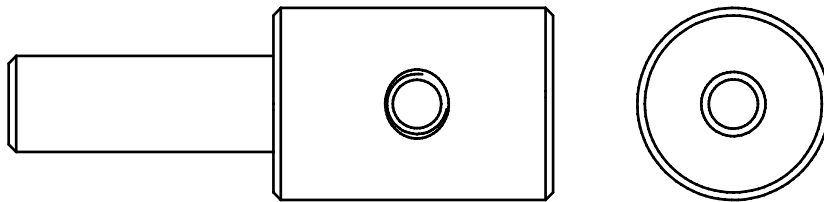
## FRAME HARDWARE ILLUSTRATION



(A20)ELASTIC BOLT QTY.1



(A21)10LB PIN (8250-071) QTY.1



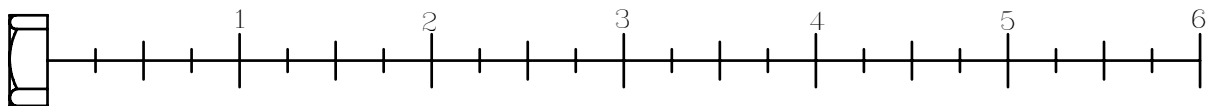
(A22)WEIGHT STACK CABLE (8260-009) QTY.1



(A23)ROUND ALLEN HEAD M6X20L PARTIAL THREAD QTY.20

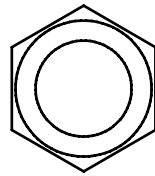
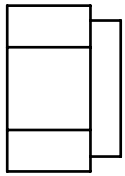


(A24)ROUND ALLEN HEAD 5/32"X1/4"L PARTIAL THREAD QTY.4

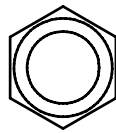
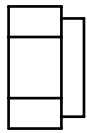


# DPRS ASSEMBLY INSTRUCTIONS

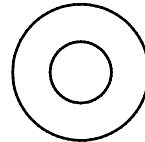
## HARDWARE ILLUSTRATION



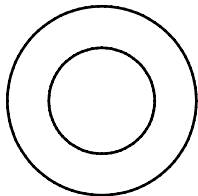
(B1) NYLON LOCK NUT 1/2" QTY.14



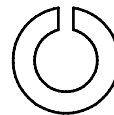
(B2) NYLON LOCK NUT 3/8" QTY.4



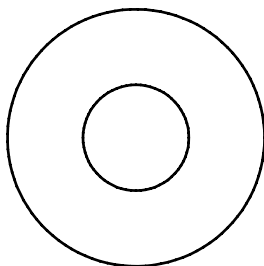
(C5) 5/16" (I.D.) FLAT WASHER  $\varnothing$ 18 QTY.7



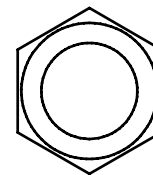
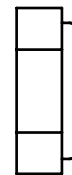
(C1) 1/2" (I.D.) FLAT WASHER  $\varnothing$ 25 QTY.6



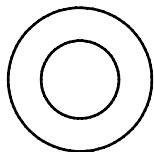
(C6) 5/16" SPRING WASHER QTY.7



(C2) 1/2" (I.D.) FLAT WASHER  $\varnothing$ 34 QTY.23



(B6) NYLON LOCK NUT 1/2" X 8H QTY.1

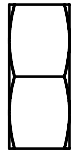
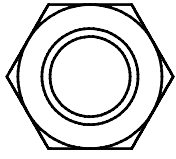


(C3) 3/8" (I.D.) FLAT WASHER  $\varnothing$ 19 QTY.4

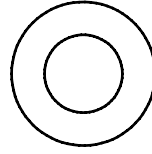


# DPRS ASSEMBLY INSTRUCTIONS

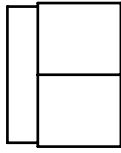
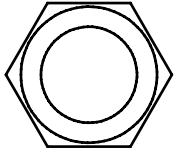
## FRAME HARDWARE ILLUSTRATION



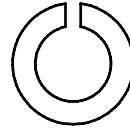
(B3) NYLON LOCK NUT 1/2" X 13 UNC X 8 T QTY. 1



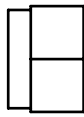
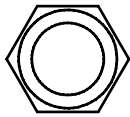
(C9) 3/8" (I.D.) FLAT WASHER Ø19 QTY. 2



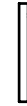
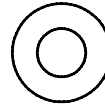
(B4) NYLON LOCK NUT 1/2" QTY. 4



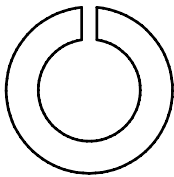
(C10) 3/8" SPRING WASHER QTY. 1



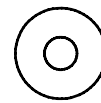
(B5) NYLON LOCK NUT 3/8" QTY. 1



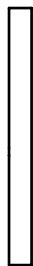
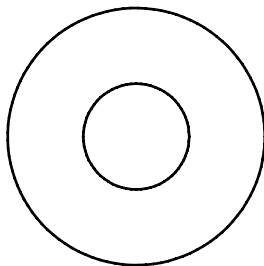
(C11) M6 (I.D.) FLAT WASHER Ø13 QTY. 20



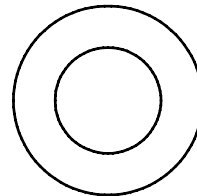
(C7) 1/2" SPRING WASHER QTY. 1



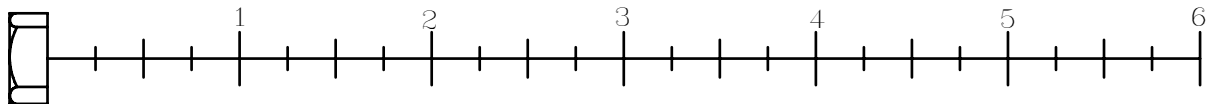
(C12) M4 (I.D.) FLAT WASHER Ø12 QTY. 2



(C8) 1/2" (I.D.) FLAT WASHER Ø34 QTY. 6



(C13) 1/2" (I.D.) FLAT WASHER Ø25 QTY. 2





# DPRS ASSEMBLY INSTRUCTIONS

## HARDWARE ILLUSTRATION

D1.	3/4"X16L STEEL BUSHING (8110-066)	[2PCS]
D2.	30X20X1.5T CU WASHER (8520-007)	[4PCS]
D3.	8 SPRING SNAP LINK(8810-001)	[1PCS]
D4.	20X40 END CAP(9211-008)	[4PCS]
D5.	50X75(30X60)NYLON BUSHING(9211-083)	[2PCS]
D6.	58X116 END CAP(9211-112)	[4PCS]
D7.	40X80 END CAP(9211-113)	[2PCS]
D8.	3/4" SHAFT COLLAR(9211-046)	[2PCS]
D9.	4" RUBBER DOUNT(9310-017)	[2PCS]
D10.	95X250 RUBBER PAD(9310-060)	[4PCS]
D11.	40X70 FRICTION TAPE(9440-068)	[2PCS]
D12.	20X120 FRICTION TAPE(9440-083)	[2PCS]
D13.	117 PULLEY(9213-010B)	[7PCS]
D14.	WEIGHT SELECTOR BAR(8210-042)	[1PCS]
D15.	TOP PLATE(8400-006)	[1PCS]
D16.	2420mm STEEL CABLE(FDPRSA)	[1PCS]
D17.	2675mm STEEL CABLE(FDPRSB)	[1PCS]
D18.	DPRS For DGYM Steel Cable(FDPRSC)	[1PCS]
D19.	95X250 RUBBER PAD(9310-061)	[1PCS]

D1



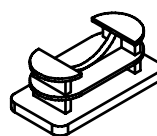
D2



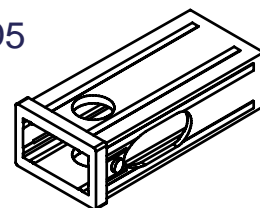
D3



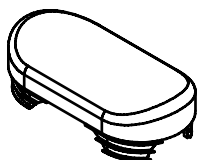
D4



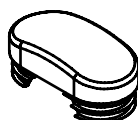
D5



D6



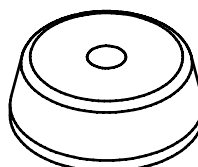
D7



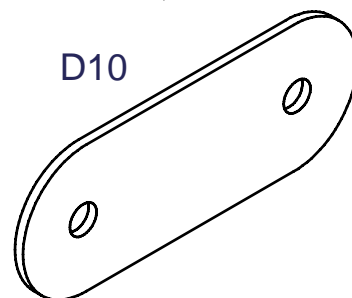
D8



D9



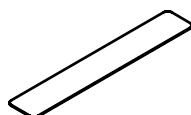
D10



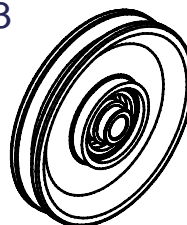
D11



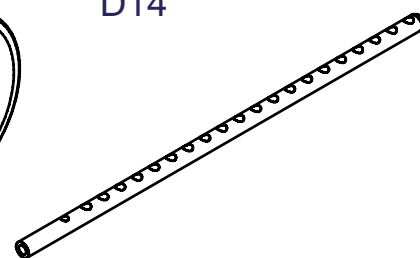
D12



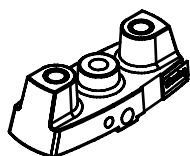
D13



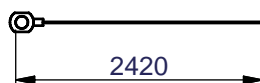
D14



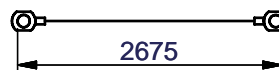
D15



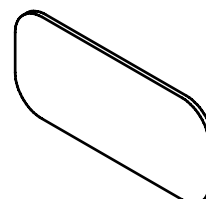
D16



D17



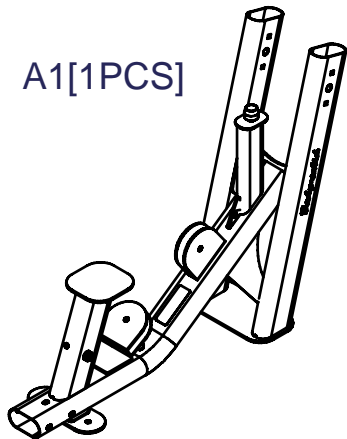
D19



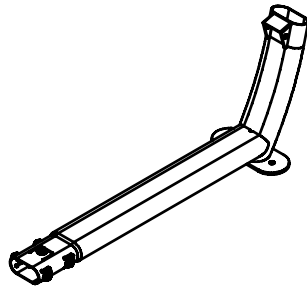
# DPRS ASSEMBLY INSTRUCTIONS

## PARTS ILLUSTRATION SHEET

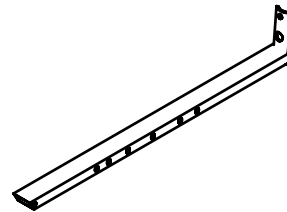
A1[1PCS]



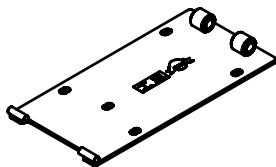
B[1PCS]



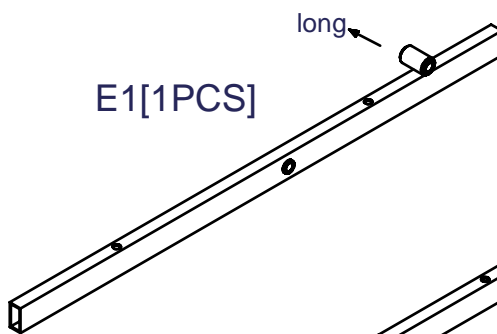
C[1PCS]



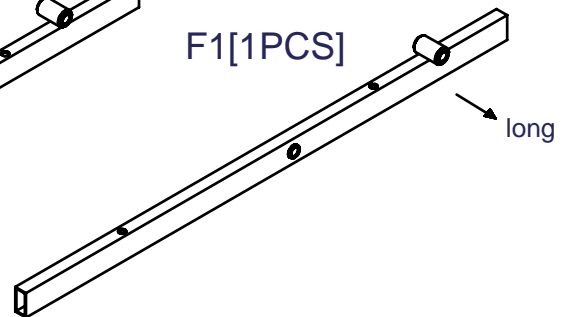
D1[1PCS]



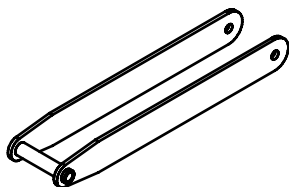
E1[1PCS]



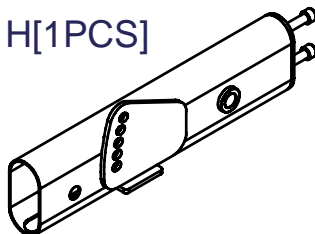
F1[1PCS]



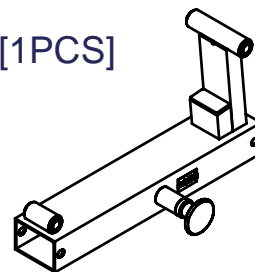
G[1PCS]



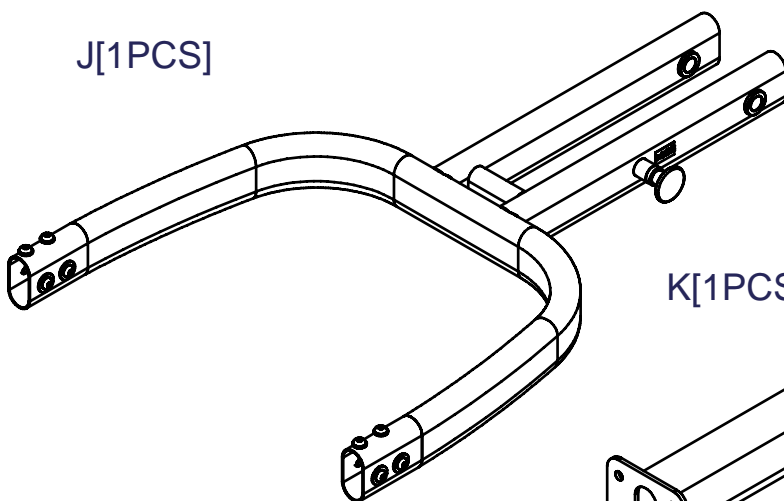
H[1PCS]



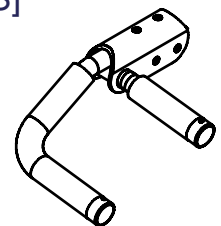
I[1PCS]



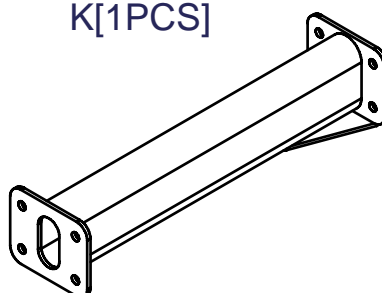
J[1PCS]



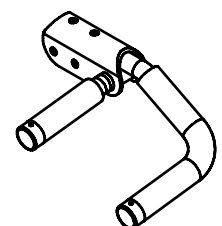
L[1PCS]



K[1PCS]



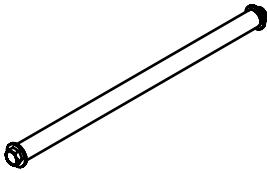
M[1PCS]



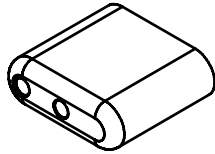
# DPRS ASSEMBLY INSTRUCTIONS

## PARTS ILLUSTRATION SHEET

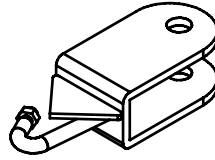
N[1PCS]  
8220-136  
Ø20X360L



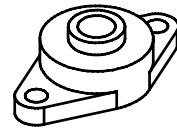
O[1PCS]  
8230-009



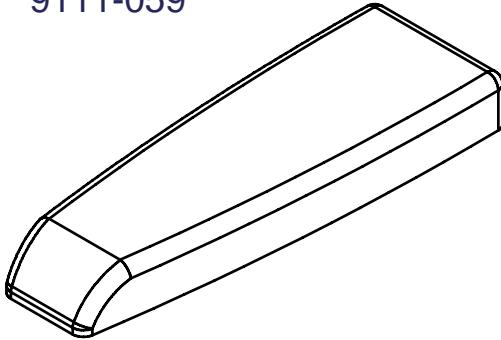
P[1PCS]  
6640-001



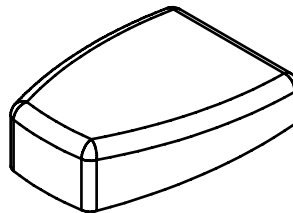
Q[2PCS]  
8510-040



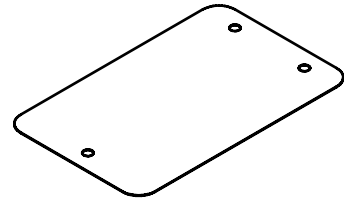
R[1PCS]  
9111-059



S[1PCS]  
9121-056



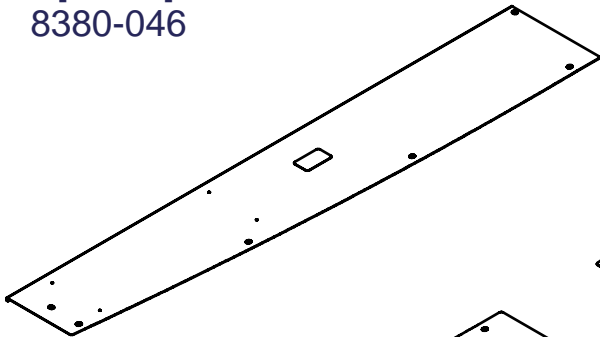
T[1PCS]  
9170-002



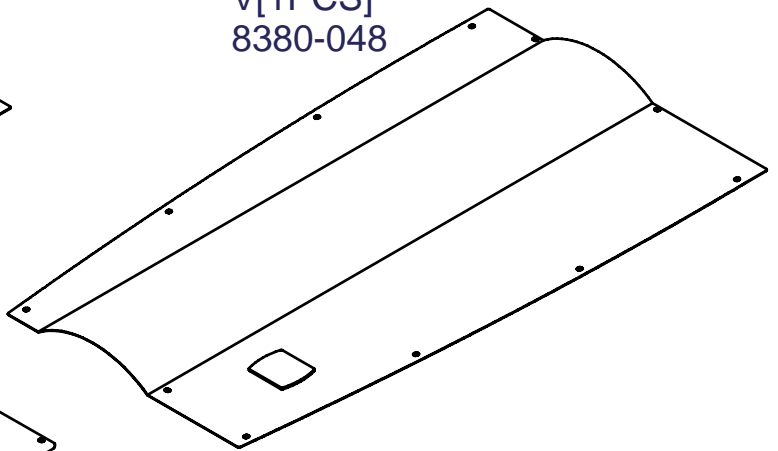
# DPRS ASSEMBLY INSTRUCTIONS

## FRAME PARTS ILLUSTRATION SHEET

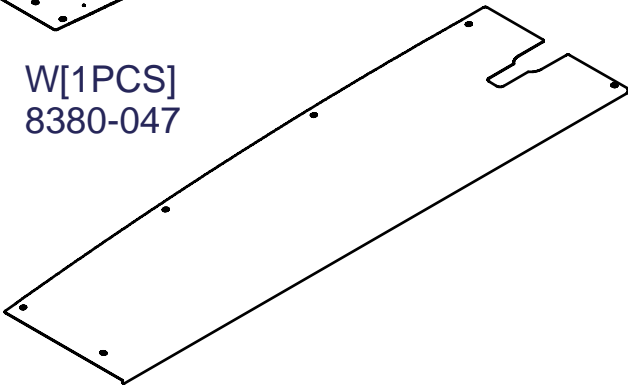
U[1PCS]  
8380-046



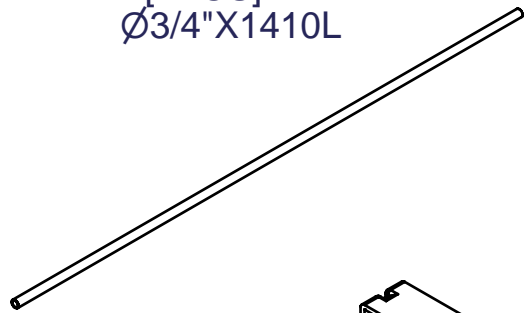
V[1PCS]  
8380-048



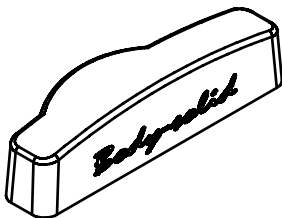
W[1PCS]  
8380-047



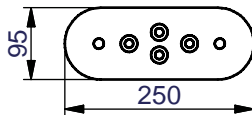
X[2PCS]  
Ø3/4"X1410L



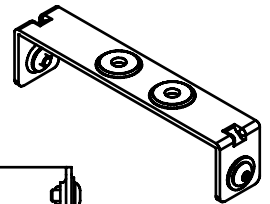
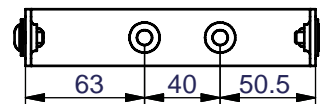
Y[1PCS]  
9211-111



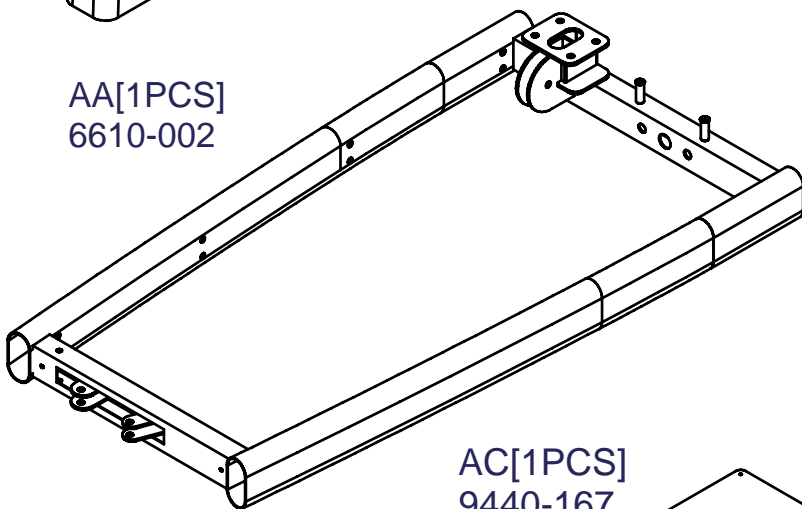
Z[2PCS]  
8313-144



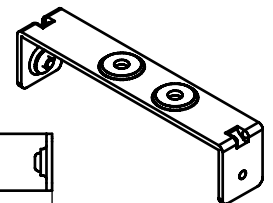
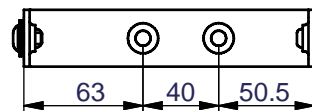
AD[9PCS]  
8321-040  
both side



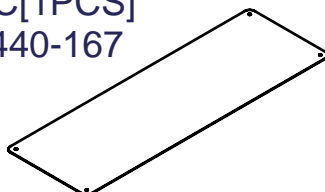
AA[1PCS]  
6610-002



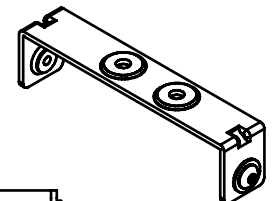
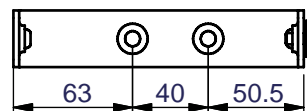
AE[1PCS]  
8321-040  
one side



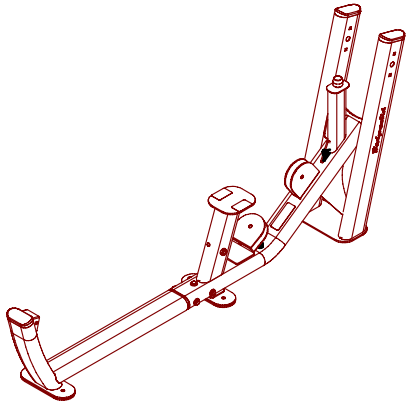
AC[1PCS]  
9440-167



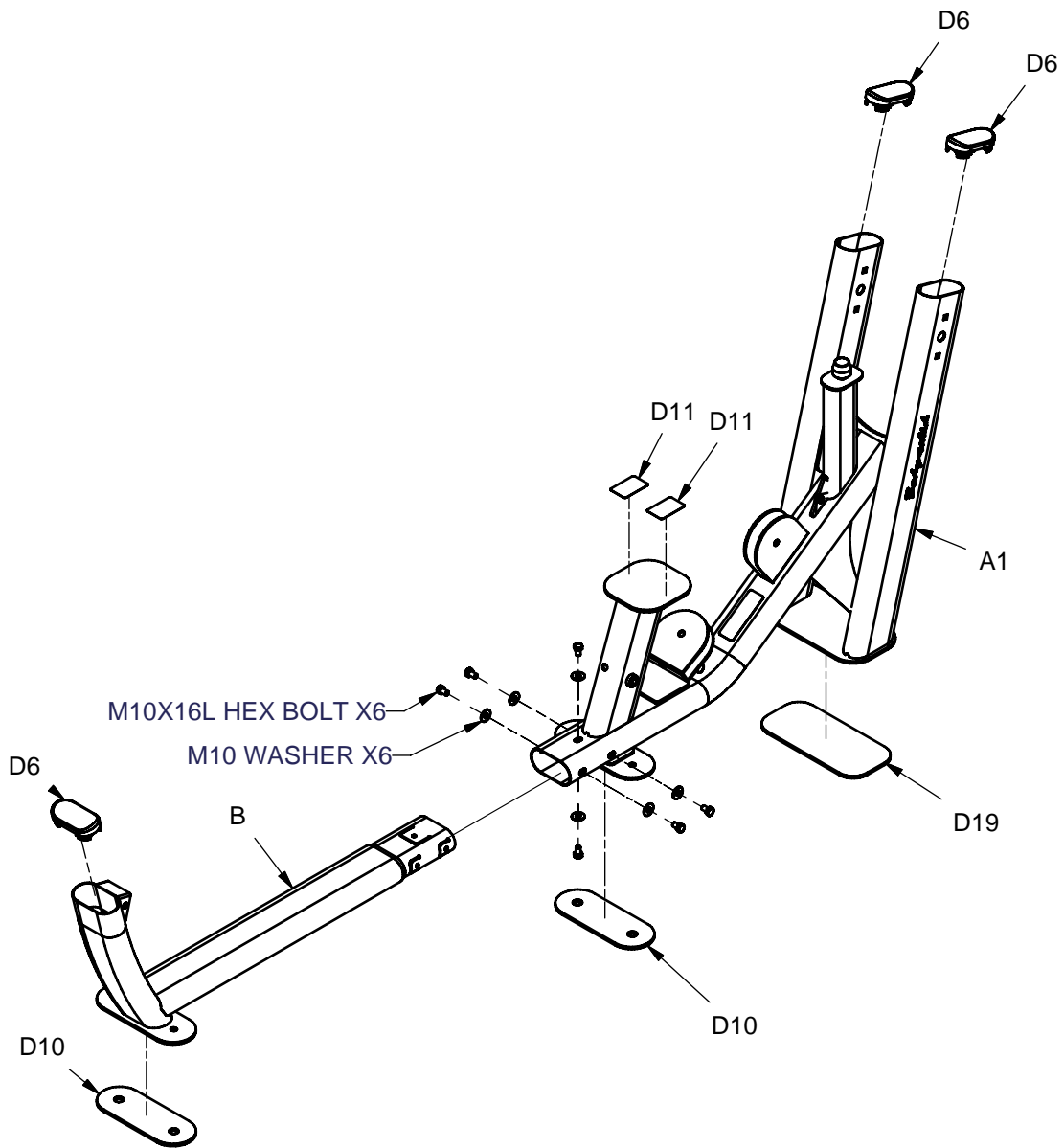
AF[2PCS]  
8321-040  
one side



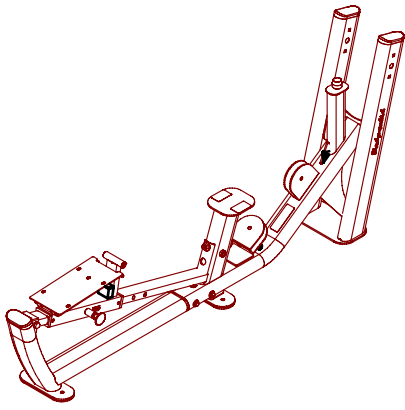
# DPRS ASSEMBLY INSTRUCTIONS



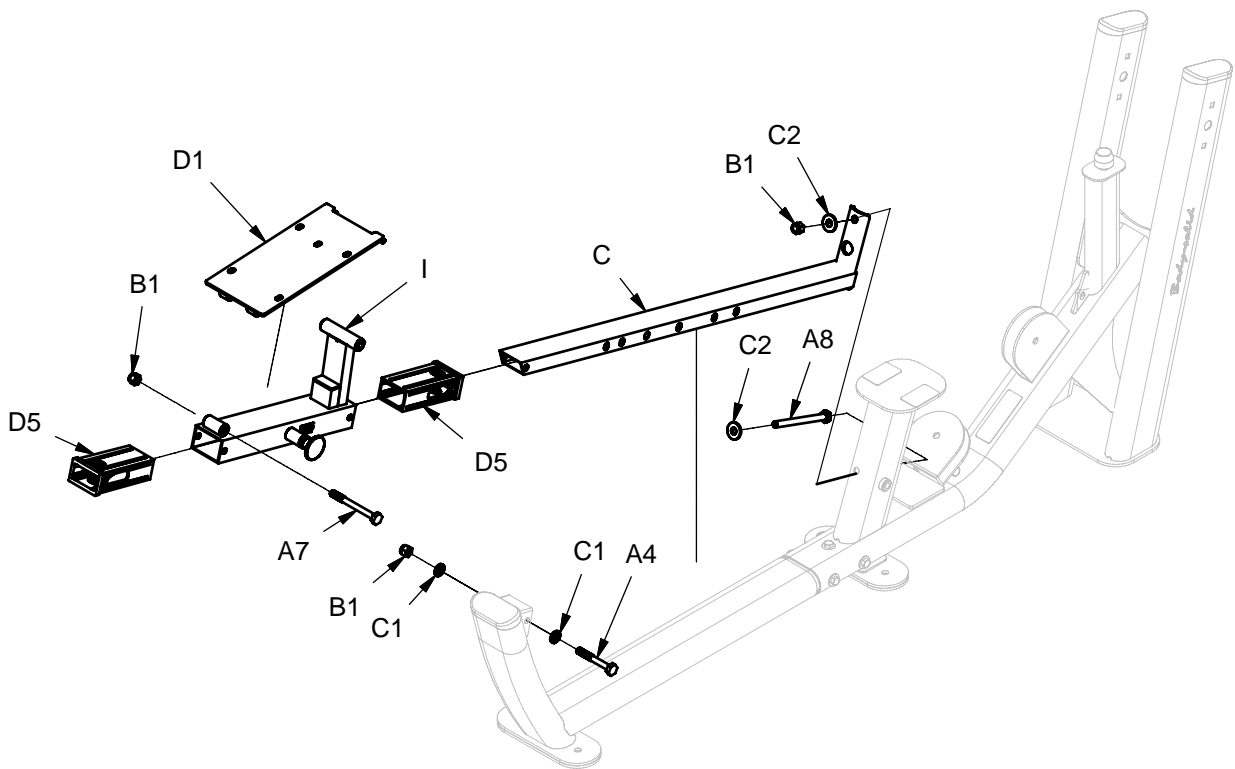
Above shows STEP 1  
assembled and completed



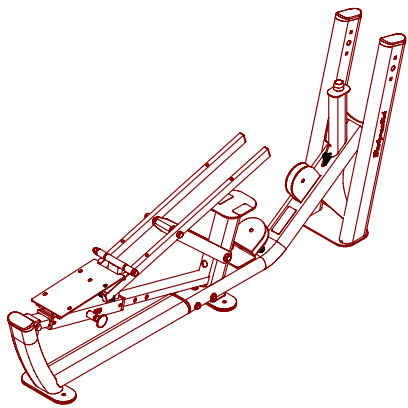
# DPRS ASSEMBLY INSTRUCTIONS



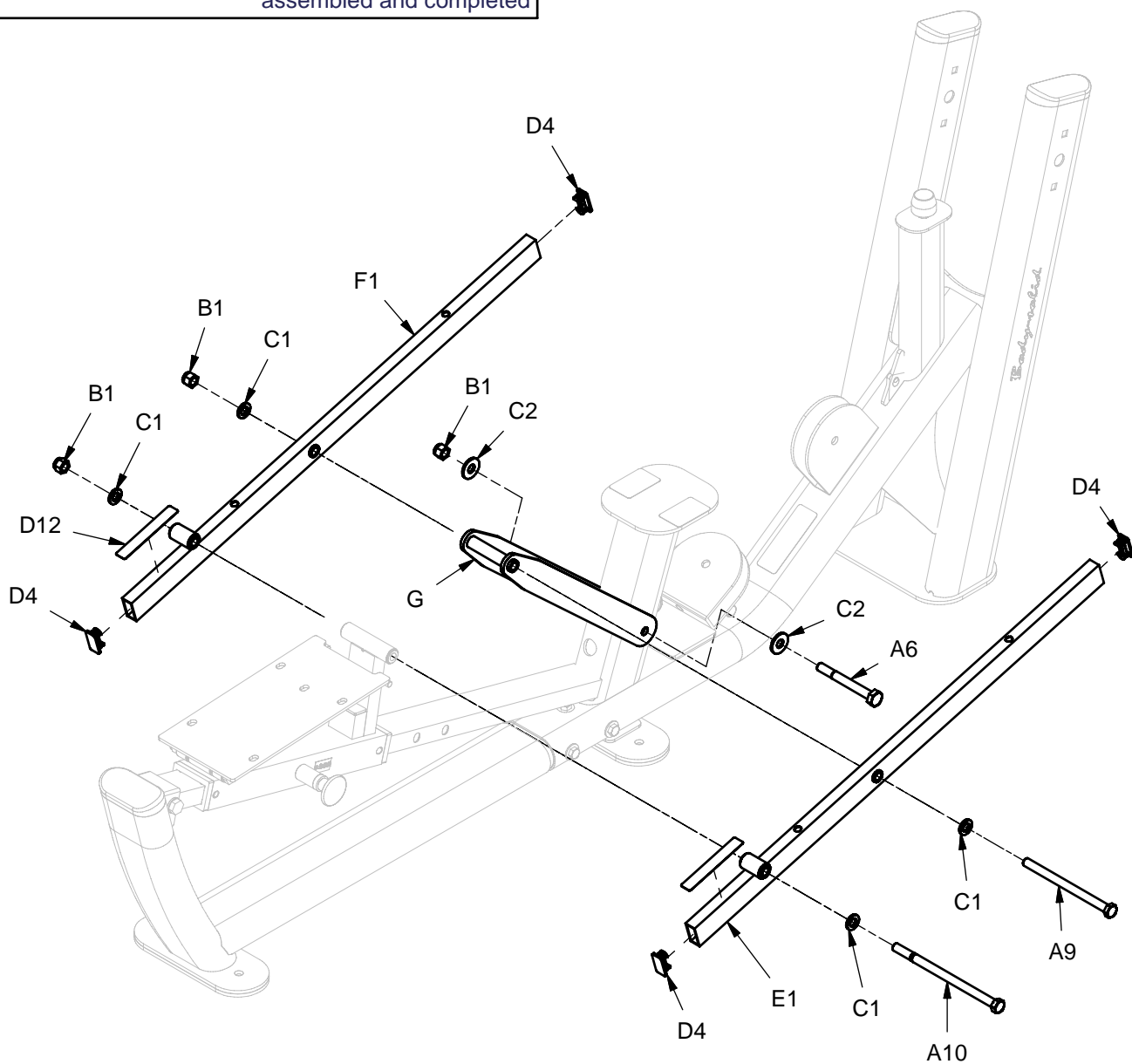
Above shows STEP 2  
assembled and completed



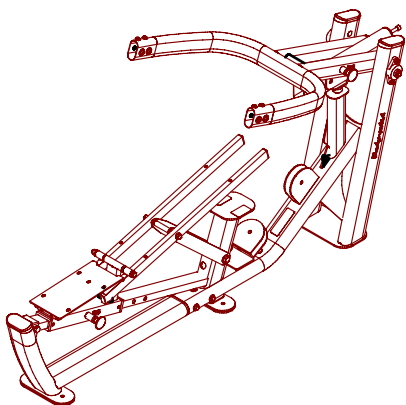
# DPRS ASSEMBLY INSTRUCTIONS



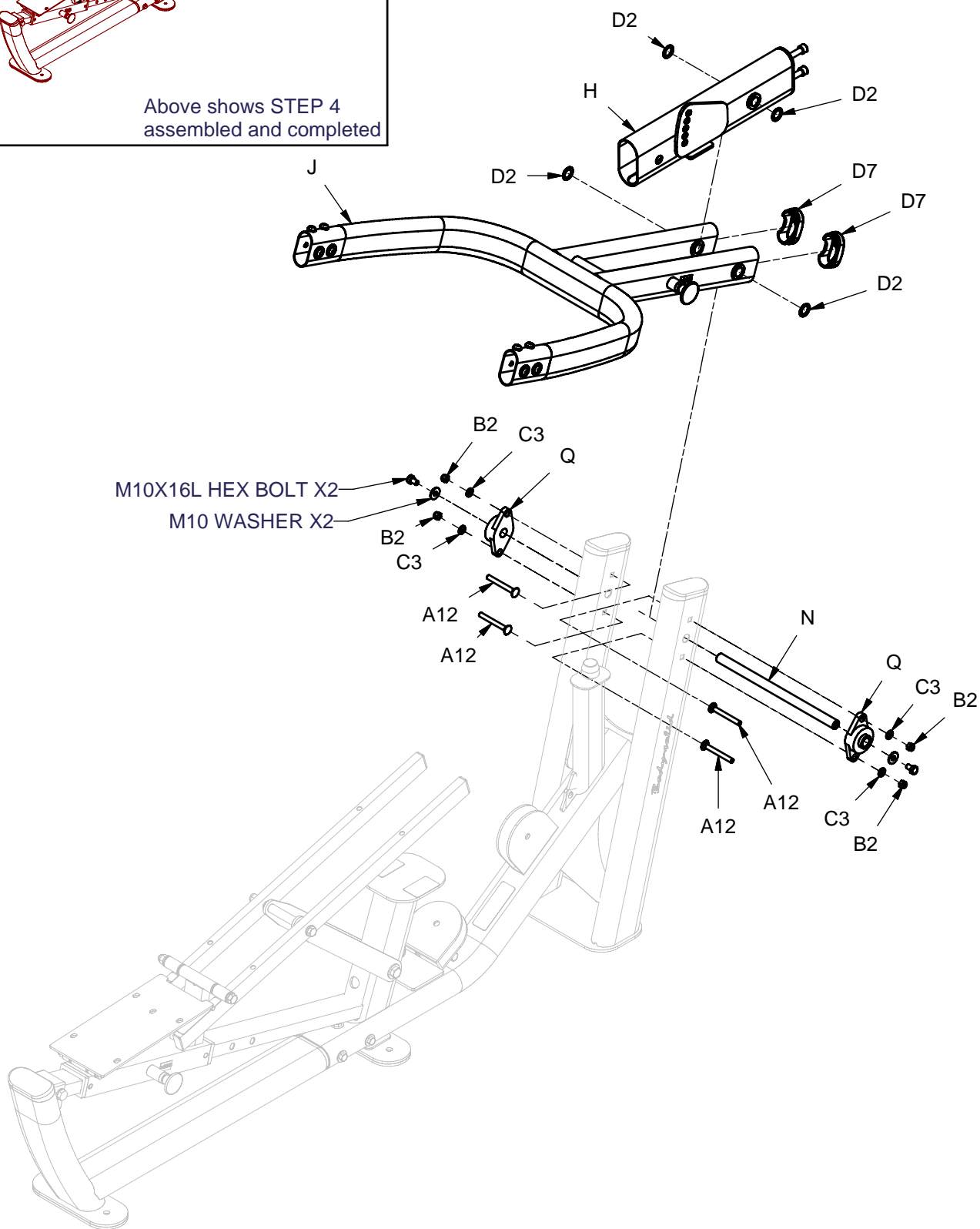
Above shows STEP 3  
assembled and completed



# DPRS ASSEMBLY INSTRUCTIONS

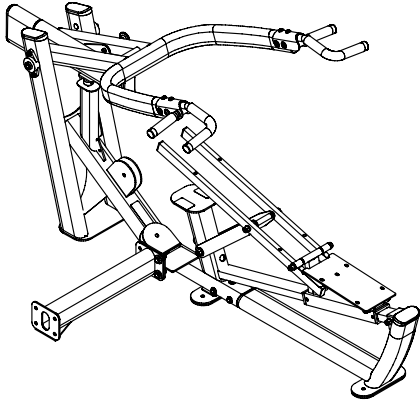


Above shows STEP 4 assembled and completed

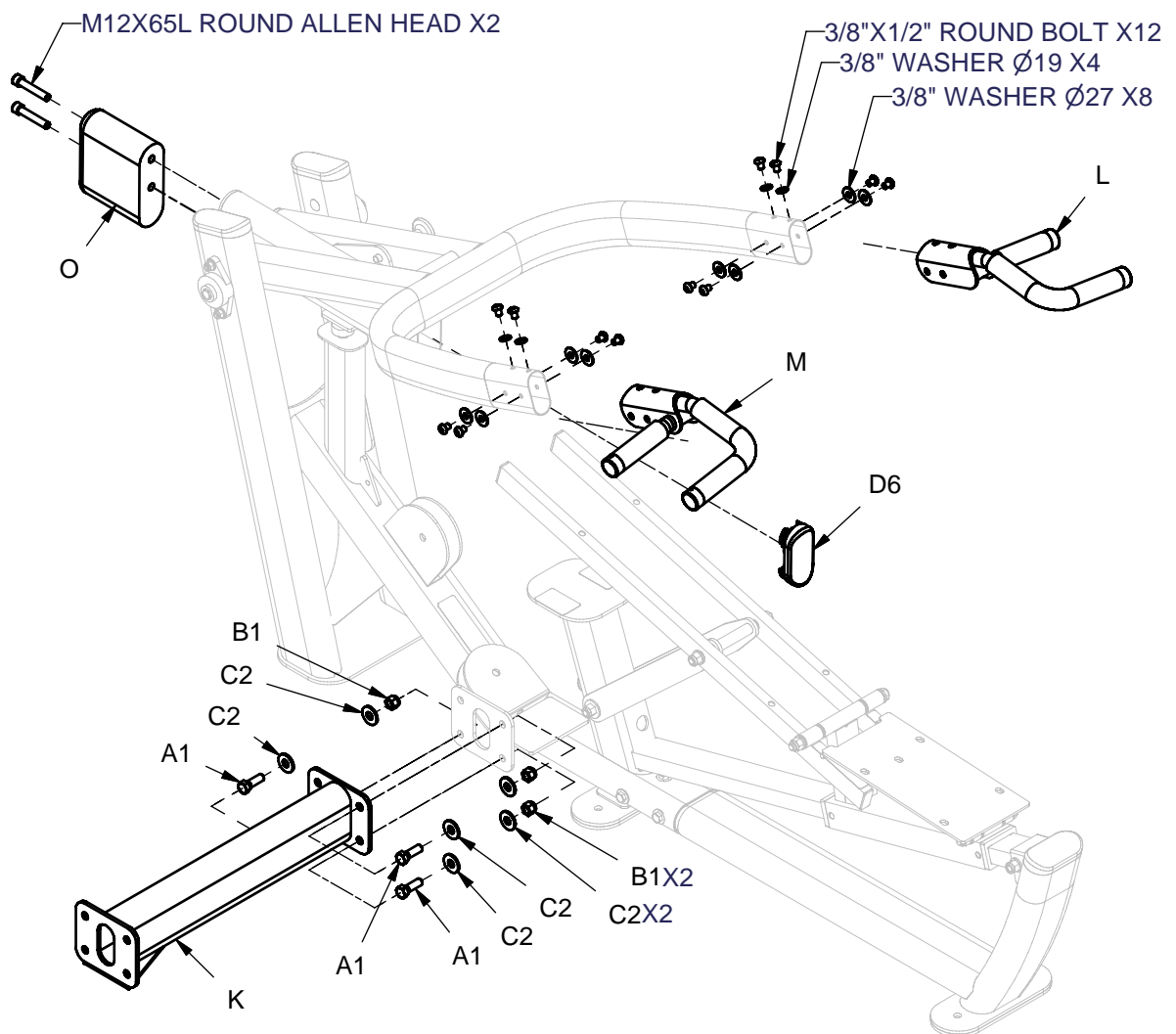




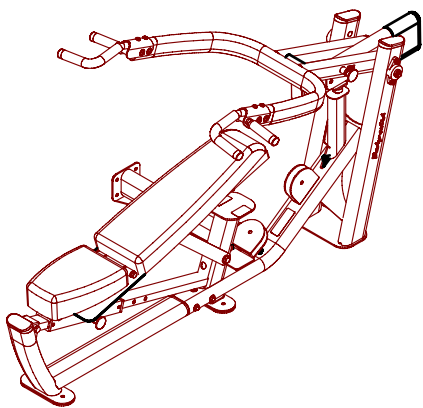
# DPRS ASSEMBLY INSTRUCTIONS



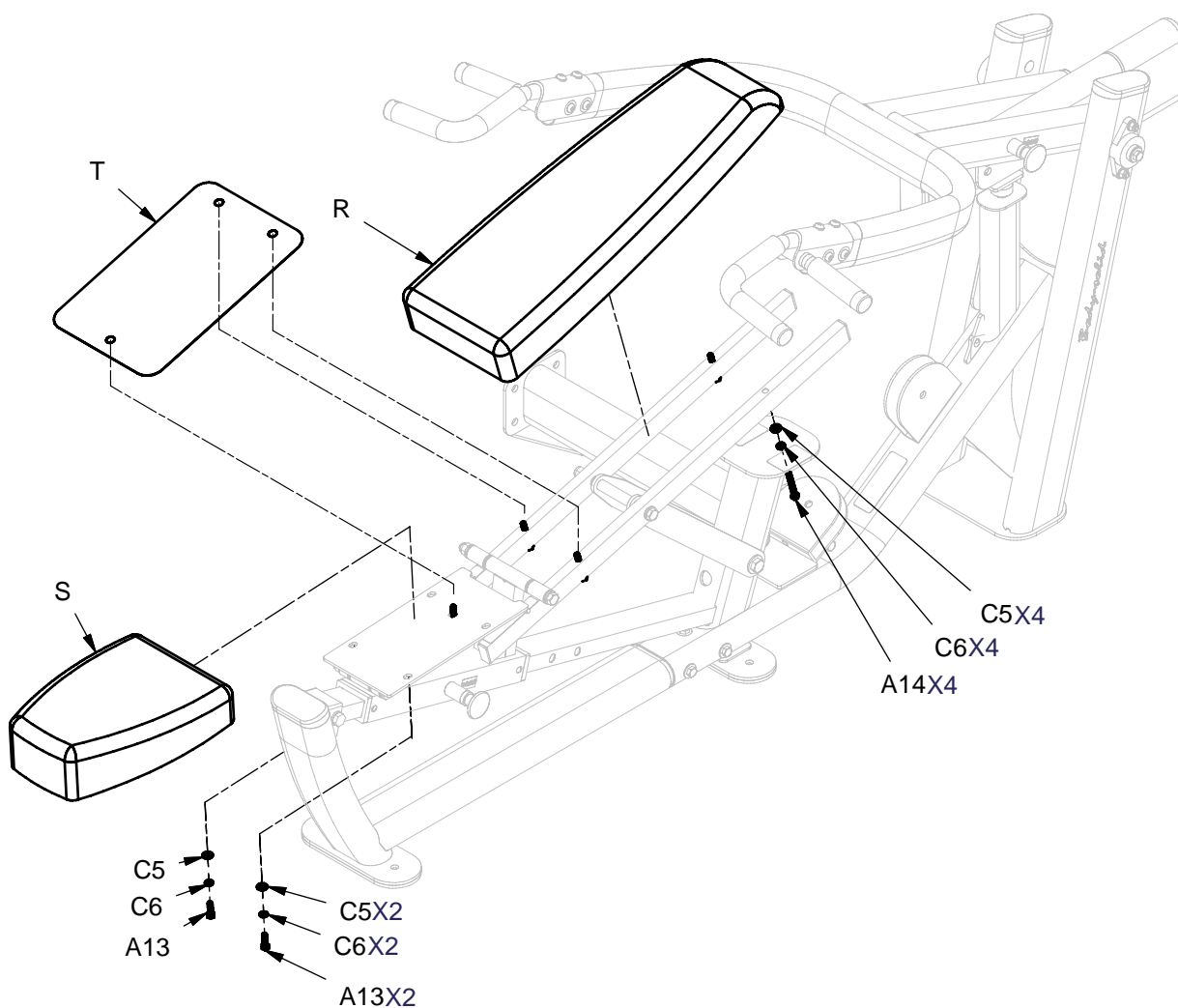
Above shows STEP 5 assembled and completed



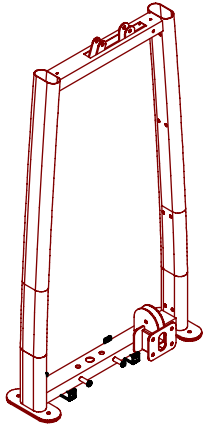
# DPRS ASSEMBLY INSTRUCTIONS



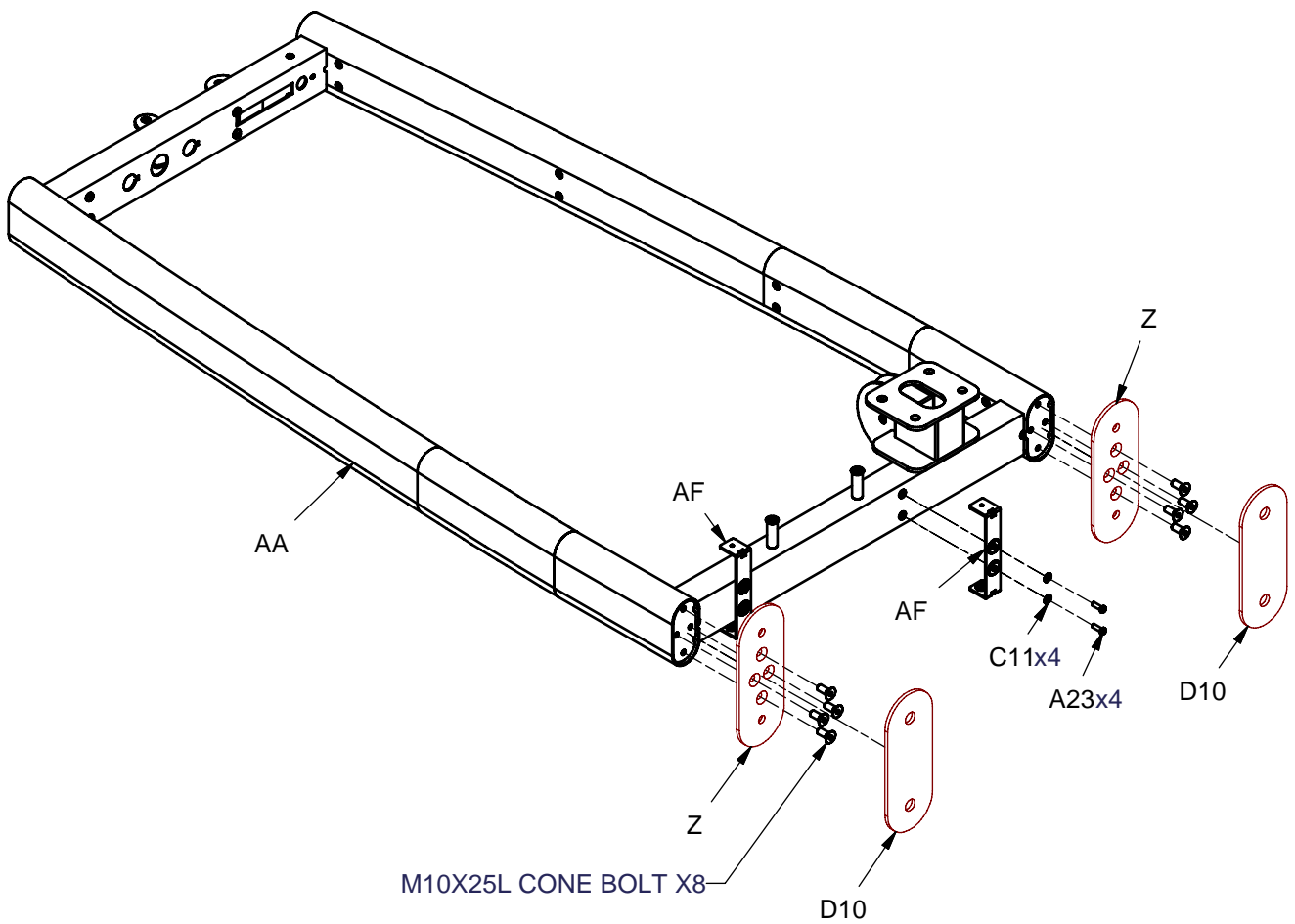
Above shows STEP 6  
assembled and completed



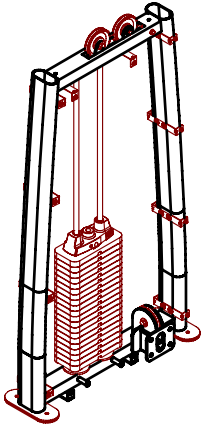
# DPRS ASSEMBLY INSTRUCTIONS



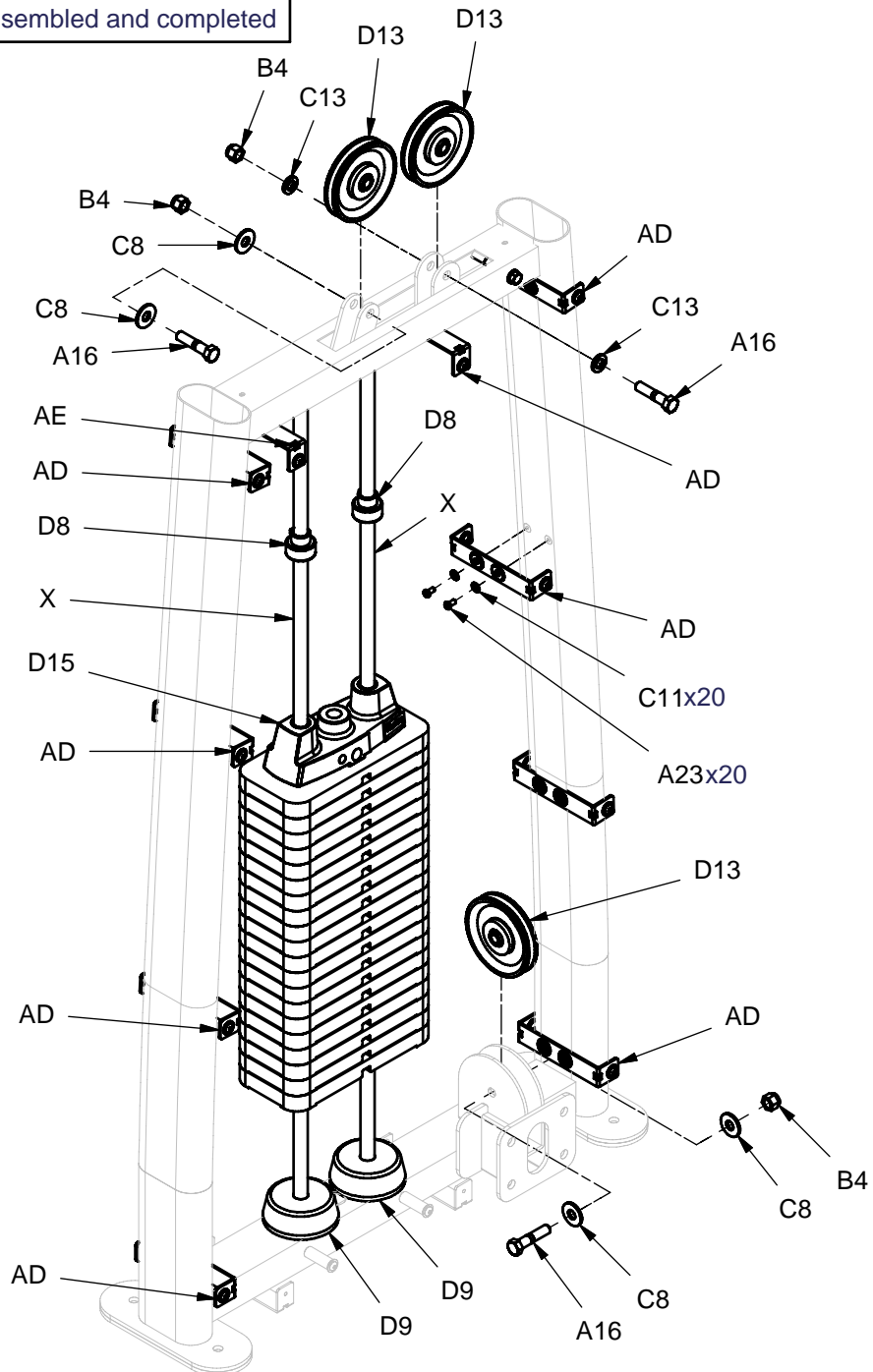
Above shows STEP 7  
assembled and completed



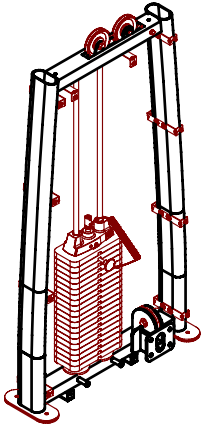
# DPRS ASSEMBLY INSTRUCTIONS



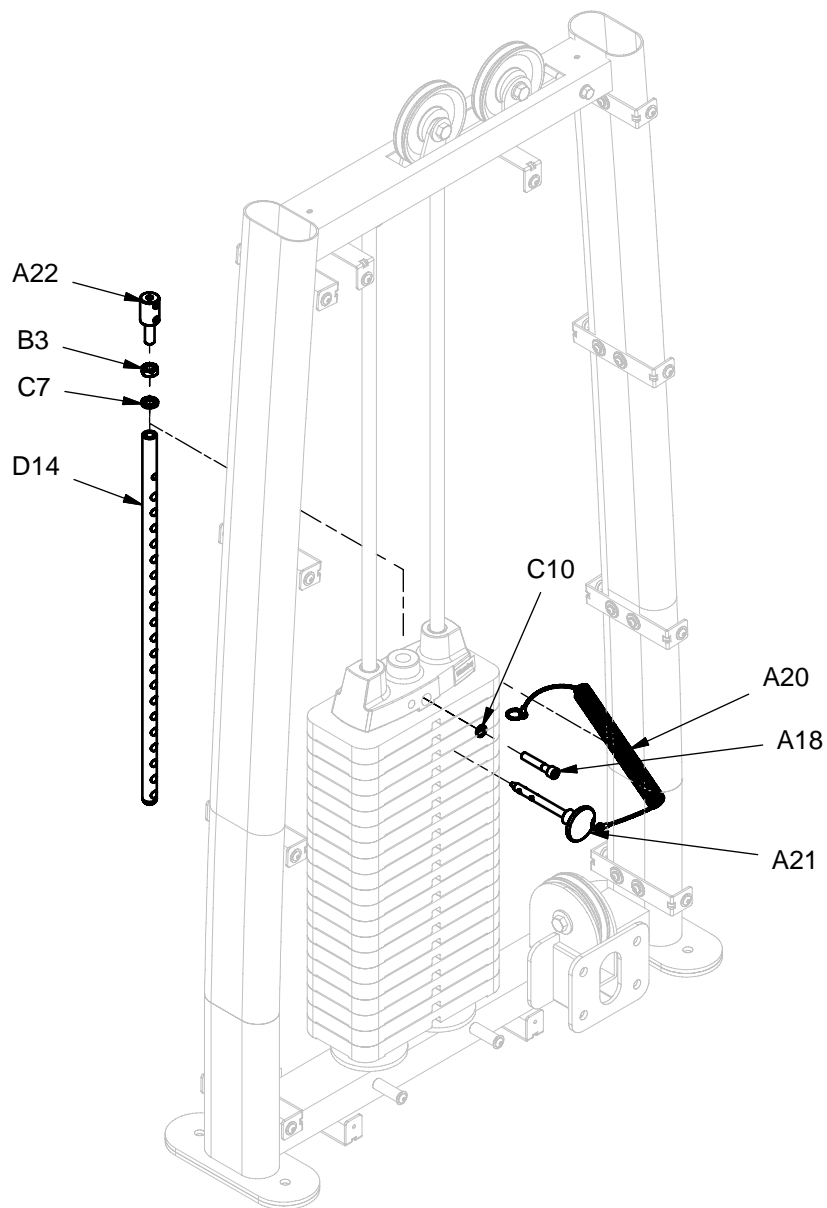
Above shows STEP 8 assembled and completed



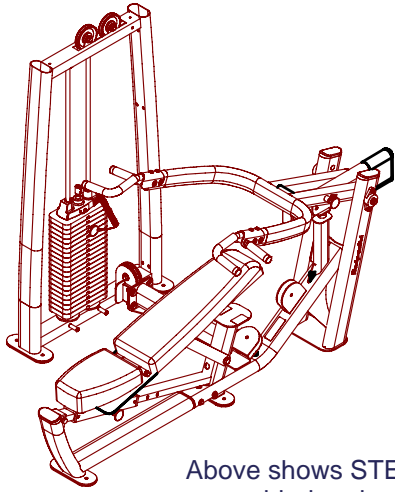
# DPRS ASSEMBLY INSTRUCTIONS



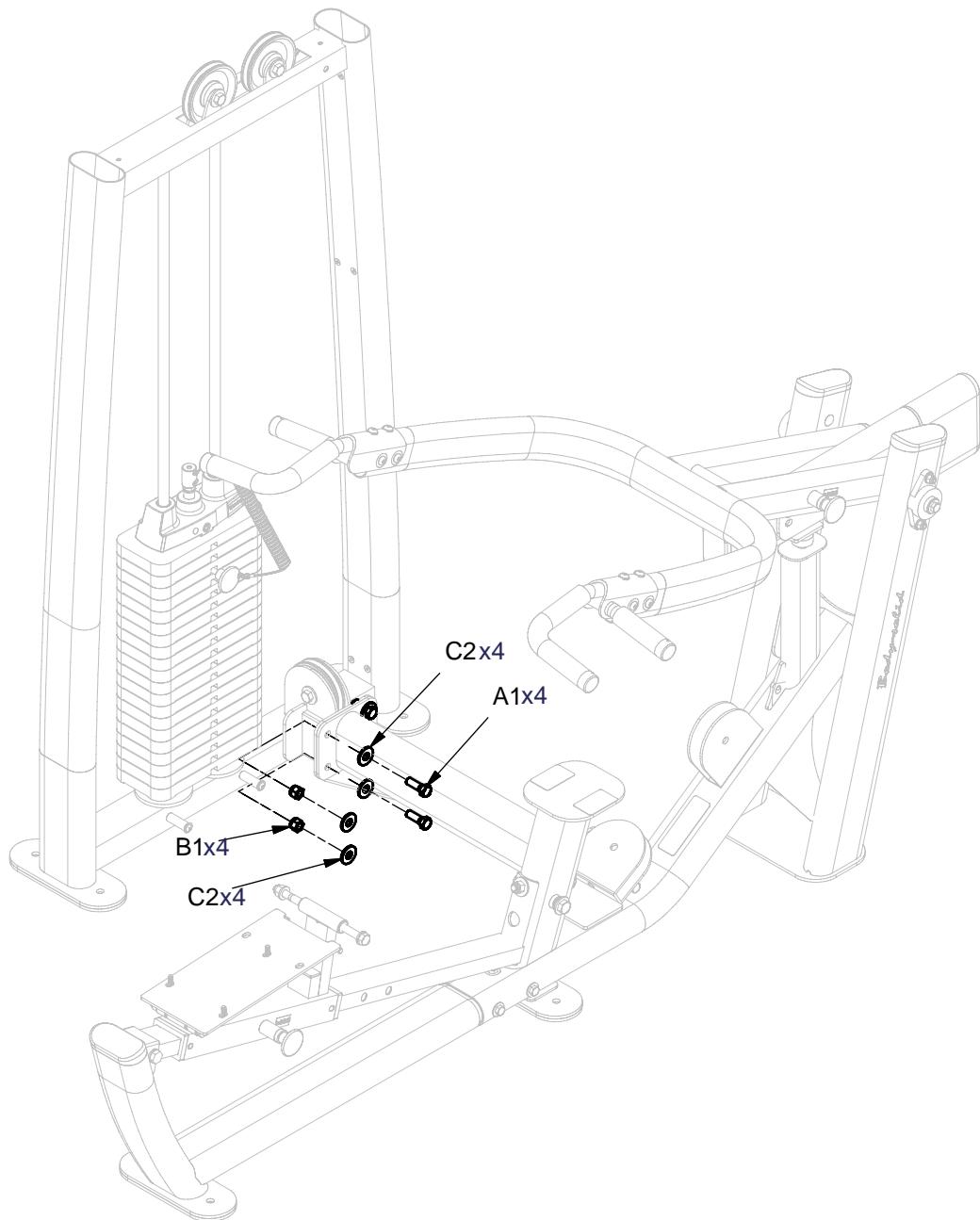
Above shows STEP 9  
assembled and completed



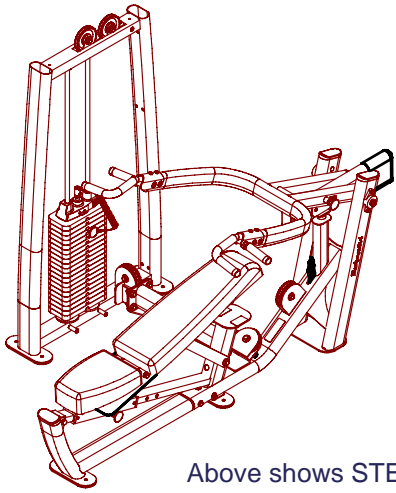
# DPRS ASSEMBLY INSTRUCTIONS



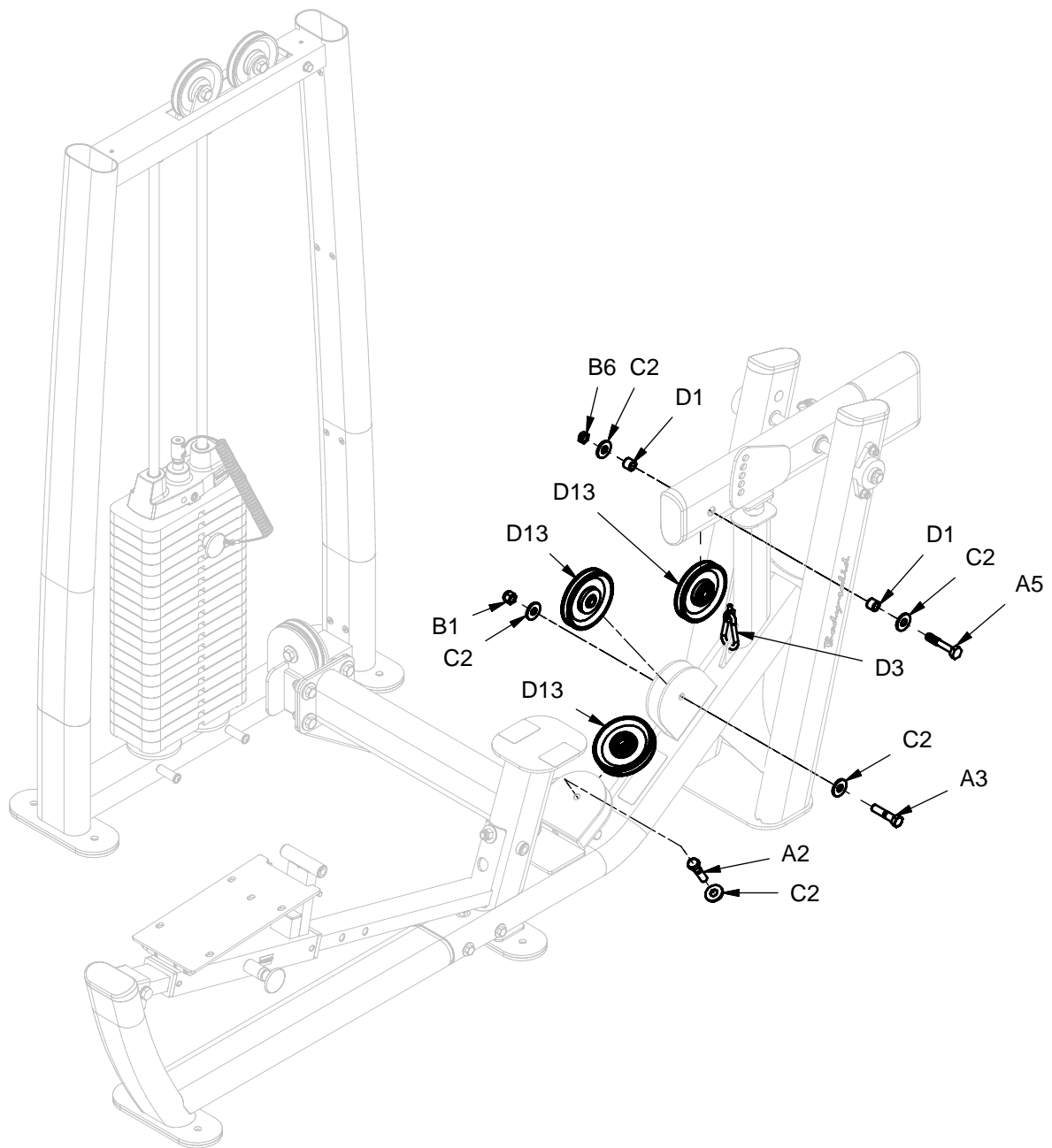
Above shows STEP 10  
assembled and completed



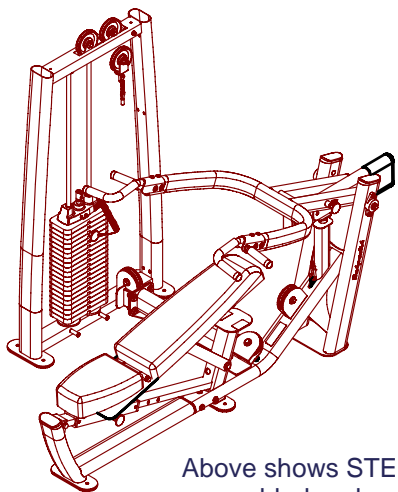
# DPRS ASSEMBLY INSTRUCTIONS



Above shows STEP 11  
assembled and completed

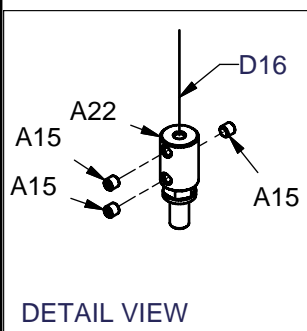
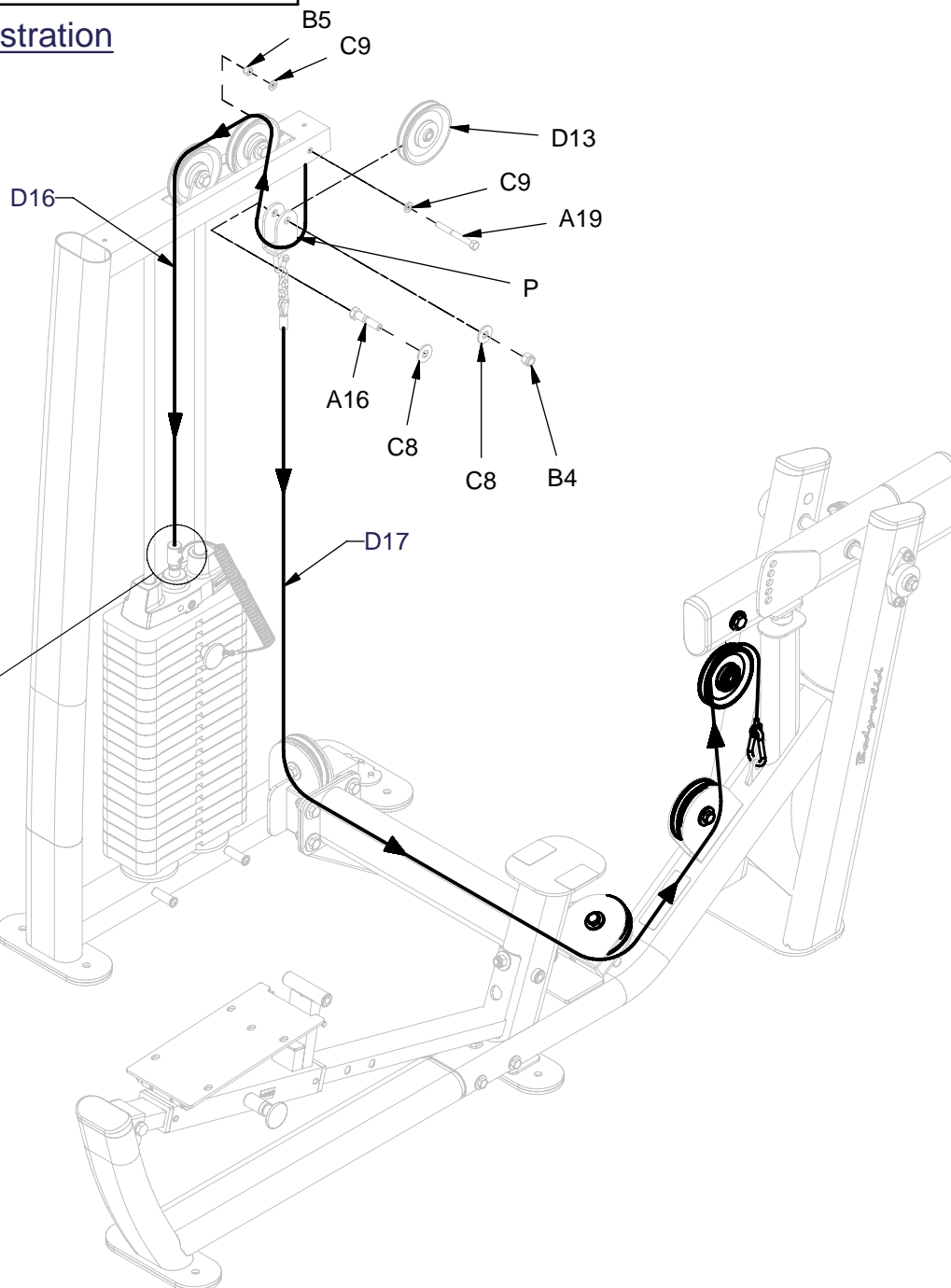


# DPRS ASSEMBLY INSTRUCTIONS



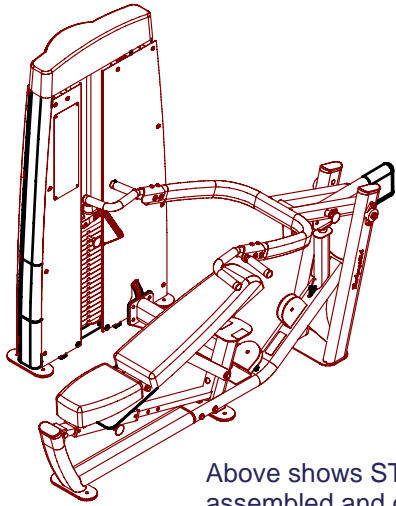
Above shows STEP 12 assembled and completed

## Cable to match illustration

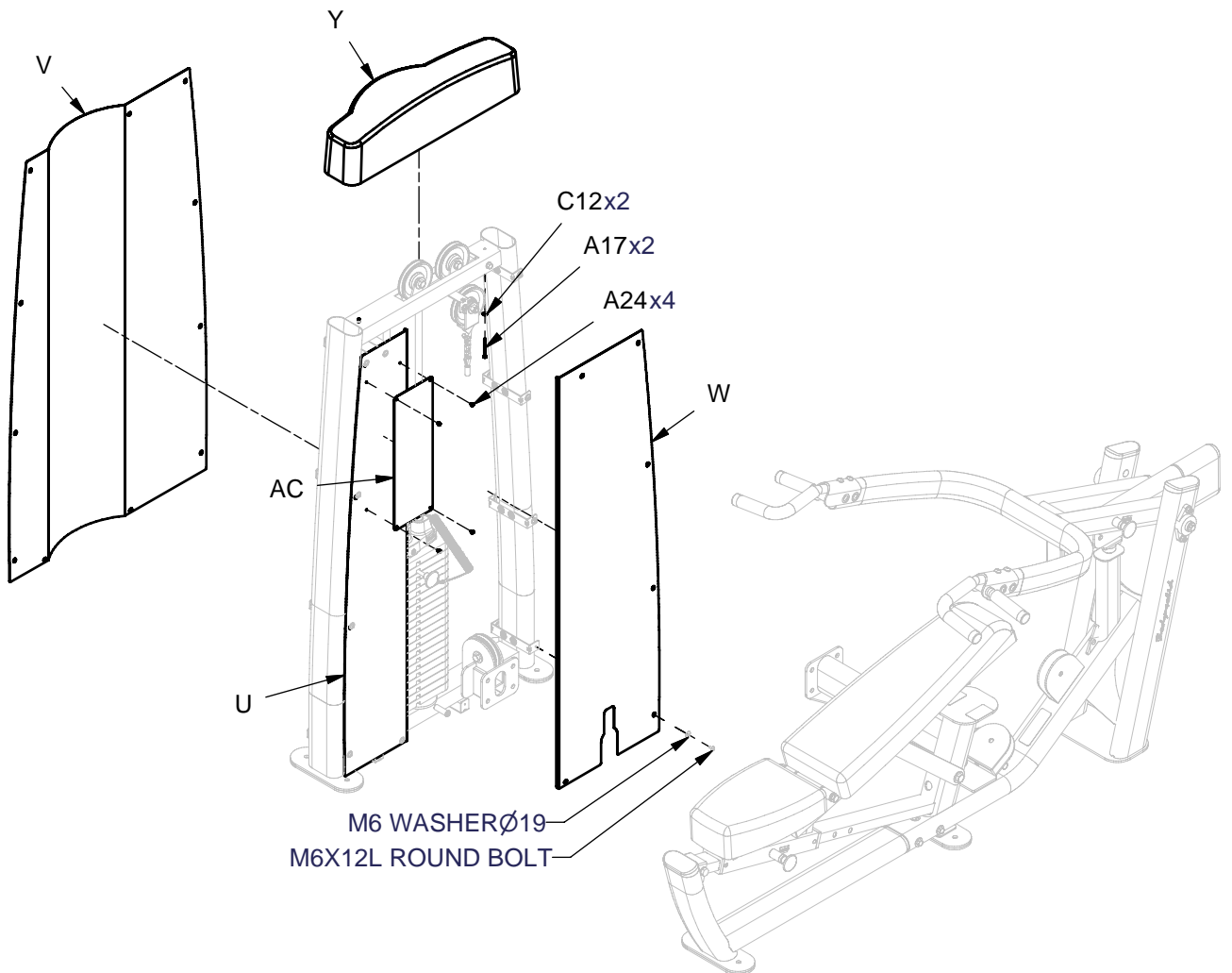




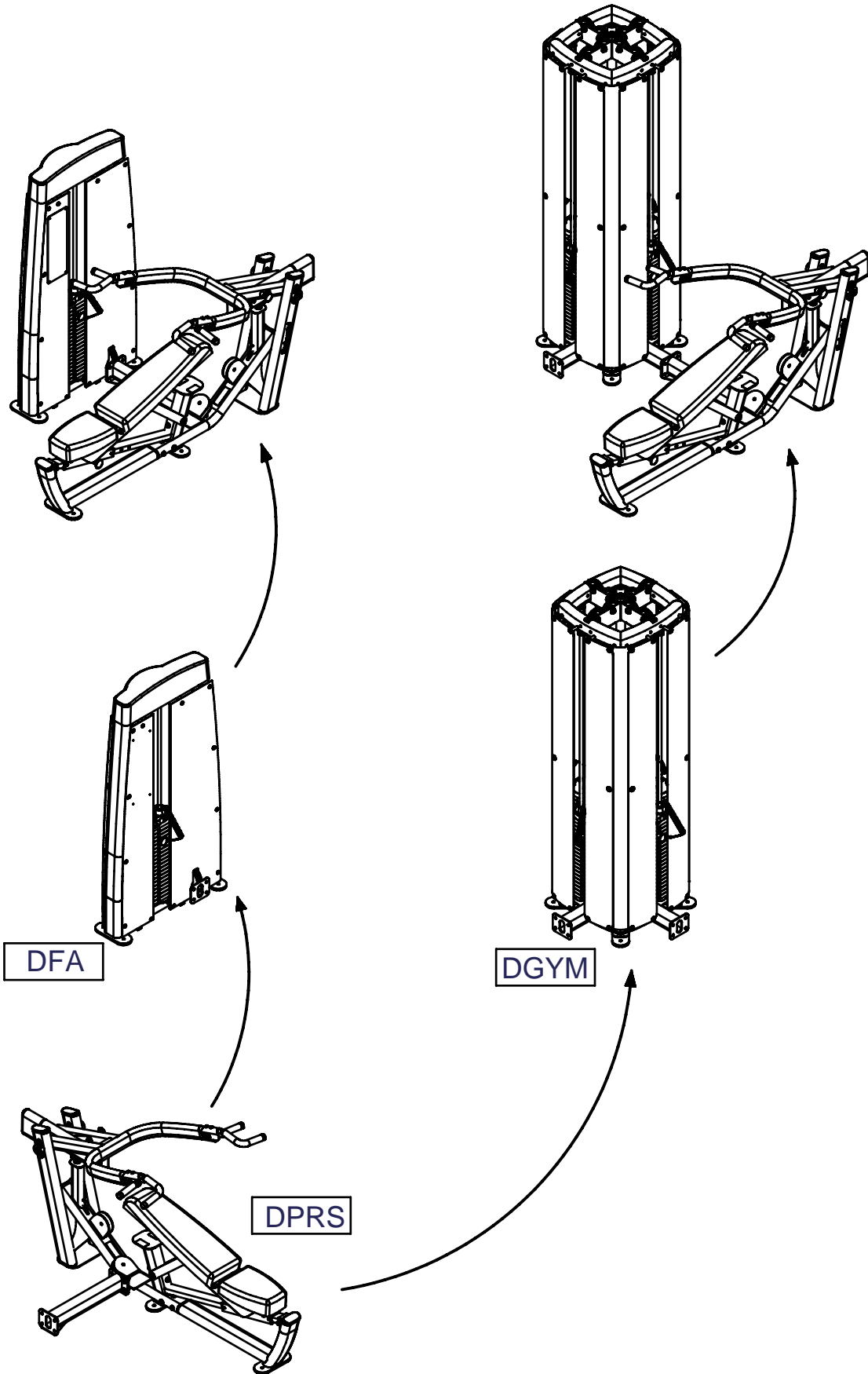
# DPRS ASSEMBLY INSTRUCTIONS



Above shows STEP 12  
assembled and completed



# DPRS ASSEMBLY INSTRUCTIONS



# DPRS ASSEMBLY INSTRUCTIONS

Cable to match illustration

