

lifetime limited warranty

Your Drive brand product is warranted to be free of defects in materials and workmanship for the lifetime of the original consumer purchaser.

This device was built to exacting standards and carefully inspected prior to shipment. This Lifetime Limited Warranty is an expression of our confidence in the materials and workmanship of our products and our assurance to the consumer of years of dependable service.

In the event of a defect covered by this warranty, we will, at our option, repair or replace the device.

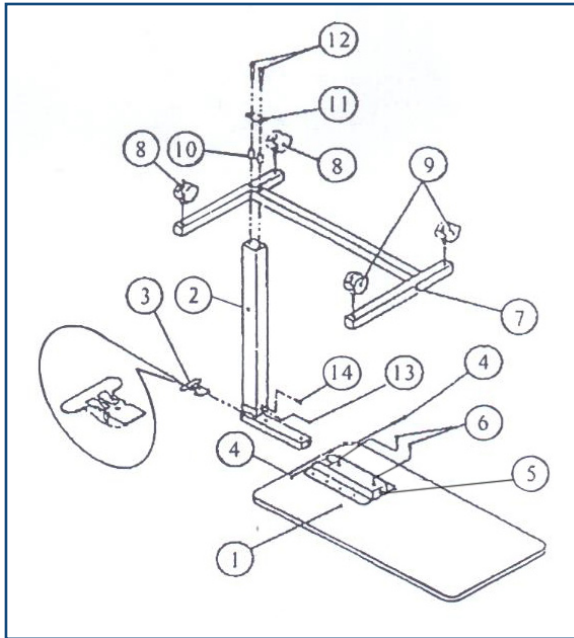
This warranty does not cover device failure due to owner misuse or negligence, or normal wear and tear. The warranty does not extend to non-durable components, such as rubber accessories, casters, and grips, which are subject to normal wear and need periodic replacement.

If you have a question about your Drive device or this warranty, please contact an authorized Drive dealer.

overbed table

item # 13003, 13067





parts list

1. Table Top
2. Column Assembly
3. Trip Lever
4. 1/4-20 Bolt & Nut (1 each)
5. Bracket Top to Column
6. 1/4-12 Bolt (2)
7. Base
8. Casters with Brake
9. Casters without Brake
10. Bolt Sleeves (2)
11. Bolt Plate
12. 3/8-15 x 2" Bolts
13. Black Screw
14. Chrome Screw (Hex-Head Screw)

assembly instructions

1. Open end of box. Slide contents out of box. Lay on level surface. Remove base, table top and hardware.
2. Insert column assembly (2) into top brackets (5) as shown. Be sure the trip rod (inside column) is fully inserted inside the column. Align holes in column and top bracket and install 2 bolts (6) & fasten.
3. Install trip lever (3) as shown, rounded side facing table top. Be sure trip lever sits on top of rod inside column. Align hole in trip lever (3) with hole in top bracket (5) and insert bolt & nut (4) to fasten the trip lever & top bracket.
4. Place 2 bolts (12) through bolt plate (11) and 2 bolt sleeves (10). Place bolt assembly into base to column.
5. Install casters (8, 9) as shown and replace with chrome screw.

CAUTION

FOR SAFETY DO NOT REMOVE BLACK SCREW ON COLUMN UNTIL TABLE IS FULLY ASSEMBLED AND IN A STANDING UPRIGHT POSITION. (CHROME SCREW HEX-HEAD ON COLUMN IS NOT TO BE REMOVED)



DO NOT REMOVE BOTTOM SCREW

operating instructions

1. To raise top to desired height, apply light pressure upward at any point under table.
2. To lower, squeeze trip lever (3) up towards top and push down at column to desired height. Do not put pressure on tabletop end that is opposite the column. Column assembly will lock upon release of trip lever.