

09/20 - USA



Easi-Lift

INSTRUCTIONS FOR USE

Codes 3081-3086




CONTENTS	PAGE
1.0 INTRODUCTION	1
2.0 ILLUSTRATION OF YOUR EASI LIFT CHANGING TABLE	2
3.0 TECHICAL DATA	3
4.0 FOR YOUR SAFETY	4
5.0 SURVEYING AND INSTALLATION	5
6.0 HOW TO USE YOUR EASI LIFT CHANGING TABLE	9
7.0 CARE & MAINTENANCE	11
8.0 WARRANTY & SERVICE	15
9.0 CONTINUOUS IMPROVEMENT	16
10.0 SERVICE INSPECTION	17

1.0 INTRODUCTION

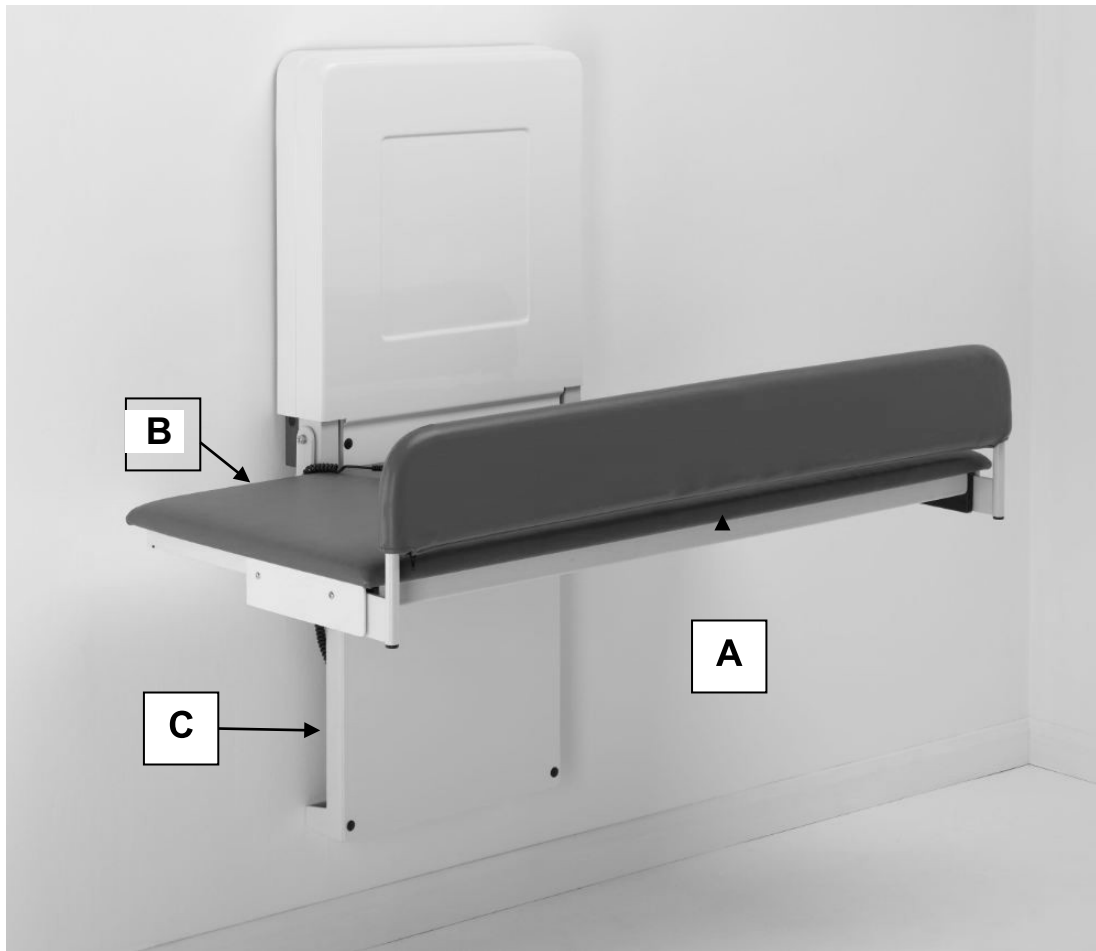
Thank you for choosing the Smirthwaite Easi Lift changing table.

The Easi Lift is an electrically operated wall mounted changing table designed to fit in a room where space is at a premium. Its compact design means that it fits well into a wide range of environments.

	IMPORTANT!
<p>These instructions should be read by all therapists and care givers using the equipment and should be retained for future reference. The product should always be used under adult supervision.</p> <p>Any incorrect use of the product and failure to follow the instructions may put the user at risk or impede the function. If you have any questions using this product or wish for further copies, please do not hesitate to contact Customer Service department on (1) 212 541 2455.</p> <p>This product has been designed and manufactured specifically and solely for use by clients with additional needs.</p>	



2.0 ILLUSTRATION OF YOUR EASI LIFT CHANGING TABLE

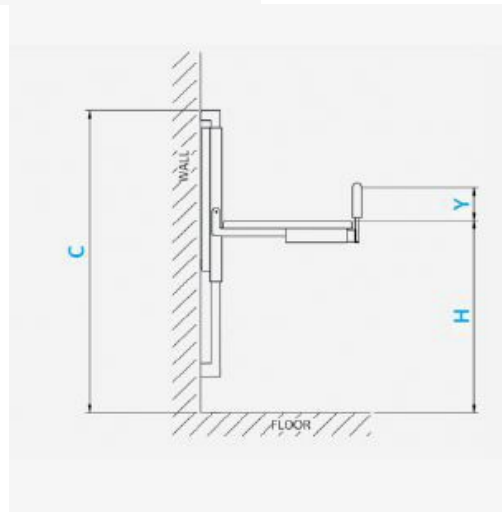
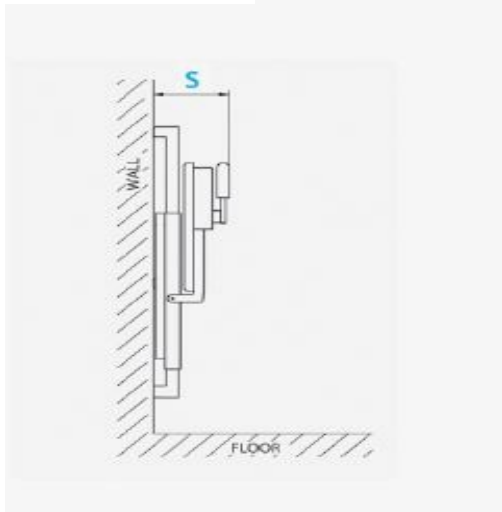
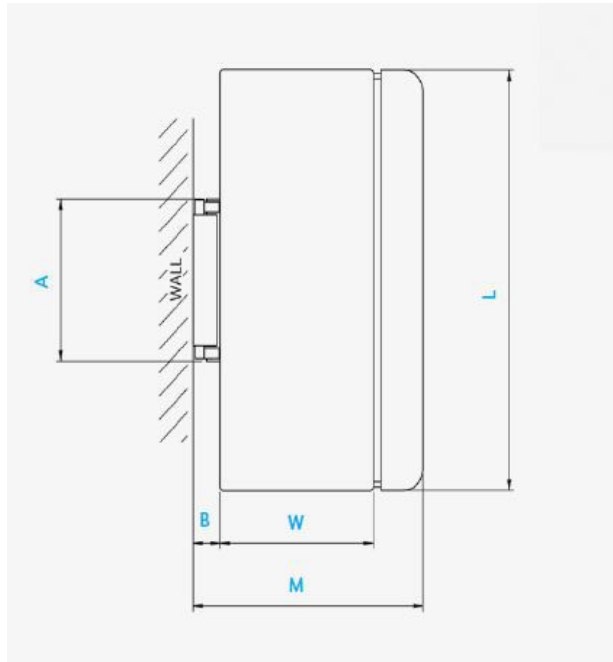


- A. Safety side¹
- B. Bed
- C. Wall frame

¹ The Easi lift is supplied with either standard safety side or stowaway variant (as displayed).



3.0 TECHNICAL DATA



Code	3086
Size	6
User Weight (lbs)	440
Height Range (in)	17.7-37.4 ²
L Length (in)	66.9
W Width (in)	25.6
M Width (in)	43,7
M Width (in) ³	38.3
Y Height (in)	11.8
Y Height (in) ³	6.4
A Width (in)	27.5
B Depth (in)	4.3
C Height (in)	45.2
S Width (in)	12
Shipping Weight (lbs)	198

² Dependent upon installed height

³ When fitted with Stowaway safety rails



4.0 FOR YOUR SAFETY



STOP!

Please read these instructions CAREFULLY and THOROUGHLY

- **DO NOT** attempt to install and use this product in a wet room. Please follow installation instructions as described in Section 5 carefully and thoroughly.
- The user should **NOT** be left unattended while on the changing table. Always ensure a responsible therapist or care giver is in attendance.
- The Easi Lift changing table height should **NEVER** be adjusted without a care giver in attendance.
- Always ensure the safety side is in the 'up' position once a patient is on the table.
- When storing the product vertically (up position), check to ensure that the locking plunger pin is fully engaged.
- When not in use for periods of time, isolate the electrical supply.
- Always keep this product away from flames, cigarettes and sources of heat including open fireplaces, radiators and heaters.
- Regular maintenance checks and cleaning are essential for the safe use of this equipment (see care and maintenance section).
- **DO NOT** fit parts or accessories of other manufacturers to this product unless authorized to do so in writing by Smirthwaite USA LLC. Failure to follow these instructions will not only invalidate the guarantee but could make the product dangerous to use. Smirthwaite USA LLC will not accept liability for any injury or damage incurred through such malpractices. Any repairs required must be carried out by Smirthwaite USA LLC authorized personnel.
- If any part is loose, damaged or functioning incorrectly, **DO NOT** use until rectified.
- If you believe the product or any fitted accessory to be faulty at any time, **DO NOT USE** – contact Smirthwaite by telephone on (1) 212 541 2455.

□



5.0 SURVEYING AND INSTALLATION

5.1 SURVEYING PROCEDURES

- Changing benches/tables are normally installed in small rooms with limited space. In such circumstances it is vitally important to take accurate measurements of the whole room in question, and make a plan to scale if possible.
- **Ensure that the intended wall for installation is strong enough to support the weight of the changing bench plus the patient.**
- If the wall is of brick or concrete construction, it will be strong enough to support the equipment without the need of the backing board.
- If the wall is of hollow or soft insulation block construction, then we would always recommend the backing board is used.
- Check for the position of dado rails, window sills, electrical power points, switches, etc. which may affect the installation.
- Check there is sufficient room around other facilities, e.g. wash basins, toilets, etc.
- Remember to take into account the safety rail dimensions – check that the bench would be capable of adjustment over the height range without fouling.
- Check that doors would be clear and that access is still possible.
- Inspect the wall to see if padding/spacing is required to correct wall imperfections.
- The Easi Lift requires a 220-240V AC 50Hz or 110V AC 60Hz power supply.
- The power connection must be made in an area that is kept free from moisture or connected via a waterproofed socket with isolation switch.

	STOP! If in any doubt, ALWAYS seek PROFESSIONAL ADVICE
---	---

5.2 INSTALLATION TOOLS REQUIRED

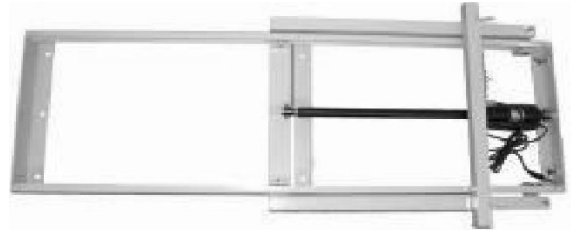
- Electric hand drill, with appropriate drill bits for wood and masonry
- Set of spanners
- Tape measure
- Spirit level
- Hammer
- Screw driver
- Personal Protection Equipment (PPE); gloves, safety glasses



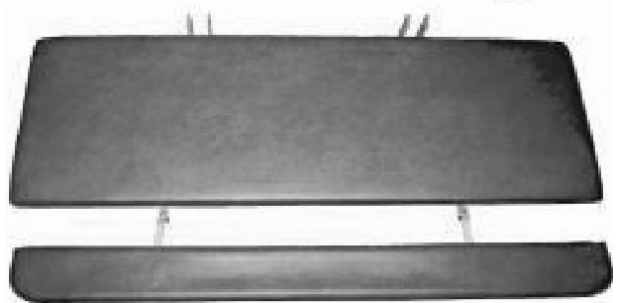
5.3 INSTALLATION PROCEDURE

- Carefully unpack the Easi Lift and lay all parts on to the floor
- Check all components are present and check for damage that may have occurred in transit (see illustration below):

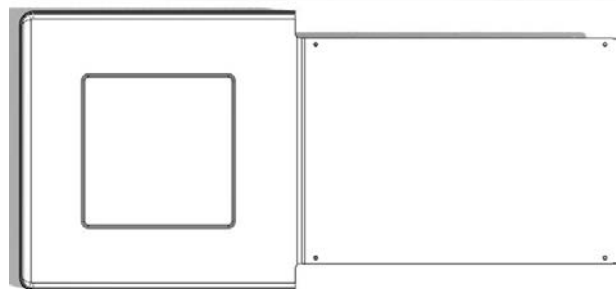
Wall Frame



Bench frame with mattress and safety side



Wall Frame Cover



Handset



Transformer and plug



Fixing screw pack

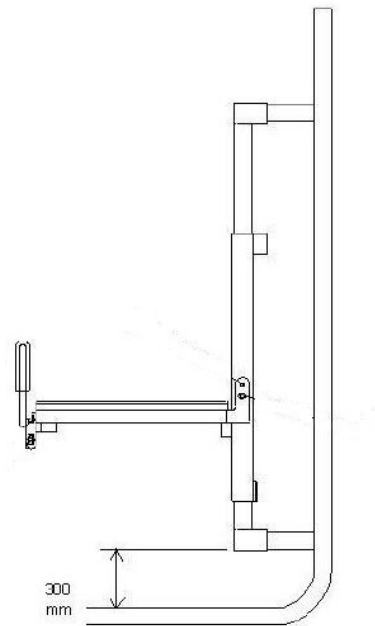




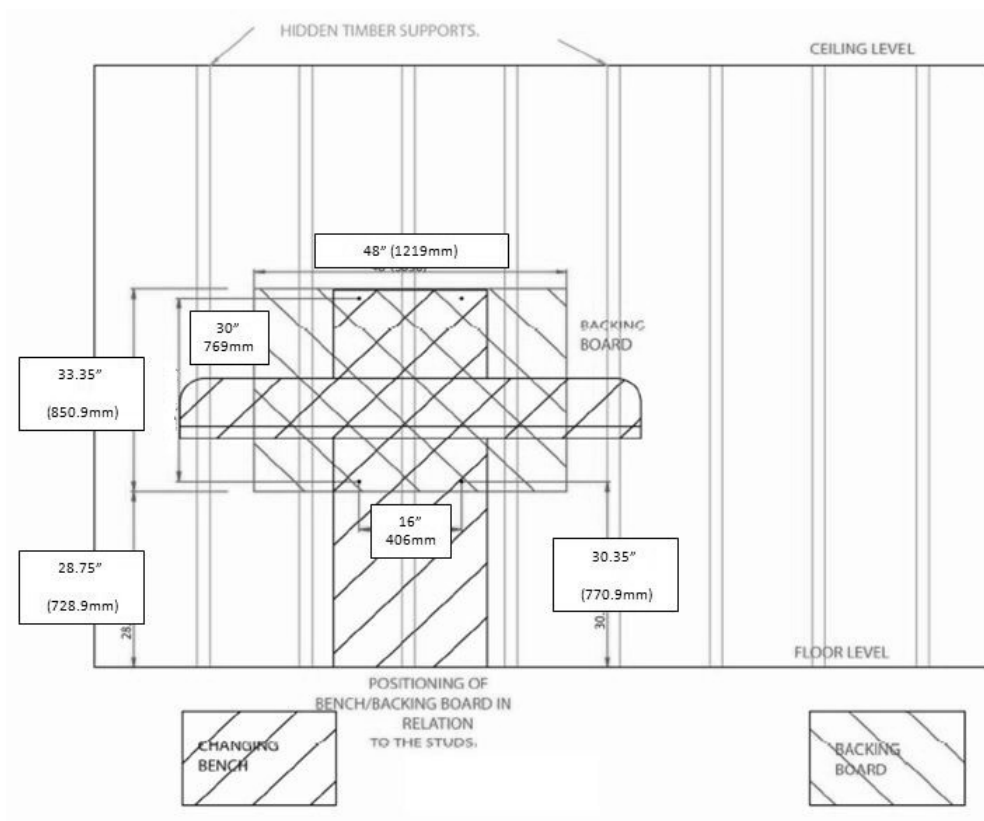
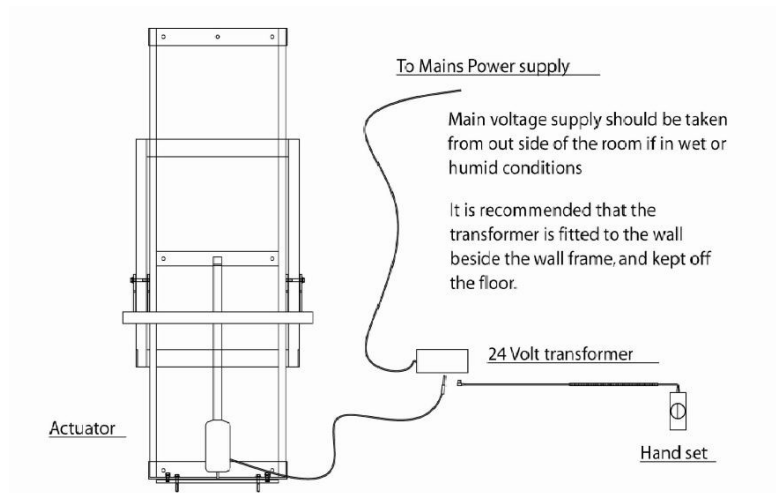
STOP!

It is strongly recommended that two people carry out the installation due to the weight of the product

- Store the wall frame cover and backing board (if ordered) safely until required
- Position the wall frame on the wall at the recommended height (11.8in) as shown opposite.
- Mark and drill the holes for the fixings
- Where a backing board is to be used, it should be drilled to take fixing screws (minimum 8) – check the screws do not interfere with the wall frame when mounted.
- Fit the fixing bolts and loosely fit the frame to the wall or backing board, being careful not to trap the electrical cable
- Before tightening fixings, check frame is vertical in all directions, and if necessary fit packing to achieve
- Before offering up the bench frame to the wall frame, first remove the ball end screw that has been loosely fitted to the left-hand hinge
- The bench frame can now be fixed to the wall frame; the two hinge bolts that are loosely fitted to the wall frame should be removed, and a small amount of Loctite applied to the first 0.1in.
- Offer up the bench and insert the two bolts previously prepared but do not over-tighten. The bolts must not protrude more than approx 0.03in.
- With the bench frame now in place in the horizontal position, reconnect the ball end screw previously removed and tighten with the appropriate spanner.
- The bench should now be raised into the vertical position and locked in position.
- Locate the lower end of the gas spring (which is fitted to the back of the wall frame) and fit to the ball end on the hinge of the bench frame. This can be snapped into place by pressing the cup firmly onto the ball end. To enable this to be done, it might be necessary to disengage the locking plunger and push the bench frame slightly – remember to re-engage the locking plunger when finished
- The two side trims may now be fitted using the plastic push fit retainers supplied.
- Check that the gas spring functions correctly and assists in the raising of the bench – make sure it is checked with the safety rail fitted.
- Connect the electrical supply and test the bench by raising and lowering to each of the limits of travel to ensure there are no obstructions.



- Confirm the plunger pin works effectively – you will hear a distinct click when it engages
- The 24V transformer can now be fixed to the wall in a suitable position, or on a bracket/shelf.
- Raise and lower the bench with a load to ensure it is working satisfactorily – do not repeat in rapid succession as this will put stress on the motor system and can cause damage through overheating.
- The main front cover can now be refitted and fixed into place by sliding it down behind the bench so that the Velcro holds the top firmly. Use the studs supplied to fix into place.
- Place a copy of the user instructions on the wall near to the changing bench, where it can easily be read – ensure anyone that will be using the bench is trained and familiar with correct usage.



6.0 HOW TO USE YOUR EASI LIFT CHANGING TABLE

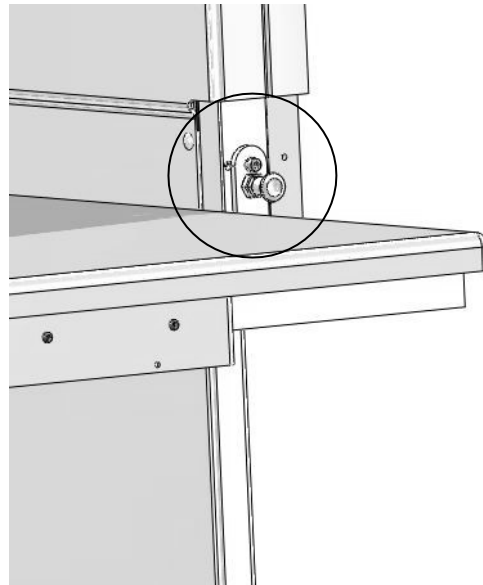


IMPORTANT!

For non-hoist transfers always ensure the safety side is in the fully stowed position (down). When the user has been transferred onto the Easi Lift table, please ensure safety side is in the fully upright position.

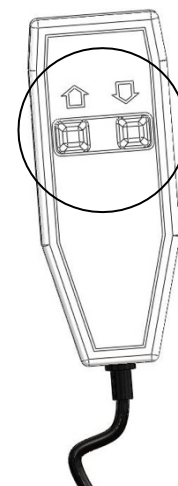
- Ensure that the electrical supply to the changing table is ON

- The bed can be lowered from its stowed position by using one hand to gently press the mattress against the frame, and at the same time using your second hand to release the plunger locking pin which is situated by the right-hand hinge (shown circled opposite).



- When unlocked, use both hands to lower the bed into the horizontal position.

- Before transferring a patient, adjust the height of the bed by using the hand controller 'Up' and 'Down' buttons/arrows, as shown opposite.



- With the patient safely transferred onto the bed, rotate the safety rail into the vertical position and allow it to drop into its retaining slot – check it is in place by gently pulling outwards (towards your body).

- The bench can now be raised to the optimum position, which will depend on the care giver

- To dismount the patient, the process is the reverse of the steps described above




- Once the patient has been dismantled, ensure the bed mattress is wiped as per the cleaning instructions in Section Y.
- The bench can be stowed away by lifting it up with both hands, and when vertical press firmly to slightly compress the mattress – listen for a ‘click’ which indicates that the plunger locking pin has engaged into the locked position. Confirm this by gently pulling the bed toward you.

N.B. If using a hoist system for patient transfer, the patient can be lowered onto the bed when already set at the desired height, with the safety rail set to the vertical position.



7.0 CARE AND MAINTENANCE

	IMPORTANT!
	Cleaning is recommended on a regular basis

- To clean the mattress, use a damp soft cloth with mild soap.
- Rinse with clean cloth and water.
- DO NOT use solvents, abrasives, synthetic detergents and wax polishes.
- ALWAYS wipe dry after use.
- ALWAYS keep this product away from flames, cigarettes and sources of heat including open fireplaces, radiators and heaters.

7.1 MAINTENANCE CHECKS

	IMPORTANT!
	Regular maintenance checks are required

7.1.1 DAILY CHECKS

- Check the mattress for signs of damage or wear and tear.
- Keep the upholstery and metal parts clean.
- Check the safety rail can be stowed and locked into the vertical position.
- Check that the bed rises and lowers when activated by the handset.
- Check that the bed can be securely stored in the vertical position, and that the plunger locking pin engages.

7.2 SERVICE INTERVAL

The Easi Lift changing table should be serviced every 1 year. Servicing must only be undertaken by Smirthwaite USA LLC authorized personnel.




7.3 NOMINAL SERVICE LIFE

Your product has a nominal service life of 7 years, during which full post-sales support will be available with regard to parts and servicing.

Product service life has been determined based upon the design complexity of product, and the anticipated exposure to normal use.

Good practice dictates all Smirthwaite products have been designed and manufactured to high levels of safety and quality, and will meet requirements of normal use when maintained in line with our servicing recommendations.

	<p>STOP!</p> <p>If the product has been out of use for an extended period of time (6 months or more) it should always be serviced prior to being reissued.</p> <p>If the product has been subjected to ‘heavy’ or ‘constant’ use, the service should be reduced to half the recommended period.</p> <p>Constant and/or heavy use is considered to be:</p> <ul style="list-style-type: none">• Daily use above 7 hours duration.• Weekly use above 5 days duration.• Monthly use above 10 months per year.• Use by a client who is at 90% to 100% of the maximum weight limit of the product. The maximum weight limit must NEVER be exceeded.• Use by a client who is extremely active, either voluntarily or involuntarily.
---	---

7.4 EXTENDING NOMINAL SERVICE LIFE

At Smirthwaite we are proud to produce products that have a reputation for quality and durability.

We believe our products have the potential to provide benefits to our clients beyond the nominal service life documented above.

We will continue to provide full support beyond the nominal service life provided the following conditions are met:

1. A full service schedule has been maintained.
2. A full service and inspection is undertaken at the end of the nominal service life period
3. The product is subsequently serviced annually (or biannually if under ‘heavy/constant’ use conditions)
4. Smirthwaite reserve the right to limit support where parts/components are no longer available



7.5 DOCUMENTATION/RECORDS

- It is the responsibility of the current equipment owner to ensure the 'Instructions for Use' manual and any further manuals for accessories fitted to the equipment are handed over to the new owner at the time of exchange/sale
- It is the responsibility of the current equipment owner to ensure the service and inspection record form is kept up to date

7.6 PRODUCT CONFIGURATION

- Smirthwaite will document and maintain a record of the original product configuration at the time of first sale
- Smirthwaite will not be held responsible for any subsequent changes to this configuration unless authorized to do so in writing by Smirthwaite USA LLC.
- It is the equipment owner's responsibility to maintain their own records of changes to the equipment configuration and to be able to provide such records to subsequent owners to maintain traceability
- We recommend an inspection/service by Smirthwaite USA LLC authorized personnel whenever a significant change is made to product configuration to ensure the product is safe to use. **If in any doubt, ALWAYS seek ADVICE**



IMPORTANT REMINDER!

DO NOT fit parts or accessories of other manufacturers to this product unless authorized to do so in writing by Smirthwaite USA LLC.

Any servicing or repairs required must be carried out by Smirthwaite USA LLC authorized personnel

If you believe this product to be faulty – DO NOT USE – Contact Smirthwaite USA LLC on (1) 212 541 2455

If in any doubt, ALWAYS seek ADVICE.



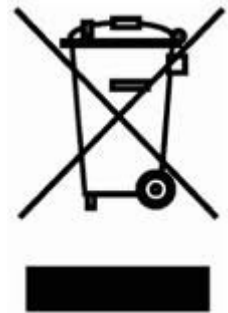
7.7 EUROPEAN DIRECTIVE 2002/96/EC - WASTE ELECTRICAL AND ELECTRONIC EQUIPMENT (WEEE)

The Waste Electrical and Electronic Equipment Directive (WEEE Directive) came into force in January 2007. The Directive aims to both reduce the amount of electrical and electronic equipment being produced and to encourage everyone to reuse, recycle and recover it.

As the responsible manufacturer, Smirthwaite operate a 'take back' scheme wherein we accept electrical and electronic components returned to our factory at the end of their product service life.

Please note, we are obligated only to accept the return of electronic/electrical components for responsible recycling, not complete products or assemblies.

Please contact Smirthwaite USA LLC on T: (1) 212 541 2455 should you require any further information.



8.0 WARRANTY & SERVICE

Smirthwaite warrants the products detailed on your order to be free from defects in materials and workmanship for a period of 2 years from date of delivery. If a fault develops during this period, please contact the Customer Service team by email info@smirthwaite.com or phone (1) 212 541 2455 who will advise you on the best course of action.

The warranty excludes faults due to accident, neglect, misuse, not following the Instructions and normal wear and tear. This guarantee is in addition to your legal rights. A charge may be made where the goods cannot be repaired under the warranty. You will be advised before this is made.

NO ADAPTATIONS OR ALTERATIONS SHOULD BE MADE TO THE EASI LIFT CHANGING TABLE WITHOUT WRITTEN AUTHORIZATION BY SMIRTHWAITE; ANY SUCH MODIFICATION WILL AFFECT THE GUARANTEE.



9.0 CONTINUOUS IMPROVEMENT

Smirthwaite USA LLC is committed to continuous improvement to their product range. Should you have any suggestions or comments please send them to our product design department at: info@smirthwaite.com

Smirthwaite USA LLC reserve the right to change the specification or material without prior notice.

For catalogs, help and further information on our products please contact us at:

Smirthwaite USA LLC
405 Lexington Avenue
26th Floor
New York
NY10174

(1) 212 541 2455
E: info@smirthwaite.com
W: www.smirthwaite.com



10.0 SERVICE INSPECTION

10.1 Product Information

Model:	
Size:	
Date of Manufacture:	
Serial Number:	
Final Inspection	

10.2 Service & inspection record form:

Date	Procedure	Service Personnel



Notes:



