

TECHNICAL MANUAL



EASyS Modular S Pediatric Wheelchair

- Models (seating system and chassis)
- Accessories for EASyS Modular S
- Accessories for A chassis Advantage and Q chassis

EASyS Modular S ...

... is a pediatric wheelchair with short back and multidimensional adjustable headrest for children.

Content	page
MODELS	EASyS Modular S seating system – size 1 and 2 3
	A chassis Advantage – size 1 and 2 4
	Q chassis. 4
MODELS standard features optional	Upholstery set 5
	Headrest, shell 6
	Headrest, neck support 6
	Headrest, adjustable 6
	Headrest fitting 6
ACCESSORIES for EASyS Modular S seating system	Foot straps 7
	Calf strap 7
	Footrest-tube upholstery 7
	Abduction block 7
	Grip rail 8
	Grip rail, strong curved 8
	Lateral trunk support with chest belt 8
	Lateral trunk support 8
	Tray 9
	Frame padding 9
	2-point pelvic belt with front pull 10
	4-point pelvic belt with front pull 10
	Crotch strap 10
	Soft pelvic harness 10
	Butterfly/chest harness 11
	Butterflychest harness, flexible 11
	Seat waistcoat 11
	H-belt, padded 11
	Sun and rain cover with leg blanket 12
	Sun and rain cover 12
	Rain shield for sun and rain cover 12
	Transparent cover with leg blanket 13
	Sleeping bag (padded + woven fur) 13
	Umbrella 13
ACCESSORIES for A chassis Advantage	Vent tray 14
	Pneumatic wheels 14
	Tip assist 14
	Transit tie down system 14
ACCESSORIES for Q chassis	Adapter 15
	Push bar 15



Modular S seating system	size 1	size 2
Item code	6208/1	6408/1
Seat depth	19 - 30 cm 7.5 - 11.8"	27 - 38 cm 10.6 - 15"
Seat width	19 - 26 cm 7.5 - 10.2"	27 - 35 cm 10.8 - 13.8"
Back height	28 - 42 cm 11 - 16.5"	34 - 53 cm 13.4 - 20.9"
Lower leg length	18.5 - 30.5 cm 7.3 - 12"	18.5 - 37 cm 7.3 - 14.6"
Hip angle	90° - 140°	90° - 140°
Knee angle	90° - 180°	90° - 180°
Foot angle	78° - 100°	78° - 100°
Turning range of seat	180°	180°
Seat tilt-in-space in driving direction (on A chassis Advantage)	-10° to +35°	-10° to +35°
Seat tilt-in-space face-to-face (on A chassis Advantage)	0° to +35°	0° to +35°
Size of hip guide (w x h)	23 x 12 cm 9.1 x 4.7"	29 x 11 cm 11.4 x 4.3"
Size of footrest (w x d)	28 x 18 cm 11 x 7.1"	32 x 21 cm 12.6 x 8.3"
Weight (seat)	8.8 kg / 19.8 lb	11 kg / 24.3 lb
Max. user weight (seat)	35 kg / 77.2 lb	40 kg / 88.2 lb
Material	upholstery: PES fabrics, 3-mesh- air-comfort-interlaced yarns (AGW) seat: aluminium tubular frame, plastic assembly units	

Standard features

physiological pivots for the hip and knee joints; headrest options (selectable); breathable seat and back upholstery as well as side padding (selectable); additional foam pads for more sitting comfort; fire retardant fabrics; lateral body guides; tiltable footrest, height and angle adjustable; brackets for sun and rain cover; continuously adjustable back height, hip angle, seat depth and seat width; easily accessible adjustments without any tools needed

CHASSIS



A chassis Advantage	size 1	size 2
Item code (swivel front wheels)	6201/3	6401/3
Item code (fixed front wheels)	6200/3	6400/3
Seat tilt-in-space in driving direction	-10° to +35°	-10° to +35°
Seat tilt-in-space face-to-face	0° to +35°	0° to +35°
Turning range of seat	180°	180° / 18.1"
Seat height with seat unit	47 cm / 18.5"	46 cm / 18.1"
Push bar height	71,5 - 117 cm / 28.1 - 46.1"	71,5 - 117 cm / 28.1 - 46.1"
Turning circle	83 cm / 32.7"	99 cm / 32.7"
Overall dimensions (l x w x h) only A chassis Advantage	99.5 x 59,5 x 96 cm 39.2 x 23.4 x 37.8"	107 x 69 x 108 cm 42.1 x 27.2 x 42.5"
Folded dimensions (l x w x h) only A chassis Advantage	81 x 59,5 x 38 cm 31.9 x 23.4 x 15"	81 x 69 x 38 cm 31.9 x 27.2 x 15"
Overall dimensions (l x w x h) with seat unit EASyS Modular S	99.5 x 59,5 x 114 cm 39.2 x 23.4 x 44.9"	107 x 69 x 120 cm 42.1 x 27.2 x 47.2"
Folded dimensions (l x w x h) with seat unit EASyS Modular S	85 x 59,5 x 60 cm 33.5 x 23.4 x 23.6"	81 x 69 x 69 cm 31.9 x 27.2 x 27.2"
Wheel size swivel wheels (front)	18 cm / 7.1"	18 cm / 7.1"
Wheel size (rear)	25 cm / 9.8"	25 cm / 9.8"
Weight (without seat unit)	9.8 kg / 21.6 lb	10.9 kg / 24 lb
Max. load capacity basket	5 kg / 11 lb	5 kg / 11 lb
Max. load capacity (incl. seat unit)	50 kg / 110.2 lb	55 kg / 121.3 lb
Material	aluminium tubular frame, powder-coated, rim: PP (polypropylene); tires: composition rubber	

Standard features

Chassis: lightweight and stable aluminum chassis, foldable; adjustment of seat angle inclination as well as seat assembling and disassembling by central lever; included spring in rear frame; height adjustable push bar with biocompatible soft grip; foot brake; no-flat EVA-wheels; fixed front wheels or swivel front wheels incl. swivel lock; removable basket

Seat unit: see page 3

Q chassis	size 1	size 2
Item code chassis	6666/6	6666/6
Seat tilt-in-space	-7° to +31°	-7° to +31°
Seat height with seat unit	29 - 69 cm / 11.4 - 27.2"	29 - 69 cm / 11.4 - 27.2"
Adapter height	21 - 60 cm / 8.3 - 23.6"	21 - 60 cm / 8.3 - 23.6"
Size of swivel wheels (front)	100 mm / 3.9"	100 mm / 3.9"
Size of swivel wheels (rear with brake)	100 mm / 3.9"	100 mm / 3.9"
Total dimensions (only Q chassis) (l x w x h)	76 x 54 x 25 - 62 cm / 29.9 x 21.3 x 9.8 - 24.4"	76 x 54 x 25 - 62 cm / 29.9 x 21.3 x 9.8 - 24.4"
Weight (without seat unit)	13.5 kg / 29.8 lb	13.5 kg / 29.8 lb
Max. load capacity	50 kg / 110.2 lb	50 kg / 110.2 lb
Material	aluminium tubular frame, powder-coated, PU castors	

Standard features

Chassis: comfortable indoor chassis, easy height and seat tilting by gas pressure spring (foot pressure release), 4 swivel castors, 2 of them lockable (rear)

Seat unit: see page 3

UPHOLSTERY optional basic configuration



Upholstery set	size 1	size 2
Item code	6242	6442
Color	red	red



Upholstery set	size 1	size 2
Item code	6243	6443
Color	blue	blue



Upholstery set	size 1	size 2
Item code	6244	6444
Color	green	green



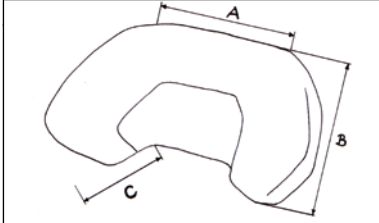
Upholstery set	size 1	size 2
Item code	6241	6441
Color	magenta	magenta



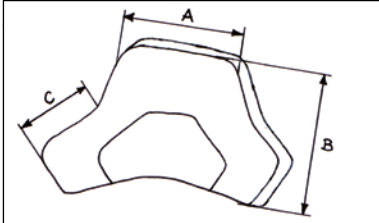
Upholstery set	size 1	size 2
Item code	6240	6440
Color	gray	gray

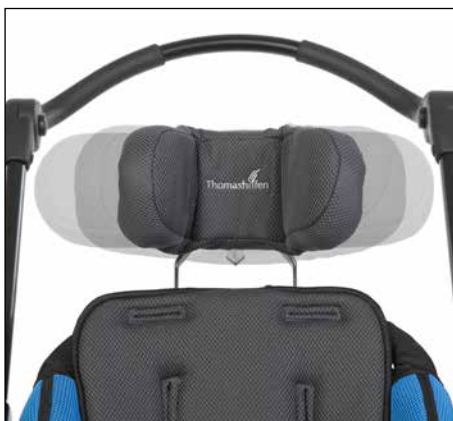
HEADREST optional basic configuration



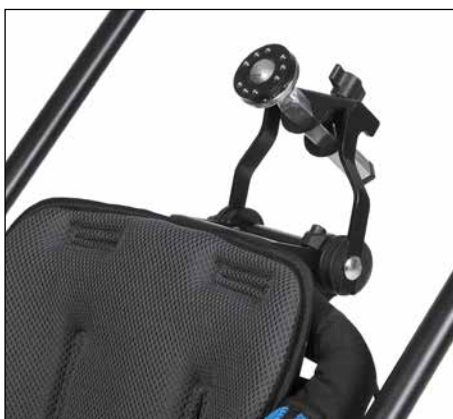
Headrest, shell	size 1	size 2
Item code	6261/1	6261/1
Height headrest (from upper edge of seat unit)	14 - 22 cm 5.5 - 8.7"	14 - 22 cm 5.5 - 8.7"
Depth adjustment (forward / backward)	+ 14 cm / - 4 cm + 5.5" / - 1.6"	+ 14 cm / - 4 cm + 5.5" / - 1.6"
		
A	16 cm / 6.3"	
B	15,5 cm / 6.1"	
C	13,5 cm / 5.3"	



Headrest, neck support	size 1	size 2
Item code	6262/1	6262/1
Height headrest (from upper edge of seat unit)	14 - 31 cm 5.5 - 12.2"	14 - 31 cm 5.5 - 12.2"
Depth adjustment (forward / backward)	+ 14 cm / - 6 cm + 5.5" / - 2.4"	+ 14 cm / - 6 cm + 5.5" / - 2.4"
		
A	12 cm / 4.7"	
B	14 cm / 5.5"	
C	9 cm / 3.5"	



Headrest, adjustable	size 1	size 2
Item code	6267	6267
Height	11 cm / 4.3"	11 cm / 4.3"
Width (ausgeklappt, gesamt)	37 cm / 14.6"	37 cm / 14.6"
Width (Mittelteil)	13 cm / 5.1"	13 cm / 5.1"
Width (je Seitenteil)	12 cm / 4.7"	12 cm / 4.7"
Note	not approved for use as a seat in motor vehicles	



Headrest fitting	size 1	size 2
Item code	6868	6868
Note	square bar with ball joint (for custom-made solutions)	



Foot straps	size 1	size 2
Item code	6648/2	6648/2
Belt length	87 cm / 34.3"	87 cm / 34.3"
Color	black	black



Calf strap	size 1	size 2
Item code	6635/5	standard feature
Size (w x h)	29 x 10 x 1 cm 11.4 x 3.9 x 0.4"	–
Color	black	black



Footrest-tube upholstery	size 1	size 2
Item code	6230	6230
Size (w x h)	7 x 15 cm / 2.8 x 5.9"	7 x 15 cm / 2.8 x 5.9"
Color	gray	gray



Abduction block	size 1	size 2
Item code	6620/6	6720/6
Size (w x h x l)	6 x 9 x 10 cm 2.4 x 3.5 x 3.9"	7 x 10,5 x 11 cm 2.8 x 4.1 x 4.3"
Color	gray	gray

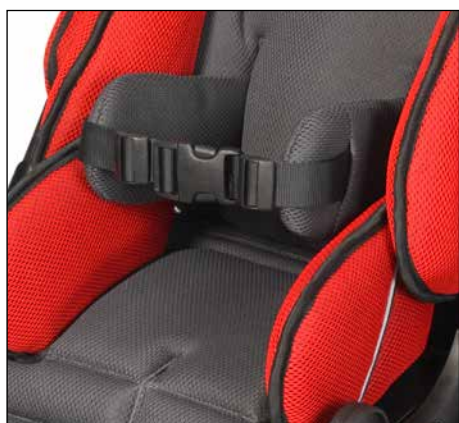
ACCESSORIES



Grip rail	size 1	size 2
Item code	6621/5	6721/5
Height to seat surface	9 / 11,5 / 14 / 16,5 cm 3.5 / 4.5 / 5.5 / 6.5"	14 / 17 / 19 / 22 cm 5.5 / 6.7 / 7.5 / 8.7"
Width (inside dimension)	34 cm / 13.4"	38 cm / 13.4"
Color	gray	gray



Grip rail, strong curved	size 1
Item code	6621/51
Height to seat surface	10.5 / 13 / 15,5 / 18.5 cm 4.1 / 5.1 / 6.1 / 7.3"
Width (inside dimension)	34 cm / 13.4"
Color	gray



Lateral trunk support, with chest belt	size 1	size 2
Item code	6633/2	6633/2
Supporting surface (h x d)	10 x 20 cm / 3.9 x 7.9"	10 x 20 cm / 3.9 x 7.9"
Color	gray	gray



Lateral trunk support	size 1	size 2
Item code	6634/6	6734/6
Size (h x d)	15 x 13 cm / 5.9 x 5.1"	17 x 15 cm / 6.7 x 5.9"
Color	gray	gray



Tray	size 1	size 2
Item code	6628/1	6728/1
Size (w x d)	56 x 33.2 cm 5.9 x 8.7"	60 x 36.2 cm 23.6 x 14.3"
Height to seat surface	15 - 22 cm / 5.9 - 8.7"	15 - 22 cm / 5.9 - 8.7"
Edge height (inside)	2.5 cm / 1"	2.5 cm / 1"
Angle adjustment	approx. 27°	approx. 27°
Depth adjustment range	16 cm / 6.3"	19 cm / 7.5"
Cut-out (w x d)	41 x 14 cm 16.1 x 5.5"	45,5 x 17,5 cm 17.9 x 6.9"
Material thickness	8 mm / 0.3"	8 mm / 0.3"
Color tray plate	transparent / colorless	transparent / colorless



Frame padding	size 1	size 2
Item code	6622/6	6622/6
Outer dimensions (w x h)	(10 - 15) x 45 cm (3.9 - 5.9) x 17.7"	(10 - 15) x 45 cm (3.9 - 5.9) x 17.7"
Color	black	black

ACCESSORIES



2-point pelvic belt with front pull	size 1	size 2
Item code	8420/1	8470/1
Size of pad (B x H)	15 x 5 cm / 5.9 x 2"	17 x 5 cm / 6.7 x 2"
Belt length	130 cm / 51.2"	130 cm / 51.2"
Color	black	black



4-point pelvic belt with front pull	size 1	size 2
Item code	8421/1	8471/1
Size of pad (B x H)	15 x 8 cm / 5.9 x 3.1"	17 x 8 cm / 6.7 x 3.1"
Rear belt length	120 cm / 47.2"	120 cm / 47.2"
Front belt length	50 cm / 19.7"	50 cm / 19.7"
Color	black	black



Crotch strap	size 1	size 2
Item code	6341/1	6341/1
Belt length	approx. 18 - 33 cm approx. 7.1 - 13"	approx. 18 - 33 cm approx. 7.1 - 13"
Color	black	black
Note	can only be used in combination with pelvic harnesses	



Soft pelvic harness	size 1	size 2
Item code	6614/6	6714/6
Rear upholstery width	21 cm / 8.3"	26,5 cm / 8.3"
Belt length	45 cm / 17.7"	45 cm / 17.7"
Color	black	black



Butterfly/chest harness	size S	size M	size L
Item code	6616/6	6617/6	6717/6
A	18.5 cm / 7.3"	25 cm / 9.8"	25.5 cm / 10"
B	30 cm / 11.8"	33.5 cm / 13.2"	45 cm / 17.7"
C	16 cm / 6.3"	18.5 cm / 7.3"	23 cm / 9.1"
D	14 cm / 5.5"	17 cm / 6.7"	22 cm / 8.7"
E	11.5 cm / 4.5"	10.5 cm / 4.1"	11.5 cm / 4.5"
F	18 cm / 7.1"	21.5 cm / 8.5"	25 cm / 9.8"



Butterfly/chest harness, flexible	size S	size M
Item code	6385/3	6585/3
A	12 cm / 4.7"	18 cm / 7.1"
B	21 cm / 8.3"	33 cm / 13"
C	11.5 cm / 4.5"	15 cm / 5.9"
D	9.5 cm / 3.7"	18 cm / 7.1"
E	6 cm / 2.4"	10 cm / 3.9"
F	21 cm / 8.3"	27 cm / 10.6"



Seat waistcoat	size S	size M	size L
Item code	6631/6	6632/6	6731/6
Upholstered surface (w x l)	33 x 30 cm 13 x 11.8"	38 x 35 cm 15 x 13.8"	44 x 41 cm 17.3 x 16.1"
Belt length, top	65 cm / 25.6"	65 cm / 25.6"	65 cm / 25.6"
Color	black	black	black



H-belt, padded	size 1	size 2
Item code	6629/7	6629/7
Size Shoulder pads (w x l)	5 x 15 cm / 2 x 5.9"	5 x 15 cm / 2 x 5.9"
Shoulder belt length	60 cm / 23.6"	60 cm / 23.6"
Pelvis belt length	40 cm / 15.7"	40 cm / 15.7"
Color	black	black

ACCESSORIES



Sun and rain cover with leg blanket	size 1	size 2
Item code	6637/6	6637/6
Hood (w x h, inner dimension)	43 x 51 cm 16.9 x 20.1"	43 x 51 cm 16.9 x 20.1"
Hood pocket (w x h x d)	24 x 28 x 5 cm 9.4 x 11 x 2"	24 x 28 x 5 cm 9.4 x 11 x 2"
Leg blanket (w x l)	43 x 100 cm 16.9 x 39.4"	43 x 100 cm 16.9 x 39.4"
Color	black / light gray	black / light gray
Note	suitable up to max. 71 cm / 28" vertex height	



Sun and rain cover	size 1	size 2
Item code	6637/61	6637/61
Hood (w x h, inner dimension)	43 x 51 cm 16.9 x 20.1"	43 x 51 cm 16.9 x 20.1"
Hood pocket (w x h x d)	24 x 28 x 5 cm 9.4 x 11 x 2"	24 x 28 x 5 cm 9.4 x 11 x 2"
Color	black / light gray	black / light gray
Note	suitable up to max. 71 cm / 28" vertex height	



Rain shield	size 1	size 2
Item code	6739	6739
Hood (w x h, inner dimension)	43 x 51 cm 16.9 x 20.1"	43 x 51 cm 16.9 x 20.1"
Opening (w x h)	33 x 34 cm 13 x 13.4"	33 x 34 cm 13 x 13.4"
Leg blanket (w x l)	60 x 120 cm 23.6 x 47.2"	60 x 120 cm 23.6 x 47.2"
Color	transparent	transparent
Note	can only be used together with sun and rain cover	



Transparent cover with leg blanket	size 1	size 2
Item code	6638/1	6638/1
Hood (w x h, inner dimension)	43 x 51 cm 16.9 x 20.1"	43 x 51 cm 16.9 x 20.1"
Leg blanket (w x l)	43 x 100 cm 16.9 x 39.4"	43 x 100 cm 16.9 x 39.4"
Color	transparent	transparent
Note	suitable up to max. 71 cm / 28" vertex height	



Umbrella	size 1	size 2
Item code	6594	6594
Diameter Ø	65 cm / 25.6"	65 cm / 25.6"
Height	75 cm / 28.3"	75 cm / 28.3"
Color	gray	gray



Sleeping bag, padded	size 1	size 2
Item code	6619/5	6719/5
Bottom part of leg blanket (w x l)	35 x (68 - 80) cm 13.8 x (26.8 - 31.5)"	40 x (90 - 104) cm 15.7 x (35.4 - 40.9)"
Leg blanket (lower leg length)	31 cm / 12.2"	43 cm / 16.9"
Color	black / light gray	black / light gray

Sleeping bag, woven fur	size 1	size 2
Item code	6618/5	6718/5
Bottom part of leg blanket (w x l)	35 x (68 - 80) cm 13.8 x (26.8 - 31.5)"	40 x (90 - 104) cm 15.7 x (35.4 - 40.9)"
Leg blanket (lower leg length)	31 cm / 12.2"	43 cm / 16.9"
Color	black / light gray	black / light gray

ACCESSORIES – A chassis Advantage



Vent tray	size 1	size 2
Item code	6294/1	6494/1
Size (w x h x l)	38 x 3 x 39 cm 15 x 1.2 x 15.4"	43 x 3 x 39 cm 16.9 x 1.2 x 15.4"



Pneumatic wheels	
Item code	6647/1
Wheel size swivel wheels (front)	7,5"
Wheel size (rear)	10"



Tip assist	
Item code	6750/2
Tread surface (w x l)	4 x 8 cm / 1.6 x 3.1"
Color	anthracite

Transit tie down system	
Item code	E67839/1
Note	For further information please contact us. +49 4761 886-63 or -68

ACCESSORIES – Q chassis



Adapter	size 1	size 2
Item code	6295/1	6295/1
Note	always required when using Advantage seat unit	



Push bar	size 1	size 2
Item code	6660	6660
Height	52 - 100 cm (angle approx. 90°)	52 - 100 cm (angle approx. 90°)
Adjustment angle	0 - 110°	0 - 110°
Color	black	black



Member of the International
Support Association for the
Rehabilitation of Children and Youths e.V.

