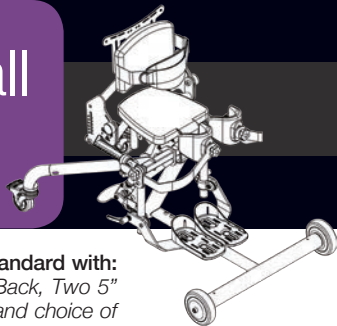


# Bantam Extra Small

## Options



28"-40"  
(71-102cm)



50 lbs  
(23 kg)

The EasyStand Bantam Extra Small base unit comes standard with: Foot Plates, Knee Pads, Gas Spring Lift, Planar Seat and Back, Two 5" Front Wheels, Two 3" Rear Locking Casters, Chest Strap, and choice of frame color: Green, Orange, Purple, or White.



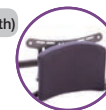
### Foot Holder Sizes

6"Lx3"W  
7.75"Lx3.25"W (base model)  
9.75"Lx4"W



### Knee Pad Sizes (inside width)

2.5"  
3.25" (base model)  
4.25"



### Planar Back Sizes (height from seat)

11"-13"H Range (base model)  
15"-17"H Range



#### PT50234 Supine

Allows the Bantam to be used as a supine or sit-to-stand stander. User can be transferred in flat-to-load, seated, or hip-knee flexion position. Adjusts from 0-90° supine. Head support required. Supine option CANNOT be ordered off-unit.



#### PNG50499 Easy-Adjust Seat Depth

Roller bearing seat depth that allows for smoother seat depth adjustment. Easy-Adjust option CANNOT be ordered off-unit.



#### PT50236 Dual Control

Allows both foot and hand control of the gas spring lift. Must order Push Handle PT50280.



#### PA5614 Gas Spring Lift Lockout

Locks gas spring in any position from lying down to fully upright and prone positions.



#### PT50022 Pow'r Up Lift

Brings the user to the standing position with the touch of a button. Includes light touch controller, rechargeable battery and charger, Linak® actuator and an emergency release.



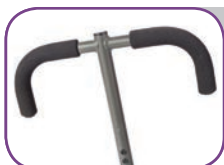
#### PT50020 Hydraulic Actuator with Removable Handle

Allows the user to independently transition to standing with a manual hydraulic actuator. Handle is adjustable and removable. Replaces gas spring lift.



#### PNG50044 Quad Grip Handle Extension

Attaches to the actuator handle for users with limited dexterity. Adjusts for various hand sizes. Not available with Pow'r Up Lift. Hydraulic actuator required.



#### PNG50070 T-Style Handle Extension

Attaches to the actuator handle for users with limited range of motion. Makes the first few pumps easier and descending more accessible. Adds additional 7" (18cm) in each direction. Not available with Pow'r Up Lift. Hydraulic actuator required.



#### PT50116 Front Swivel Casters

Locking casters allow for easier steering and movement of stander. Replaces front wheels. Extends footprint of the unit to 30"x38" (76x97cm). Not available with Mobile option.



#### PT50150 Mobile PT50177 Tall Mobile

Allows self-propulsion while sitting or standing. Push rims adjust forward and aft. Mobile footprint 24"x38" (61x97cm). Push rim height 31" (79cm)/35" (89cm) from floor. Not available with Supine, Trays or Front Swivel Casters.



#### PT50246 Mobile Tray

Provides anterior support while using the mobile option. Tray is 4"x12" (10x30cm). and has height and depth adjustment.



#### PT50204 Black Molded Shadow Tray-11"x19"

Tray is accessible in all positions and provides anterior support as user moves from supine to upright and prone positions. Adjustable in depth and height. Tray size is 11"x19" (28x48cm). Not available with Mobile option.



#### PA5600 Black Molded Swing-Away Tray-11"x19"

Swing-Away tray is accessible in all positions and provides anterior support as user moves from supine to upright and prone positions. Adjustable in depth, height and tray angle. Tray size is 11"x19" (28x48cm). Not available with Mobile option.



#### PA5602 Clear Swing-Away Tray-11"x19"

Swing-Away tray is accessible in all positions and provides anterior support as user moves from supine to upright and prone positions. Adjustable in depth, height and tray angle. Tray size is 11"x19" (28x48cm). Not available with Mobile option.



#### PT50074 Black Molded Shadow Tray-21"x24"

Shadow tray is accessible in all positions and provides anterior support as user moves from sitting to standing. Adjustable in depth, height, and tray angle. Tray size is 21"x24" (53x61cm). Not available with Mobile option.



#### PT50076 Clear Shadow Tray-21"x24"

Shadow tray is accessible in all positions and provides anterior support as user moves from sitting to standing. Adjustable in depth, height, and tray angle. Tray size is 21"x24" (53x61cm). Not available with Mobile option.



#### PNG50042 Hand Grips

Provides additional arm and hand support and alignment. Easily movable for precise arm positioning. Attaches with suction cups. A clear tray is required. Not available with Mobile option.



#### PT50156 Elbow Pad-9.25" Cutout PT50160 Elbow Pad-11" Cutout

Additional padded support surface on the black molded or clear tray. Only available with 21"x24" tray. Overall width 21.5" (55cm), pad extends back 3.75" (10cm) posterior from current table edge for additional upper body/extremity support. Not available with Mobile option.



#### PA5604 Forearm Wings-Black Molded Tray PA5606 Forearm Wings-Clear Tray

Wings give additional area to rest arms when in standing position. Only available with 11"x19" (28x48cm) tray. Not available with Mobile option.



#### PA3038 Hygienic Padded Cover-11"x19" Tray PT30093 Hygienic Padded Cover-21"x24" Tray

Washable, padded slip on cover for trays. Available in six different patterns. Not available with Mobile option.



#### PT50252 Multi-Adjustable Foot Plates

Foot plates are adjustable forward/aft +/- .75" (2cm), plantar/dorsi +/- 20°, toe-in/toe-out, swivel 30° left/right, in addition to height.



**PT50080 Foot Straps-10\"/>  
PY5636 Foot Straps-15\"**

Velcro® and D-ring adjustment holds feet in alignment with multiple attachment slots for proper foot positioning. Straps measured in length over top of foot, with approximately 1.5" (4cm) of Velcro® overlap.



**PT50082 Secure Foot Straps-10\"/>  
PY5638 Secure Foot Straps-15\"**

Velcro® and D-ring adjustment holds feet in alignment with multiple attachment slots for proper foot positioning. Straps measured in length over top of foot, with approximately 1.5" (4cm) of Velcro® overlap.



**PT50264 Swing-Away Knee Pads**

Push of a button swings knee pad away providing more room for transfers. Multi-adjustable knee pads are adjustable in swivel, height +/- .5" (1.3cm), width 5.5"-10" (14-25cm), in addition to depth range of 2.5"-8" (6-20cm).



**PT50044 Form to Fit Seat**

Contoured positioning seat features form-to-fit upholstery with built in hip support. Size is 8.5-9.5"Wx9.5"L (22-24x24cm).



**PT30082 Hygienic Cover  
PT30083 Hygienic Cover**

Washable slip on cover for Standard Seats and Form to Fit Seats. Available in six different patterns.



**PT50098 Hip Supports**

Supports the hips in symmetrical alignment from sitting to standing. Adjustable width from 6"-9" (15-23cm) and 3 settings with a 2" (5cm) height range. Pad size is 3.5"x3.5" (9x9cm). Not available with form to fit seat.



**PT50278 Calf Pad**

Supports the legs when using the supine option. Pad size is 4"x13.5" (10x34cm).



**PT50008 Lateral Supports-Curved Pad  
PT50274 Lateral Supports-Flat Pad**

Provides midline positioning for children with limited trunk control. Width adjustment range is 8"-12" (20-30cm). Pad size is 4"Hx6"W (10x15cm)-Curved Pad 4"Hx6.25"W (10x16cm)-Flat Pad. For Planar Pads only.



**PT50248 Lateral Supports-Curved Pad  
PT50276 Lateral Supports-Flat Pad**

Provides midline positioning for children with limited trunk control. Width adjustment range is 5"-9" (13-23cm). Pad size is 4"Hx6"W (10x15cm)-Curved Pad 4"Hx6.25"W (10x16cm)-Flat Pad. For Planar Pads only.



**PT50216 Lateral Supports with Elbow Stop**

Works as a lateral support and elbow rest. Great for the supine position. Width adjustment range is 8"-12" (20-30cm). Not available with form to fit upper body support. For Planar Pads only.



**PT50218 Lateral Supports with Elbow Stop and Arm Rest**

Works as a lateral support, elbow rest and armrest. Great for the supine, upright and prone position. Width adjustment range is 8"-12" (20-30cm). For Planar Pads only.



**PT50220 Elbow Stop with Arm Rest**

Great for loading and bringing to upright. Works with both planar and form to fit upper body supports. Width adjustment range is 8"-12" (20-30cm). For planar and form to fit pads.



**PT50052 Form to Fit Back 11\"/>  
PT50240 Form to Fit Back 15\"-17\" H Range**

Contoured back provides midline support. Backs have a 11"-13" (28-33cm) and 15"-17" (38-43cm) height range.



**PT30078 Hygienic Cover  
PT30089 Hygienic Cover**

Washable slip on cover for Planar Backs 11"-13" (28-33cm) and 15"-17" (38-43cm). Available in six different patterns.



**PT30079 Hygienic Cover for PT50052  
PT30090 Hygienic Cover for PT50240**

Washable slip on cover for Form to Fit Backs. Available in six different patterns.



**PT30066 Positioning Belt-23\"/>  
PT30094 Positioning Belt-33\"**

2" (5cm) wide positioning belt has a D-ring Velcro® closure, provides hip stability for user. Fits hip circumference up to 23" (58cm) and 33" (89cm).



**PT50086 X-Style Chest Vest-9.5\"/>  
PT50088 X-Style Chest Vest-11\"Lx9.5\"W**

Neoprene® with camlock adjustment provides anterior trunk support for child. Size is 9.5"Lx9"W (24x23cm), 11"Lx9.5"W (28x24cm).



**PT50128 High Mount Chest Vest Bracket**

Moves mounting points for chest vest higher to secure shoulders in position. Chest vest not included.



**PT50062 Head Support-5\"/>  
PT50064 Head Support-6\"Hx10\"W**

Cushion size is 5"Hx8"W (13x20cm), 6"Hx10"W (15x25cm). Depth range is +1" to -2.75" (+2 to -7cm) from backrest. Maximum height from seat is 24" (61cm).



**PT50284 Form to Fit Headrest**

Head support 5"Hx10"W (13x25cm). Depth range is -2.5" (6cm) to 1.5" (4cm) from backrest. Maximum height from top of upper body pad is 8" (25cm).



**PA3035/PA3036 Hygienic Cover  
PA3037 Hygienic Cover**

Washable slip on cover for 5"Hx8"W/ 6"Hx10"W Head Supports and Form to Fit Head Support. Available in six different patterns.



**PT50280 Push Handle**

Makes pushing the stander easier for the caregiver. Back required. Required for Supine and Dual Control.



**P80809 Tool Pouch**

Holds the assembly tools provided with the stander. Attaches to unit with Velcro® straps. Tools not included.



**P80246 Angle Locator**

Helps therapists monitor standing progress. Attaches to the mast. Can be used on leg abduction.