



Etac Clean
shower commode chairs

 etac®

Etac Clean

Etac Clean is secure, safe and simple for both users and carers. With practical functionality and design, every detail of the chair has been developed to give the user a positive and safe bathroom experience.

Easy to fit and manouevre

Etac Clean is extremely easy to operate, thanks to the width of the push handle. The clever design can be seen throughout the entire chair. The upright handle ensures that Clean is a perfect fit, even over wall-mounted toilets, and the chair is open at the back to facilitate access.

Comfortable and practical foot support

The foot support is unique and can be pushed under the seat when not in use. The soft curved surface provides good comfort for the feet, which are also protected by the foot support's side protection.

All other variants of Clean also have these features, but with additional functionality to meet other needs.



Features



Slim but roomy

The smart design gives Etac Clean a large and comfortable seating area even though the chair is neat and slim.



Fits over the toilet

Thanks to the upright operating handle, the chair is a perfect fit, even over wall-mounted toilets.



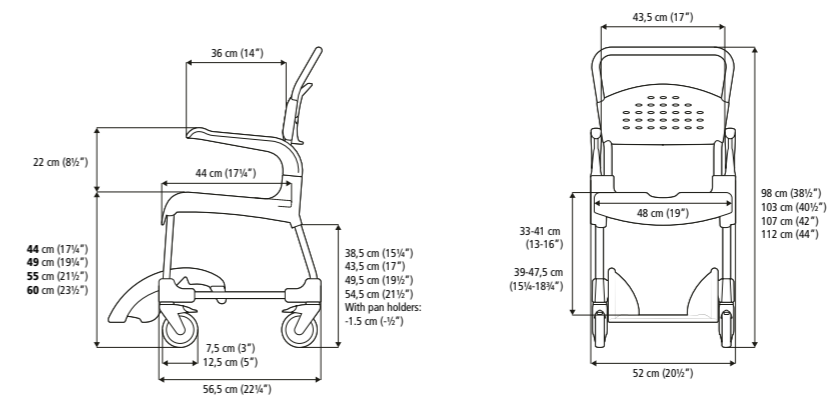
Easy access

The chair is open at the back to facilitate access for hygiene purposes.



Foot support designed for feet

The practical foot support has a soft, rounded shape which gives the feet extra comfort and protection.



Etac Clean shower commode chair

44 cm (17 3/8"), 4 lockable castors	80229269	80229209
49 cm (19 1/4"), 4 lockable castors	80229270	80229210
49 cm (19 1/4"), 2 lockable castors	80229273	80229213
49 cm (19 1/4"), 4 lockable wheels, backrest upholstery, panholder	80229286	-
49 cm (19 1/4"), 2 lockable castors, soft back	80229305	-
55 cm (21 3/8"), 4 lockable wheels, backrest upholstery, panholder	80229287	-
55 cm (21 3/8"), 4 lockable castors	80229271	80229211
55 cm (21 3/8"), 2 lockable castors	80229274	80229214
55 cm (21 3/8"), 2 lockable castors, soft back	80229306	-
60 cm (23 5/8"), 2 lockable castors incl. heightening spacers	80229275	80229215

Etac Clean shower commode chair - double box

49 cm (19 1/4"), 4 lockable castors, double box	80229283	80229220
49 cm (19 1/4"), 2 lockable castors, double box	80229281	80229223
55 cm (21 3/8"), 4 lockable castors, double box	80229284	80229221
55 cm (21 3/8"), 2 lockable castors, double box	80229284	80229224

Weight

44 cm: 13.5 kg
49 cm: 14.0 kg
55 cm: 14.5 kg
60 cm: 15 kg

Maximum user weight

130 kg

Material

Chassis: Powder-painted steel tubing
 Seat/back support: Polypropylene
 Arm supports: Polypropylene
 Foot support: Polypropylene
 Castor brackets: Polyamide
 Castors, lockable, ball-bearing: Polyamide/TPE

Maintenance

Clean the product with a solvent-free cleaning agent (pH level 5-9), or with a 70% disinfectant solution. Can be decontaminated at max 85°C / 185°F if so required.





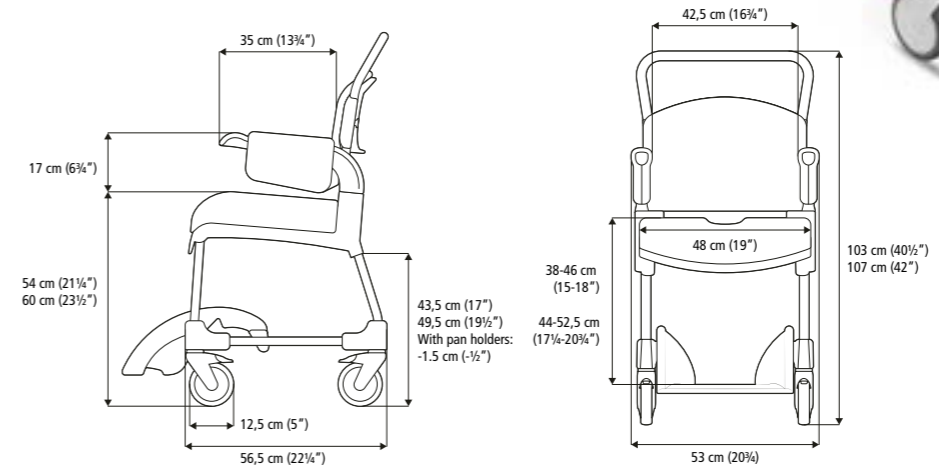
Etac Clean Comfort

All the features of Etac Clean can also be found in this chair, but with even greater comfort. The seat, arm support and back support are padded and guarantee soft and comfortable seating.

Soft and warmth for those who need it

Etac Clean Comfort enhances the feeling of well-being for those who need a little extra comfort and support in the bathroom. The water-repellent and heat-reflective cover of the back support and arm supports helps the user to stay warm. The contoured seat offers comfortable support for the thighs and envelops the user for a safer and more comfortable feeling.

Etac Clean Comfort has the same basic benefits as other members of the Clean family – but now with even greater comfort.



Comfort and support

The soft enveloping seat and back support provide stability, warmth and softness.

Integrity in exposed situations

Clean Comfort is designed to increase the feeling of integrity and dignity. The comfort padding protects and hides the user without reducing accessibility for the carers.

Etac Clean Comfort

49 cm (19 1/4"), incl. Comfort Cover, Comfort Seat Soft, 4 lockable castors, white
55 cm (21 3/4"), incl. Comfort Cover, Comfort Seat Soft, 4 lockable castors, white

80229298
80229299

Opening: depth x width
36.9 x 18.2 cm

Weight
49 cm: 13.5 kg
55 cm: 14 kg

Maximum user weight
130 kg

Material

Comfort Cover: Polyethylene
Comfort Seat Soft: Polyurethane
Chassis: Powder-painted steel tubing
Seat/back support: Polypropylene
Arm supports: Polypropylene
Foot support: Polypropylene
Caster brackets: Polyamide
Castors, lockable, ball-bearing: Polyamide/TPE

Maintenance

Clean the product with a solvent-free cleaning agent (pH level 5–9), or with a 70% disinfectant solution. Can be decontaminated at max 85°C / 185°F if so required.





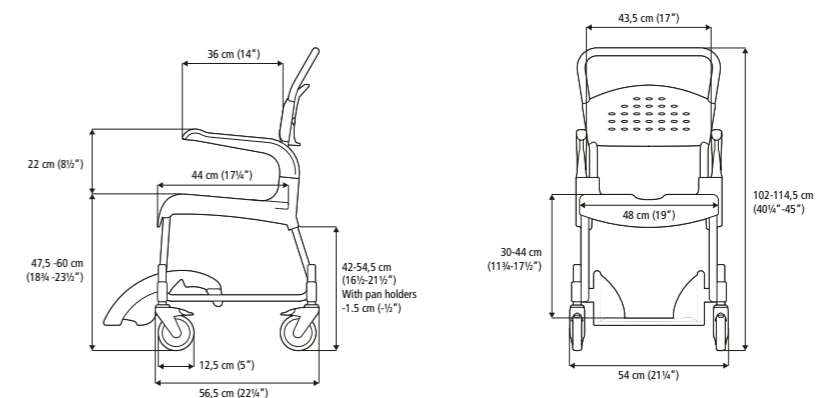
Etac Clean Height Adjustable

In addition to all the features of the basic model, this variant allows you to adjust the height of the seat.

Adjust the height for a perfect fit

The possibility of adjusting the seat height means that Etac Clean Height Adjustable can be tailor-made to suit the user's needs – for example to make transfers easier or to fit perfectly over the toilet. Adjustment is simple and no tools are required.

Etac Clean Height Adjustable has the same basic benefits as the other members of the Clean family – but is also height-adjustable up to 60 cm, and has a greater range of foot supports and calf supports.



The same chair for all heights

The smart design means that the chair is a perfect fit above all wall-mounted toilets, regardless of height.

Additional support for the legs

In the event of additional need for leg and foot support, various accessories are available, e.g. split foot supports and calf supports.

Etac Clean Height Adjustable

4 lockable wheels, white

Weight

14.2 kg

Maximum user weight

130 kg

80229208

Material

Chassis: Powder coated steel tubing

Seat/Back support: Polypropylene

Arm supports: Polypropylene

Foot support: Polypropylene

Castors with ball, bearings: Polyamide/TPE/

Stainless steel tubing

Castor height adjustment tubes: Stainless steel

Maintenance

Clean the product with a solvent-free cleaning agent (pH level 5–9), or with a 70% disinfectant solution. Can be decontaminated at max 85°C / 185°F if so required.





Self propelled

Easy to operate for the independent user.

Safe and simple transfer

The flat seat and the brake position facilitate lateral transfer.

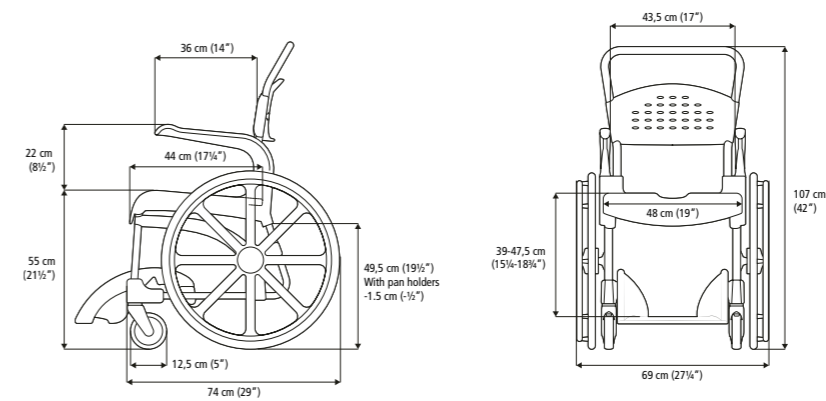
Etac Clean 24"

This variant of Etac Clean is suitable for those who can operate the chair independently and want to maximise their mobility.

Easy to manoeuvre, for the independent user

The Etac Clean 24-inch wheels are positioned to make it easy to manoeuvre the chair without compromising user safety or comfort. It is easy to transfer to and from the chair thanks to the large, unrestricted seat in front of the wheels. The brake handles are also positioned below the seat so that they do not get in the way during transfer, while remaining easy to reach.

Etac Clean 24" has the same basic benefits as the other members of the Clean family – but allows the user to operate the chair independently.



Etac Clean 24"

55 cm (21½) with 24" rear wheels, white
55 cm (21½) with 24" rear wheels, lagoon green

80229276
80229216

Weight
20 kg

Maximum user weight
130 kg

Material

Rear wheel adapter: aluminum
Rear wheels: polyamide, solid tires
Chassis: Powder-painted steel tubing
Seat/back support: Polypropylene
Arm supports: Polypropylene
Foot support: Polypropylene
Castor brackets: Polyamide
Castors, ball-bearing: Polyamide/TPE

Maintenance

Clean the product with a solvent-free cleaning agent (pH level 5–9), or with a 70% disinfectant solution. Can be decontaminated at max 85°C / 185°F if so required.



Accessories



Soft back support
80209225
Adjustable.
Washing at max 60°C (140°F).



Soft pad
Grey: 80209260
Heat-reflecting with a non-slip surface. Recess width: 17 cm (6¾").
Material: polyethylene.
Cleaning max max. 60° C (140 °F) or with alcohol wipe.



Side Support
80209509
Adjustable in width. Material: Polyester fabric, Velcro, polyethylene.
Washing at max. 60°C (140°F).
Can not be used in combination with: 80209225.



Soft back pad
Grey: 80209261
Heat-reflecting with a non-slip surface. Material: polyethylene.
Cleaning max. 60°C (140°F) or with alcohol wipe.



Crossbar
80209246
Attached to the arm supports.
Material: Aluminium, cellular polyethylene, polypropylene.
Can not be used in combination with: 80209228, 80209237 and 80209226.



Seat cover
80209247
When a complete seat is required.
Material: Polyurethane.
Cleaning max. 85° C (185°F) or with alcohol wipe.



Chest harness strap
80209442
Adjustable in length. Attach to soft back support. Material: Polyester.



Comfort Kit
80209237
Includes both Comfort Seat Soft and Comfort Cover. Cleaning max. 60° C (140 °F) or with alcohol wipe.
Can not be used in combination with: 80209225 and 80209246.



Positioning belt
80209440
Adjustable in length. Attachment with velcro straps.
Material: Polyester.



Comfort Cover
80209228
A soft back support with integrated arm support pads. Material: polyethylene. Cleaning max. 60° C (140 °F) or with alcohol wipe.
Can not be used in combination with: 80209225 and 80209246.



Safety strap
80209034
Attachments on the rear side of the back support. Always use together with positioning belt. Material: Polyester. *Can not be used in combination with: 80209225.*



Comfort Arm Pads
80209226
Soft and warm, leaving the handles free to ensure a firm grip when standing up. Material: polyethylene. Cleaning max. 60° C (140 °F) or with alcohol wipe. *Can not be used in combination with: 80209246.*



Cushion, protect
80209245
Air-inflated ROHO cushion with excellent pressure distribution properties. Adjustable air pressure. Recess width: 21 cm (8¼"). Material: Neoprene. Cleaning max: 60° C (140°F).



Comfort Seat Soft
Small opening width 15 cm (6"): 80209301
narrow opening width 18 cm (7"): 80209227
A soft contoured seat. Material: polyurethane. Cleaning max. 85° C (185°F) or with alcohol wipe.

Accessories



Soap dish (does not fit Clean 24")
Grey: 80209266
Attaches to the side of the seat.
Built-in shower handle holder.
Material: Polypropylene.
(Does not fit Clean 24")

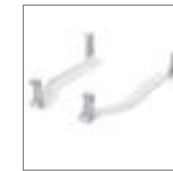


Bucket holder
Grey: 80209258
Fits Bucket with handle and lid and other buckets with a thick rim.
Material: Polypropene.



Pan
Grey: 80209254
Material: polypropylene.

Pan incl. lid with handle
Grey: 80209255
Material: Polypropylene.



Attachment for low mounting of pan/bucket
Grey: 80209259
Fitted to the pan/bucket holder. Lowers the pan/bucket holder with 6 cm (2½"). Material: Polypropene.



Pan holder
Grey: 80209257
Fits both pan, bedpan and regular hospital pans with a thin rim.



Disposable pans
80209282
Strong and firm. 50 pcs.



Bucket with handle and lid
80302026
The bucket holder is not included.
Material: Polypropylene.



Disposable pan holder kit
Grey: 80209229
Fits Disposable pan.

Additional accessories – Clean Height Adjustable only



Flip up foot supports
80209250
Removable, adjustable height. Attachments included.
Material: powder coated aluminum and polypropylene foot supports.



Elevating leg support
Right: 80209252
Left: 80209253
Attachments included.
Material: ABS plastic, stainless.

Additional accessories – Clean 49 and 55 cm only



Rear wheel adapter
White: 80209262
Material: Aluminium, polyamide.



Heightening kit with wheels
White, 4 pcs: 80209511
Lagoon green, 4 pcs: 80209512
Raise the seat by 5 cm (2").
Material: Aluminium.



75 mm (3") castors
White, front, pair: 80209515
White, back pair: 80209516
Lagoon green, front, pair: 80209513
Lagoon green, back, pair: 80209514
Reduce seat height by 5 cm (2").
Mounted on Clean 44 cm as standard. Material: polyamide/TPE.



"Everyone should be able to live a free and independent life and pursue their dreams regardless of any physical circumstances."