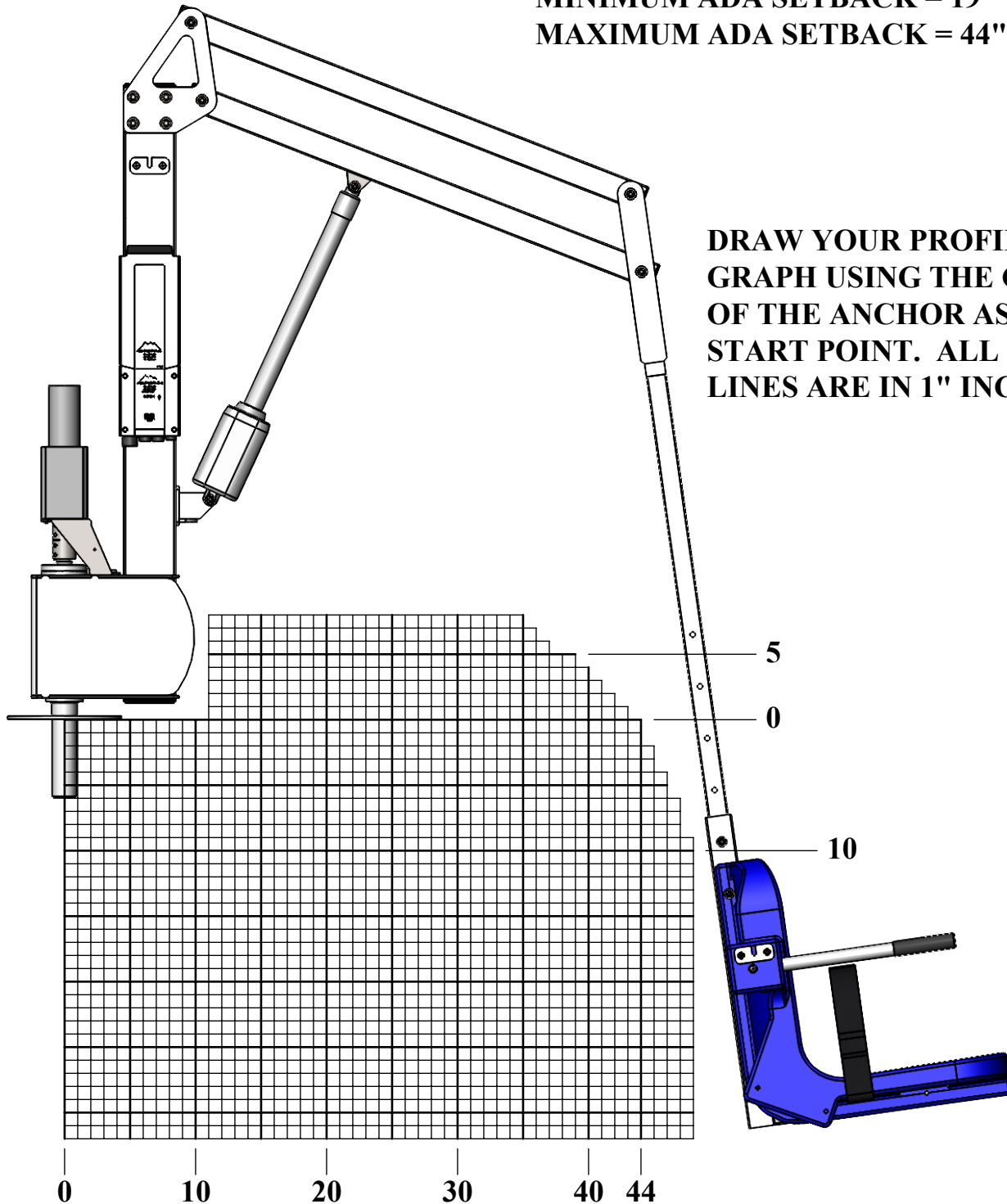


SCOUT EXCEL GRAPH CHART

MINIMUM ADA SETBACK = 19"
 MAXIMUM ADA SETBACK = 44"

DRAW YOUR PROFILE ON THE GRAPH USING THE CENTER OF THE ANCHOR AS YOUR START POINT. ALL GRAPH LINES ARE IN 1" INCREMENTS.



SEAT ATTACHED AT LOWEST POSITION



9889 GARRYMORE LANE
 MISSOULA, MT 59808
 (406) 549-0769
 FAX (406) 549-2602

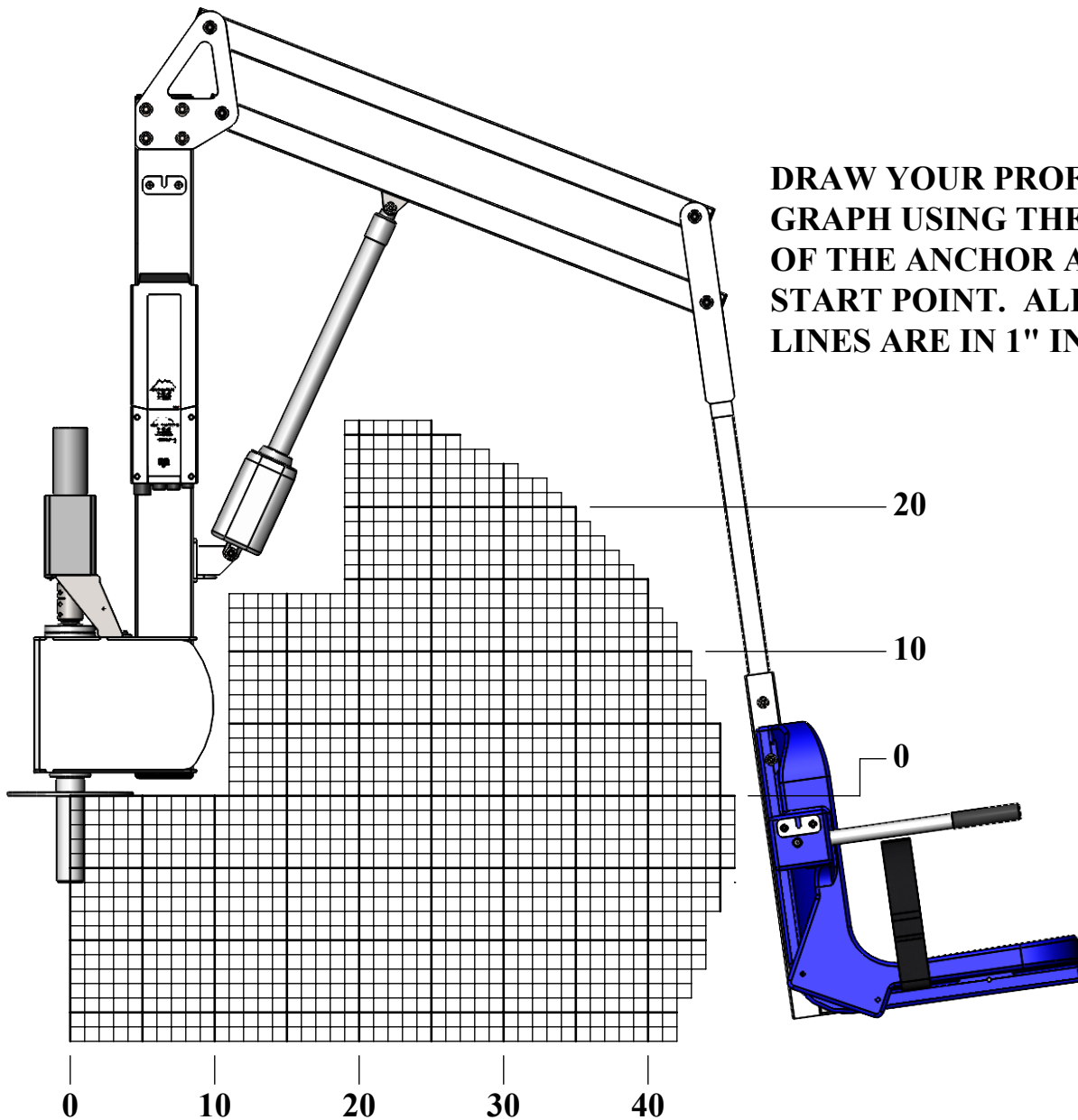
NOTE:
 *SPECIFICATIONS ARE SUBJECT TO CHANGE WITHOUT NOTICE

PRODUCT:		SCOUT EXCEL LIFT	
PART #:		F-SCTXL	
SCALE:	1:12	DATE:	6/12/2020
DRAWN BY:	KR	REVISION:	00

SCOUT EXCEL GRAPH CHART

MINIMUM ADA SETBACK = 19"
 MAXIMUM ADA SETBACK = 46"

DRAW YOUR PROFILE ON THE GRAPH USING THE CENTER OF THE ANCHOR AS YOUR START POINT. ALL GRAPH LINES ARE IN 1" INCREMENTS.



SEAT ATTACHED AT HIGHEST POSITION



9889 GARRYMORE LANE
 MISSOULA, MT 59808
 (406) 549-0769
 FAX (406) 549-2602

NOTE:
 *SPECIFICATIONS ARE SUBJECT TO CHANGE WITHOUT NOTICE

PRODUCT:		SCOUT EXCEL LIFT	
PART #:		F-SCTXL	
SCALE:	1:12	DATE:	6/12/2020
DRAWN BY:	KR	REVISION:	00