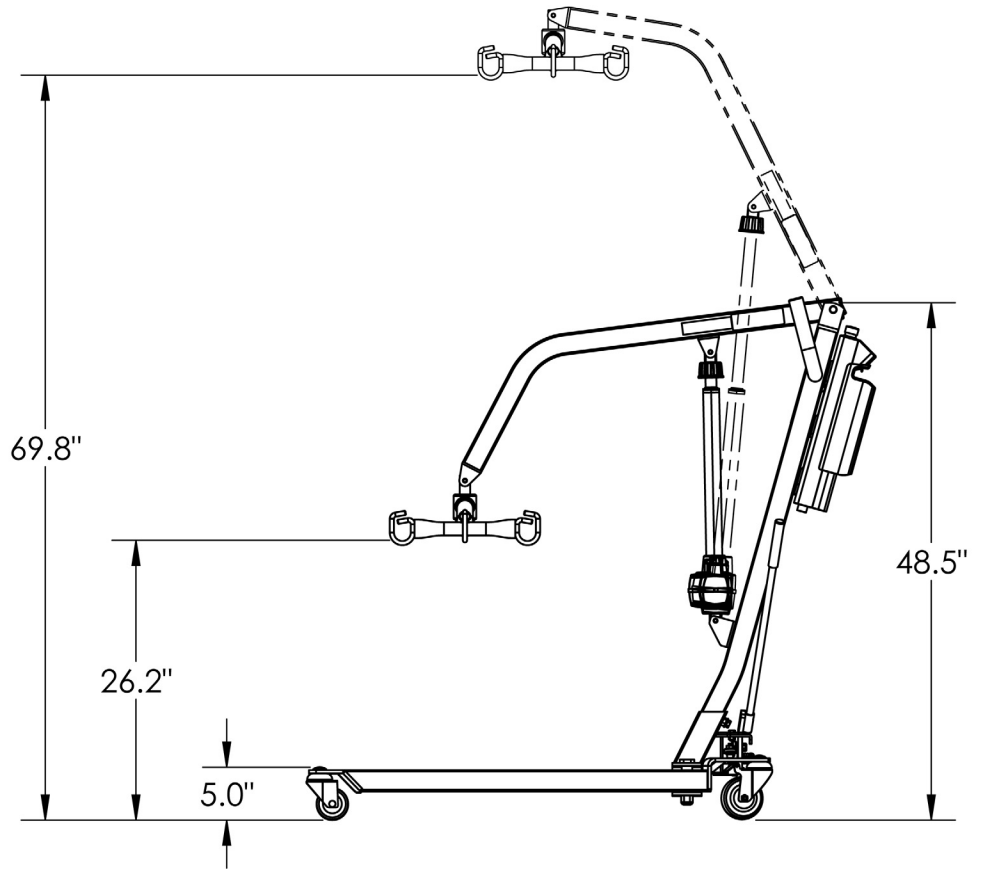
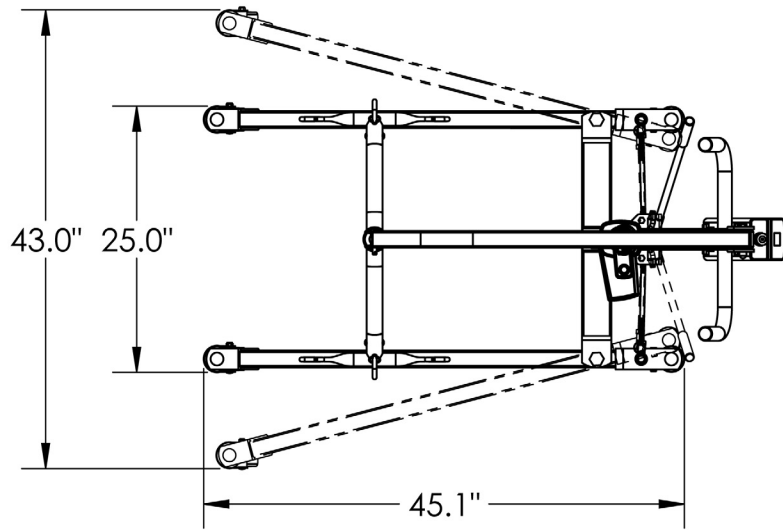




Span F500P

Full Body Patient Lift

DIMENSIONS CHART



SPAN
better science. better care.