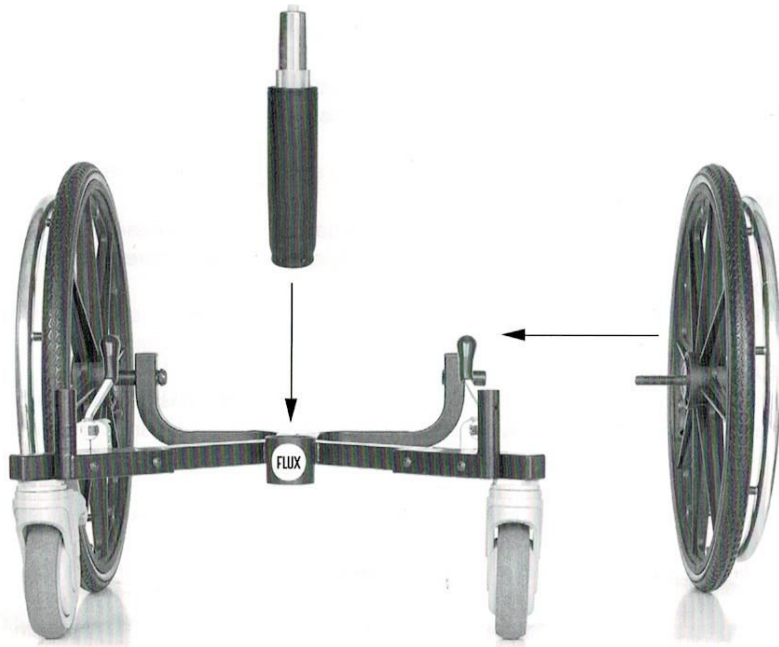


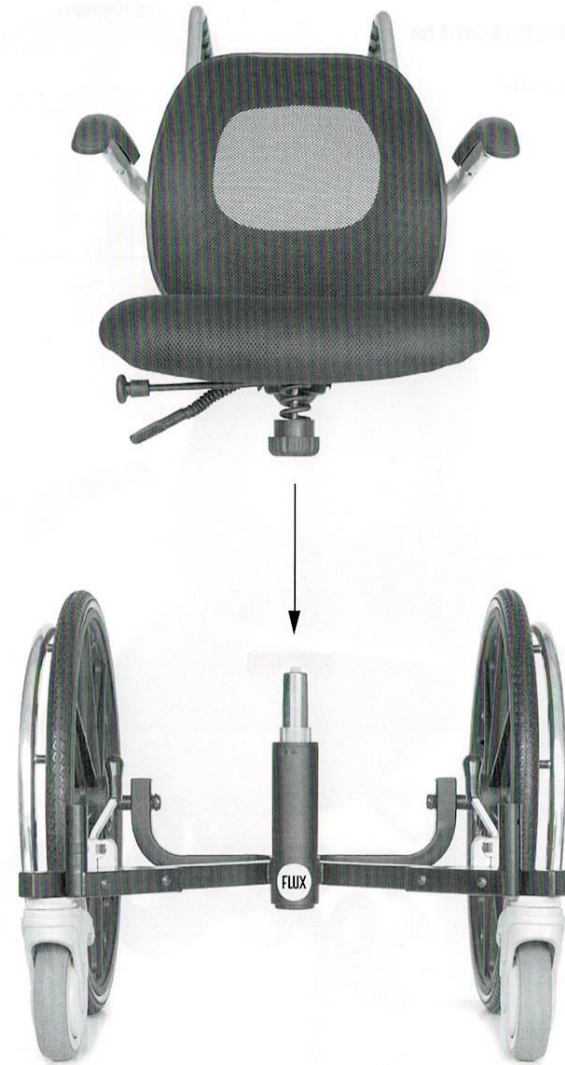
PRODUCT DESCRIPTION

The FLUX® Daily Living Chair by Troy Technologies, Inc. is the only modular wheelchair in the world! Move freely within the confines of your home or workstation without sacrificing comfort. By adding only the options you need, you can create the perfect wheelchair for your environment.



ASSEMBLY:

1. Begin by attaching the two 20" rear wheels onto the base frame using the hardware and tools provided. Be sure to tighten the axle bolt and nut until it is secure. Then place the gas spring into the gas spring housing as shown.
-



2. Lower the seat assembly onto the gas spring. Make sure the large wheels are at the back of the chair and that the seat is positioned in straight alignment with the base. The two halves of the chair will be loosely assembled and can be twisted for fine adjustment. The gas spring is held in position with friction only. Once you sit in the chair, the two halves of the chair will be permanently pressure fit together.
-