

**Savaria**

Ceiling Lift  
Free Standing Support  
4 Posts

**OWNER'S  
MANUAL**



**IMPORTANT**

Be sure to read this entire manual before using the Free Standing Support 4 Posts (FSS 4P). The information in this manual is important for the safety of the person being transferred and the operator, and for the proper use and maintenance of the FSS 4P. Transfer always presents a potential risk and this manual provides important safety information that must be read and understood to help prevent injuries.

Unauthorized modifications to this FSS 4P may affect its safety. Savaria Concord Lifts, Inc. will NOT be held responsible for any accidents, incidents or performance deficiencies that occur due to any unauthorized modification to this FSS 4P. To avoid potential injury due to the use of inadequate parts, always use only Savaria replacement parts.

Regularly scheduled maintenance must be performed on your FSS 4P by an Authorized Savaria Dealer to ensure safety and proper operation of the lift. Refer to the Maintenance section in this manual.

---

## STANDARD NOTATIONS

The following notations may be used throughout this manual to emphasize important safety information, mechanical concerns, and other important information. Please review and follow all of these messages.



### **DANGER**

Danger messages indicate an imminently hazardous situation, which, if not avoided, results in death or serious injury. All danger messages feature a standard ISO safety alert symbol followed by the signal word **DANGER** in capitalized black lettering on a red background.



### **WARNING**

Warning messages indicate a potentially hazardous situation, which, if not avoided, could result in death or serious injury. All warning messages feature a standard ISO safety alert symbol followed by the signal word **WARNING** in capitalized black lettering on a dark yellow background.



### **CAUTION**

Caution messages indicate a potentially hazardous situation, which, if not avoided, could result in minor injuries. All caution messages feature a standard ISO safety alert symbol followed by the signal word **CAUTION** in capitalized black lettering on a yellow background.

---

### **NOTE**

Note messages provide information, such as reminders, general information about a previous statement, or additional guidelines that do not fit into the flow of the preceding text. All note messages include the signal word **NOTE** in capitalized white lettering on a blue background.

---

---

## CONTENTS

1. OVERVIEW .....	5
Intended Use .....	5
Product Life .....	5
Using This Manual .....	5
2. SAFETY INSTRUCTIONS .....	6
To Ensure Safety .....	6
3. DESCRIPTION .....	7
Installation .....	7
Symbols .....	30
4. SPECIFICATIONS .....	32
Dimensions .....	33
FSS 4P SD Dimensions .....	33
FSS 4P MD Dimensions .....	34
FSS 4P HD Dimensions .....	35
5. MAINTENANCE .....	36
Operator Maintenance Schedule .....	36
Dealer Maintenance Schedule .....	37
Inspection and Cleaning .....	37

---

# 1. OVERVIEW

## Intended Use

The Free Standing Support 4 Posts (FSS 4P) is designed for use by caregivers and health care professionals to lift and transfer a person in a homecare, assisted-living or hospital environment. Transfer must be performed by a qualified operator as described in this manual. **Do NOT use the FSS 4P for any other purpose.**

## Product Life

The FSS 4P is designed for a useful life of 10 years after which time it must be replaced. To ensure this life span, you must perform the preventive maintenance as specified in the Maintenance section in this manual.



**Savaria Concord Lifts, Inc. cannot ensure complete safety for a FSS 4P that has exceeded its useful life. Wear may cause failure or a part and lead to a patient fall.**

## Using This Manual

To ensure safe operation of the FSS 4P, read this entire manual carefully, especially the Safety Instructions, before installing, using or maintaining the FSS 4P. Failure to comply with all WARNINGS in this manual may result in injury. If there is anything you don't understand, contact your Authorized Savaria Dealer for further details.

Keep this manual with the FSS 4P and ensure all operators are fully trained in the use of the lift with the FSS 4P as described in this manual.

---

## 2. SAFETY INSTRUCTIONS

Keep these *Safety Instructions* with the FSS 4P at all times. Read this entire manual before installing, using or maintaining the FSS 4P.



**Do NOT use the FSS 4P for any purpose other than to transfer a person. To ensure safety of the person being transferred and the operator, follow all Safety Instructions.**

**Do NOT push, bump or smash the rail or posts to avoid flipping the FSS 4P or damaging components. Any damage to the structure could result an injury or death.**

### To Ensure Safety

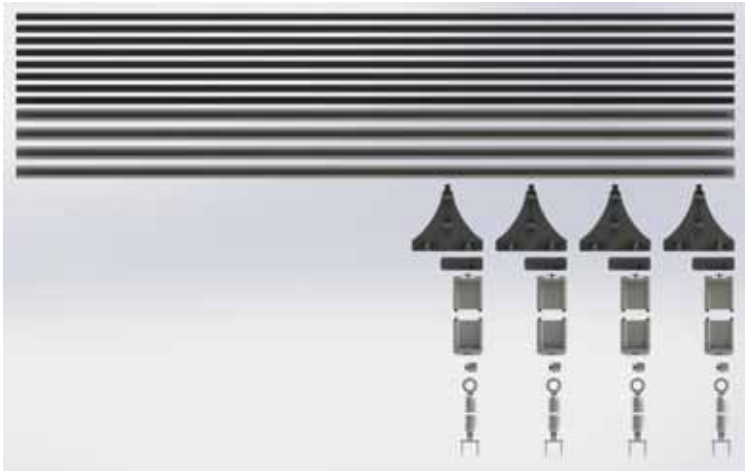
- The FSS 4P has a safe working load of up to **272 kg (600 lb)**. Do NOT exceed this load. Refer to the span chart of the FSS 4P at the specific section in this manual for the maximum load allowed.
- The FSS 4P must be installed by an Authorized Savaria Dealer.
- Ensure the FSS 4P is used only with a Savaria ceiling track and ceiling lift. If the track system or lift are not from Savaria, ensure the tracks and lift are properly assessed by a competent authority for fit, function, and safety.
- The FSS 4P must be installed by a trained and Authorized Savaria Dealer. We recommend 2 persons to avoid any injury or damages to the ceiling. Posts have to be cut to the proper length if the ceiling is lower than 10'8" (3.25 m).
- Check with a qualified health professional to ensure the person to be transferred has been deemed suitable for transfer.
- Take extra care with a person who is connected to electrodes, catheters or other medical devices to ensure safe transfer.
- Take care to avoid impact during transfer.
- Keep all components of the FSS 4P clean and dry.
- Ensure all checks and actions are performed at the frequency indicated in the *Maintenance* section in this manual.
- Do NOT use as a swing seat.

### 3. DESCRIPTION

#### Installation

The FSS 4P kit includes the items shown below.

**Figure 1**



MAXIMUM SPAN			
RAIL			
LOAD			
A	130 kg (286 lb)	3.5 m (137 in)	6.0 m (236 in)
	200 kg (440 lb)	3.0 m (118 in)	6.0 m (236 in)
	272 kg (600 lb)	2.5 m (98 in)	4.5 m (177 in)
B	130 kg (286 lb)	3.0 m (118 in)	5.0 m (196 in)
	200 kg (440 lb)	2.5 m (98 in)	4.5 m (177 in)
	272 kg (600 lb)	2.0 m (78 in)	4.0 m (157 in)
C	LENGTH = A - 0.5 m TYPE = SAME AS B		

- 1 Install the posts in the bases (x4). Note that the posts will have to be inserted into the bases sideways for safety (laying down on the floor).

**Figure 2**



- 2 Tighten the screws (x16) to a torque of 20 N·m, +/-3 (15 lb·ft).

**Figure 3**





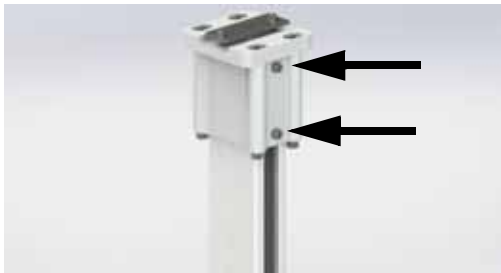
- 3 Install the upper rail attachment assembly (x4). Note that the upper rail attachment assemblies will have to be installed with the posts laying down on the floor.

**Figure 4**



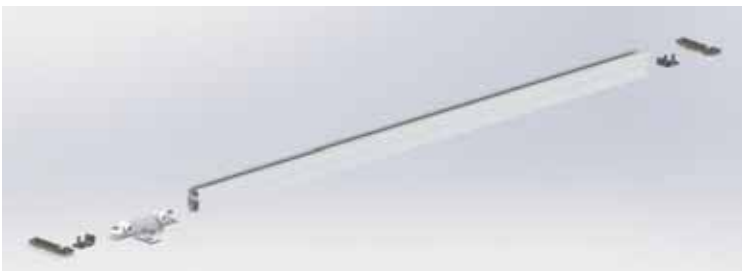
- 4 Tighten the screws (x16) to a torque of 20 N·m, +/-3 (15 lb·ft).

**Figure 5**



- 5 Insert the trolley (x1), end stoppers (x2) and the T-junction kit (x2).

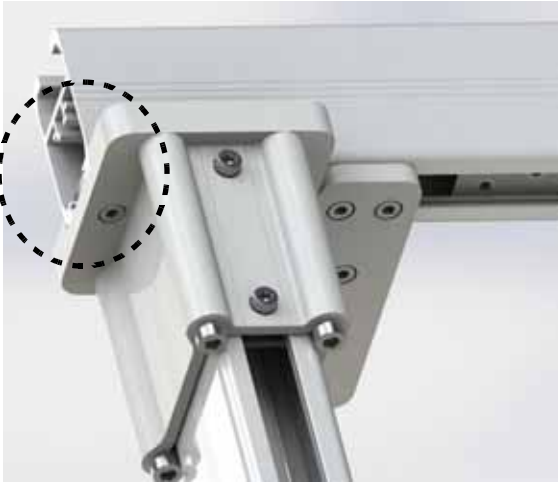
**Figure 6**



**NOTE:** Constant Charging Raceway (CCR) strips must be installed prior to this step.

- 6 Install the upper rail (x2). Note that it must be installed flush with the outside of the post bracket if it's a non-CCR system (see Figure 7) and at 28 mm if it's a CCR system (see Figure 8).

**Figure 7**



**Figure 8**



- 7 Tighten the screws (x4) to a torque of 20 N·m, +/-3 (15 lb·ft). Repeat steps 6 and 7 for the other rail.

**Figure 9**



- 8 Slide the T-junction in so it's touching the upper rail attachment and then tighten the screws (x4).
- 9 Tighten the T-junction screws (x4) and end stopper screws (x4) to a torque of 20 N·m, +/-3 (15 lb·ft).

**Figure 10**



**10** Install the transversal rails.

**Figure 11**



**Figure 12**



**11** Slide the transversal rail in until it meets the stopper on the T-junction.

**Figure 13**



**12** Tighten the screws (x4) to a torque of 20 N·m, +/-3 (15 lb-ft).

**Figure 14**



**13** Install the second set of posts.

**Figure 15**



**Figure 16**



**14** Tighten the screws (x4) to a torque of 20 N·m, +/-3 (15 lb·ft).

**Figure 17**



**15** Install the top plate assemblies (x4).

**Figure 18**



**Figure 19**





**16** Lock the track brackets (x4) to the top plate assemblies.

**Figure 20**



**Figure 21**



**Figure 22**



**17** Install the mobile rail.

**Figure 23**



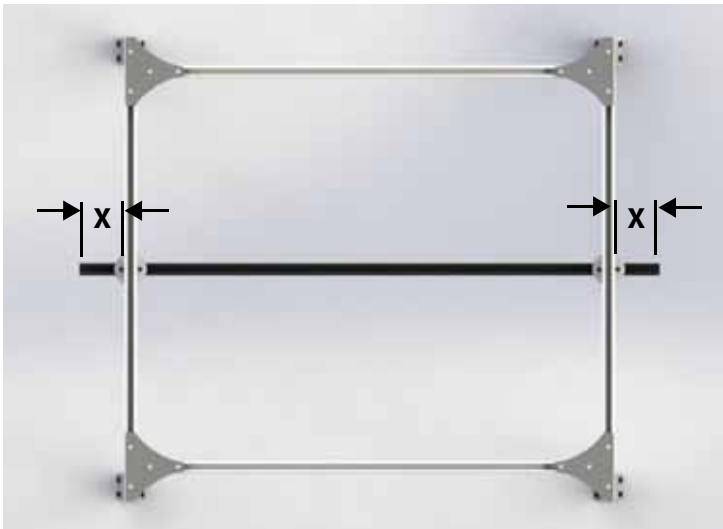
**Figure 24****Figure 25**

**Figure 26**



**18** Adjust the mobile rail. Note the maximum overhang is 250 mm (10 in).

**Figure 27**



**19** Tighten the screws (x2) to a torque of 20 N·m, +/-3 (15 lb·ft).

**Figure 28**



**20** Insert the trolley or lift in the rail and install the end stoppers and end caps.

**Figure 29**



**21** Tighten the screws (x4) to a torque of 20 N·m, +/-3 (15 lb·ft).

**Figure 30**



**22** Install the end caps on the fixed rails.

**Figure 31**



**23** Install the PVC strips.

**Figure 32**



**Figure 33**



**Figure 34**



**24** Level the structure.

**Figure 35**





**25** Install the appropriate MAX LOAD LABEL sticker on the mobile rail.

**Figure 36**



**26** Install the stiffeners (x4).

**27** Install the adapter.

**Figure 37**



**Figure 38**

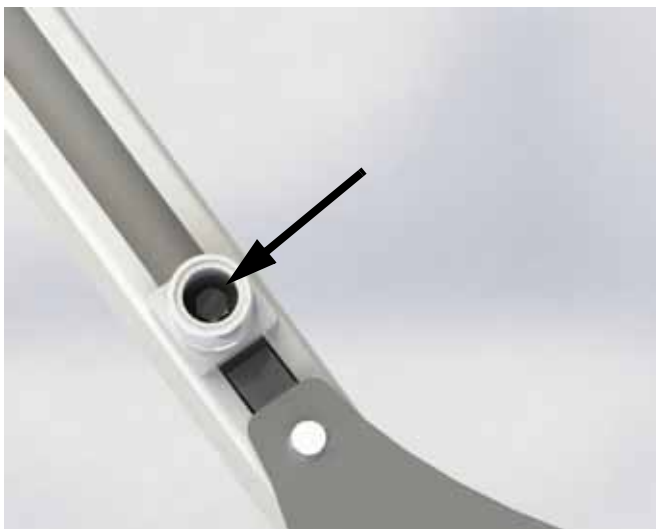


**Figure 39**



**Figure 40**

**28** Tighten the screw to a torque of 20 N·m, +/-3 (15 lb·ft).

**Figure 41**

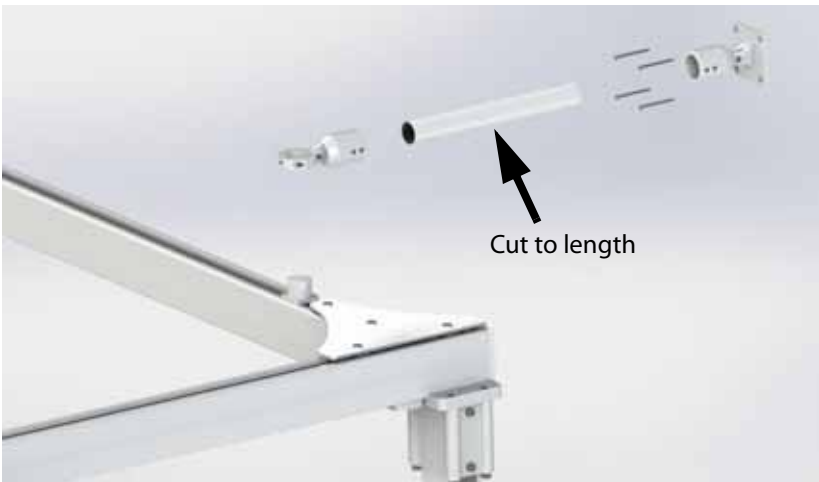
**29** Install the caps.

**Figure 42**



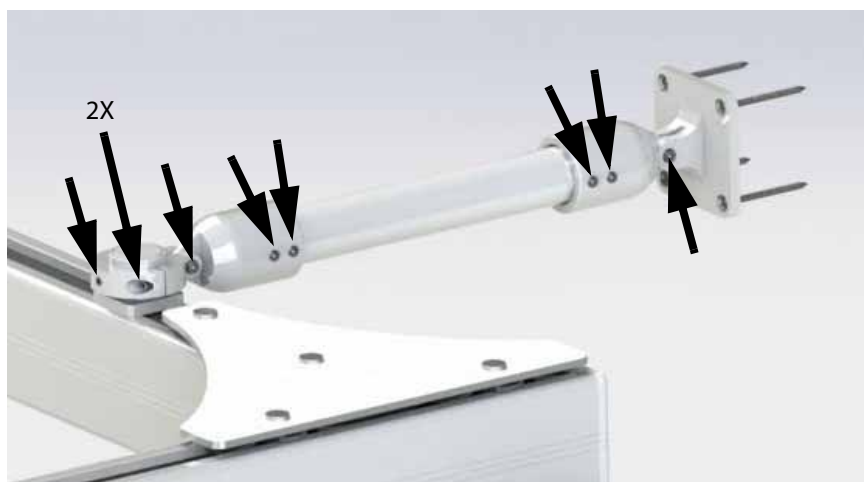
**30** Install the visible rail stiffener.

**Figure 43**



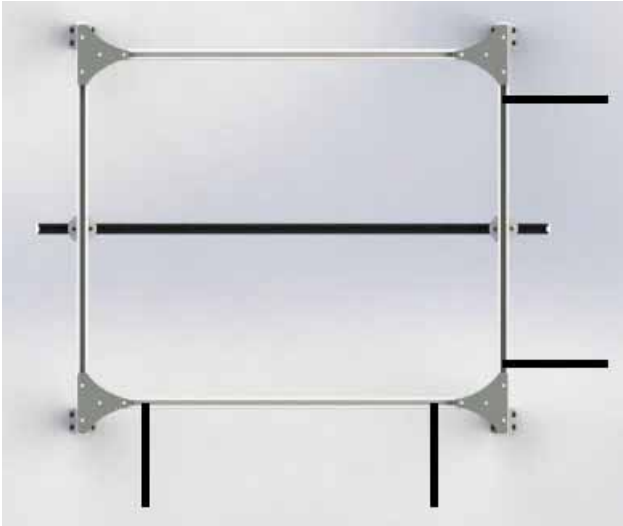
**Figure 44**

**31** Tighten the screws (x9) to a torque of 5 N·m, +/-1 (44 lb-in).

**Figure 45**

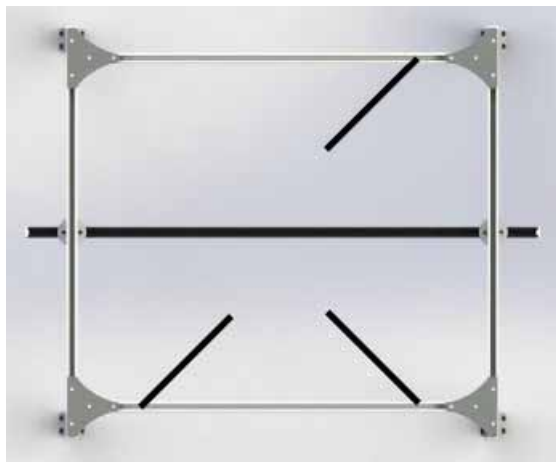
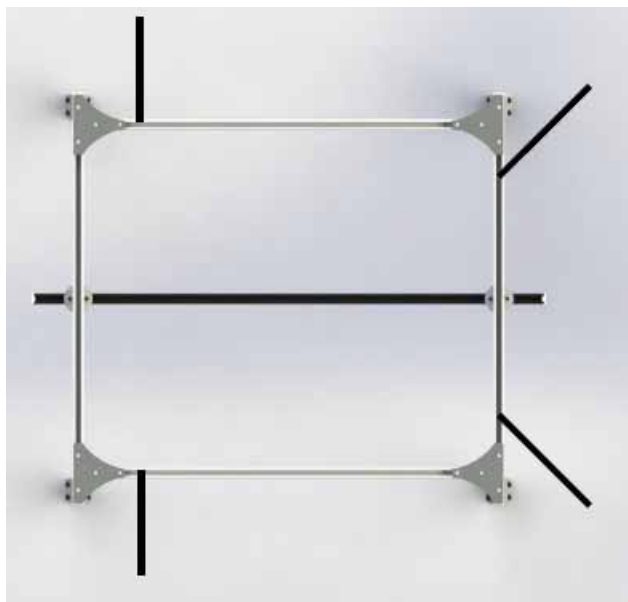
**32** The following illustrations show the stiffener locations on the top rails.

**Figure 46**



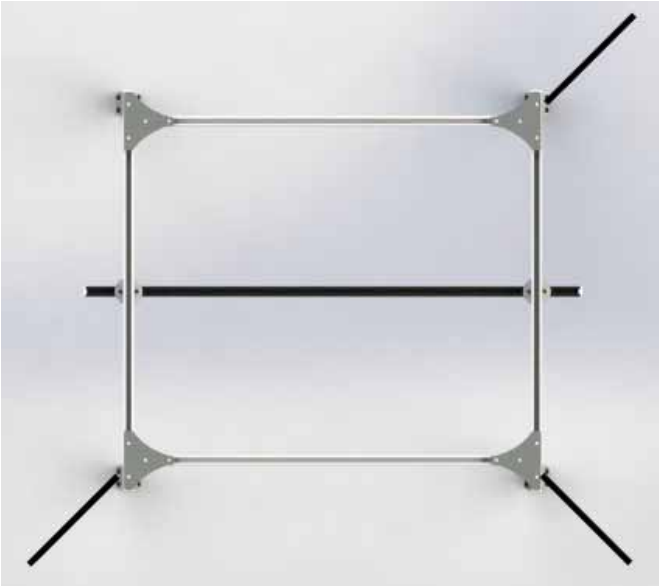
**Figure 47**



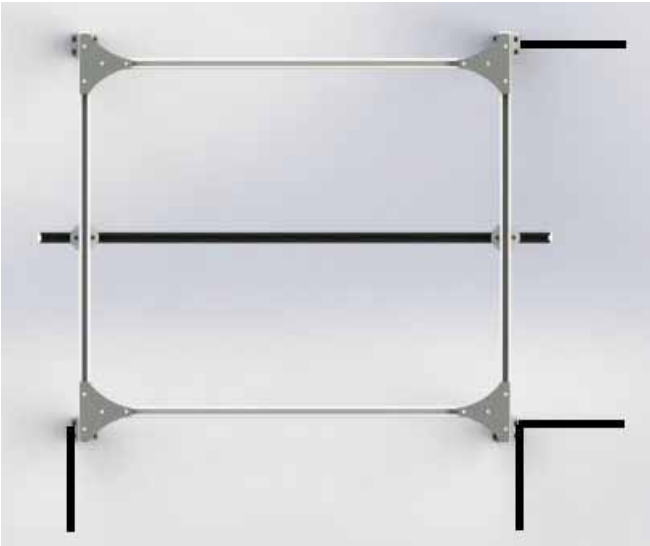
**Figure 48****Figure 49**

**33** The following illustrations show the stiffener locations on top of the posts.

**Figure 50**



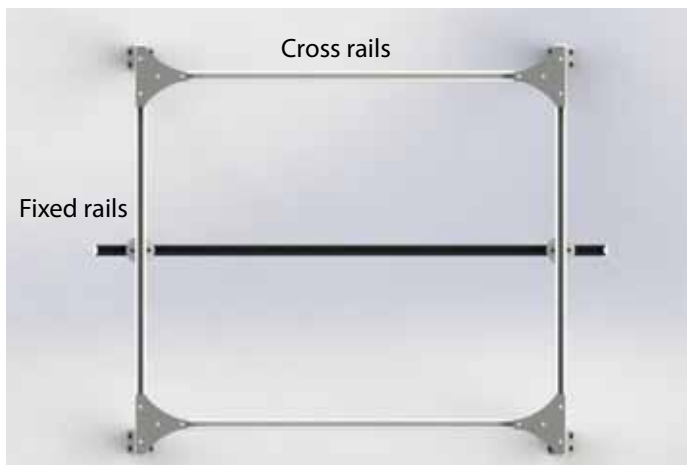
**Figure 51**













**Note:**

- Stiffener can be installed on top of the fixed rails only.
- Stiffener can be installed over and under the cross rails.
- Stiffener can be installed at the far top end of the posts.



**Figure 52****Figure 53**

## Symbols

The following chart illustrates the symbols used on the nameplate, the packaging and the lift.

<b>Symbols on nameplate</b>	
	<p>Indicates the medical device manufacturer. This symbol is accompanied by the address of the manufacturer and the date of the manufacturer.</p> <p>YYYY: Represents the year MM: Represents the month</p>
	<p>Indicates the authorized representative in the European Community.</p> <p>This symbol is accompanied by the address of the authorized representative.</p>
	<p>Indicates the manufacturer's catalogue number</p>
	<p>Indicates the manufacturer's serial number</p>
	<p>Keep dry</p>
	<p>Indicates the product complies with the medical device directive 93/42/EEC</p>
	<p>Caution</p>
<p><b>MAX . LOAD :</b></p>	<p>Refers to the greatest permissible load that can be applied to the product</p>
<b>Symbols on box label</b>	
	<p>Indicates the temperature limits to which the medical device can be safely exposed</p>

---

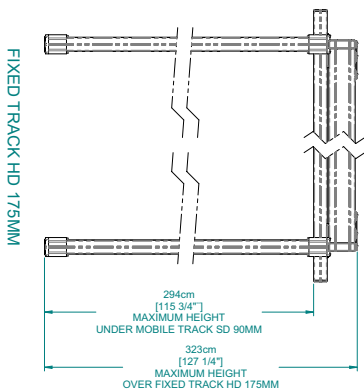
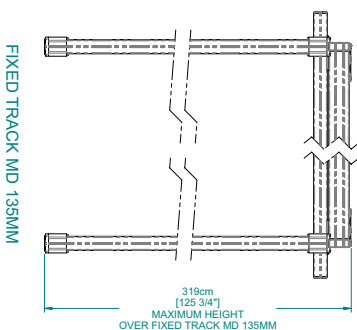
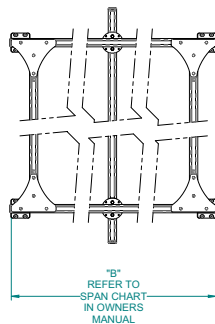
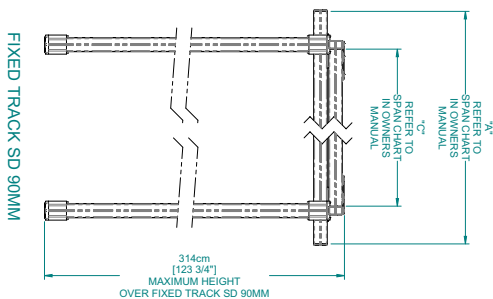
	Indicates the range of humidity to which the medical device can be safely exposed
	Indicates the range of atmospheric pressure to which the medical device can be safely exposed

## 4. SPECIFICATIONS

<b>Product</b>	
Product Weight	Base assembly: 32 kg (71 lb) Post: 7.2 kg each (16 lb each) Track: 3.14 kg/m (2.2 lb/ft)
Product Life	10 years
Safe Working Load (SWL)	130 kg (286 lb) or 200 kg (440 lb) or 272 kg (600 lb) depending on the span chart
<b>Environmental Conditions</b>	
Operating Temperature	5 °C to 40 °C (41 °F to 104 °F)
Operating Humidity	15 to 93%, non-condensing
Storage Temperature	-25 °C to 70 °C (-13 °F to 158 °F)
Storage Humidity	0 to 93%, non-condensing
Atmospheric Pressure	70 kPa to 106 kPa
<b>Compliance</b>	
ISO10535:2006,	
MDD 93/42 /EEC	

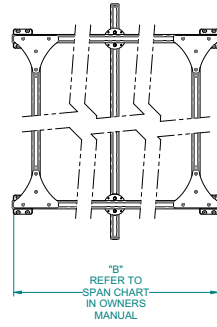
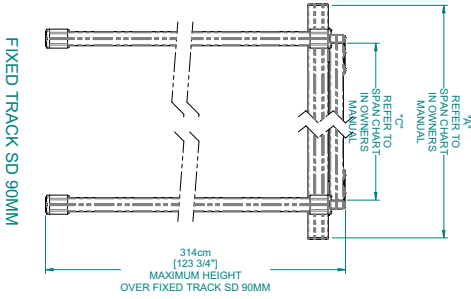
# Dimensions

## FSS 4P SD Dimensions

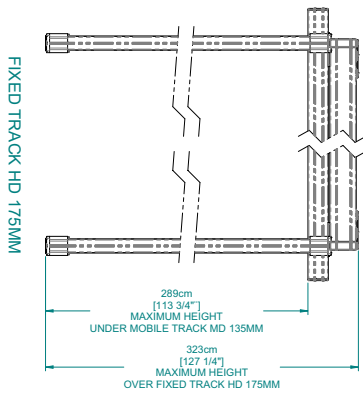
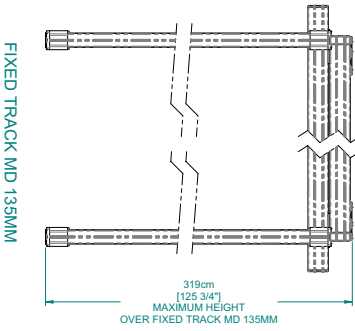


MOBILE TRACK SD 90MM

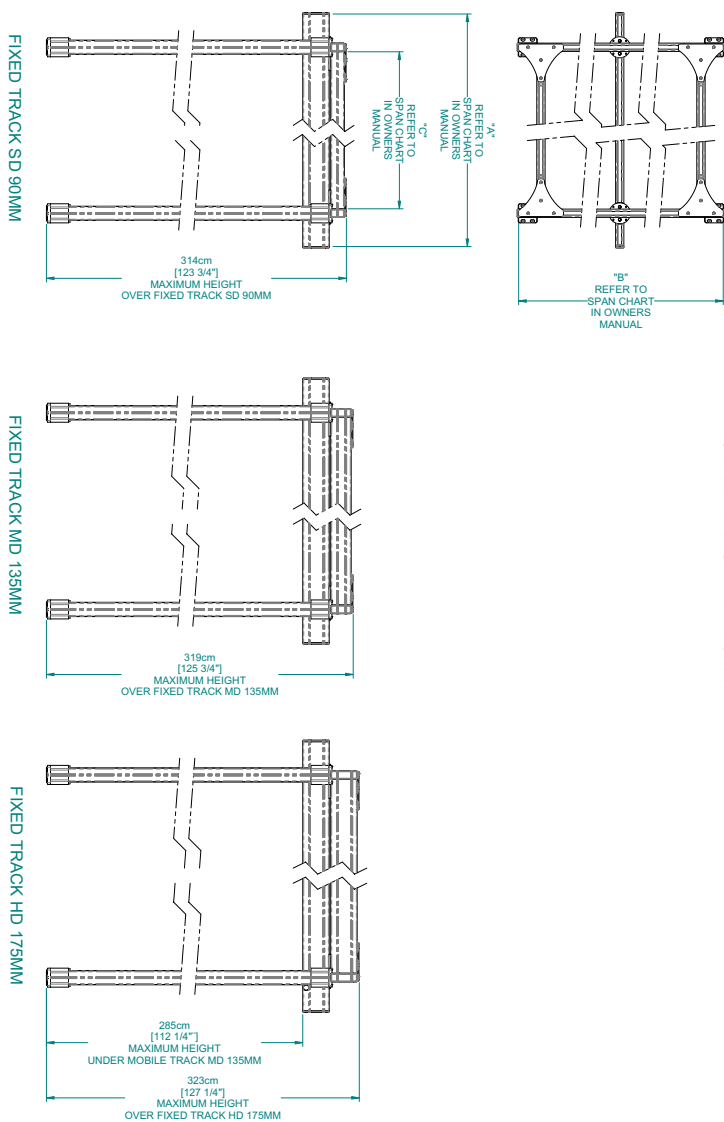
# FSS 4P MD Dimensions



**MOBILE TRACK MD 135MM**



## FSS 4P HD Dimensions



## 5. MAINTENANCE

The FSS 4P is subject to wear and tear from use. You must perform the checks and actions in the following tables ensure safety and proper operation.



**Contact your Authorized Savaria Dealer to perform the Dealer Checks/Actions. Safety-related maintenance and service must be performed by an Authorized Savaria Dealer.**

**This maintenance schedules provides the minimum recommendations. In some cases, more frequent checks may be required per local regulations and codes.**

**To ensure safety of the person being transferred and the operator, do NOT use the equipment if a fault is found or if these regular checks have not been performed.**

### Operator Maintenance Schedule

Perform the following checks/actions as indicated. If any of the checks fail, contact your Authorized Savaria Dealer for service or replacement of parts.

<b>Operator Check/Action</b>	<b>Frequency</b>
Check the track and hardware for any damage	Before every use
Ensure the track end stops are securely in place	Before every use
Clean the track	Every 4 months
Check for any loose hardware and tighten as needed	Every 4 months
Check the track, hardware, and trolley wheels for damage	Every year



## Dealer Maintenance Schedule

Perform the checks/actions listed in the Operator Maintenance Schedule as well as those listed in the table below.

Dealer Check/Action	Frequency
Perform a load test on the FSS 4P with the Safe Working Load	Every year
Check for any loose hardware and tighten as needed	Every year



**To avoid potential injury, use only Savaria parts when replacing parts.**

**To prevent the person from falling (or objects from falling) that may cause injuries to the person, the operator or other persons, always reinstall the track end stops if they were removed for servicing. Note that the recommended tightening torque is 20 N·m (15 lb·ft).**

**Figure 54**



## Inspection and Cleaning

To clean the FSS 4P, wipe down the structure with a damp cloth using warm water and a cleaner. You can also use wipes that have a 70% v/v solution of isopropyl alcohol.

Do not use phenol, chlorine or any other type of solvent that may damage the finish.

Rub the FSS 4P vigorously with the cloth or wipe to ensure thorough cleaning of the entire surface.

Dry all surfaces with a soft cloth.

**Ceiling Lift**  
**Free Standing Support 4 Posts**  
**OWNER'S MANUAL**