

Freedom Accessible Shower 60" x 36"

FREEDOM INSPIRE SERIES

MODEL APX6036BFKT LR

Note: Shower kit RH drain shown

Exterior Dimensions: 60W x 37D x 78H

Interior Dimensions: 57 W x 30 5/8 D clear floor space



FEATURES

- 5-piece Barrier Free Shower
- Pre-levelled shower base, no recess necessary (concrete or slab floor; drain area does require a 10" x 10")
- Full wood backing for installation of weight bearing accessories
- Textured slip-resistant floor
- Left or right drain location, ideal for bathtub replacement
- Interlock base and wall design
- Subway tile wall design
- Drain included, square plate, chrome finish, no caulk
- Large shelving niche with opening for slide bar
- Accepts conventional shower doors
- Possible one day install

OPTIONS

(All accessories shipped loose for field installation)

- Standard and Premium Accessory Kits available
- Collapsible water retainer with end caps
- Pressure balance valve
- Hand held shower with slide bar
- Weighted shower curtain and rod
- Folding shower seat
- Grab bars

CODE COMPLIANCE

- IPC International Plumbing Code
- UPC Uniform Plumbing Code
- ANSI Z124.2 Standards for Plastic Showers
- CSA Canadian Standards Association
- NFPA 101.24.2.8

Due to the nature of the materials, dimensions may vary +/- 1/2".

Lifetime Limited Warranty

*See terms and conditions for details.

KIT INCLUDES

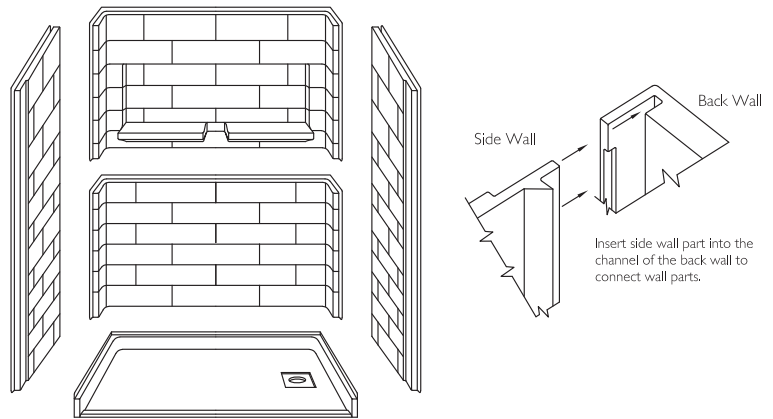
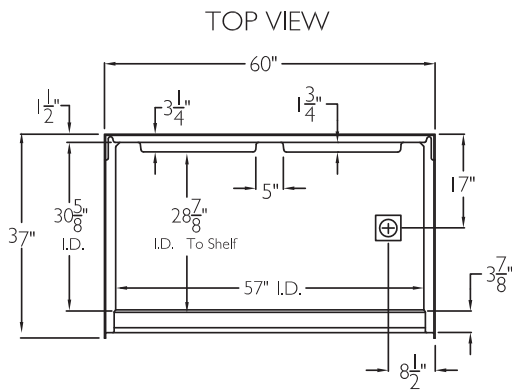
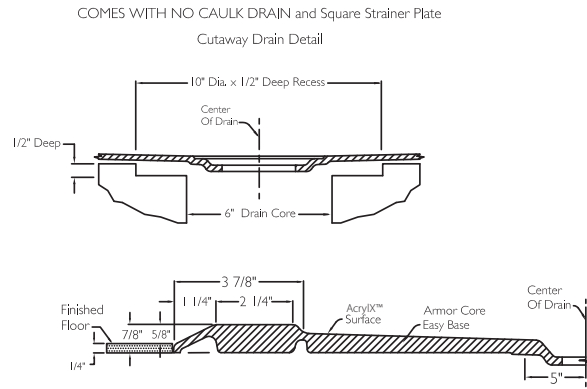
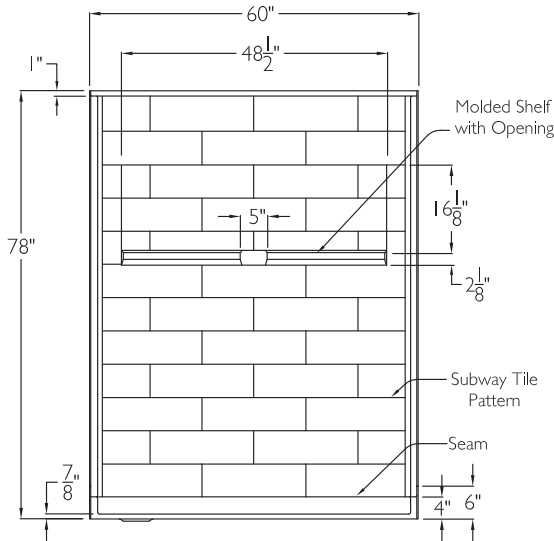
- 2-Side walls APX3672SWST-WH
- 2-Back wall pieces APX6072BWSTI-WH
- 1-Pan APX6036BFP L/R-WH

COLOR & TRIM OPTIONS

Standard Color	Code
White	WT

Freedom Accessible Shower 60" x 36"

FREEDOM INSPIRE SERIES
MODEL APX6036BFKT LR



FEATURES Dimensional Tolerance $\pm 1/2"$. Dimensions needed for site preparation should be measured from the unit. Accessibility Professionals Inc. assumes no responsibility for prep work.

Model #	Material	Wall Finish	Pieces	Pkg. Wt. lbs
APX6036BFKT LR	Applied Acrylic	Subway Tile	5	385 w/Pallet

DIMENSIONS

Specifications	inches
Exterior Dimensions	60 x 37 x 78
Interior Dimensions	57 x 30 5/8 clear floor space
Shower Door Opening	57 1/2 W x 76 1/4 H

FRAME-IN DIMENSIONS

A	B	C	D
60 1/4	8 9/16	17	37

