



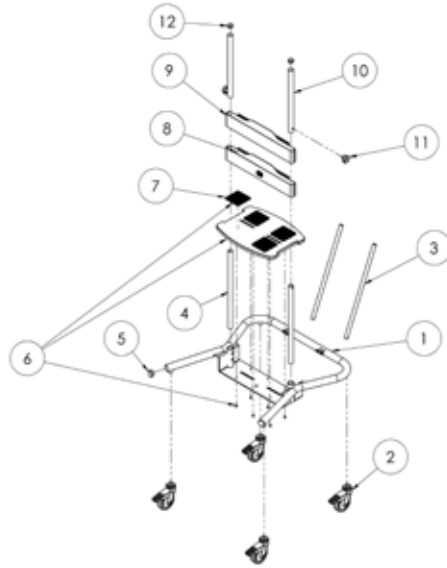
Freestander

Spare Parts Catalogue



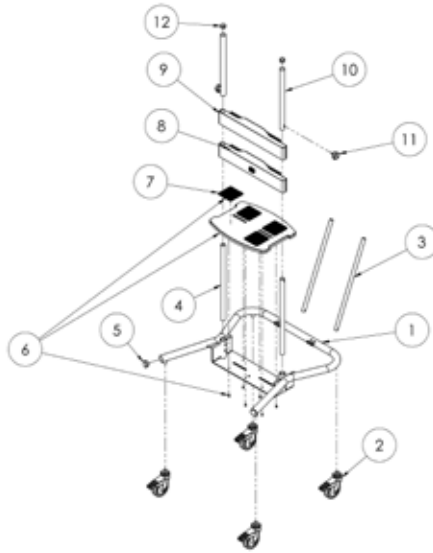
Supporting
Children

Freestander Spare Parts - Main Frame & Belts



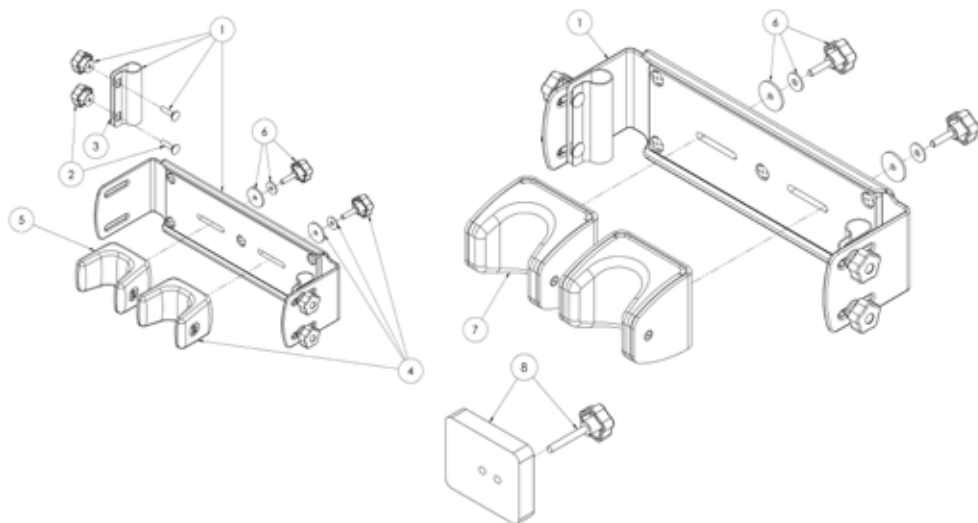
Pos.	Leckey Sales Code	Description	Compatible with		
			Size 1	Size 2	Size 3
1	RAT-4-1636	Frame [Size 1]	●		
1	RAT-4-2636	Frame [Size 2]		●	
1	RAT-4-3636	Frame [Size 3]			●
2	IA13	4" Castor [Single]	●	●	●
3	RAT-4-1014	Tray Lower Tube [Size 1] [Single]	●		
3	RAT-4-2014	Tray Lower Tube [Size 2] [Single]		●	
3	RAT-4-3014	Tray Lower Tube [Size 3] [Single]			●
4	RAT-4-1005	Upright Lower Tube [Size 1] [Single]	●		
4	RAT-4-2005	Upright Lower Tube [Size 2] [Single]		●	
4	RAT-4-3005	Upright Lower Tube [Size 3] [Single]			●
5	SF56	1-1/2" Ribbed Tube Inserts [4 Pack]	●	●	●
6	RAT-4-1004	Footplate [Size 1]	●		
6	RAT-4-2004	Footplate [Size 2]		●	

Freestander Spare Parts - Main Frame & Belts - Continued



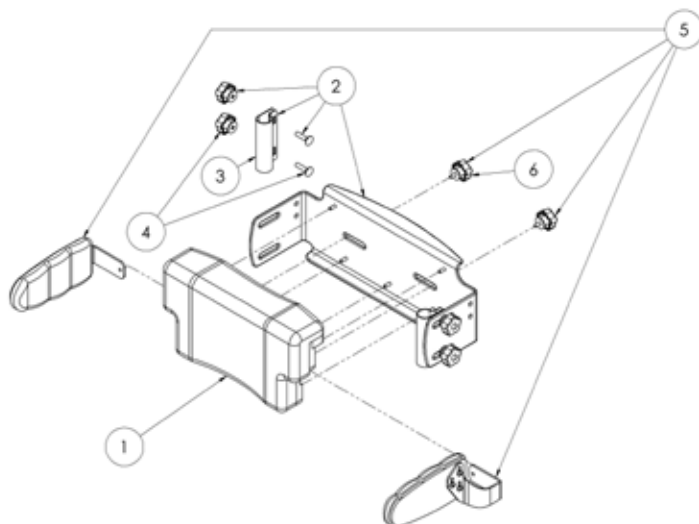
Pos.	Leckey Sales Code	Description	Colour Options		Compatible with		
			Meadow	Mondeo Blue	Size 1	Size 2	Size 3
		[Replace XX with colour]					
8	LFS/1/B-XX	Hip Belt Std [Size 1]	-MW		●		
8	LFS/2/B-XX	Freestander Pelvic Band [Size 2]		-MB		●	●
8	LFS/3/B-XX	Hip Belt Std [Size 3]		-MB		●	●
9	LFS/1/D-XX	High Back Strap [Size 1]	-MW		●		
9	LFS/2/D-XX	High Back Strap [Size 2]		-MB		●	
9	LFS/3/D-XX	High Back Strap [Size 3]		-MB			●
10	RAT-4-1006	Upright Upper Tube [Size 1]			●		
10	RAT-4-2006	Upright Upper Tube [Size 2]				●	
10	RAT-4-3006	Upright Upper Tube [Size 3]					●
11	SF41	M8x16 Knob [Single]			●	●	●
12	SF55	1 1/8" Dia Ribbed Tube Insert [Single]			●	●	●
13	LFS/1/L5-XX	Pole End Protectors	-MW	-MB	●	●	●
14	LFS-9500	Care Kit			●	●	●

Freestander Spare Parts - Knee



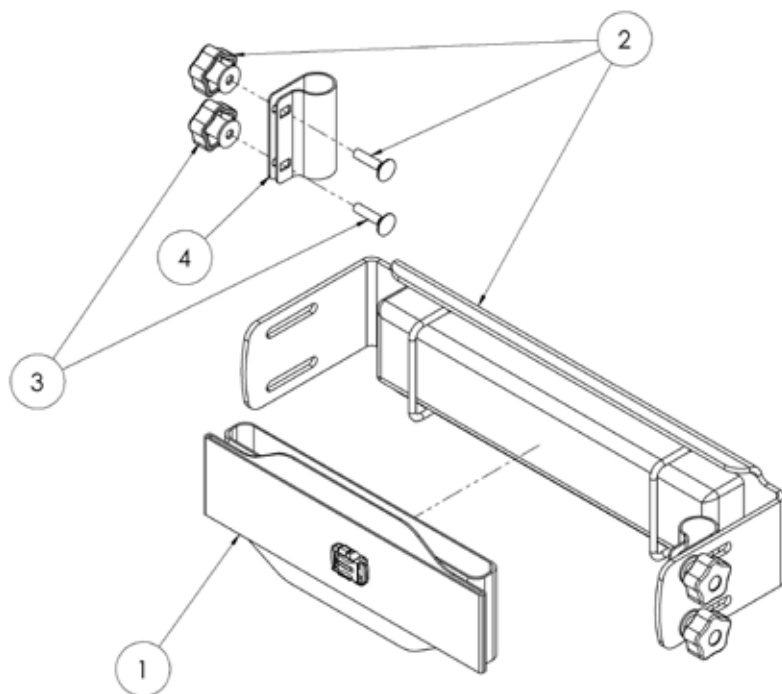
Pos.	Leckey Sales Code	Description	Colour Options			Compatible with		
			Meadow	Mondeo Blue	Size 1	Size 2	Size 3	
		[Replace XX with colour]						
1	RAT-4-1635	Freestander Knee Plate [Size 1]			●			
1	RAT-4-2635	Freestander Knee Plate [Size 2]				●		
1	RAT-4-3635	Freestander Knee Plate [Size 3]					●	
2	RAT-4-1638	Freestander Plate Fitting [Single]			●	●	●	
3	RAT-4-1032	Plate Cleat [Size 1] [Single]			●			
3	RAT-4-1031	Plate Cleat [Size 2/3] [Single]				●	●	
4	102-1645	PU Kneecup with Fittings [Size 1] [Single]			●	●	●	
4	102-2645	PU Kneecup with Fittings [Size 2] [Single]			●	●	●	
4	102-3645	PU Kneecup with Fittings [Size 3] [Single]			●	●	●	
4	102-4645	PU Kneecup with Fittings [Extra Large] [Single]			●	●	●	
5	102-1640	PU Kneecup [Size 1] [Single]			●	●	●	
5	102-2640	PU Kneecup [Size 2] [Single]			●	●	●	
5	102-3640	PU Kneecup [Size 3] [Single]			●	●	●	
5	102-4640	PU Kneecup [Extra Large] [Single]			●	●	●	
6	RAS-4-1032	Knee Fittings [Single]			●	●	●	
7	RAS-4-1966-XX	Upholstered Knee Pad [Size 1] [Single]	-MW		●			
7	RAS-4-2966-XX	Upholstered Knee Pad [Size 2] [Single]		-MB		●	●	
7	RAS-4-3966-XX	Upholstered Knee Pad [Size 3] [Single]		-MB		●	●	
7	RAS-4-4966-XX	Upholstered Knee Pad [Size 4] [Single]		-MB			●	
8	LPS/1/F	Knee Spacer			●	●	●	

Freestander Spare Parts - Chest Pad & Laterals



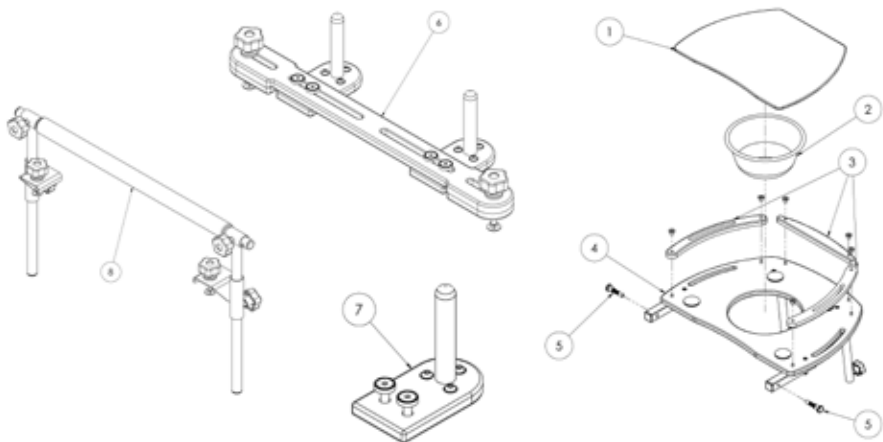
Pos.	Leckey Sales Code	Description	Colour Options		Compatible with		
			Meadow	Mondeo Blue	Size 1	Size 2	Size 3
[Replace XX with colour]							
0	RAT-4-1630-XX	Chest Pad Full Assembly [Size 1]	-MW		●		
0	RAT-4-2630-XX	Chest Pad Full Assembly [Size 2]		-MB		●	
0	RAT-4-3630-XX	Chest Pad Full Assembly [Size 3]		-MB			●
1	RAT-4-1611-XX	Chest Pad [Size 1]	-MW		●		
1	RAT-4-2611-XX	Chest Pad [Size 2]		-MB		●	
1	RAT-4-3611-XX	Chest Pad [Size 3]		-MB			●
1	RAS-4-3611-XX	Chest Pad [Size 3] (Double Thoracic)		-MB			●
2	RAT-4-1637	Chest Plate [Size 1]			●		
2	RAT-4-2637	Chest Plate [Size 2]				●	
2	RAT-4-3637	Chest Plate [Size 3]					●
2	RAT-4-4637	Large Chest Plate (Double Thoracic)					●
3	RAT-4-1031	Plate Cleat [Single]			●	●	●
4	RAT-4-1638	Freestander Plate Fitting [Single]			●	●	●
5	LPS/1/103-XX	Flexi Chest Laterals [Size 1]	-MW		●		
5	LPS/2/103-XX	Flexi Chest Laterals [Size 2]		-MB		●	
5	LPS/3/103-XX	Flexi Chest Laterals [Size 3]		-MB			●
5	LFS/3/103-XX	Flexi Chest Laterals [Size 3] (Double Thoracic)		-MB			●
6	101-1963	Chest Fitting [Single]			●	●	●

Freestander Spare Parts - Hip Plate & Bands



Pos.	Leckey Sales Code	Description	Colour Options		Compatible with		
			Meadow	Mondeo Blue	Size 1	Size 2	Size 3
		[Replace XX with colour]					
1	LPS/1/B-XX	Pelvic Band [Size 1]	-MW		●		
1	LPS/2/B-XX	Pelvic Band [Size 2]		-MB		●	
1	LPS/3/B-XX	Pelvic Band [Size 3]		-MB			●
2	LFS/1/L-XX	Hip Plate [Size 1]	-MW		●		
2	LFS/2/L-XX	Hip Plate [Size 2]		-MB		●	
2	LFS/3/L-XX	Hip Plate [Size 3]		-MB			●
3	RAT-4-1638	Freestander Plate Fitting [Single]			●	●	●
4	RAT-4-1032	Plate Cleat [Single]			●	●	●

Freestander Spare Parts - Tray, Grab Posts & Rail



Pos.	Leckey Sales Code	Description	Compatible with		
			Size 1	Size 2	Size 3
1	RAS-4-1066	Tray Insert (Size 1)	●		
1	RAS-4-2066	Tray Insert (Size 2)		●	
1	RAS-4-3066	Tray Insert (Size 3)			●
2	SG41	8" Bowl	●		
2	SG42	10" Bowl		●	●
3	RAS-4-1948	Tray Trim Set (Size 1)	●		
3	RAS-4-2948	Tray Trim Set (Size 2)		●	
3	RAS-4-3948	Tray Trim Set (Size 3)			●
4	RAT-4-1639	Tray & Bars (Size 1)	●		
4	RAT-4-2639	Tray & Bars (Size 2)		●	
4	RAT-4-3639	Tray & Bars (Size 3)			●
5	RAS-4-1939	Tray Pin [Single]	●	●	●