

EasyStand[®] Glider[®]

Medium and Large

Please ensure the Owner's Manual stays with the unit at all times.



Owner's Manual

SYMBOL LEGEND



CAUTION/ATTENTION



**ENVIRONMENTAL
CONDITIONS**



TYPE BF APPLIED PART



DATE OF MANUFACTURE



PINCH POINT



SEE INSTRUCTIONS FOR USE

SN

SERIAL NUMBER



MANUFACTURER



Please be environmentally responsible and recycle this product through your recycling facility at its end of life.

R_xonly

Afin de préserver l'environnement, veuillez confier ce produit à votre centre de recyclage à la fin de sa durée de vie.

Nachdem dieses Produkt ausgedient hat, entsorgen Sie es bitte auf umweltfreundliche Weise, indem Sie es zu der entsprechenden Recyclingstelle bringen.

Wees a.u.b. milieubewust en recycleer dit product via uw recycleerder na het verstrijken van de levensduur.

Sea responsable con respecto al medio ambiente y recicle este producto al finalizar su vida útil en el lugar de reciclaje correspondiente.

Siate responsabili verso l'ambiente e riciclate questo prodotto, al termine della sua vita d'uso, presso la vostra sede di riciclaggio.

Kierrätä tämä tuote sen käyttöiän lopussa ympäristövastuullisella tavalla paikallisella kierrätyslaitoksella.

Var miljomedveten och återvinn denna produkt efter dess användning.

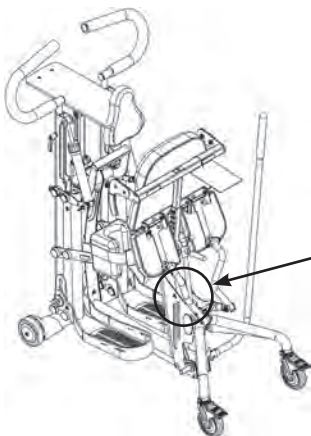
Vi ber deg ta hensyn til miljøet og resyklere dette produktet ved hjelp av de rette resyklingsfasilitetene når produktet ikke lenger kan brukes.

Vis venligst hensyn til miljøet ved at levere produktet til det nærmeste genbrugsanlæg, når det ikke længere fungerer.

Por favor, assumo responsabilidade ambiental, reciclando este produto em suas instalações de reciclagem no final de sua vida útil.

Table of Contents

Introduction	1
Safety Precautions	2
EasyStand Glider Assembly	3
Adjustments	4
Options Assembly	5
Pow'r Up Lift Option	11
Adjusting Your Glider	16
Glider Options & Parts Detail	17
Perfect Fit Guide	19
Transferring	20
Standing	21
Maintenance	22
Troubleshooting	23
Limited Warranty	24



Note: The serial number is located under the seat on the seat column.

Date Purchased _____ Serial # _____

Introduction

Congratulations on your purchase of an EasyStand standing frame. We at Altimate Medical have designed the EasyStand with your comfort and happiness in mind.

EasyStand Description

The EasyStand line of products is intended for individuals who are able to transfer independently or with assistance from a caregiver and/or lifting device. It is a useful tool for rehabilitation, home, school, and work use. EasyStand standing frames support the user from sitting to the standing position. Various options such as support, choice of manual or Pow'r Up Lift may be added to facilitate individual needs.

Intended Use

The EasyStand Glider line of products is intended to assist individuals who have difficulty rising from a seated position to a standing position.


Indications for Use

The Glider Medium is indicated for most individuals weighing up to 200 lbs. and within the height range of 4'0-5'6". The Glider Large is indicated for most individuals weighing up to 280 lbs. and within the height range of 5'0-6'2".

This manual is an integral part of your standing system and should be read completely and thoroughly by anyone that will be operating the unit. This will ensure the EasyStand is assembled properly and used in the most beneficial manner.

Altimate Medical recommends that an attendant be present when the EasyStand is being used. Should any problem arise that you cannot solve by reading this manual, please contact your local supplier or call Altimate Medical, Inc., at 800-342-8968 or 507-697-6393.

It is necessary that you inspect your EasyStand Glider at least weekly to ensure it is in safe operating condition. EasyStand adjustments that are listed in the product owner's manual can be made by the operator by following the instructions for use. After an adjustment is made, inspect the EasyStand to ensure all hardware and adjustable components are properly secured per the instructions for use. Replacement of worn parts, major adjustments, or any other important corrections should be handled by an authorized supplier or service center. Only Altimate Medical, Inc. approved replacement parts should be used to ensure safety and performance.

The EasyStand Glider shall be prescribed by a qualified physician or occupational/physical therapist. Do not use the EasyStand Glider without consulting your physician and receiving protocol for a standing program. Failure to consult a qualified physician prior to using the EasyStand Glider could lead to medical problems. The EasyStand Glider must be used with a qualified adult attendant present. Should any problems arise that you cannot solve by reading this manual, please contact your local supplier or call Altimate Medical, Inc., at 800-342-8968 or 507-697-6393. 

Join the Standing Community!

Our goal is simple - to empower people with disabilities to stand up for their health. Connect, share, and learn from other people with disabilities, special needs parents, clinical professionals, and the experts in standing on one of our social networking communities.

Read, share, and comment on the EasyStand Blog at blog.easystand.com
Find EasyStand on these social networking sites:



Safety Precautions


- If a user does not meet these specifications and has not been properly fitted by a qualified therapist or physician, Altimate Medical, Inc., does not recommend using the EasyStand.


Glider Medium - is designed to accommodate most individuals from 4'0"-5'6" (122-168cm) and up to 200 lbs. (90 kg)


Glider Large - is designed to accommodate most individuals from 5'0"-6'2" (152-188cm) and up to 280 lbs. (127 kg)


For more detailed specifications visit our website easystand.com

- Altimate Medical, Inc., recommends consulting with a therapist or physician prior to starting a standing program.
- Check the EasyStand periodically to ensure that all nuts, bolts and adjustable parts are tightened securely.
- Never make adjustments to the EasyStand while a user is in the standing position.
- Never reposition the foot plates while a user is in the standing position. Consult with a therapist or physician for proper foot placement and angle.
- It is necessary to inspect the EasyStand Glider at least weekly to ensure it is in safe operating condition. Pay particular attention for loose hardware. If the EasyStand is equipped with the optional Pow'r up lift please inspect the electrical cables for any wear and to ensure they are attached properly. Replacement of worn parts, major adjustments, or any other important corrections should be handled by an authorized dealer or service center. Only Altimate Medical, Inc., approved replacement parts should be used to ensure safety and performance.
- If the EasyStand is being used in the home environment, please inspect the unit prior to each use to ensure there is no damage or unexpected wear to the EasyStand that may have been caused unintentionally by pets, pests or children.
- Ensure the necessary support and alignment options are in position prior to bringing the user into the standing position.
- If the unit was exposed to temperatures of less than 50°F (10°C), the unit must warm to room temperature before use.
- **Operating Conditions:** Temperature: 41°F (5°C) -95°F (35°C), Relative humidity: 20% - 90% at 86°F (30°C), Atmospheric Pressure: 700 to 1060hPa.
- **Storage/Transport Conditions:** Temperature: 14°F (-10°C) -122°F (50°C), Relative humidity: 20% - 90% at 86°F (30°C), Atmospheric Pressure: 700 to 1060hPa.
- The EasyStand can be used at a maximum altitude of 3,050 meters (10,000 feet).
- The expected service life of an EasyStand is considered 5 years under normal use conditions. Note: This may vary based upon use.
- If you must transport the EasyStand in a vehicle, secure the unit so it does not move around. After transport inspect the EasyStand to ensure hardware is properly tightened and all options are secured.
- Use body weight to lower the seat. Do not use excessive force.
- The EasyStand is for indoor use on level surfaces only.
- Violently thrusting in the EasyStand may cause it to tip.
- Always put the rear casters and/or wheels in the locked position before transferring into the EasyStand. Use these locks to keep the EasyStand stationary.
- The EasyStand Evolv meets EN12182:1999 (test standard) for strength, durability and tipping stability.
- Please contact Altimate Medical, Inc., for relevant clinical data and literature, strength, durability and test results as applicable.
- The EasyStand Evolv Electric Lift meets the requirements of IEC 60601-1 and 60601-1-2. (*Pow'r Up Lift Option Only*)
- Altimate Medical products are specifically designed to be used with Altimate Medical accessories and options. Unless otherwise noted, accessories and options from other manufacturers have not been tested by Altimate Medical and are not recommended for use with Altimate Medical products.
- Product Modifications made without express written consent (including, but not limited to, modification through the use of unauthorized parts or attachments) are not recommended and will void the product warranty.

 **Caution:** The EasyStand is constructed of materials that do not support combustion under normal conditions. For the safety of the patient and attending personnel, do not allow clutter or debris to be stored or accumulate on or around the equipment.

 **Caution:** This equipment is designed to accommodate a range of users; therefore the unit has various adjustment slots and holes. Avoid placing fingers or other body parts in any of these areas.

 **Caution:** While in use this equipment has various moving parts, familiarize yourself with the unit and avoid placing hands or fingers near any of these areas.

 **Caution:** Advise bystanders to keep clear of the unit while in use.

EasyStand® Glider® Assembly

Videos on EasyStand assembly & fitting can be viewed at easystand.com/videos

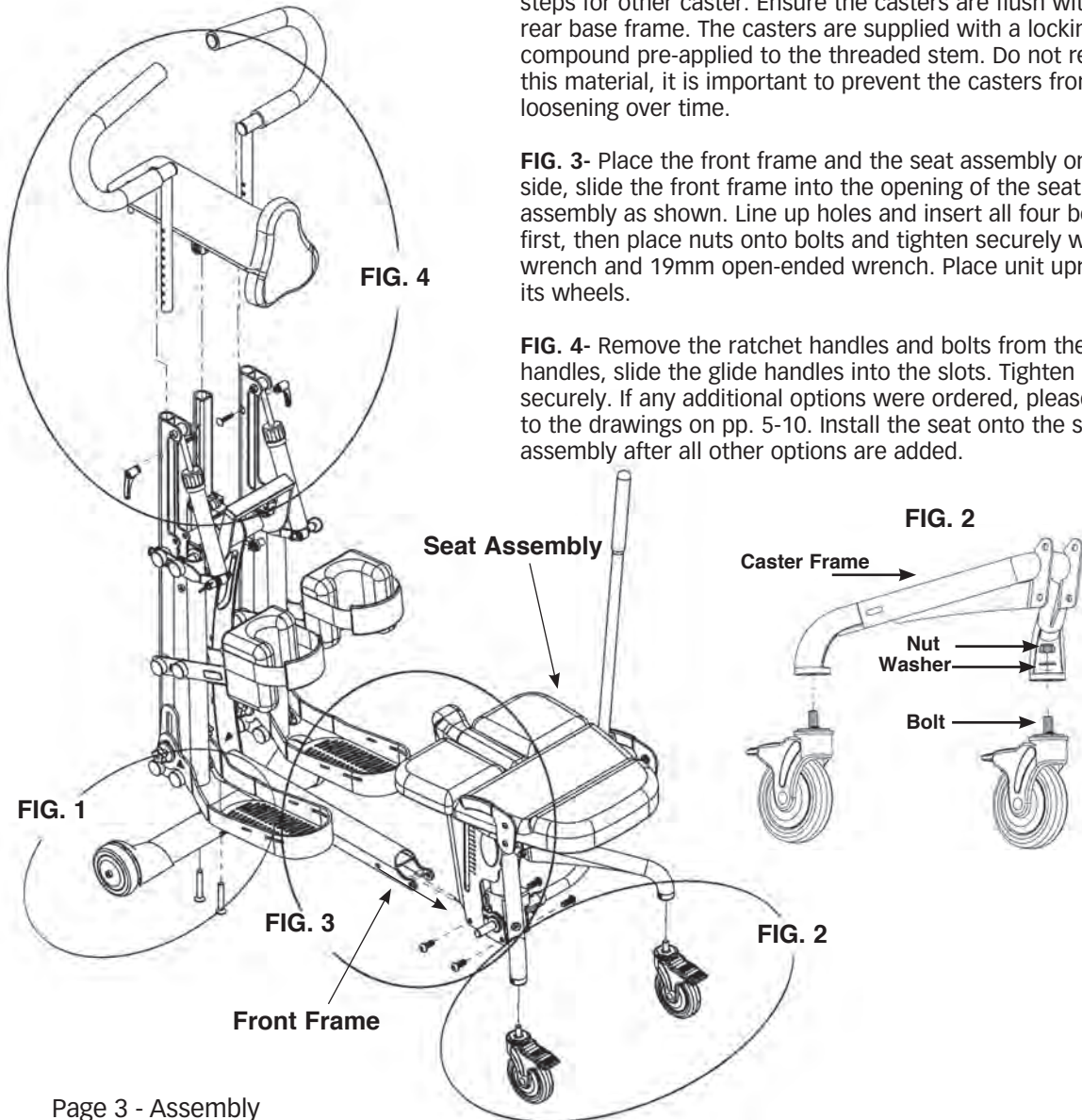
Use FIG. 1 - FIG. 3 for International orders only.

FIG. 1- Attach the front caster frame to the front frame with bolts and tighten securely. Laying your unit on the floor side ways may help with lining up the holes.

FIG. 2- Remove nut and washer from the bolt on the caster. Insert caster into rear caster frame as shown. Place washer onto bolt. Place nut onto bolt and tighten securely. Repeat steps for other caster. Ensure the casters are flush with the rear base frame. The casters are supplied with a locking compound pre-applied to the threaded stem. Do not remove this material, it is important to prevent the casters from loosening over time.

FIG. 3- Place the front frame and the seat assembly on its side, slide the front frame into the opening of the seat assembly as shown. Line up holes and insert all four bolts first, then place nuts onto bolts and tighten securely with hex wrench and 19mm open-ended wrench. Place unit upright on its wheels.

FIG. 4- Remove the ratchet handles and bolts from the glide handles, slide the glide handles into the slots. Tighten securely. If any additional options were ordered, please refer to the drawings on pp. 5-10. Install the seat onto the seat assembly after all other options are added.



Adjustments

FIG. 5



FIG. 6

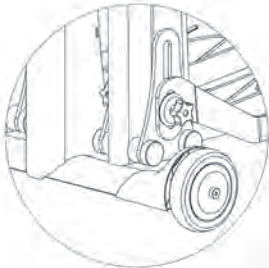


FIG. 7

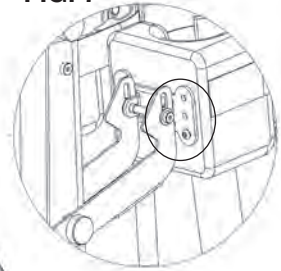


FIG. 8

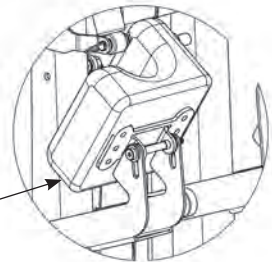


FIG. 5- To adjust the height of the glide handles, loosen ratchet clamps. Adjust the handles to the user's desired position and tighten the clamps securely.

The resistance cylinders are individually adjustable to provide twelve different resistance settings. Turn the cap of the cylinders to the desired resistance. The resistance cylinders can also be disconnected by disengaging the pull pin.

FIG. 6- Adjust the foot plates by loosening the two knobs on each foot plate (for easier access to the inside knob, swing the leg assembly forward), so the user's knees are centered in the knee pads and the femur is resting on the seat. Tighten securely.

⚠ Caution: Never reposition the foot plates while a user is in the standing position.

⚠ Caution: Avoid placing fingers in the adjustment slot.

FIG. 7- Often, proper fit can be achieved by adjusting the foot plate height. When necessary, the knee pads are independently adjustable with five adjustments. To adjust the knee pads, remove the bolts from the knee pads and adjust to the desired position. Replace the bolts and tighten securely.

FIG. 8- Before transferring, flip up the knee pads to allow easier access.

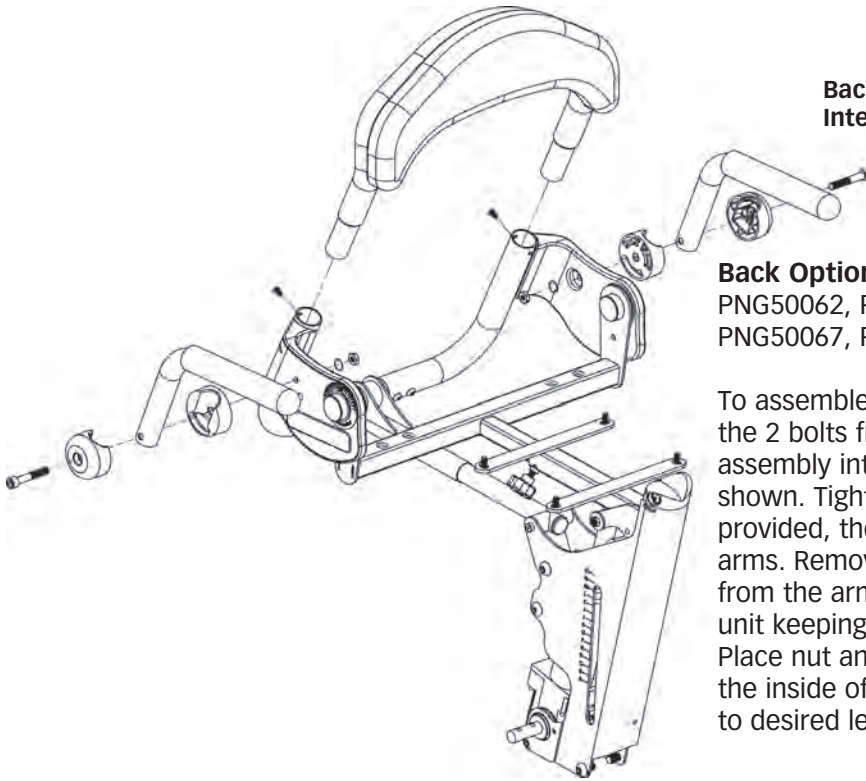
⚠ Caution: Never make adjustments to the EasyStand while a user is in the standing position.

⚠ Caution: While using the Glider, advise bystanders to keep hands and feet clear of the Glider mechanism.

⚠ Caution: While using the Glider, keep hands clear of the resistance cylinders' upper and lower mounting points.

Option Assembly

Back Option assembly for International orders only.



Back Option

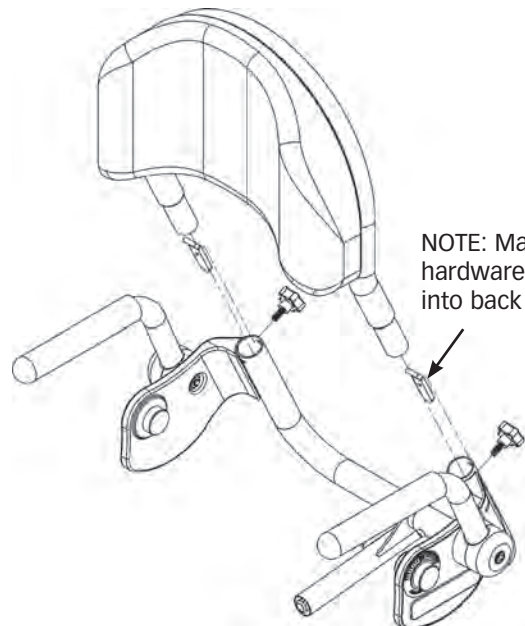
PNG50062, PNG50066,
PNG50067, PNG50068

To assemble the back option, remove the 2 bolts from the back, slide the back assembly into the seat assembly as shown. Tighten securely with bolts provided, then add the swing-away arms. Remove the nut and lock washer from the arm. Place the arm onto the unit keeping the arm assembly together. Place nut and lock washer onto bolt on the inside of the unit. Tighten securely to desired level of tension.

Removable Back Option

PNG50171, PNG50172,
PNG50173, PNG50174

To attach the Removable Back to the unit, slide the back assembly into the seat assembly as shown. Insert hardware into back tubes with tabs facing upward and toward the back. Tighten securely with knobs provided.



NOTE: Make sure hardware is placed into back as shown.

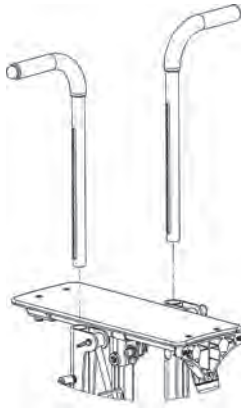
Glide Handles

Left Side-PNG10194
Right Side-PNG10196
(Large only)



Glide Handles

PNG10177
(Medium only)



Glide Handle Extensions

PNG50251
(Medium only)



Head Support-Short

21"-30"H
PNG50240

Head Support-Tall

25"-34"H
PNG50037

FIG A

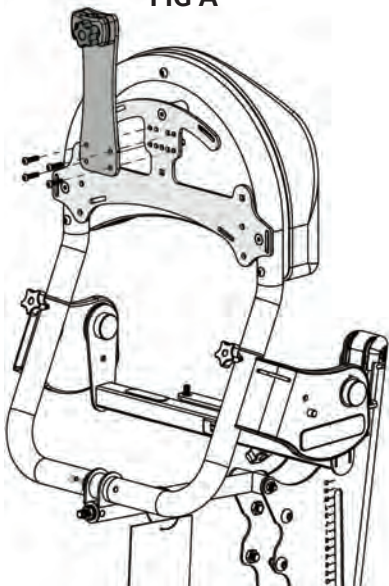
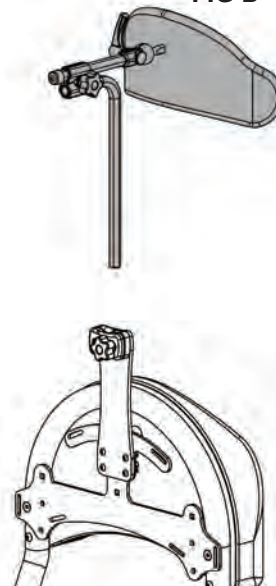


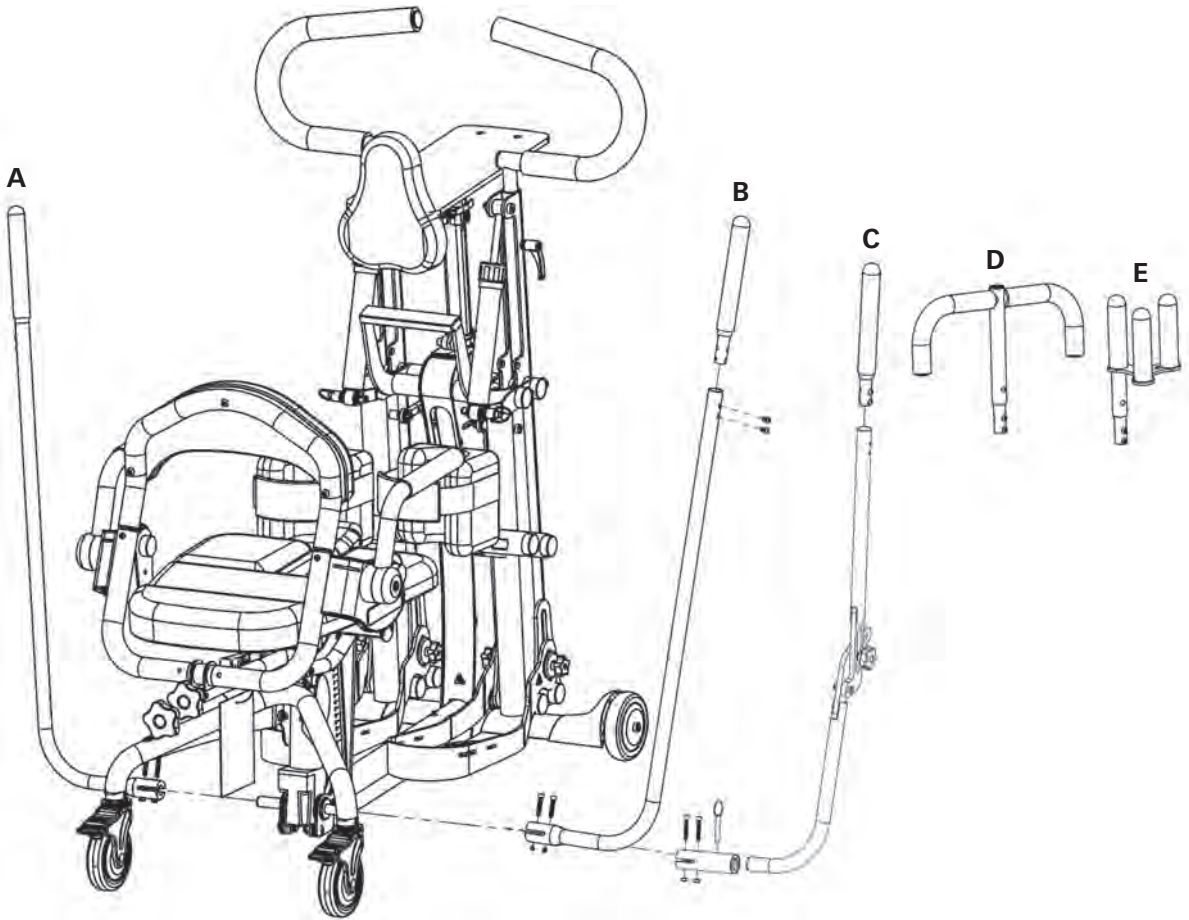
FIG B



If you ordered the high mount chest vest bracket see p. 9.

FIG A- Place head support bracket onto accessories mounting bracket as shown. Insert 4 bolts and nuts and tighten securely.

FIG B- Insert the head support onto the unit and tighten securely.



Remove the nuts and bolts from the pump handle. Insert the handle onto the pump. Line up holes and insert bolts, place nuts onto bolts. Tighten securely.

A
Standard
Actuator
Left Handle
 PNG50126

B
Standard
Actuator
Right Handle
 PNG50059

C
Adjustable/
Removable Handle
Universal Left/Right
 PNG50328

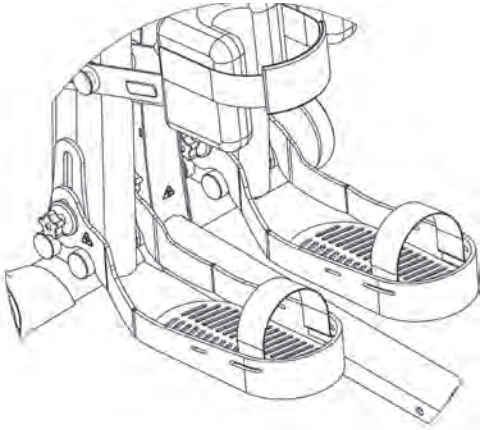
D
T-Style
Handle
Extension
 PNG50070

E
Quad Grip
Handle
Extension
 PNG50044

Foot Straps

PNG30030-15"L

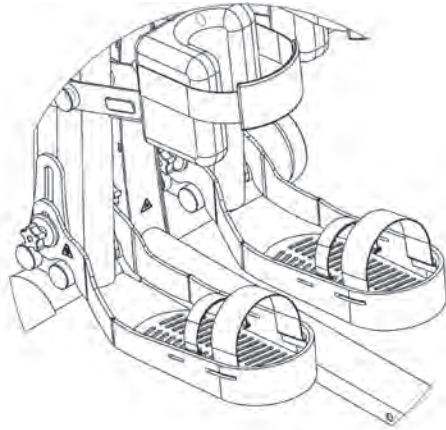
PNG50505-21"L



Secure Foot Straps

PNG30031-15"L

PNG50506-21"L

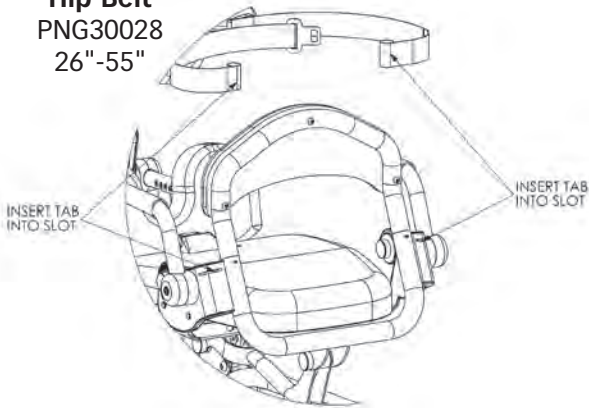


Airline Buckle

Hip Belt

PNG30028

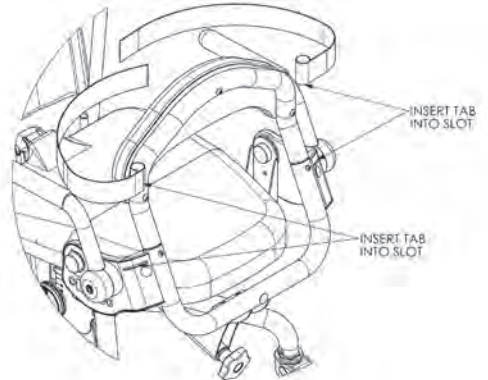
26"-55"



Velcro Hip Belt

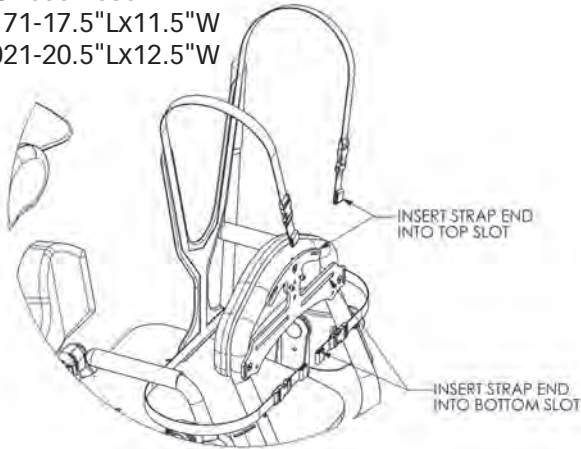
PNG30029-26"-55"

PNG30306-38"-67"



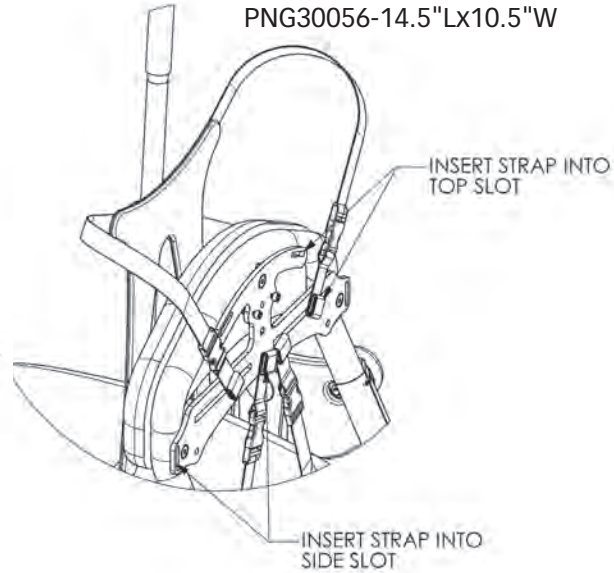
**Y-Style
Chest Vest**

PNG30171-17.5"Lx11.5"W
PNG30021-20.5"Lx12.5"W



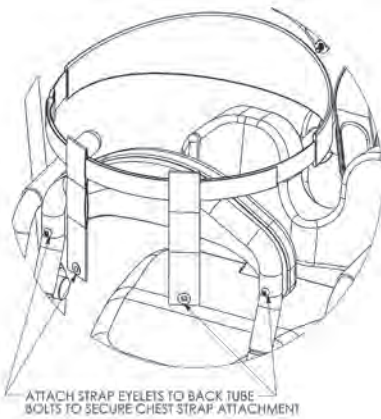
**X-Style
Chest Vest**

PNG30170-11"Lx9.5"W
PNG30056-14.5"Lx10.5"W



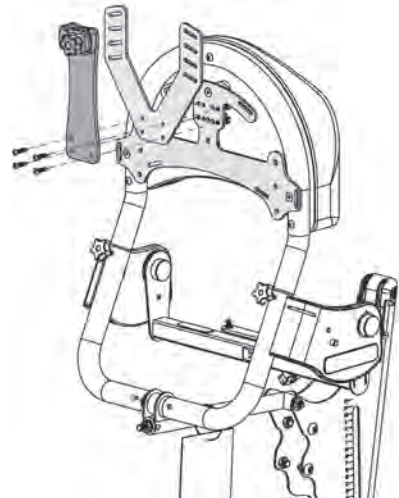
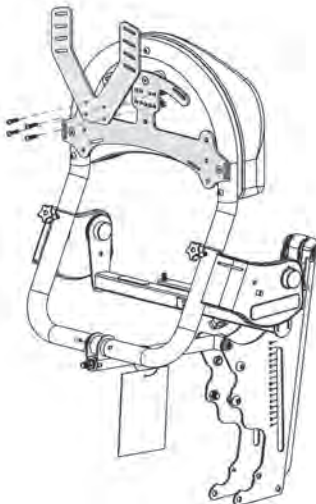
Chest Strap

PNG50192-30"-46"
PNG50193-34"-54"
PNG50504-46"-66"

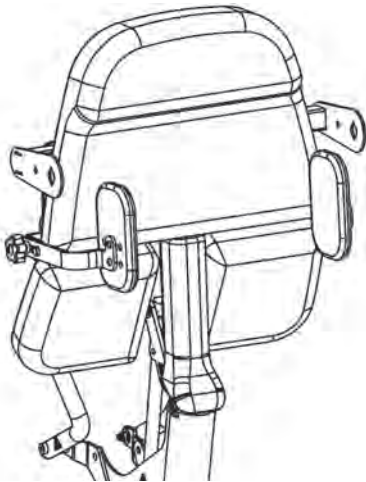


**High Mount Chest Vest Bracket
with Head Support Bracket**

**High Mount Chest
Vest Bracket**
PNG11212



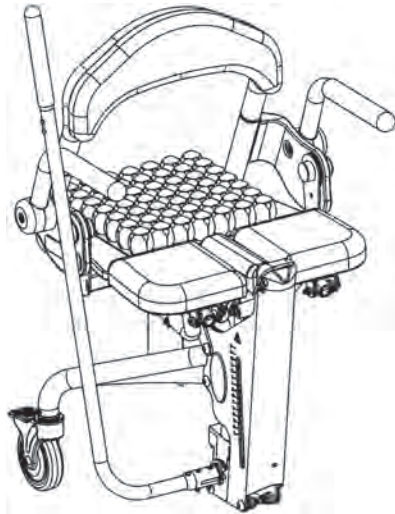
If you ordered the high mount chest vest bracket and head support, place the head support bracket and the high mount chest vest bracket on the unit as shown. Insert 4 bolts and nuts and tighten securely. See p. 6 for head support assembly.



Hip Supports

Glider Medium-PNG50345-9"-15" Range
PNG50374- 11"-17" Range
Glider Large-PNG50345-10"-15" Range
PNG50374- 12"-17" Range

Roho® Seat Glider Medium-PNG50351 Glider Large-PNG50353



Slide hip supports onto notch and knob under seat.
Tighten knob securely.

If adding hip supports off-unit, remove hole covers from top and bottom of the seat frame.

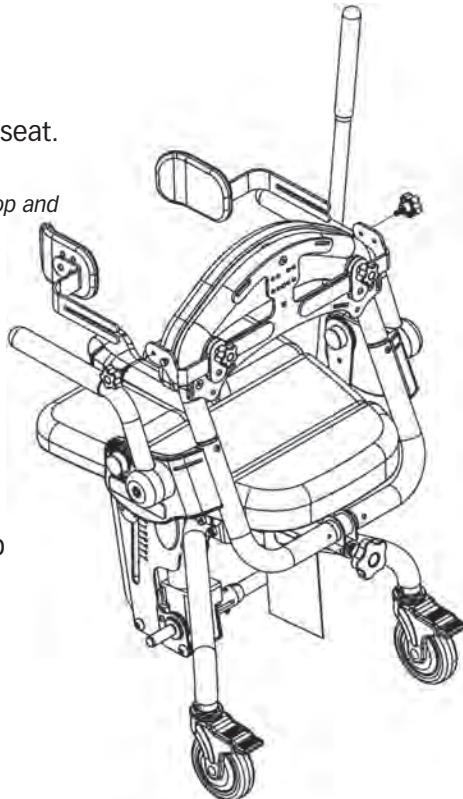
Lateral Supports

8"-16.5"W
PNG50224

Lateral Supports

11"-19.5"W
PNG50176

Slide each lateral support onto notch and knob
on the accessories mounting bracket. Tighten
knobs securely.



Pow'r Up Lift Option

Charging the Battery

The EasyStand Pow'r Up Lift uses two 12 volt sealed lead batteries rated at 2.9 amps each. An EasyStand can be lifted approximately 100 times on one full battery charge. An audible alarm will sound when the battery is low. Please charge the battery after the alarm sounds. A battery needing to be fully recharged will take approximately 8 hours. The EasyStand can be raised to the standing position while being charged. The function of the charger is to detect a full battery and then provide a constant potential power supply to hold the battery at a full condition without overcharging. When the battery EMF rises to a factory preset point, the charger circuit will not allow the peak output voltage to exceed that value. This factory setting protects a battery from excessive depletion of electrolyte, which can occur from overcharging. The charger can be found in the tool pouch on the back of the unit.

⚠ CAUTION: Use only the Linak charger, model number 10CH01S-00, provided by Altimate Medical with the Pow'r Up option.

1. Plug the receptacle into a wall outlet. The length of the charger cable is 80" (203cm). The light on the charger will be green indicating an open circuit.

2. **FIG. 9-** Plug the charger cord into the side of the hand control. The light on the charger will turn yellow indicating the batteries are being charged. The length of the hand pendant cable is 30" (76cm), retracted.

3. **FIG. 10-** The unit will arrive unplugged from the battery, plug in the white cord that supplies power to the actuator and the black cord that supplies power to the remote. The black cord has a notch on it to orient the connector properly. Fully charge battery before use.

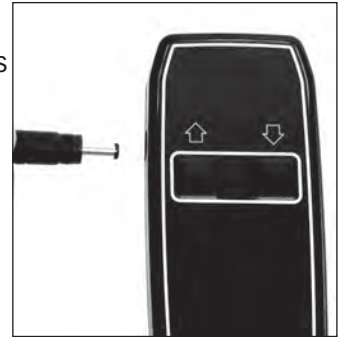
Note: The white cord has a rubber washer on it, which makes it very sticky and sometimes will not get pushed in completely, make sure to push the cord all the way into the battery.

4. When the batteries are charged, the light on the charger will turn green.

5. Fully charge the batteries every three months or less during periods of intermittent or non-use.

⚠ CAUTION: Ensure the cables are attached properly per the instructions for use. Do not allow the cables to drag on the floor or to catch on objects.

FIG. 9

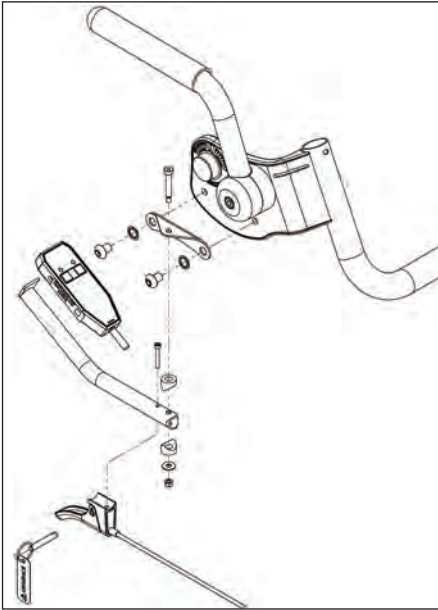


The hand pendant is a Type BF applied part.

FIG. 10



FIG. 11



Assembly of the Hand Control

FIG. 11- Assemble the hand control as illustrated.

⚠ CAUTION: The Pow'r Up Option is not designed for continuous use. Duty Cycle 5% Max, 1 min. / 19 min.

Raising the Lift - Press the UP (arrow up) button on the hand control to lift the seat.

Lowering the Lift - Press the DOWN (arrow down) button on the hand control to lower the seat.

Battery Replacement

The batteries are enclosed in the control box of the Pow'r Up Lift (the black box where the cords are plugged in). Once the batteries have reached the end of their life and need to be replaced, do not open the control box; please contact Altimate Medical Customer Service or your medical equipment dealer for information about purchasing a replacement control box. It is recommended that the batteries be replaced every four years.

Please contact your local recycling authority for information about disposing of the old batteries.

IP Rating

The IP rating is a classification system indicating the protection degree from dust, water and impact for electrical equipment and enclosures. Pow'r Up Lift components are rated at IP21. The definition for IP21 is as follows:

First character definition: 2 - Protected against solid foreign objects of 12.5mm diameter and greater.

Second character definition: 1 - Protected against vertically falling water drops.

Electromagnetic compatibility

Pow'r Up Option components have been designed and tested to meet the applicable EMC requirements. Problems with the EasyStand due to inadequate electromagnetic compatibility is unlikely, however, if any unusual (such as intermittent) behavior of the Pow'r Up option and the EasyStand is noticed and it is being used next to possible interfering equipment such as mobile phones, microwaves, or radio broadcast masts, this could be an indication of electromagnetic interference. If such behavior occurs, use the mechanical release to lower the unit to the seated position and move the EasyStand away from the interfering equipment. Please report any instance of possible electromagnetic interference to AMI's Customer Service Department.

Guidance and Manufacturer's Declaration - Electromagnetic Emissions

The EasyStand Glider is intended for use in the electromagnetic environment specified below. The customer or the user of the EasyStand Glider should assure that it is used in such an environment.

Emissions Test	Compliance	Electromagnetic Environment - Guidance
RF emissions CISPR 11	Group 1	The EasyStand Glider uses RF energy only for its internal function. Therefore, its RF emissions are very low and are not likely to cause any interference in nearby electronic equipment. The EasyStand Glider is suitable for use in all establishments, including domestic establishments and those directly connected to the public low-voltage power supply network that supplies buildings used for domestic purposes.
RF emissions CISPR 11	Class B	
Harmonic emissions IEC 61000-3-2	Class A	
Voltage fluctuations/ Flicker emissions IEC 61000-3-3	Complies	

Guidance and Manufacturer's Declaration - Electromagnetic Immunity


The EasyStand Glider is intended for use in the electromagnetic environment specified below. The customer or the user of the EasyStand Glider should assure that it is used in such an environment.

Immunity Test	IEC 60601 Test Level	Compliance Level	Electromagnetic Environment - Guidance
Electrostatic Discharge (ESD) IEC 61000-4-2	± 6 kV contact ± 8 kV air	± 6 kV contact ± 8 kV air	Floors should be wood, concrete, or ceramic tile. If floors are covered with synthetic material, the relative humidity should be at least 30 %.
Electrical Fast Transient/Burst IEC 61000-4-4	± 2 kV for power supply lines ± 1 kV for input/output lines	± 2 kV for power supply lines ± 1 kV for input/output lines	Mains power quality should be that of a typical commercial or hospital environment.
Surge IEC 61000-4-5	± 1 kV line(s) to line(s) ± 2 kV line(s) to earth	± 1 kV line(s) to line(s) ± 2 kV line(s) to earth	Mains power quality should be that of a typical commercial or hospital environment.
Voltage dips, short interruptions and voltage variations on power supply input lines IEC 61000-4-11	<5 % U_T (>95 % dip in U_T) for 0,5 cycle 40 % U_T (60 % dip in U_T) for 5 cycles 70 % U_T (30 % dip in U_T) for 25 cycles <5 % U_T (>95 % dip in U_T) for 5 s	<5 % U_T (>95 % dip in U_T) for 0,5 cycle 40 % U_T (60 % dip in U_T) for 5 cycles 70 % U_T (30 % dip in U_T) for 25 cycles <5 % U_T (>95 % dip in U_T) for 5 s	Mains power quality should be that of a typical commercial or hospital environment. If the user of the EasyStand Glider requires continued operation during power mains interruptions, it is recommended that the EasyStand Glider be powered from an uninterruptible power supply or a battery.
Power frequency (50/60 Hz) magnetic field IEC 61000-4-8	3 A/m	3 A/m	Power frequency magnetic fields should be at levels characteristic of a typical location in a typical commercial or hospital environment.

NOTE: U_T is the a.c. mains voltage prior to application of the test level.

Guidance and Manufacturer's Declaration - Electromagnetic Immunity

The EasyStand Glider is intended for use in the electromagnetic environment specified below. The customer or the user of the EasyStand Glider should assure that it is used in such an environment.

Immunity Test	IEC 60601 Test Level	Compliance Level	Electromagnetic Environment - Guidance
<p>Conducted RF IEC 61000-4-6</p> <p>Radiated RF IEC 61000-4-3</p>	<p>3 Vrms 150 kHz to 80 MHz</p> <p>3 V/m 80 MHz to 2.5 GHz</p>	<p>3 Vrms</p> <p>3 V/m</p>	<p>Portable and mobile RF communications equipment should be used no closer to any part of the EasyStand Glider, including cables, than the recommended separation distance calculated from the equation applicable to the frequency of the transmitter.</p> <p>Recommended separation distance</p> $d = 1.2 \sqrt{P}$ <p>$d = 1.2 \sqrt{P}$ 80 MHz to 800 MHz</p> <p>$d = 2.3 \sqrt{P}$ 800 MHz to 2.5 GHz</p> <p>Where P is the maximum output power rating of the transmitter in watts (W) according to the transmitter manufacturer and d is the recommended separation distance in meters (m).</p> <p>Field strengths from fixed RF transmitters, as determined by an electromagnetic site survey^a, should be less than the compliance level in each frequency range.^b</p> <p>Interference may occur in the vicinity of equipment marked with the following symbol:</p> <div style="text-align: center;">  </div>

NOTE 1: At 80 MHz and 800 MHz, the higher frequency range applies.

NOTE 2: These guidelines may not apply in all situations. Electromagnetic propagation is affected by absorption and reflection from structures, objects, and people.

^a Field strengths from fixed transmitters, such as base stations for radio (cellular/cordless) telephones and land mobile radios, amateur radio, AM and FM radio broadcast and TV broadcast cannot be predicted theoretically with accuracy. To assess the electromagnetic environment due to fixed RF transmitters, an electromagnetic site survey should be considered. If the measured field strength in the location in which the EasyStand Glider is used exceeds the applicable RF compliance level above, the EasyStand Glider should be observed to verify normal operation. If abnormal performance is observed, additional measures may be necessary, such as re-orienting or relocating the EasyStand Glider.

^b Over the frequency range 150 kHz to 80 MHz, field strengths should be less than 3 V/m.

Recommended separation distances between portable and mobile RF communications equipment and the EasyStand Glider

The EasyStand Glider is intended for use in an electromagnetic environment in which radiated RF disturbances are controlled. The customer or the user of the EasyStand Glider can help prevent electromagnetic interference by maintaining a minimum distance between portable and mobile RF communications equipment (transmitters) and the EasyStand Glider as recommended below, according to the maximum output power of the communications equipment.

Rated maximum output power of transmitter W	Separation distance according to frequency of transmitter m		
	150 kHz to 80 MHz $d = 1.2 \sqrt{P}$	80 MHz to 800 MHz $d = 1.2 \sqrt{P}$	800 MHz to 2.5 GHz $d = 2.3 \sqrt{P}$
0.01	.12	.12	.23
0.1	.38	.38	.73
1	1.2	1.2	2.3
10	3.8	3.8	7.3
100	12	12	23

For transmitters rated at a maximum output power not listed above, the recommended separation distance d in meters (m) can be estimated using the equation applicable to the frequency of the transmitter, where P is the maximum output power rating of the transmitter in watts (W) according to the transmitter manufacturer.

NOTE 1: At 80 MHz and 800 MHz, the higher frequency range applies.

NOTE 2: These guidelines may not apply in all situations. Electromagnetic propagation is affected by absorption and reflection from structures, objects, and people.

FIG. 12



Activating the Mechanical Emergency Release

All Altimate Medical electric lift products are equipped with a mechanical release to be used in emergency situations.

⚠ CAUTION: Using the emergency mechanical release as the primary means to return to the seated position can cause damage to the unit. Only use the mechanical release in emergency situations.

FIG. 12- The release allows the user to be lowered to a seated position in the unlikely occurrence of the battery losing charge while the user is in a standing position. The actuator only retracts if the release is pulled and there is weight on the seat. The release is located on the left side of the seat and is signified by a red tag with the word "EMERGENCY."

1. To activate the emergency mechanical release pull out the quick release pin located on the left side of the seat.
2. Squeeze the handle and if necessary, push down on the seat.

Adjusting Your Glider®

Seat Depth/Back Angle

Caution: These adjustments are only to be made while the unit is in the seated position.

FIG. 13- Loosen the knob on the seat tube located under the seat. Do not unscrew seat depth knob all the way when adjusting the seat.

Depress the spring button and position the back so that the hip pivot is located as close as possible to the user's hips. Tighten the seat depth knob securely.

Note: Adjust back angle after each seat depth position change.

FIG. 14- To adjust the back angle, use the knob located on the following arm. Before standing, the back angle must be set so the indicator on the side of the unit is in the green.

FIG. 15- The back/seat angle locator is located on the side of the unit. When the unit is in the seated position, the green area indicates the back angle. Before standing, the indicator must be in the green.

Caution: Before standing, the seat/back angle indicator must be in the green. Failure to set the back angle in green prior to standing could cause the unit to lock in a standing position, causing damage to your unit.

Tray/Front Pad

FIG. 16- To adjust the height of the tray/front pad, loosen the clamp located just above the front column. Lift the tray to the user's desired height level and tighten the clamp.

To adjust the depth of the tray/front pad, loosen the clamp located just below the tray. Move the front pad to the user's desired position and tighten the clamp.

Caution: While lowering the tray height, keep hands clear of the area underneath the tray.

FIG. 13



FIG. 14



Green Area

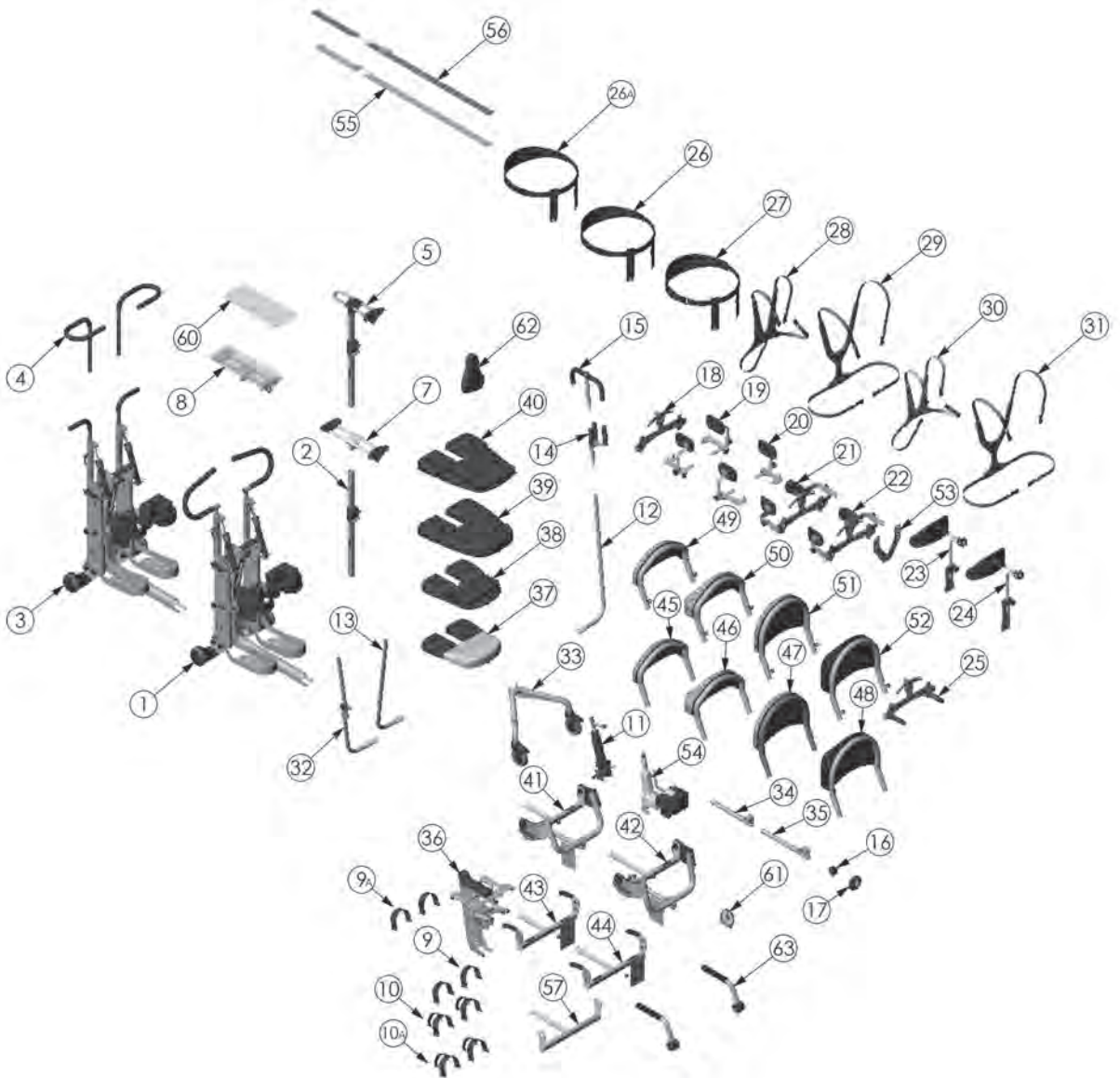
FIG. 15



FIG. 16



Glider® Options & Parts Detail



ITEM NO.	PART NO.	REV	QTY.	NAME
1	NG50024	I	1	NEW GENERATION GLIDER ASSEMBLY
2	NG50309	B	1	TABLE POST ASSEMBLY
3	NG50187	H	1	NEW GENERATION YOUTH GLIDER
4	NG50251	000	1	HANDLE ADJ U-SHAPE YOUTH
5	NG50295	C	1	ASMBLY NO-TABLE OPTION
6	NG50331	B	1	ASSEMBLY ADJUSTABLE PAD BRACKET
7	NG50341	D	1	TABLE SLIDE ASSEMBLY
8	NG50370	B	1	TABLE EVOLV GLIDER
9	ng30030	000	1	STRAPS FOOT OPTION
9A	ng50505	000	1	STRAPS FOOT OPTION
10	NG30031	A	1	STRAPS SECURE FOOT OPTION
10A	NG50506	A	1	STRAPS SECURE FOOT OPTION
11	NG50009	B	1	PUMP HYDRAULIC ASSEMBLY LARGE
12	NG50059	C	1	HANDLE PUMP STANDARD RT
13	NG50126	C	1	HANDLE PUMP STANDARD LH
14	NG50044	A	1	QUAD GRIP OPTION
15	NG50070	000	1	ACTUATOR HANDLE EXTENSION EVOLV LG
16	NG20122	A	1	KNOB FEMALE M12 X 1.75
17	600002	000	1	WHEEL 100mm W/FOLD AWAY HANDLE
18	NG50034	C	1	BRACKET ACCESSORY LG
19	NG50161	F	1	HIP GUIDE ASSEMBLY MEDIUM
20	NG50198	G	1	HIP GUIDE ASSEMBLY LARGE
21	NG50224	E	1	LATERAL SUPPORT ASSEMBLY MEDIUM
22	NG50176	E	1	LATERAL SUPPORT ASSEMBLY
23	NG50240	B	1	HEAD REST ASSEMBLY MED
24	NG50037	C	1	HEAD REST ASSEMBLY LG (V915)
25	NG50040	000	1	HANDLE PUSH ASSEMBLY
26A	NG50504	000	1	STRAPCHEST RESTRAINT
26	NG50192	000	1	STRAP SMALL CHEST RESTRAINT (V904)
27	NG50193	000	1	STRAP LARGE CHEST RESTRAINT (V901)
28	NG30056	A	1	LARGE CHEST VEST EVOLV
29	NG30021	000	1	VEST CHEST Y SHAPE ASSEMBLY LARGE
30	NG30170	A	1	X-STYLE CHEST VEST MEDIUM
31	NG30171	000	1	Y-STYLE CHEST VEST MEDIUM
32	NG50328	G	1	HANDLE PUMP REMOVEABLE/ADJ
33	NG50058	B	1	SEAT REAR CASTER TUBE
34	NG50436	A	1	ASMBLY FOLLOWING ARM YOUTH
35	NG50437	000	1	ASMBLY FOLLOWING ARM ADULT
36	NG50378	J	1	ASMBLY SEAT LIFT GLIDER
37	NG50350	C	1	GLIDER SEAT ASMBLY YOUTH
38	NG50351	C	1	GLIDER SEAT ASMBLY YOUTH ROHO
39	NG50352	C	1	GLIDER SEAT ASMBLY ADULT
40	NG50353	C	1	GLIDER SEAT ASMBLY ADULT ROHO
41	NG50441	E	1	ASMBLY BACK REST YOUTH
42	NG50442	E	1	ASMBLY BACK REST ADULT
43	NG50444	C	1	ASMBLY EVOLV NO BACK YOUTH
44	NG50445	C	1	ASMBLY EVOLV NO BACK ADULT
45	NG50066	F	1	BACK LOW FLAT
46	NG50062	F	1	BACK LOW W/CONTOUR (V908)
47	NG50067	G	1	BACK HIGH FLAT(V909)
48	NG50068	G	1	BACK HIGH W/CONTOUR (V910)
49	NG50171	F	1	BACK REMOVABLE LOW FLAT
50	NG50172	F	1	BACK REMOVABLE LOW CONTOURED
51	NG50173	F	1	BACK REMOVABLE HIGH FLAT
52	NG50174	F	1	BACK REMOVABLE HIGH CONTOURED
53	NG11212	A	1	HIGH MOUNT CHEST VEST BRACKET
54	NG50010	G	1	POW'R UP LIFT EVOLV
55	NG30029	000	1	STRAP SEAT BELT NG ADULT
56	NG30028	000	1	STRAP SEAT BELT W/BUCKLE NG ADULT
57	NG50499	000	1	ASSEMBLY BEARING SEAT DEPTH
60	NG20019	000	1	TABLE GLIDER
61	80246	000	1	SEAT ANGLE LOCATOR
62	NG30002	01	1	CHEST PAD NG GLIDER
63	NG50450	000	1	ARM REST ASSEMBLY EVOLV

Perfect Fit Guide

step one - measure

Before transferring into the Glider, measure for approximate (A) seat depth and seat to (B) foot plate settings.

⚠ Caution: These adjustments are only to be made while the unit is unoccupied.

step two - seat depth

To adjust seat depth, loosen the knob under the seat (C). Use measurement (A) and measure from the inside of the knee pad to the back. Depress the snap button on the adjustment tube while moving the back (D). Adjust the seat depth until the proper measurement has been reached. Tighten the knob (C) after adjusting.

⚠ Caution: The following adjustments are only to be made in the seated position.

step three - back angle

After achieving the desired seat depth, rotate the back angle (E) adjustment knob so the (F) seat/back angle indicator on the side of the unit is in the green area prior to standing.

Note: Repeat steps 2 and 3 for each color adjustment.

step four - foot plates

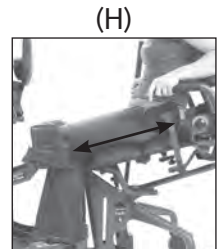
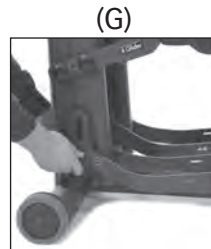
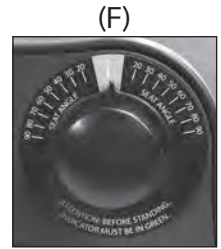
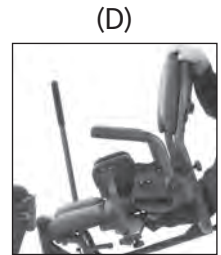
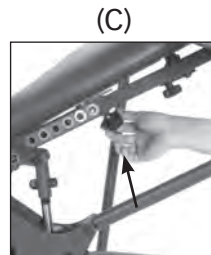
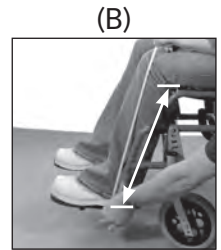
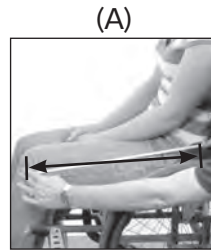
Use the (B) measurement to adjust the foot plate height. Loosen the (G) knobs on the foot plates to adjust height. Tighten the knobs after positioning. The knees should be slightly lower than the hip (H).

step five - positioning

Position the user's hips as close as possible to (I) Glider's hip pivot.

step six - knee pad

Slide into knee pads (J) and secure the calf straps behind the knees.



Inspect your standing frame periodically to ensure it is in safe operating condition.

Transferring

For certain individuals, transferring can be a difficult task, especially at first. Like many things, transferring gets easier with practice. With assisted transfers, it is always a good idea to review the transfer strategy with the client before transferring, and talk them through the steps as they are happening. This will help reduce anxiety for the person being transferred. There are many different methods of transferring into the EasyStand Glider, whether the transfer is independent or with assistance. There are also a variety of features on the Glider to help make transferring more manageable. For proper transfer techniques, please seek professional advice from a [therapist or physician](#).

⚠ Caution: Always lock wheel locks on a wheelchair and the casters on the EasyStand Glider before transferring.

Transfer Methods



Independent Transfer: For those individuals who are able to transfer independently, Altimate Medical has designed the Glider base so a wheelchair can be positioned at any angle from parallel to 90 degrees against the edge of the Glider seat (the front wheelchair caster can even come underneath the front corner of the seat). The knee pads flip up and out of the way to give the person room to bring their legs in and position their feet. The knee pad does not lock in the upright position when transferring, do not grab the knee pad for support. When transferring out of the EasyStand, pump the seat up so it is equal to or higher than the seat the user is transferring into.



Stand Pivot Transfer: A caregiver can assist a patient into the stander using a stand pivot transfer. The caregiver helping with the stand pivot transfer assists the person out of their wheelchair to standing, then turns or pivots and sits the person down on the seat of the stander.




Patient Lift Transfer: Caregivers can assist people who have a higher level of disability by using a patient lift device, or an overhead ceiling lift to transfer into the EasyStand. The rear legs of the EasyStand Glider are designed to allow room for the lifting device to be used from many different angles. To make the transfer from a patient lift device, recline the back of the standing frame slightly. With some patient lift devices it may make the transfer easier to lift the Glider foot plates up to a higher position, allowing the transfer device to slide closer to the base of the Glider. Be sure to reposition the foot plates and back prior to standing.

Standing

Contraindications


Standing/weight bearing may not be an option for the following reasons:


- If the user has severe contractures or range of motion issues
- If the user has severe osteoporosis or brittle bone disease
- If the user has postural orthostatic hypotension
- If the user has dislocated joints

 **Caution:** Consumers considering a standing program should consult with a qualified physician and medical team to determine what indications or contraindications exist. Clinicians must use best clinical judgment to evaluate the user's needs.

Implementing a standing program must be determined on an individual basis by the user's team (Physician, Physical or Occupational Therapist, Rehab Technology Professional/Supplier and the consumer). Consider all indications and contraindications for each client individually to determine if standing/weight bearing is appropriate for them.

To Stand

 **Caution:** Always consult with a physician or therapist before starting a standing program.


 **Caution:** Before standing, the seat/back angle indicator must be in green. Failure to set the back angle in green prior to standing could cause the unit to lock in a standing position, causing damage to the unit. Do not use the seat angle dial indicator as a reference while in the standing position. **It is only to be used as a guide while adjusting the seat depth and back angle in the seated position.**

Position feet, the knee support, and secure any straps or side supports. Push the pump handle forward with 15-25 long strokes. The seat will slowly rise to the standing position. Remember the seat can be stopped anywhere between sitting and standing.

 **Caution:** Never make adjustments to the EasyStand while a user is in the standing position.

Return to the Seated Position

Move and hold the pump handle toward the rear until the desired position is reached. The seat will slowly lower until the handle is released. If difficulty lowering the seat occurs, apply less or more pressure to the handle. If the unit is in the standing position and unoccupied, apply moderate pressure to the seat of the unit while holding the pump handle back. Do not use excessive force.

 **Caution:** When lowering the unit from standing to sitting, keep all hands and feet clear of the mechanism beneath the seat.

Maintenance

- Check the EasyStand at least weekly to ensure all nuts, bolts and adjustable parts are tightened securely, failure to do so may result in parts falling off which may cause a choking hazard for children.

Cleaning/Disinfecting

- Clean the EasyStand Glider with a mild, non-abrasive disinfectant or soap and water.
- Do not use bleach or any other bleach-based cleaners on the EasyStand.
- Disinfecting wipes are safe to use on metal and non-porous surfaces.
- Use a damp sponge with mild soap or a mild, non-abrasive disinfectant.
- Spot clean Neoprene with mild soap and water.
- Neoprene covers may be removed and hand washed with water. Air dry the covers. Always use care when removing and replacing the covers.
- Do not dry clean any upholstery items.
- If the EasyStand is being used with one user, clean the EasyStand on a monthly basis or as needed
- If the EasyStand is being used in a multiple user environment, the EasyStand should be cleaned after each use.

Urethane Coated Fabrics (Dartex or generic equivalent)

- The recommended cleaning and disinfection instructions should be followed whenever possible to avoid damage to the PU membrane which could lead to premature failure of the cover.
- For superficial dirt, use a disposable wipe and a warm solution of neutral detergent. Do not use abrasive cleaners.
- Disinfect using a 0.1% sodium hypochlorite solution (1000ppm chlorine), stronger bleach solutions not recommended.
- Thoroughly rinse any remaining cleaning solution with water and dry fabric before re-use or storage.
- Do not iron.

Hydraulic Actuator Maintenance

- An initial break-in period of approximately 50-100 full cycles is normal for the hydraulic unit. The very close fit of its mating parts gives each pump its own break-in "feel" and signature sound, signaled by a squeaking or a less-than-smooth stroke.
- If the pump is leaking oil or not holding properly contact your local EasyStand Supplier for a replacement. The serial number on the EasyStand will be needed
- Do not exert excessive force on the pump handle or use the pump handle to move an EasyStand. This may cause damage to the pump handle and/or the pump mechanism and will void any warranty.
- User maintenance is not required or recommended on the hydraulic pump. Never apply lubricant, household oil, grease, or a similar product to any part of the unit. Some compounds may react with the seals used in the manufacture of this product. This may damage the unit and will void any warranty.
- Do not exceed the rated weight limit.
- If the EasyStand was shipped and exposed to a temperature of less than 50 degrees Fahrenheit, the hydraulic unit must warm to room temperature before use. Failure to follow this step could damage the unit and render it inoperable.
- Once the standing position is reached, the pump may settle back one stroke, this is normal.
- It is not always necessary to push the pump handle all the way back to lower the seat. Try pushing the handle back in different positions if it is difficult to lower the seat.
- If the unit is in the standing position and unoccupied, it is necessary to apply pressure to the seat of the unit while pushing the pump handle back.

Purging The Hydraulic Actuator

The hydraulic pump on the EasyStand has a high probability of getting air trapped in the internal workings of the unit. This is usually caused by in-transit handling and is quite normal. Please follow the simple steps below, as manual hydraulic systems may never operate properly unless the entrapped air is correctly purged. The unit must be at room temperature for this procedure.

1. Pump the handle until the full extension is reached.
2. Now continue pumping the handle slowly for an additional 10 strokes. This will properly purge the system.

Troubleshooting

My EasyStand will not go into the full standing position:

As of June 2011 the EasyStand (manual hydraulic pump only) is equipped with a safety feature to prevent over travel of the lifting/following arm mechanism in the event the back angle is improperly adjusted to exceed the recommended angle. The unit will not reach full standing unless the back angle is adjusted within the green range at the seated position. Refer to page 16 for proper instructions.

My EasyStand will not release properly from standing to the seated position:

- Try pushing the handle back into different positions; do not push the pump handle back hard into one position.
- Weight on the seat is needed for the unit to descend properly; if the unit is unoccupied or the user is leaning forward and not enough weight is distributed on the seat, apply pressure by hand to the back of the seat while pushing back on the pump handle.
- Ensure the back angle is adjusted properly, if the back angle is too far forward or back the unit may not descend properly. Adjust the back angle toward 90 degrees so it will release properly.

My hydraulic does not work smoothly, it is not leaking oil but acting inconsistent:

With the unit unoccupied, pump it all the way to standing. Once the seat is in the standing position, pump 12 to 15 additional strokes to bleed any air out and circulate fluid. Pull back on the pump handle to return the seat to a seated position, one may apply pressure with a hand to the back of the seat while pushing back on the pump handle. In most cases purging the hydraulic pump will eliminate inconsistent operation.

My Glider seat won't go all the way down to the seated position:

Look closely at the four main frame bolts that attach the front end to back end. Most commonly the kidney shaped pump mount brackets are not secured correctly. They are positioned above the frame bolts with an exposed hole where the bolts should go through. This angles/raises the pump and won't allow the unit to go to the complete seated position. Remove main bolts and make sure they go through both the front frame, the back frame and the pump mount brackets.

Glider Pow'r Up Lift:

Make sure the cords are fully seated in the battery box. The grommet ring on the cords make it a very tight fit. Unplug the cords and plug them back in, pushing hard.

How can I tell if I have an Glider medium or large:

Measure the seat. Front to Back: Large is 22"; Medium is 18"

How do I order parts:

Contact a local supplier and have the serial number ready. If the local supplier is unknown, call Altimate Medical Customer Service, (800) 342-8968, and have the serial number ready.

Limited Warranty

This warranty is extended only to the original purchaser/customer (or supplier/non-consumer who does not buy or resell). Altimate Medical, Inc., warrants the EasyStand against defects in materials and workmanship as listed below.

- Steel Frames - 5 year warranty
- Hydraulic Actuator - 2 year warranty
- Upholstered components, plastic pads, rubber parts, painted surfaces, bearings and other parts not specifically identified above - 90 day warranty

Warranty on Electric lift option components is as follows:

- Actuator & Hand Pendant – 2 year warranty
- Control Box & Battery – 90 days
- Battery Charger – 90 days

The warranty period commences on the original ship date from Altimate Medical. Any product proven to Altimate Medical satisfaction to be defective and within warranty period, shall be repaired or replaced at Altimate Medical's option.

ALTIMATE MEDICAL SOLE OBLIGATION AND YOUR EXCLUSIVE REMEDY UNDER THIS WARRANTY SHALL BE LIMITED TO SUCH REPAIR AND/OR REPLACEMENT. This warranty does not include any labor charges incurred in replacement parts installation. Freight charges to factory are at the expense of consumer to seller. Return freight charges will be prepaid by Altimate Medical. For warranty service, please contact the authorized supplier from whom you purchased your Altimate Medical product. In the event you do not receive satisfactory warranty service, please write directly to Altimate Medical at the address below. Do not return products to our factory without prior authorization.

LIMITATIONS AND EXCLUSIONS: The foregoing warranty shall not apply to serial numbered products if the serial number has been removed or defaced. Products subject to negligence, abuse, misuse, improper operation, improper maintenance, improper storage, or damages beyond Altimate Medical's control are not covered by this warranty, and that evaluation will be solely determined by Altimate Medical. Products modified without Altimate Medical's express written consent (including, but not limited to, modification through the use of unauthorized parts or attachments) are not covered by this warranty. The warranty shall not apply to problems arising from normal wear or failure to follow instructions. The warranty will be void if parts not manufactured by Altimate Medical or parts not complying with original equipment specifications are added to an Altimate Medical product.

THE FOREGOING WARRANTY IS EXCLUSIVE AND IN LIEU OF ALL OTHER EXPRESS WARRANTIES. ALTIMATE MEDICAL SHALL NOT BE LIABLE FOR ANY CONSEQUENTIAL OR INCIDENTAL DAMAGES WHATSOEVER.

Altimate Medical maintains a policy of continual product improvement and reserves the right to change features, specifications, and prices without prior notification. Check with Altimate Medical for latest information.

Altimate Medical, Inc., 262 W. 1st St., Morton, MN 56270 USA
Phone: 507•697•6393 Fax: 507•697•6900 800•342•8968
easystand.com info@easystand.com

Environmental Issues

After life of the product:

- Recycle in accordance with the recycling codes of your country.
- Recycle all metal parts.
- Plastic parts should be disposed of or recycled according to the directive in your country.
- Please inquire at your local disposal management and recycling center for local codes.
- Return hydraulic actuator or damping cylinder (Pow'r Up only) to Altimate Medical, Inc.



AltimateMedical

EasyStand 

262 West 1st St.

Morton, MN 56270 USA

Toll Free: 800.342.8968 or 507.697.6393

Fax Free: 877.342.8968 or 507.697.6900

email: info@easystand.com

easystand.com

EasyStand  [®] 
standing made easy



Standing technology should only be used under the guidance of a physician with recommendations for standing program protocol and any medical precautions. Standing programs should be monitored by the attending therapist. Altimate Medical maintains a policy of continual product improvement and reserves the right to change features, specifications, and prices without prior notification. Check with Altimate Medical for latest information. FORM MANGLED 032918 REV C Copyright © 2018 Altimate Medical, Inc. All rights reserved. Printed in the U.S.A.