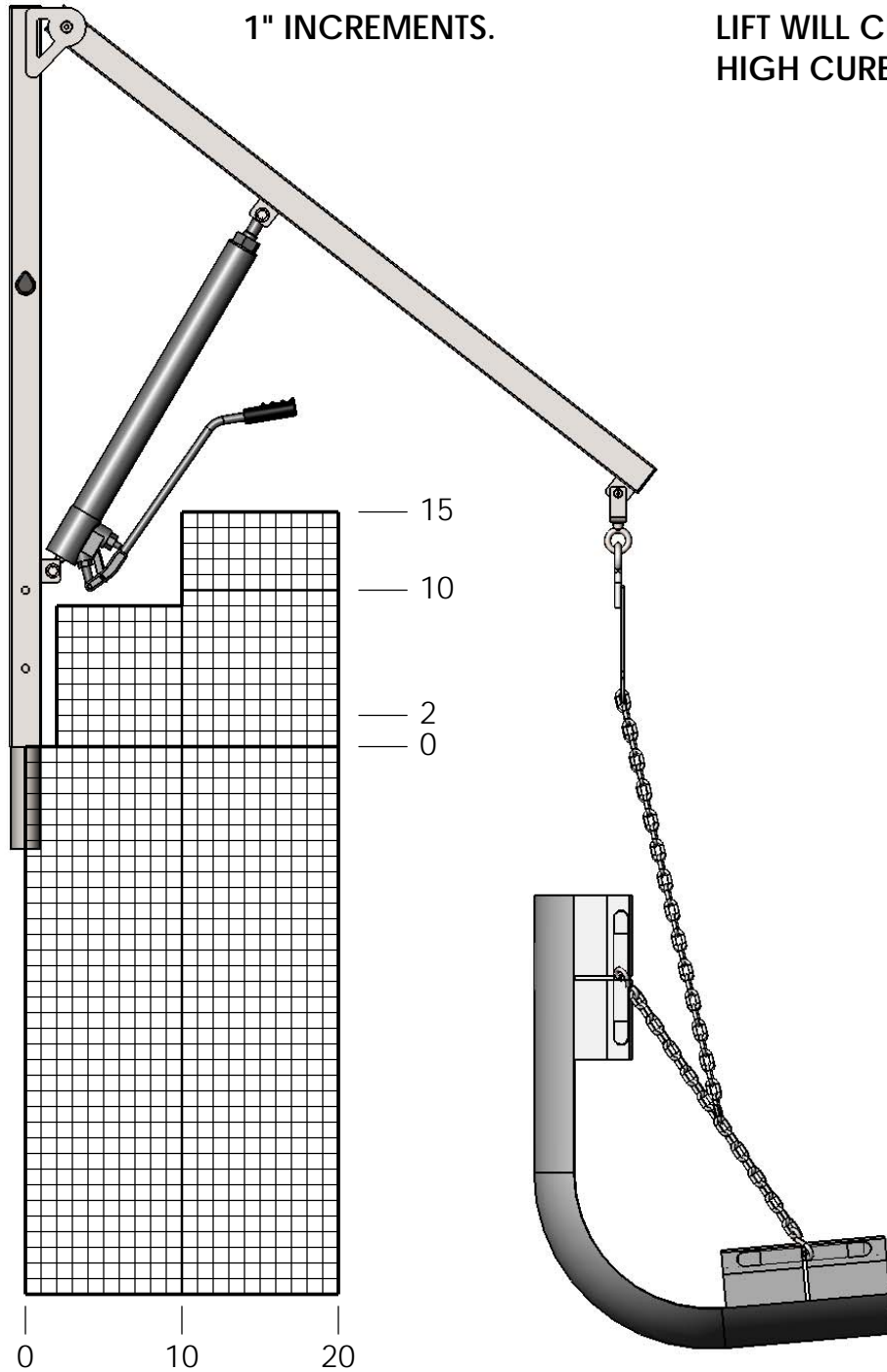


# EZ 2 GRAPH CHART

MINIMUM SETBACK = 12"  
 MAXIMUM SETBACK = 20"

DRAW YOUR PROFILE ON THE GRAPH USING THE CENTER OF THE ANCHOR AS YOUR STARTING POINT. ALL GRAPH LINES ARE IN 1" INCREMENTS.

CHAINS MUST BE ADJUSTED ALL THE WAY UP TO CLEAR A 15" HIGH WALL. WITH THE CHAINS IN THEIR STANDARD POSITION, THE LIFT WILL CLEAR A 2" HIGH CURB.



9889 GARRYMORE LANE  
 MISSOULA, MT 59808  
 (406) 549-0769  
 FAX (406) 549-2602

PRODUCT:		<b>EZ 2 POOL LIFT</b>	
PART #:		<b>F-EZPL2</b>	
SCALE:	<b>1:12</b>	DATE:	<b>6/5/2017</b>
DRAWN BY:	<b>KR</b>	REVISION:	<b>A</b>