



# HAUSMANN INDUSTRIES, INC.

## Installation/Operation Instructions

### Model 1420 / 1422 - Space Saver Mat Platform

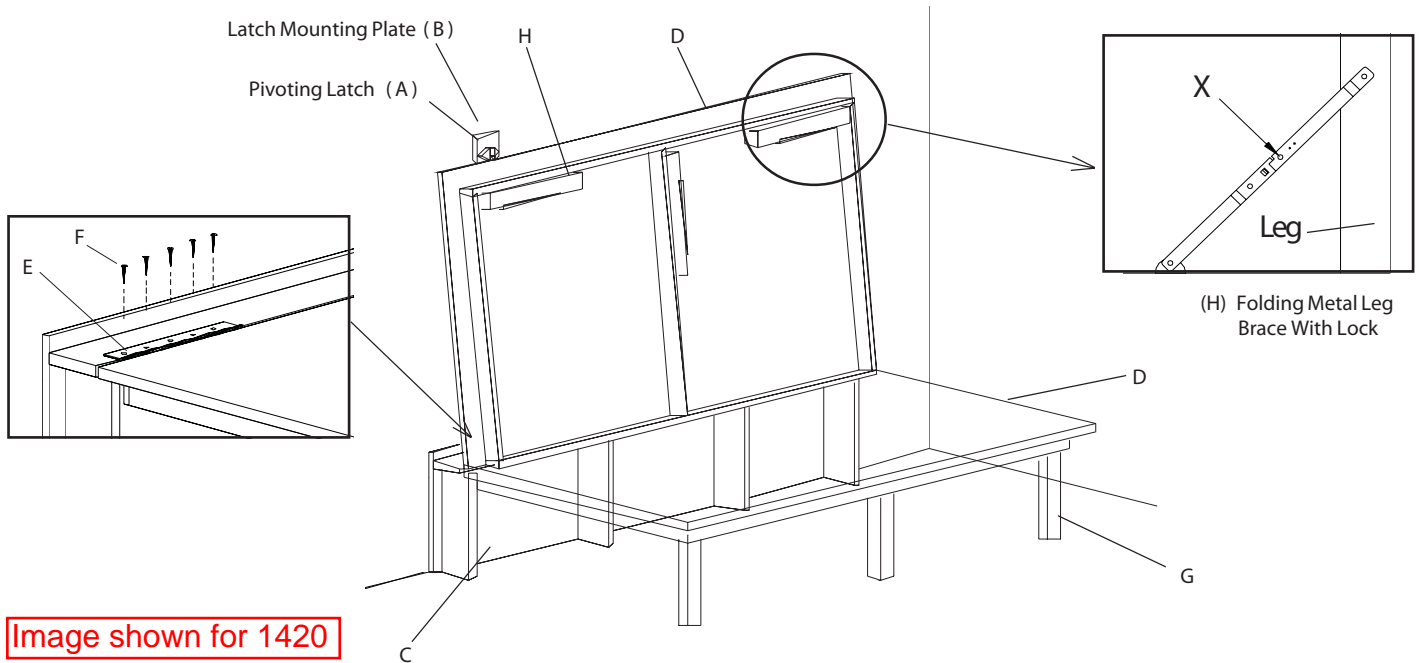


Image shown for 1420

#### Parts List:

PART	PART #	QTY	DESCRIPTION
A	1420 - 001	1	Pivoting Latch
B	1420 - 002	1	Latch Mounting Plate
C	1420 - 003	1	Wall Plate
D	1420 - 004	1	Platform
E	1420 - 005	3	Platform Hinges
F	1420 - 006	12	Screws, 3/4", #8, Truss, Phil.
G	1420 - 007	3	Legs
H	1420 - 008	3	Folding Leg Brackets
I	1420 - 009	4	Screws, 2 1/2", #8, Pan, Phil.



Please join Hausmann's effort to reduce paper use and keep the planet green by using our paperless Warranty Registration form. Visit [www.hausmann.com](http://www.hausmann.com) and click on Warranty Registration. If you do not have web access or prefer the form be mailed or faxed to you, please call Hausmann Customer Service.

**As of January 1, 2010, we will no longer include the paper based forms, please visit the online link to fill in your Warranty Form.**

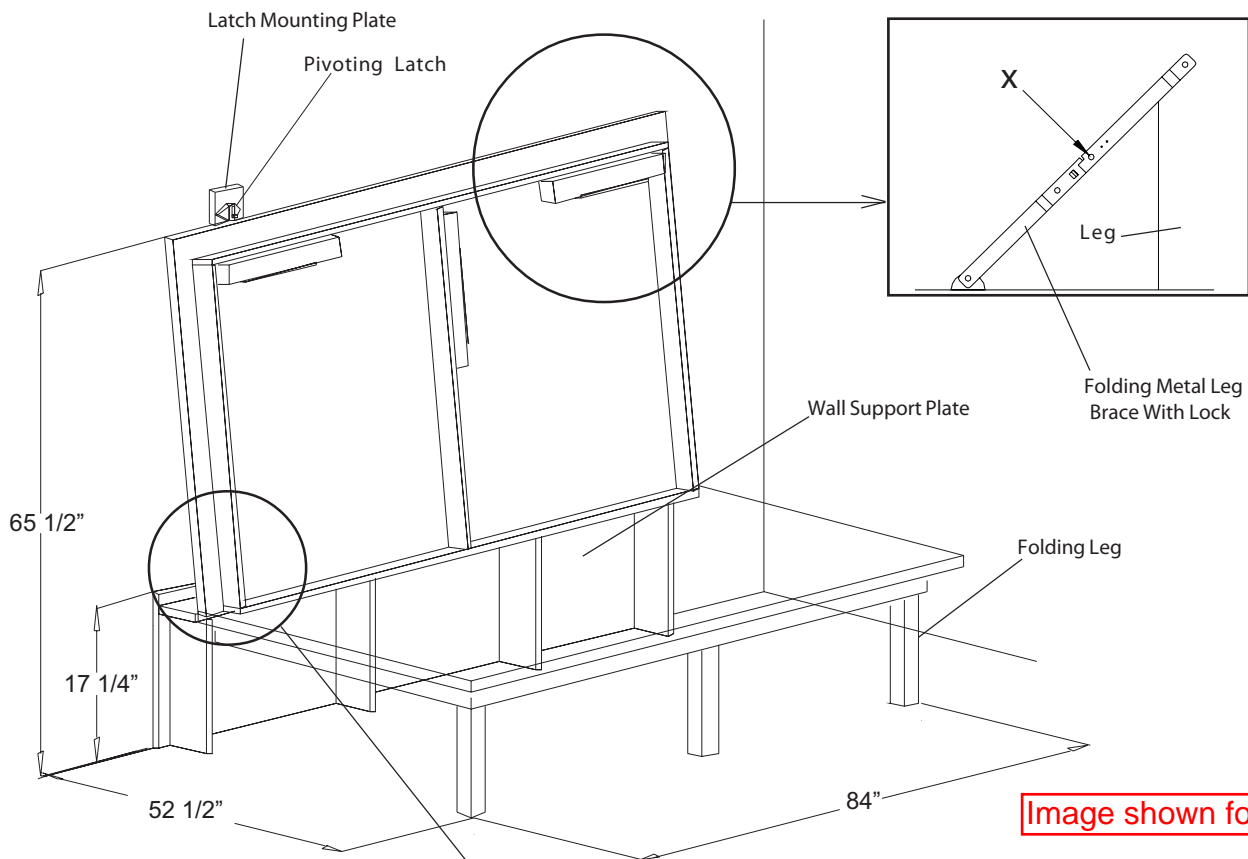


Image shown for 1420

**Installation**

1. Mount wall support plate to wall allowing it to sit on the floor, using fasteners (not supplied by Hausmann Industries). NOTE: Make sure the wall fasteners are fastened into wall studs.
2. Fold open the legs on the platform and set the (3) platform hinges on the wall mounting plate. Attach platform hinges to wall mounting plate with the screws provided. Center platform across wall mount, equal distance left to right.
3. Position the wall latch 65 1/2" above the floor (47 1/2" for 1422) and mount using fasteners (not supplied by Hausmann Industries). The horizontal placement of the latch can be varied based on use conditions and location of wall studs. NOTE: Make sure the latch mounting plate is fastened securely into a stud.

**To fold the mat:**

1. Slide the wall latch up to allow the table to fold upward.
2. Fold the mat into the wall and lock wall latch.
3. Fold legs by releasing brace locks. While pressing button 'X' gently push brace toward leg.

**To unfold the mat:**

1. Pull out the legs. Be sure that the legs lock into place when fully extended by pulling center of leg brace toward you.
2. Open wall latches so that they are standing in a position that will allow the mat to fold down. Carefully pull the table from the wall towards the floor.

**CAUTION:** Maintain control over the mat during complete unfolding operation. Do not allow the mat to drop down unattended.