

Bellman Bed-shaker BE1270

Function

The BE1270 Bellman Bed-shaker is a vibrator for indoor use that is placed in the bed to attract the attention of the user via vibrations. The Bed-shaker vibrates when instructed to do so by the unit to which it is connected.

Installation & connection

The Bellman Bed-shaker is usually placed under a pillow or close to the body.

The BE1270 connects to a range of Bellman & Symfon products with vibrator outputs.

Testing

Connect the Bed-shaker to a Visit receiver or other product with vibrator output and follow the relevant testing procedure.

Troubleshooting

Does not vibrate	<ul style="list-style-type: none"> • Check that the plug is connected correctly. • Check that the receiver is picking up signals.
------------------	---



Technical information

Power supply

Operating voltage: 2.0 – 4.0 V DC from the Bellman Visit Receiver

Power consumption: 250 - 750 mA

Additional information

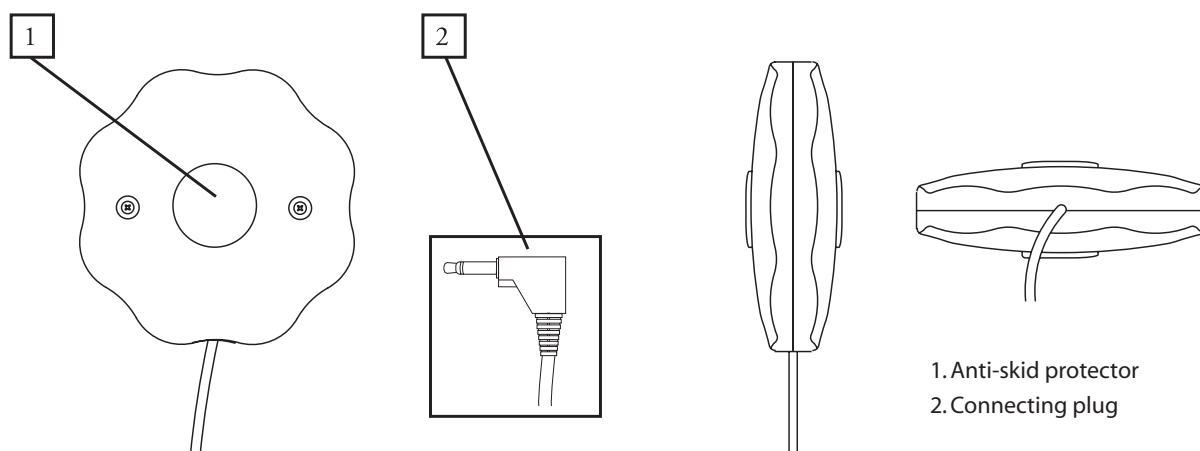
For indoor use only

Dimensions WxHxD: 88 x 88 x 27 mm

Weight: 120 g

Colour: White with red rubber anti-skid protector.

Flex length: 2 m



1. Anti-skid protector
2. Connecting plug