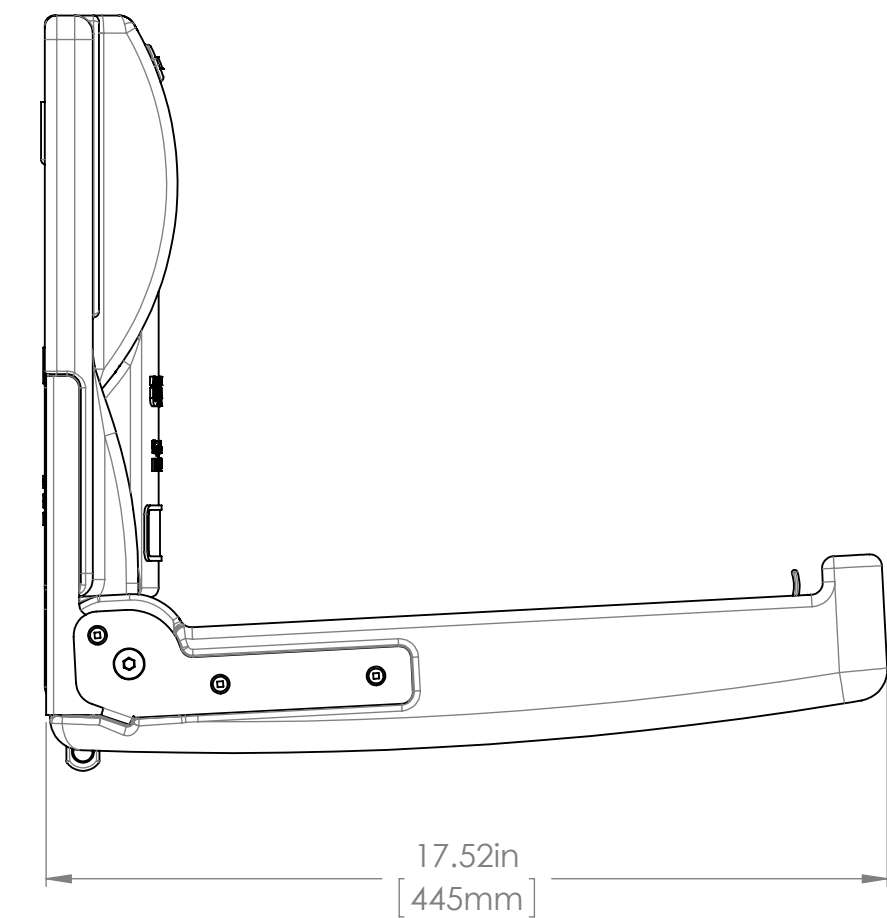
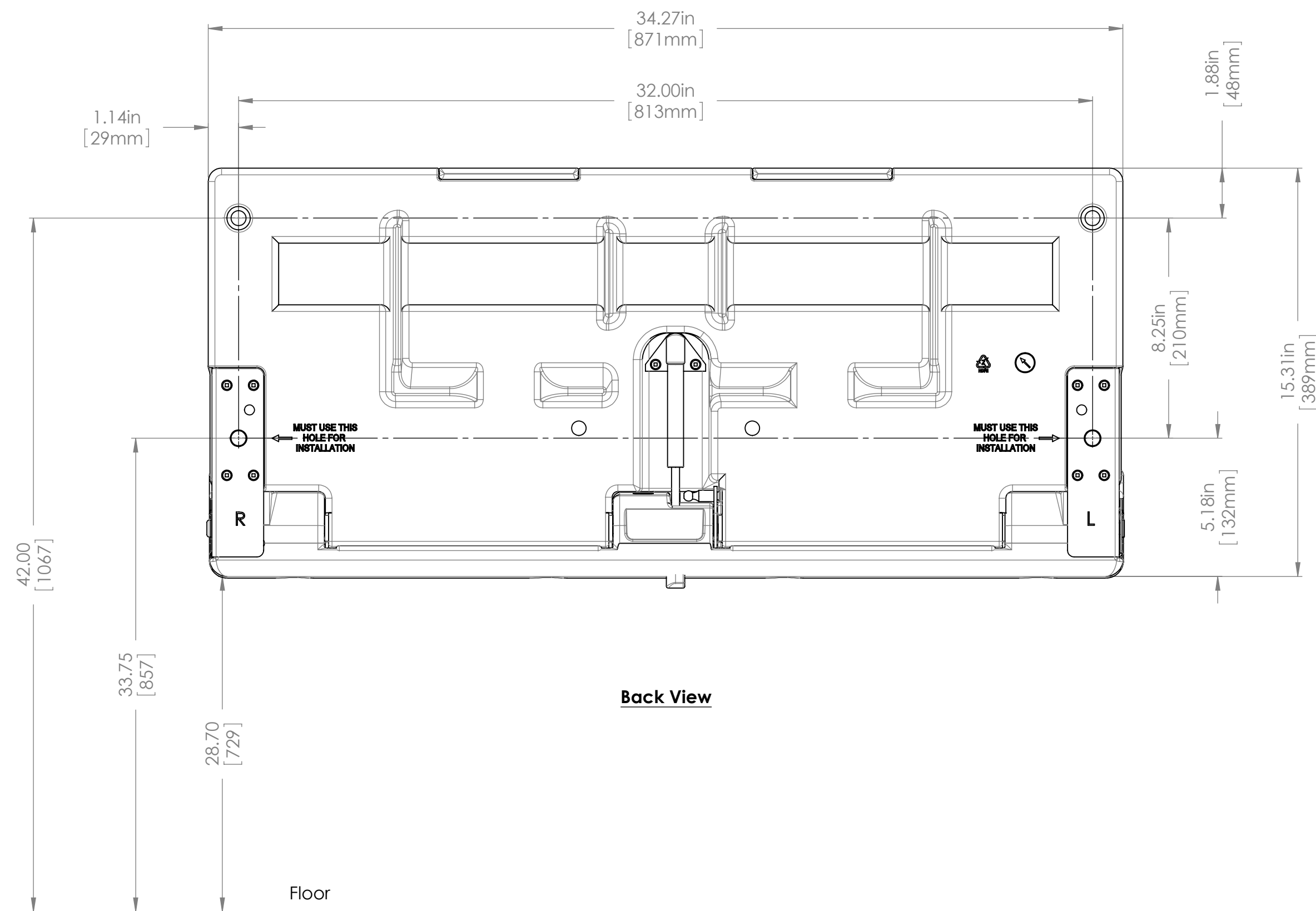
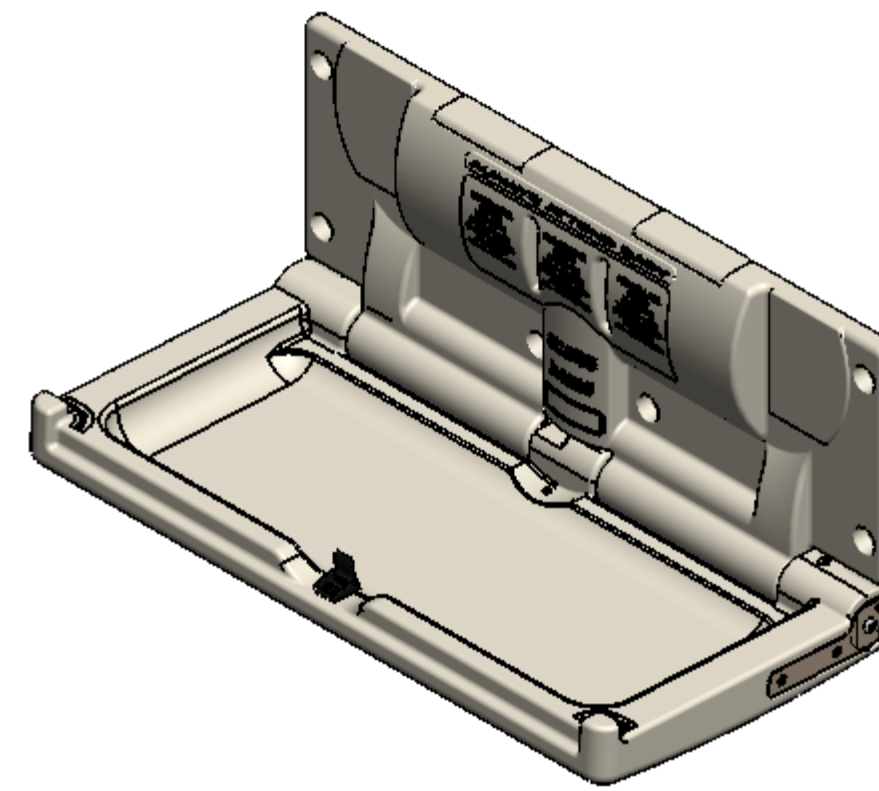



REV.	DESCRIPTION	DATE	APPROVED
0	Initial Release	12/2/2008	JXxxxx
1	Added Side Hinges	3/26/2009	JXxxxx
2	A.F.F height change: 46.0in to 42.0in	2/05/13	LP



DIMENSIONAL TOLERANCES: (UNLESS OTHERWISE SPECIFIED) FRACTIONAL: $\pm \frac{1}{32}''$ MACHINED ANGLES: $\pm 0.5^\circ$ BEND ANGLES: $\pm 1.0^\circ$ 0.XX: $\pm 0.040$ in [1mm] 0.XXX: $\pm 0.0150$ in [0.38mm]		 DESCRIPTION: Architectural Layout for 100EH	
MATERIAL: N/A	PART NO: Arch - 100EH	SCALE: NTS	Rev 2
FINISH: N/A	DRAWN BY: JXxxxx	DATE: 12/1/2008	SIZE: C
<b>PROPRIETARY AND CONFIDENTIAL</b> THE INFORMATION CONTAINED IN THIS DRAWING IS THE EXCLUSIVE PROPERTY OF FOUNDATIONS WORLDWIDE, INC. ANY REPRODUCTION OR USE OF THIS DRAWING, IN PART OR IN WHOLE WITHOUT THE EXPRESSED PERMISSION OF FOUNDATIONS WORLDWIDE, INC IS PROHIBITED.		SHEET 1 OF 1	