

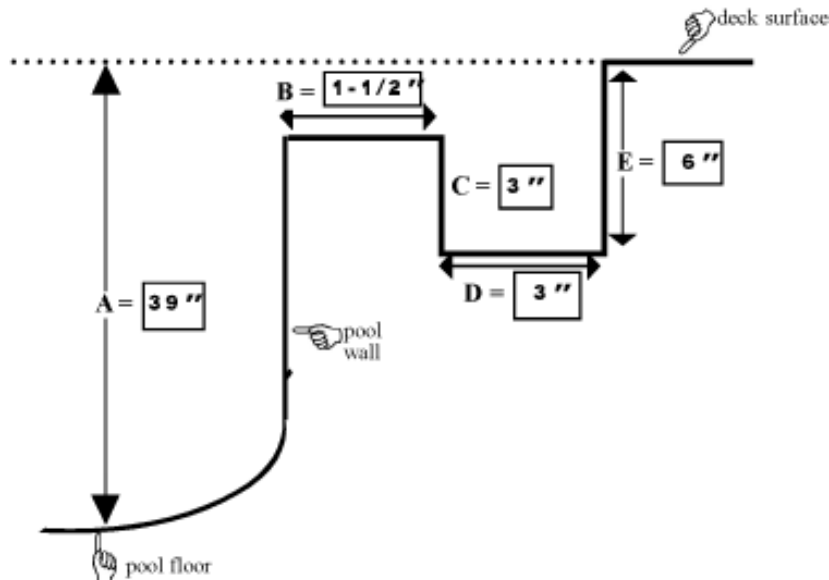
How To Find Gutter Detail & Pool Profile

We provide each customer with a gutter detail and pool profile form to ensure a superior custom fit for your pool access system. The following instructions describe how to accurately complete a gutter detail and pool profile form. If your gutter is not shown on the following gutter detail form, please draw your gutter in full detail. For faster company response and feedback, the gutter detail and pool profile information may be faxed to us at 701-297-9702. Only one gutter diagram and one pool profile is required to be completed.

Finding Your Gutter Detail

To the right of this page, there is an example of a completed gutter detail. To complete a gutter detail, simply do the following:

1. Locate the gutter detail drawing on the gutter detail form that matches your gutter configuration.
2. If your gutter configuration does not match a drawing currently on the gutter detail form, then please draw your gutter configuration.
3. Measure all the dimensions of your pool's gutter. Follow the gutter detail drawings as examples of what to measure.
4. Input your gutter measurements into the appropriate gutter detail form provided or draw your own gutter detail on a separate sheet of paper.

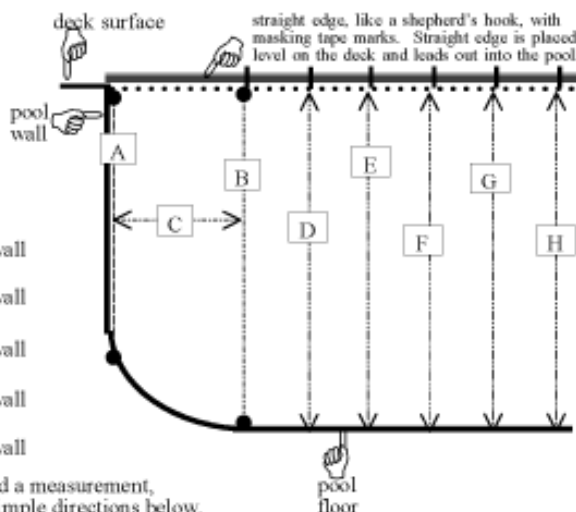


Finding Your Pool's Profile

Sample of a Completed Pool Profile Shown Below:

IMPORTANT NOTE: measurements are from the deck to the pool floor and *NOT* the water depth.

- A** = 39" from the deck to the top of the curve
- B** = 45 - 1/2" from the deck to the bottom of the curve
- C** = 14 - 1/2" distance between A and B
- D** = 46 - 1/4" from deck to pool floor at 2' from the pool wall
- E** = 46 - 3/4" from deck to pool floor at 3' from the pool wall
- F** = 47" from deck to pool floor at 4' from the pool wall
- G** = 47 - 1/2" from deck to pool floor at 5' from the pool wall
- H** = 47 - 1/2" from deck to pool floor at 6' from the pool wall



As you can see above, there are several lettered boxes that each need a measurement, but don't allow yourself to be intimidated by this. Just follow the simple directions below.

1. Start gathering your measurements by using a straight edge item that is long enough to extend out into the pool. A good item to use would be either the vacuum cleaner handle or a shepherd's hook handle.
2. Once you choose your straight edge item, mark it with measuring tape for approximate feet from the deck of the pool. We recommend that you place your measuring tape markers at 2 feet, 3 feet, 4 feet, 5 feet and 6 feet increments.
3. Lay a level across the top if you have a Bullnose or Angled Edge.
4. Take your measurements and fill in the appropriate blanks on your pool profile form. Please see completed Pool Profile example above.

Remember: Measurements are from the deck surface to the pool floor and NOT the water depth.