

# OXFORD | HOYER

*Oxford®/Hoyer®* Advance

Portable and Folding Patient Lift

*User*

*Instruction  
Manual &  
Warranty*

*Oxford®/Hoyer®* Advance

Lève-personne portatif et pliant

*Manuel de  
l'utilisateur  
et garantie*

*Oxford®/Hoyer®* Advance

Elevador portátil y plegable  
para pacientes

*Manual de  
Instrucciones y  
Garantía para  
el Usuario*

*Oxford®/Hoyer®* Advance

Mobiler Patientenlifter, klappbar

*Benutzerhandbuch  
und Garantie*

## MANUFACTURER'S CONTACT DETAILS



### EUROPE

#### Sunrise Medical Ltd

High Street, Wollaston, Stourbridge,  
West Midlands  
DY84PS UK  
+44 (0) 1384 44 66 22  
Fax: +44 (0) 1384 44 66 44  
[www.sunrisemedical.co.uk](http://www.sunrisemedical.co.uk)



### USA

#### Sunrise Medical, Inc

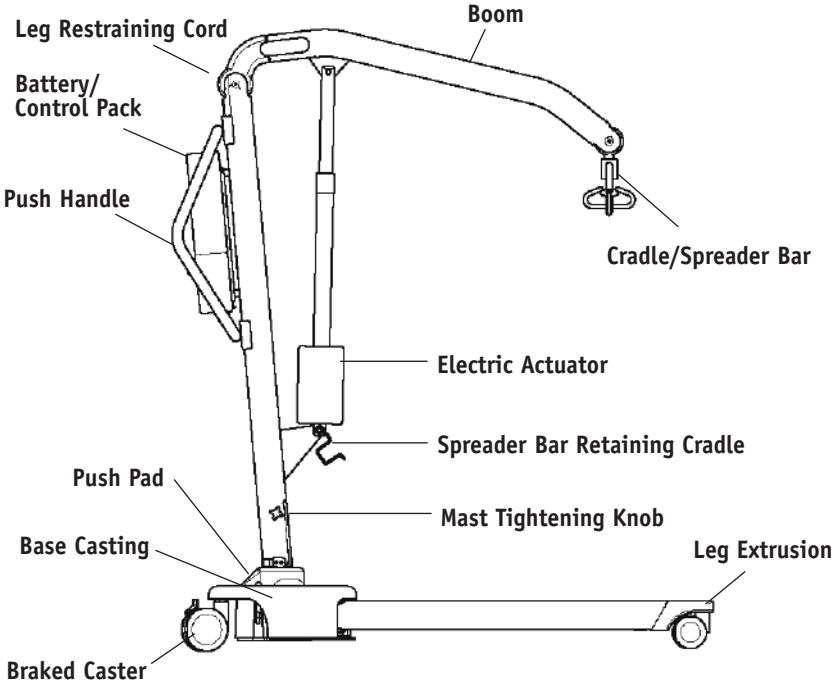
7477 East Dry Creek Parkway  
Longmont, CO 80503  
303-218-4600  
800-333-4000  
Fax: 303-263-3390  
[www.sunrisemedical.com](http://www.sunrisemedical.com)

## CONTENTS

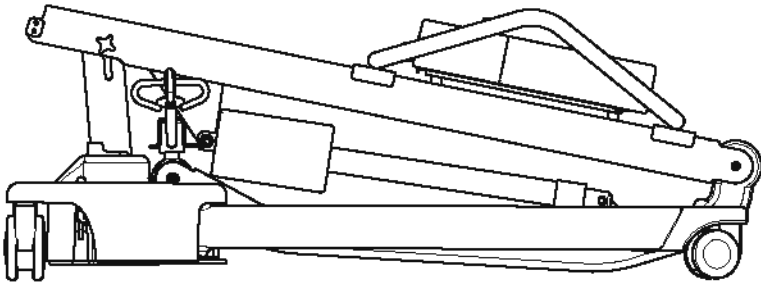
1. Oxford/Hoyer Advance Patient Lift .....	3
2. Introduction: The Oxford/Hoyer Advance Patient Lift .....	4
3. Assembly and Commissioning Instructions .....	5
4. Disassembly .....	7
5. Safety Precautions .....	10
6. Operating Instructions .....	12
7. Maintenance Schedule .....	16
8. Technical specifications .....	18
9. Servicing, repairs, inspections & testing .....	20

## THE OXFORD/HOYER ADVANCE PATIENT LIFT

### OXFORD/HOYER ADVANCE LIFT (READY FOR USE)



### OXFORD/HOYER ADVANCE LIFT (STORAGE POSITION)



## INTRODUCTION: THE OXFORD/HOYER ADVANCE PATIENT LIFT

### ABOUT YOUR LIFT

#### Statement of Intended Use:

The intended use of the lifting device is to transfer an individual from one resting surface to another (such as a bed to a wheelchair). Moving a person in a sling over ANY distance is not recommended.

The Oxford/Hoyer Advance is available in two versions, hydraulically operated and electrically operated. This manual covers both Advance models. Each lift is fully assembled, load tested and certified before being packed/shipped.

The packing consists of a strong, purpose built carton and is used for both export and domestic markets to ensure the safe arrival of the lift. A number of documents are supplied in a wallet packed with each lift and should be kept safely for future reference.

- TEST CERTIFICATE
- USER MANUAL
- DEALER GUARANTEE CARD
- CUSTOMER SATISFACTION CARD

The TEST CERTIFICATE is an important document and should be kept for reference purposes. To properly maintain your lift please refer to the maintenance schedule included in this document. If you are at all unsure what your local market servicing requirements are, please check with your dealer and/or a local government agency.

The Oxford/Hoyer Advance is suitable for the following CATEGORIES of lift within the working parameters of the lifts specified in the TECHNICAL SPECIFICATIONS.

- Category A - Wheelchair
- Category B - Bed
- Category C - Bath (dependent upon setting)
- Category D - Toilet/Shower Chair
- Category E - Floor
- Category F - 90 degree Rotation

The Oxford/Hoyer Advance is suitable for patients in the SITTING, SITTING/RECUMBENT and RECUMBENT positions. The slings suitable for this device are listed as follows

- Oxford/Hoyer Quick fit sling
- Oxford/Hoyer Full back sling
- Oxford/Hoyer Quick fit deluxe sling
- Oxford/Hoyer Long seat sling
- Oxford/Hoyer Access sling

#### The CE mark:



The Oxford/Hoyer Advance carries the CE mark and complies with the following EC directives:

- Medical Device Directive (93/42/EEC)
- EMC Directive (89/336/EEC) (Electrics only)
- Low Voltage Directive (73/23/EEC) (Electrics only)

## ASSEMBLY AND COMMISSIONING INSTRUCTIONS

### CARTON CONTENTS

Place the carton in a clear working area and open carefully. The carton contains:

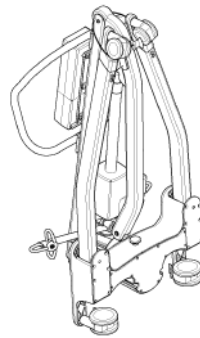
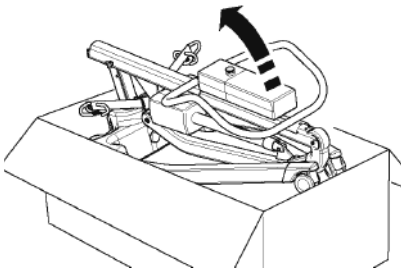
- OXFORD/HOYER ADVANCE
- WALLET CONTAINING DOCUMENTS
- HANDCONTROL (electric only)
- BATTERY PACK (electric only)
- BATTERY CHARGING LEAD (electric only)
- HYDRAULIC UNIT (hydraulic only)

**SAFETY NOTE**– The Oxford/Hoyer Advance is heavy and will need to be lifted with care. You may need assistance to lift the Oxford/Hoyer Advance from the carton.

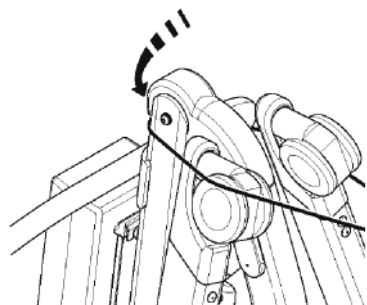
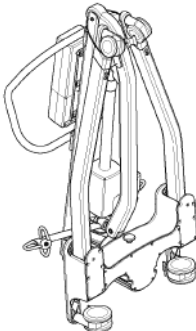
### ASSEMBLY INSTRUCTIONS

**1.** Remove all the parts from the carton and place on the floor, taking care to protect the finish from damage.

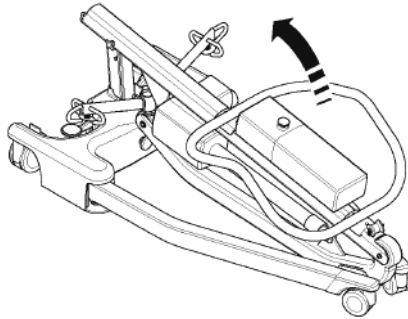
Lift the Advance carefully from the carton. Stand the lift in the upright position (in a triangular stance).



**2.** Release the leg and mast assembly by unfastening the restraining strap from the wheels. This strap will retract neatly into the top of the mast section.

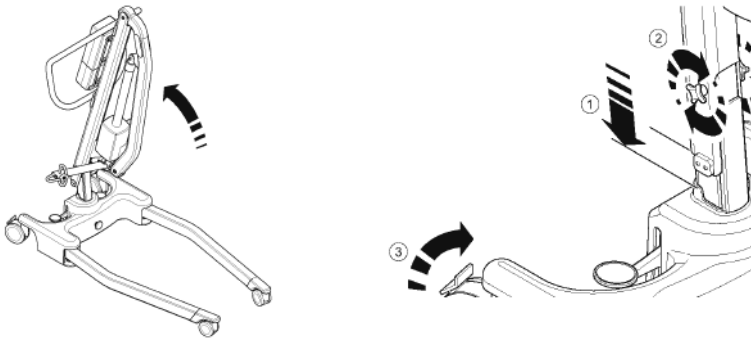


3. Lay the Advance flat on the floor (ensure rear castors are securely locked).

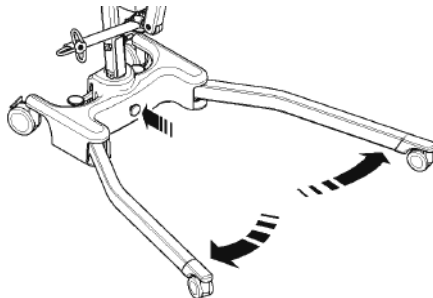


4. Lift the mast assembly upright (using the top of the push handle), and drop the mast into the slot (1), tighten mast lock knobs (2), release braked castors (3).

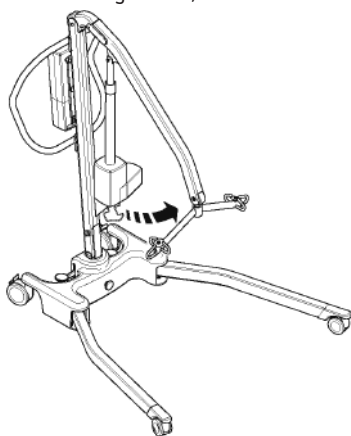
**SAFETY NOTE**– Avoid trapping fingers. Keep fingers away from the end of the mast when inserting into the mast slot. Tighten the mast-locking device, and unlock the braked castors at the rear.



5. Open legs fully. ENSURE leg-locking knob inserts flush against the base casting and the legs will no longer move freely. The legs will then only operate by the use of the foot pedal mechanism located at the rear of the base.

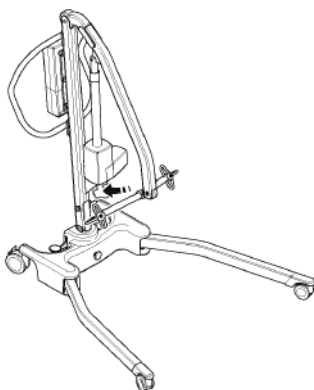


6. Release spreader bar from retaining cradle, and the lift is ready for operation.

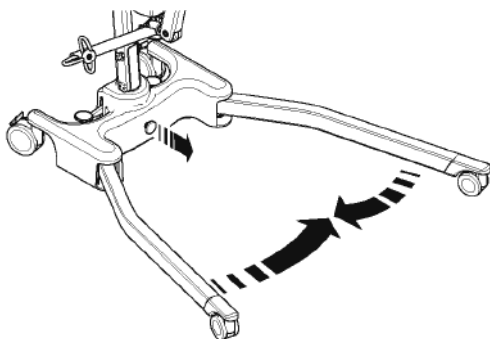


## DISASSEMBLY

1. Lower the mast to the lowest possible position, then insert spreader bar into retaining cradle.

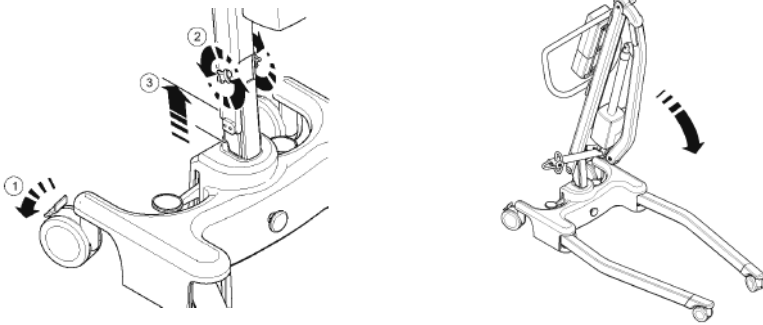


2. Release leg-locking device (pulling it away from the cast base), close legs tightly together.

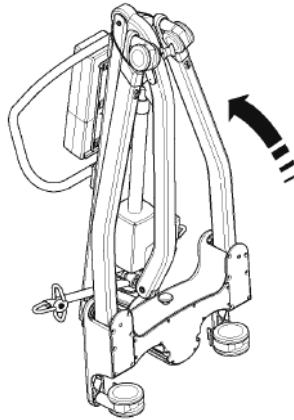


3. Loosen mast locking device (2- not fully) lift the mast and boom assembly (3), and fold carefully toward the legs. Use the push handle to assist this motion.

**NOTE-** if you wish to separate the mast and boom completely from the base and legs, undo the mast locking device fully (remove) and lift the mast and boom completely free from the base. Be careful not to lose the mast lock device's knob and location spindle.



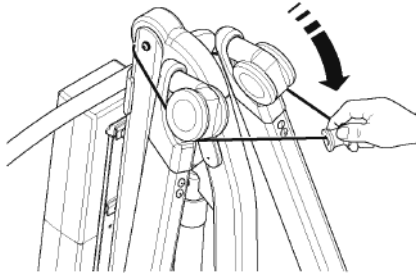
4. Lift the folded Advance upright (using the legs and push handle as a guide) being careful that the mast and boom stay together as you tilt upright.





5. Pull the restraining strap sharply upwards and extend over the wheels. (This will keep the legs, mast and boom neatly together during transit and storage).

**NOTE**– Care should be exercised when folding/unfolding an Advance as there is a possible danger of pinching the fingers etc. Please follow the instructions carefully and ask for assistance if you are unsure of the correct procedure.



### ALWAYS CHECK THE FOLOWING BEFORE OPERATION

- The legs are fully engaged from the stowed position (see assembly instructions, step 5)
- The mast is fully locked into position (see assembly instructions, step 4)
- The legs of the lift open and close satisfactorily.
- The red emergency stop button, located on the rear of the control box, is in the OFF (out) position.
- Push the up and down buttons on the hand control and confirm the boom rises and lowers.

### HYDRAULIC MODELS ONLY

- Close the hydraulic unit release valve by turning the knob clockwise on the unit.

**NOTE**– The release valve requires only minimal tightening to operate and should only be closed finger tight. DO NOT apply excessive force to the valve knob as this will result in damage to the valve.

- Pump the handle of the hydraulic unit and confirm the ram raises the boom.
- Open the release valve fully anticlockwise and check the boom descends. An unloaded boom will not come down under its own weight. It will be necessary to apply some pressure to the boom before it will descend.

**NOTE**– The release valve is fully open and encounters a positive end stop in less than two full turns of the knob

## SAFETY PRECAUTIONS

Please read and follow the safety precautions listed below. The operation and use of Oxford/Hoyer patient lifts is simple and straightforward. Following these few basic safety precautions will make lifting operations easy and trouble free.

### READ AND UNDERSTAND THE USER INSTRUCTION MANUAL BEFORE USING YOUR "ADVANCE" LIFT

**WARNING**—Important safety information for hazards that might cause serious injury.

**CAUTION**—Information for preventing damage to the product.

**NOTE**—Information to which you should pay special attention.

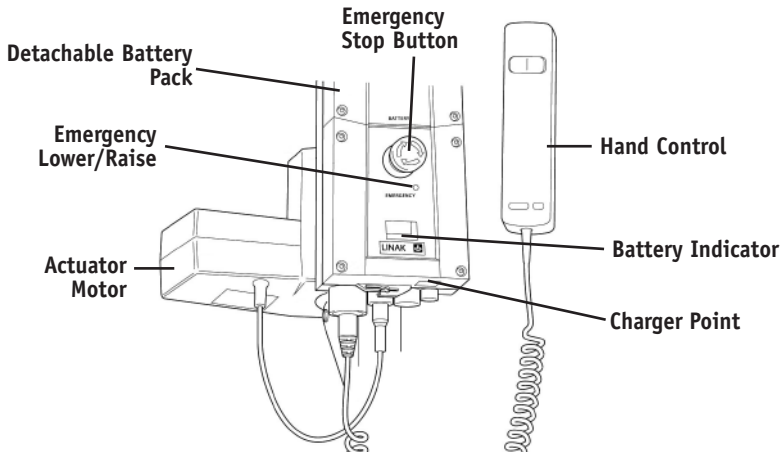
### **WARNING**

- **ALWAYS** plan your lifting operations before commencing.
- **ALWAYS** carry out the **DAILY CHECK LIST** (page 16) before using the lift.
- **ALWAYS** familiarise yourself with the operating control and safety features of a lift before lifting a patient.
- **DO NOT** use a sling unless it is recommended for use with the lift.
- **ALWAYS** check the sling is suitable for the particular patient and is of the correct size and capacity.
- **NEVER** use a sling, which is frayed or damaged.
- **ALWAYS** fit the sling according to the instructions provided.
- **ALWAYS** check the safe working load of the lift is suitable for the weight of the patient.
- **ALWAYS** carry out lifting operations according to the instructions in the user manual.
- **NEVER** disconnect or bypass a control or safety feature because it seems easier to operate the lift.
- **DO NOT** lift a patient with the castor brakes on. Always let the lift find the correct centre of gravity.
- **DO NOT** attempt to maneuver the lift by pushing on the mast, boom or patient.
- **ALWAYS** maneuver the lift with the handle provided.
- **ALWAYS** lower the patient to the lowest comfortable position before transfers.
- **DO NOT** push a loaded lift at speeds, which exceed a slow walking pace (3 Kilometers/hour 0.8 meters/second).
- **DO NOT** push the lift over uneven or rough ground. Particularly if loaded.

- **DO NOT attempt to push/pull a loaded lift over a floor obstruction, which the castors are unable to ride over.**
- **NEVER force an operating/safety control. All controls are easy to use and do not require excessive force.**
- **DO NOT park a loaded lift on ANY sloping surface.**
- **DO NOT use electric lifts in a shower.**
- **DO NOT charge an electric lift in a bathroom or shower room.**
- **DO NOT lift a patient unless you are trained and competent to do so.**
- **YOUR lift is for patient lifting. DO NOT use it, or allow it to be used, for any other purpose.**
- **DO NOT bump the lift down steps, loaded or unloaded.**
- **DO NOT attempt to negotiate a loaded lift on a slope, which exceeds 1:12 (approximately 5 degrees).**
- **DO NOT attempt to negotiate a slope without a second helper being present.**
- **ALWAYS check the hoist is not charging before moving as the electrical connection may be damaged.**

## OPERATING INSTRUCTIONS

### OPERATING CONTROLS FOR THE OXFORD/HOYER ADVANCE



### OPERATING INSTRUCTIONS

#### 1. Leg adjustment

The legs on the Oxford/Hoyer Advance are adjustable for width. The legs can be opened to enable access around armchairs or wheelchairs. For transferring and negotiating narrow doorways and passages the lift legs should be in the closed position.

To achieve the adjustment, the leg adjuster pedal, located at the rear of the base, is compressed right (DOWN) to open the legs outwards and left (UP) to close the legs. The adjustment can be carried out with the patient in the lift, but whether loaded or unloaded the adjustment should be made when the lift is moving.

#### **⚠ WARNING**

**Never lift with the legs in the closed/transport position. The closed position is for storage and transport only.**

#### 2. Castors and Braking

The lift has two braked castors, which can be applied for parking. When lifting, the castors should be left free and un-braked, so that the lift will then be able to move to the centre of gravity of the lift. DO NOT apply the brakes because if the brakes are applied the patient might swing to the centre of gravity and this may prove disconcerting and uncomfortable.

### **3. Raising and lowering the boom (electric models)**

The movement of the boom is achieved by a powerful electric actuator, which is controlled by a simple hand control unit. The hand control has two buttons with directional arrows UP and DOWN. The actuator stops automatically at the limit of travel in both directions. The hand control plugs into a socket at the base of the control box. There is a hook on the rear of the hand control, which allows it to be “parked” on the mast or boom when not in use.

### **4. Emergency Stop (Electric only)**

The red Emergency Stop Button is located on the rear of the control box and is activated by pressing in. This will cut all power to the lift and only be reset by twisting the button counterclockwise and releasing.

### **5. Emergency Lower/Raise**

Emergency lower/raise buttons are provided at the rear of the control box. This is operated by inserting the tip of a ball point pen into the button highlighted “lower/raise”. This will bring the boom down/up should the hand control fail at any time.

### **6. Mechanical Emergency Down (Electrical Down)**

In the case of a complete electrical failure the electric actuator is fitted with mechanical lowering device (RED BOSS). This will only operate when the lift is under load. The device must be pulled upwards to activate and a slow decent will commence.

### **7. Batteries**

The batteries are protected from deep discharge by a LOW VOLTAGE ALARM. This will sound when the batteries need recharging and the hand control is being operated. It will not sound independently of the hand control being operated. **CAUTION: DO NOT IGNORE THIS WARNING ALARM.** Complete the lifting operation and place the lift on charge (see charging instructions).

### **8. Raising and lowering the boom (hydraulic models)**

The raising and lowering of the boom is achieved by a powerful hydraulic ram, which is operated by two simple controls. The release valve, which is identified by a silver star shaped knob, and the pump handle which is a long lever on the side of the hydraulic unit to raise the boom. The valve is closed by gently turning the knob fully clockwise. When closed, pump the long handle with smooth even strokes for maximum effect. The handle strokes from an upright position through an arc of 90 degrees. Leave the handle in the upright position when not in use.

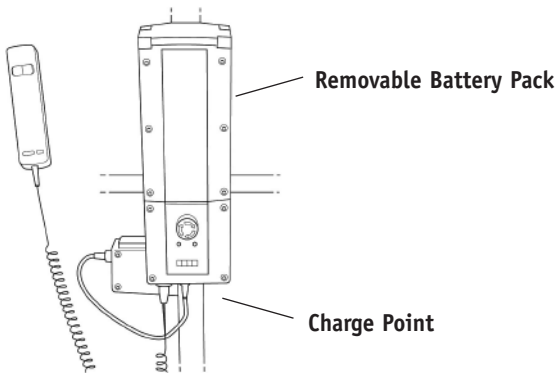
DO NOT force the handle beyond the upper or lower stops. The hydraulic unit can be rotated to allow the handle to be used from either side of the lift. To lower the boom, turn the release valve anticlockwise. The release valve is progressive, the more it is opened the faster the descent. The valve is restricted so even when fully open the

descent is controlled. This facility allows for a "hands free" descent. If the release valve is opened a fraction (a quarter turn) a very slow speed of descent will allow the caregiver to work "hands free" while assisting or comforting the patient. REMEMBER to close the release valve before commencing lifting operations. The release valve only requires gentle pressure to open or close. DO NOT apply excessive force to the release valve, either to close or to open. It is not necessary and will only damage the valve.

## 9. Slings

The selected sling is attached to the spreader bar hooks, each sling is supplied with instructions. Please study the instruction guide for the lifter and sling before using. Once the correct sling has been selected for the patient, attach it to the spreader bar hooks.

## CHARGING INSTRUCTIONS FOR THE OXFORD/HOYER ADVANCE LIFT



The batteries are located in the power pack and are charged through a socket at the base of the control box.

1. Insert the power supply plug into the charge point at the base of the control box. The plug is inserted with a straight push. DO NOT twist the plug in the socket.
2. Plug the charger mains lead/cord into a suitable mains/power outlet and switch the mains/power supply ON.
3. Charging is fully automatic. The LCD indicator indicates the status of the charging. Note: Even if the charger is left plugged in for extended periods it will not allow the batteries to "overcharge".
4. To return the lift to service, switch OFF the mains supply, pull the charger socket out and disengage from the mains supply

** WARNING**

- **WARNING** check the hoist is not charging before moving as the electrical connection may be damaged
- **CAUTION:** Keep the batteries fully charged. Place the lift on charge whenever it is not in use. The charger will not allow the batteries to “overcharge”.
- **CAUTION:** Never run the batteries completely flat. If the audible warning sounds, complete the lifting operation in hand and place the lift on charge.
- **CAUTION:** Never store the lift for long periods without regular charging throughout the storage period.
- **CAUTION:** Always make sure the mains power to the charger is switched off before connecting or disconnecting the charger to or from the lift.
- **CAUTION:** Never leave the charger plugged into the lift with the mains power off.
- **CAUTION:** Never disconnect the charger plug by pulling on the cable.

## MAINTENANCE SCHEDULE FOR THE OXFORD/HOYER ADVANCE

All Oxford/Hoyer products are designed for minimum maintenance, however some safety checks and procedures are required. A schedule of DAILY tasks is detailed below. A list of replacement parts is available upon request.

### DAILY CHECK LIST

Sunrise Medical strongly recommends the following checks be carried out on a daily basis and before using lift.

- MAKE sure the lift moves freely on its castors.
- MAKE sure the spreader bar is free to rotate and swing. Check the spreader bar is firmly attached to the boom.
- EXAMINE the sling hooks on the spreader bar and side suspenders for excessive wear. If in doubt - do not use.
- EXAMINE slings for fraying or other damage. DO NOT use any sling if damaged
- MAKE sure the legs open and close correctly.
- OPERATE the hand control or the hydraulic unit to confirm the boom raises and lowers satisfactorily.
- CONFIRM the lift is not giving a low battery alarm when the hand control is operated (electric lifts only). If the alarm sounds DO NOT use and place on charge immediately.
- ON electric powered lifts check the operation of the emergency stop button.
- ON hydraulically operated lifts check for hydraulic fluid leakage. Any leakage should be reported to a service engineer immediately and the lift should not be used until it has been repaired.

### MAINTENANCE, INSPECTION AND TEST

Sunrise Medical recommends a thorough inspection and test of the Oxford/Hoyer Advance lift and lifting accessories; slings, etc. are carried out on a regular basis. Inspection frequency varies from country to country, so you must check with your local government agency how often an inspection is required. The examination and test should be conducted according to the recommendations and procedures below. Whenever possible Sunrise Medical recommends maintenance, inspection and certified testing is carried out by authorised service agent / dealers only.

**NOTE**– These recommendations are in compliance with the requirements of 1998 No2307 Health and Safety: The Lifting Operations and Lifting Equipment Regulations 1998. This is a UK regulation. Outside the UK please check your local country requirements.



**\*THESE CHECKS SHOULD INCLUDE:**

	Initially	Before Use	Service Intervals
1. <b>SPREADER BAR:</b> Check the spreader bar for freedom of rotation and swing. Check for wear on the central pivot. Check for firm attachment to the boom.	✓	✓	
2. <b>BOOM:</b> Check the attachment of the boom to the mast. Make sure there is only minimal side movement of the boom and the boom is free to rotate on the boom bearing.	✓	✓	
3. <b>MAST:</b> Check the operation of the mast-locking device. Make sure the mast fully engages into the socket. Check the bottom actuator or hydraulic unit mounting.	✓	✓	
4. <b>ACTUATOR (electric only):</b> The actuator should require no maintenance other than checking for correct operation and listening for unusual noise.			✓
5. <b>POWER PACK (electric only):</b> Check the function of the emergency stop button and emergency down/up.	✓	✓	
6. <b>BATTERIES (electric only):</b> The batteries are housed in the power pack and should not require maintenance other than the regular charging as detailed in the charging instructions. Check that the connections remain clean.			✓
7. <b>HYDRAULIC UNIT</b> The hydraulic unit should require no maintenance other than checking for correct operation and leakage of hydraulic fluid.		✓	✓
8. <b>LEG ADJUSTMENT:</b> Check the legs operate in both full extensions (inward/outward).	✓	✓	
9. <b>CASTORS:</b> Check all castors for firm attachment to the legs. Check for free rotation of the castor and the wheels.	✓	✓	
10. <b>CLEANING:</b> Clean with ordinary soap and water and/or any hard surface disinfectant. Harsh chemical cleaners or abrasives should be avoided as these may damage the surface finish of the lift. Avoid wetting any of the electrical parts.			✓
11. <b>LOAD TEST:</b> The load test should be carried out in accordance with the manufacturer's test procedures.			✓
12. <b>BASE AND WHEELS:</b> Ensure base is even and level (all four wheels are on the floor).	✓	✓	
13. <b>SLINGS:</b> Check for wear and fraying.		✓	
14. <b>LUBRICATION:</b> Oil pivot joints, including mast and boom connections, pedal assembly, spreader bar joint (only if required).			✓

## OXFORD/HOYER ADVANCE TECHNICAL SPECIFICATIONS

### ELECTRIC AND HYDRAULIC MODELS

Specification	Electric		Hydraulic	
Safe Working Load	342 lbs.	155Kgs	342 lbs.	155Kgs
Maximum Overall Length	49.2 inches	1250mm	49.2 inches	1250mm
Minimum Overall Length	47.2 inches	1200mm	47.2 inches	1200mm
Maximum Overall Height	72.6 inches	1845mm	72.6 inches	1845mm
Minimum Overall Height	53.1 inches	1350mm	53.1 inches	1350mm
<b>Folded Dimensions</b>				
Height	18.5 inches	470mm	18.5 inches	470mm
Depth	49.2 inches	1250mm	49.2 inches	1250mm
Width	21.6 inches	550mm	21.6 inches	550mm
Spreader Bar Max. Height	64.6 inches	1640mm	64.6 inches	1640mm
Spreader Bar Min. Height (usable)	15.4 inches	390mm	15.4 inches	390mm
Height at Maximum Reach	33.5 inches	850mm	33.5 inches	850mm
Reach at Maximum Height	28.0 inches	710mm	28.0 inches	710mm
Reach at Minimum Height	15.4 inches	390mm	15.4 inches	390mm
Maximum Reach*	33.5 inches	850mm	33.5 inches	850mm
Turning Radius	41.0 inches	1040mm	41.0 inches	1040mm
Legs Open - External Width	43.7 inches	1110mm	43.7 inches	1110mm
Legs Open - Internal Width	45.7 inches	1160mm	45.7 inches	1160mm
Legs Closed - External Width	25.2 inches	640mm	25.2 inches	640mm
Legs Closed - Internal Width	21.7 inches	550mm	21.7 inches	550mm
Overall Height of Legs	4.7 inches	120mm	4.7 inches	120mm
Ground Clearance	1.2 inches	30mm	1.2 inches	30mm
Front Twin Castors	3.0 inches	75mm	3 inches	75mm
Rear Braked Castors	4.0 inches	100mm	4 inches	100mm

\*Reach = centre of spreader bar to the front of the mast

### Weights

Mast, Base & Boom Assembly	63.7 lbs.	28.9kgs	63.7 lbs.	26.8kgs
Power Pack	6.2 lbs.	2.8kgs	N/A	
Total	69.9 lbs.	31.7kgs	59 lbs.	26.8kgs
Base Assembly (not incl. battery)	32.9 lbs.	14.9kgs	32.9 lbs.	14.9kgs
Mast & Boom (not incl. battery)	30.9 lbs.	14.00kgs	26.3 lbs.	11.9kgs

All measurements are within a +5/-5 degree of tolerance.

**ELECTRICAL SPECIFICATIONS**

BATTERIES 2 X 12 volt Rechargeable sealed lead acid type

BATTERY CAPACITY 3.2 Ampere hours

CHARGER RATED INPUT 230Vac 50/60Hz

CHARGER RATED OUTPUT 27.4/29.0 VDC@0.8A

**ELECTRIC SHOCK PROTECTION**

CHARGER - CLASS II

LIFT - INTERNAL POWER SOURCE

**DEGREE OF SHOCK PROTECTION**

CHARGER - TYPE B

LIFT - TYPE B

SLING USE/TYPER OXFORD/HOYER GREY LOOPED

## SERVICING, REPAIRS, INSPECTIONS AND TESTING

Sunrise Medical has an established network of reputable distributors and dealers who will be pleased to handle all your purchasing, warranty, repair and maintenance enquire.

Included with each patient lift is a prepaid Customer Satisfaction card. Please take the time to fill it in and return it to your local Sunrise Medical office. Our products are guaranteed for a period of 24 months from the date of purchase.

This guarantee covers the lifts major structure, actuator, control box, handset, and battery.

In the United Kingdom, it is recommended that all of our products be commissioned by your dealer. The dealer or distributor operates the warranty programme, so it is important to keep a record of their name address and telephone number so they can be contacted should any problem arise.

If you are in doubt where your lift was purchased, Sunrise Medical can trace the supplier if you quote the serial number of the lift.

**REMEMBER Contact your distributor for purchases, Warranty, repairs, servicing and certified maintenance.**

Your distributor:

## COORDONNÉES DU FABRICANT



### EUROPE

#### Sunrise Medical Ltd

High Street, Wollaston, Stourbridge,  
West Midlands  
DY84PS UK (Royaume-Uni)  
+44 (0) 1384 44 66 22  
Fax: +44 (0) 1384 44 66 44  
[www.sunrisemedical.co.uk](http://www.sunrisemedical.co.uk)



### États-Unis

#### Sunrise Medical, Inc

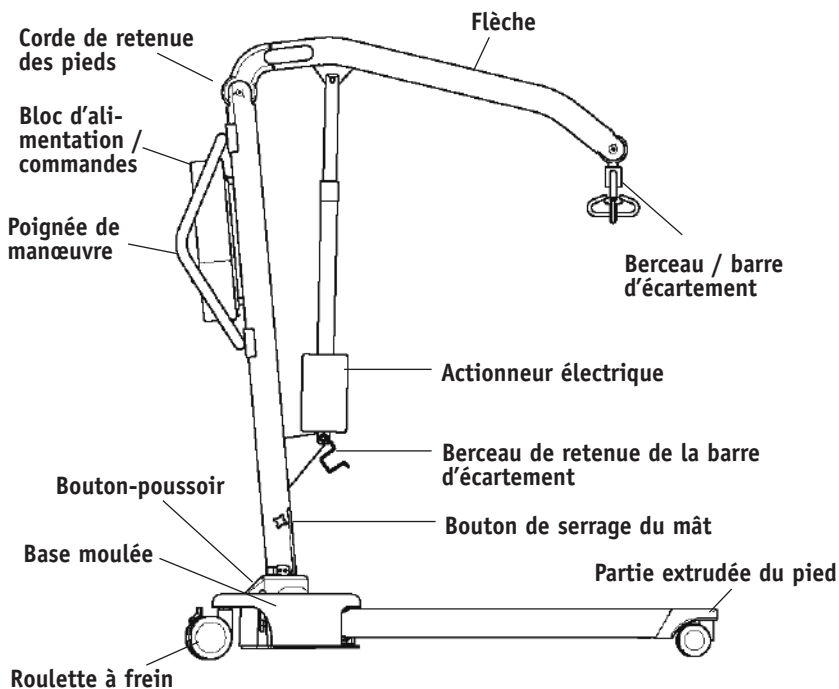
7477 East Dry Creek Parkway  
Longmont, CO 80503  
303-218-4600  
800-333-4000  
Fax: 303-263-3390  
[www.sunrisemedical.com](http://www.sunrisemedical.com)

## TABLE DES MATIÈRES

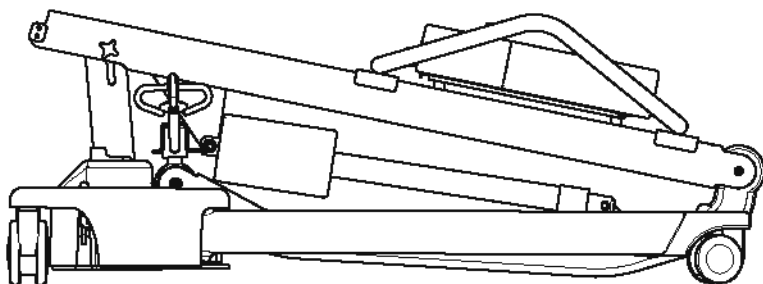
1. Le lève-personne Oxford/Hoyer Advance.....	23
2. Introduction: Le lève-personne Oxford/Hoyer Advance .....	24
3. Instructions de montage et de mise en service .....	25
4. Démontage .....	27
5. Consignes de sécurité.....	30
6. Instructions de fonctionnement .....	32
7. Périodicité d'entretien de l'appareil Oxford/Hoyer Advance.....	36
8. Spécifications techniques .....	38
9. Révisions, réparations, inspections et essais .....	40

## LE LÈVE-PERSONNE OXFORD/HOYER ADVANCE

### LÈVE-PERSONNE OXFORD/HOYER ADVANCE (PRÊT À L'EMPLOI)



### LÈVE-PERSONNE OXFORD/HOYER ADVANCE (EN POSITION DE RANGEMENT)



## INTRODUCTION : LE LÈVE-PERSONNE OXFORD/HOYER ADVANCE

### À PROPOS DE VOTRE LÈVE-PERSONNE

#### Déclaration d'utilisation prévue :

Ce dispositif est prévu pour permettre le transfert d'une personne entre deux surfaces d'appui (par exemple, d'un lit à un fauteuil roulant). Il est déconseillé de déplacer une personne à l'aide de courroies, sur QUELQUE distance que ce soit.

Le modèle Oxford/Hoyer Advance est offert en version hydraulique et en version électrique. Le présent manuel couvre les deux modèles Advance. Chaque lève-personne est entièrement monté, soumis à un essai de charge et certifié avant d'être emballé / expédié.

L'emballage se compose d'une boîte en carton robuste construite spécialement pour les expéditions intérieures et les exportations qui permet de garantir l'arrivée de l'appareil intact à destination. L'emballage de chaque lève-personne comprend une pochette contenant un certain nombre de documents qui doivent être conservés en lieu sûr pour référence future.

- CERTIFICAT D'ESSAI
- MANUEL D'UTILISATION
- CARTE DE GARANTIE DU REVENDEUR
- CARTE DE SATISFACTION

Le CERTIFICAT D'ESSAI est un document important qui doit être conservé à titre de référence. Pour entretenir correctement votre lève-personne, veuillez vous référer au tableau de périodicité d'entretien dans ce document. En cas d'incertitude concernant les normes d'entretien locales, veuillez vous renseigner auprès de votre revendeur et / ou d'un organisme gouvernemental local.

Le lève-personne Oxford/Hoyer Advance convient pour les CATÉGORIES de levage suivantes, dans les limites des paramètres appareils figurant dans les SPÉCIFICATIONS TECHNIQUES.

- Catégorie A – Fauteuil roulant
- Catégorie B – Lit
- Catégorie C – Bain (dépend du réglage)
- Catégorie D – Toilette / chaise de douche
- Catégorie E – Plancher
- Catégorie F – Rotation à 90 degrés

L'appareil Oxford/Hoyer Advance convient pour des patients ASSIS, ASSIS/ALLONGÉS ET ALLONGÉS. Les courroies convenant à ce dispositif sont décrites ci-après :

- Oxford/Hoyer, courroie Quick Fit (à montage rapide)
- Oxford/Hoyer, courroie Full Back (arrière)
- Oxford/Hoyer, courroie Quick Fit (à montage rapide) de luxe
- Oxford/Hoyer, courroie de siège longue
- Oxford/Hoyer, courroie d'accès

#### Marque CE :

L'appareil Oxford/Hoyer Advance porte la marque CE et il est conforme aux directives CE suivantes :

- Medical Device Directive (appareils médicaux) 93/42/CEE
- Directive EMC (89/336/CEE) (appareils électriques uniquement)
- Directive relative aux basses tensions (73/23/CEE) (appareils électriques uniquement)



## INSTRUCTIONS DE MONTAGE ET DE MISE EN SERVICE

### CONTENU DE LA BOÎTE

Placez la boîte sur une surface bien dégagée et ouvrez-la avec précaution. Elle contient :

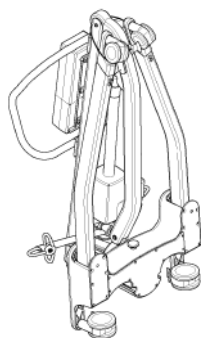
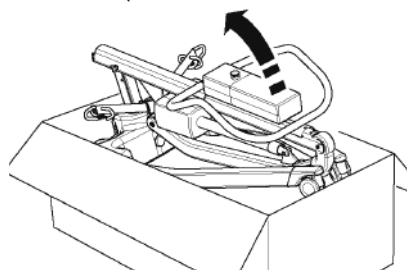
- L'APPAREIL OXFORD/HOYER ADVANCE
- UNE POCHETTTE CONTENANT DES DOCUMENTS
- UNE COMMANDE MANUELLE (modèle électrique uniquement)
- BATTERIES (modèle électrique uniquement)
- CHARGEUR DE BATTERIES AU PLOMB (modèle électrique uniquement)
- UNE UNITÉ HYDRAULIQUE (modèle hydraulique uniquement)

**REMARQUE CONCERNANT LA SÉCURITÉ**– L'appareil Oxford/Hoyer Advance est lourd et devra être soulevé avec précaution. Il est possible que vous soyez obligé(e) de vous faire aider pour soulever l'appareil Oxford/Hoyer Advance et le sortir de la boîte.

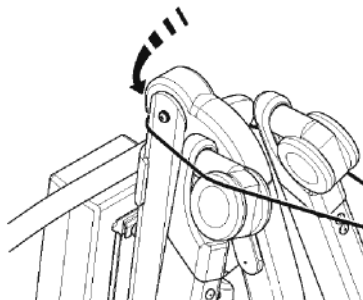
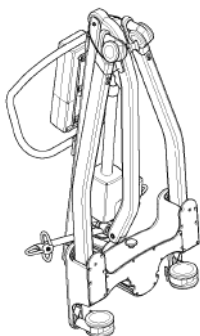
### INSTRUCTIONS DE MONTAGE

**1.** Retirez toutes les pièces de la boîte et placez-les par terre, en prenant soin de protéger le fini.

Avec précaution, soulevez l'appareil Advance de l'emballage. Mettez le lève-personne à la verticale (de manière à former un triangle).

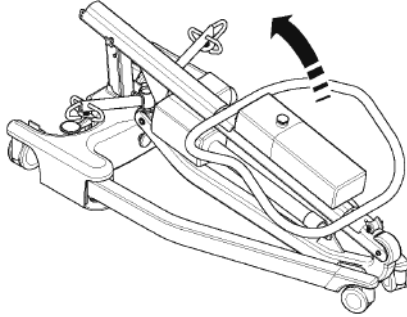


**2.** Dégagez le pied et le mât en détachant la sangle de retenue des roues. Cette sangle rentrera dans le haut de la section du mât.



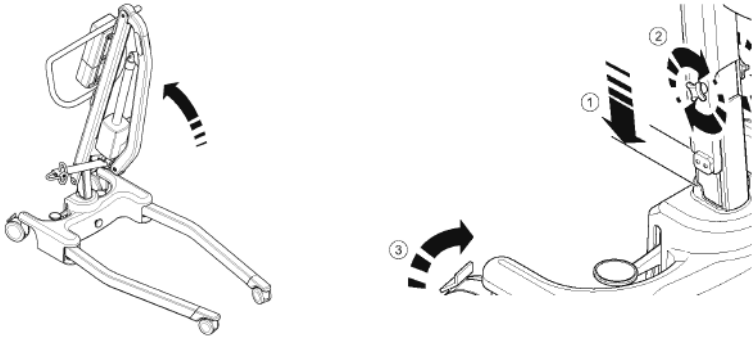


3. Mettez l'appareil Advance à plat sur le sol (assurez-vous que les roulettes arrière sont bien verrouillées)

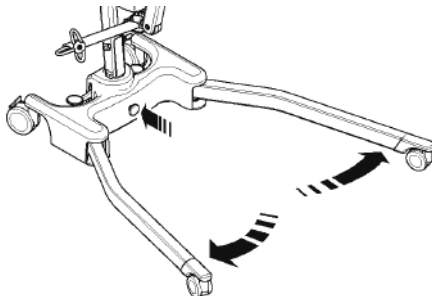


4. Soulevez le mât verticalement (utilisez le haut de la poignée de manœuvre), et laissez-le tomber dans la fente (1), serrez les boutons de verrouillage du mât (2), relâchez les roulettes à freins (3).

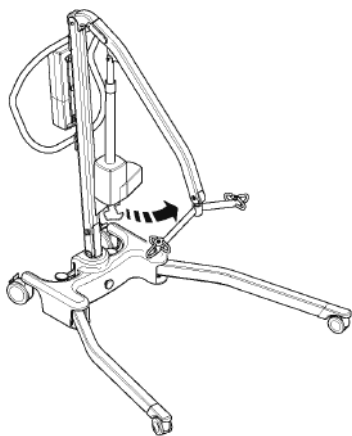
**REMARQUE CONCERNANT LA SÉCURITÉ**– Évitez de vous coincer les doigts. Lorsque vous insérez le mât dans la fente, gardez vos doigts à l'écart de l'extrémité du mât. Serrez le dispositif de verrouillage du mât, puis desserrez les freins des roulettes à l'arrière.



5. Écartez les pieds au maximum. ASSUREZ-VOUS que le bouton de verrouillage des pieds s'engage au ras de la base moulée et que les pieds sont immobilisés. Les pieds ne fonctionneront alors qu'au moyen du mécanisme à pédale situé à l'arrière de la base.

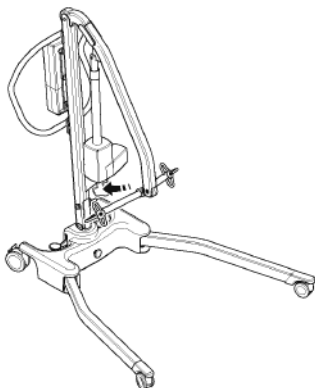


6. Dégagez la barre d'écartement du berceau de retenue et le lève-personne est désormais prêt à fonctionner.

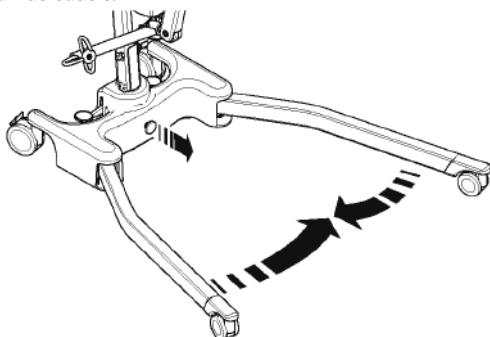


## DÉMONTAGE

1. Amenez le mât à la position la plus basse, puis insérez la barre d'écartement dans le berceau de retenue.

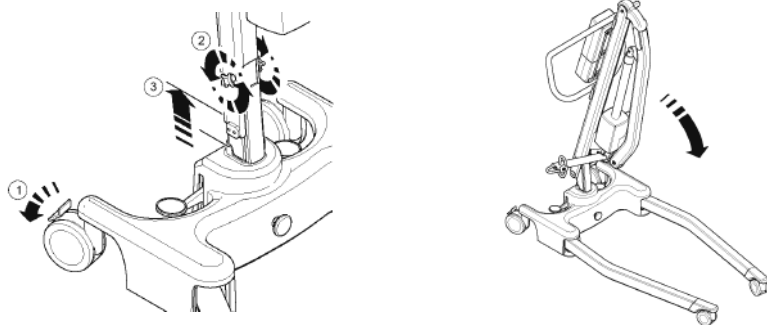


2. Relâchez le dispositif de verrouillage des pieds (en l'éloignant de la base moulée), rapprochez les pieds l'un de l'autre.

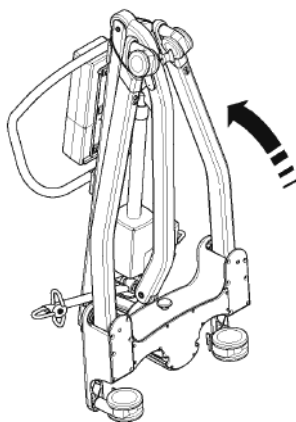


3. Desserrez le dispositif de verrouillage du mât (2) (pas entièrement), soulevez le mât et la flèche (3) et repliez-les soigneusement vers les pieds. Utilisez la poignée de manœuvre pour faciliter ce mouvement.

**REMARQUE**– Si vous souhaitez séparer complètement le mât et la flèche de la base et des pieds, détachez le dispositif de verrouillage du mât (retirez-le) et soulevez le mât et la flèche pour les sortir complètement de la base. Prenez garde à ne pas desserrer le dispositif de verrouillage, le bouton et la fusée de centrae du mât.

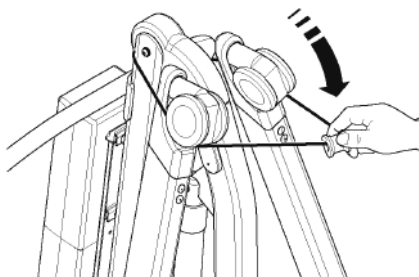


4. Soulevez l'appareil Advance verticalement (utilisez les pieds et la poignée de manœuvre comme guides) en veillant à ce que le mât et la flèche ne se séparent pas lorsque vous mettez l'appareil à la verticale.



5. D'un coup sec, tirez la sangle de retenue vers le haut et étendez-la au-dessus des roues. (Cela empêche les pieds, le mât et la flèche de se séparer durant le transport et l'entreposage.)

**REMARQUE**– Prenez des précautions pour plier et déplier un appareil Advance, car vous risquez de vous pincer les doigts, etc. Veuillez suivre les instructions à la lettre et vous faire aider si vous n'êtes par certain(e) de la procédure correcte.



## EFFECTUEZ TOUJOURS LES VÉRIFICATIONS SUIVANTES AVANT D'UTILISER L'APPAREIL :

- Les pieds sont complètement engagés depuis la position d'arrimage (voir les instructions de montage, 5)
- Le mât est complètement verrouillé en position (voir les instructions de montage, 4)
- Les pieds du lève-personne s'ouvrent et se referment de façon satisfaisante.
- Le bouton rouge d'arrêt d'urgence situé à l'arrière du boîtier de commande, est en position OFF (arrêt).
- Poussez les boutons « up » (vers le haut) et « down » (vers le bas) de la commande manuelle pour confirmer que la flèche se lève et s'abaisse.

## MODÈLES HYDRAULIQUES UNIQUEMENT

- Fermez la valve de l'unité hydraulique en tournant le bouton dans le sens horaire.

**REMARQUE**– La valve n'exige qu'un serrage minimal pour fonctionner et elle ne doit être fermée qu'à la main. N'EXERCEZ PAS de force excessive sur le bouton, car cela risque d'endommager la valve.

- Appuyez sur la poignée de l'unité hydraulique et confirmez que le vérin relève la flèche.
- Ouvrez complètement la valve en tournant dans le sens antihoraire et assurez-vous que la flèche descend. Si une flèche n'est pas chargée, son poids seul ne suffira pas à la faire descendre. Il faudra exercer une certaine pression sur la flèche pour qu'elle descende.

**REMARQUE**– La valve est complètement ouverte et arrive à une butée de fin de course en moins de deux tours complets du bouton.

## CONSIGNES DE SÉCURITÉ

Veillez lire et suivre les consignes de sécurité ci-dessous. Le fonctionnement et l'utilisation des lève-personnes Oxford/Hoyer sont simples et clairs. Si vous suivez ces quelques consignes de sécurité fondamentales, vous serez en mesure d'utiliser ce lève-personne facilement et sans problèmes.

### **AVANT D'UTILISER VOTRE LÈVE-PERSONNE « ADVANCE », LISEZ LES INSTRUCTIONS DU MANUEL D'UTILISATION ET VEILLEZ À BIEN LES COMPRENDRE**

**AVERTISSEMENT**– Consigne de sécurité importante sur un danger pouvant entraîner des blessures graves.

**ATTENTION**– Consigne de précaution pour éviter d'endommager le produit.

**REMARQUE**– Informations auxquelles il convient de prêter une attention particulière.

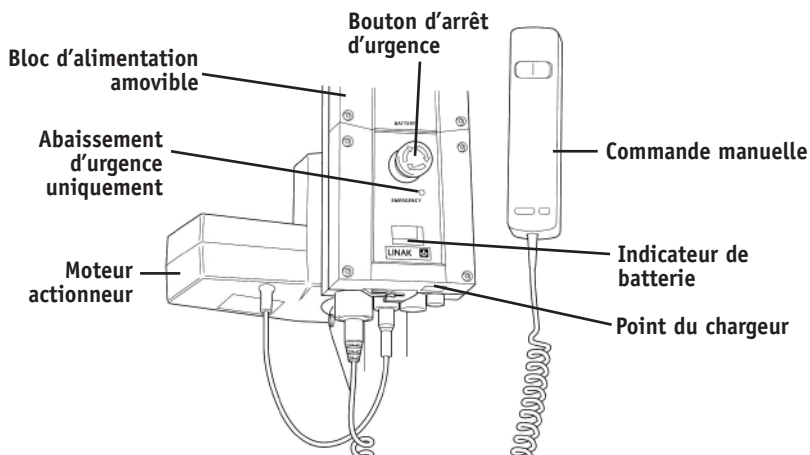
### **▲ AVERTISSEMENT**

- Planifiez **TOUJOURS** vos opérations de levage avant de commencer.
- Effectuez **TOUJOURS** les **VÉRIFICATIONS QUOTIDIENNES** (page 36) avant d'utiliser le lève-personne.
- Familiarisez-vous **TOUJOURS** avec les commandes de fonctionnement et les dispositifs de sécurité d'un lève-personne avant de soulever un patient.
- **N'UTILISEZ PAS** de courroies, à moins qu'il ne soit recommandé de les utiliser avec les lève-personnes.
- Vérifiez **TOUJOURS** que les courroies conviennent au patient et qu'elles sont de taille et de capacité correctes.
- N'utilisez **JAMAIS** une courroie effilochée ou abîmée.
- Ajustez **TOUJOURS** les courroies suivant les instructions fournies.
- Vérifiez **TOUJOURS** que la charge maximale d'utilisation du lève-personne est compatible avec le poids du patient.
- Effectuez **TOUJOURS** le levage suivant les instructions du manuel d'utilisation.
- Ne débranchez ni ne contournez **JAMAIS** une commande ou un dispositif de sécurité sous prétexte que cela semble plus facile pour utiliser le lève-personne.
- **NE SOULEVEZ PAS** un patient si les freins des roulettes sont serrés. Laissez toujours le lève-personne trouver le centre de gravité correct.
- **N'ESSAYEZ PAS** de manœuvrer le lève-personne en poussant le mât, la flèche ou le patient.
- Manœuvrez **TOUJOURS** le lève-personne à l'aide de la poignée fournie.
- Amenez **TOUJOURS** le patient à la position la plus basse et la plus confortable avant un transfert.

- **NE PUSSEZ PAS** un lève-personne chargé à des vitesses dépassant une allure de marche lente (3 kilomètres / heure, soit 0,8 mètres / seconde).
- **NE PUSSEZ PAS** le lève-personne sur un terrain accidenté, particulièrement si le lève-personne est chargé.
- **N'ESSAYEZ PAS**, si les roulettes ne peuvent pas surmonter un obstacle au sol, de pousser / tirer un lève-personne chargé. .
- **NE FORCEZ JAMAIS** une commande de fonctionnement / de sécurité. Toutes les commandes sont faciles à utiliser et ne nécessitent pas une force excessive.
- **NE RANGEZ** un lève-personne chargé sur **AUCUNE** surface inclinée.
- **N'UTILISEZ PAS** les lève-personnes électriques dans la douche.
- **NE CHARGEZ PAS** un lève-personne électrique dans une salle de bains ou une salle de douche.
- **NE SOULEVEZ PAS** un patient si vous n'avez ni l'expérience ni la compétence.
- **VOTRE** lève-personne est prévu pour soulever des patients. **NE L'UTILISEZ PAS**, et n'autorisez personne à s'en servir à d'autres fins.
- **NE HEURTEZ PAS** le lève-personnes en descendant des marches, qu'il soit chargé ou non.
- **N'ESSAYEZ PAS** de déplacer un lève-personne chargé sur une pente de plus de 1:12 (environ 5 degrés).
- **N'ESSAYEZ PAS** de monter ou de descendre une côte sans une autre personne à vos côtés.
- Vérifiez **TOUJOURS**, avant de bouger, que le lève-personne ne charge pas, car la connexion électrique peut être endommagée.

## INSTRUCTIONS DE FONCTIONNEMENT

### COMMANDES DE FONCTIONNEMENT DE L'APPAREIL OXFORD/HOYER ADVANCE



### INSTRUCTIONS DE FONCTIONNEMENT

#### 1. Réglage des pieds

Sur l'appareil Oxford/Hoyer Advance, la largeur des pieds est réglable. Ils peuvent être ouverts pour faciliter l'accès autour des fauteuils ou des chaises roulantes. Pour permettre les transferts et le passage par des portes et des endroits exigus, les pieds du lève-personne doivent être en position fermée.

Pour effectuer le réglage, appuyez à droite (VERS LE BAS) sur la pédale de réglage des pieds, située à l'arrière de la base, pour ouvrir les pieds ; appuyez à gauche (VERS LE HAUT) pour les fermer. Le réglage peut s'effectuer avec le patient sur l'appareil ; cependant, chargé ou non, l'appareil doit être en mouvement durant cette opération.

### **⚠** AVERTISSEMENT

**Ne soulevez jamais un patient lorsque les pieds sont en position fermée pour le transport. Cette position est réservée pour le rangement et le transport.**

#### 2. Roulettes et freinage

Le lève-personne comporte deux roulettes à frein, qui permettent d'immobiliser l'appareil. Durant le levage, les roulettes doivent rester libres et non freinées, afin que le lève-personne puisse se diriger vers son centre de gravité. **NE SERREZ PAS** les freins, car dans ce cas, le patient pourrait basculer vers le centre de gravité, ce qui pourrait s'avérer déconcertant et inconfortable.

### 3. Levage et abaissement de la flèche (modèles électriques)

Le mouvement de la flèche est transmis par un puissant actionneur électrique, qui est lui-même contrôlé par une simple unité de commande manuelle. La commande manuelle est munie de deux boutons sur lesquels se trouvent les flèches UP (vers le haut) et DOWN (vers le bas). L'actionneur s'arrête automatiquement en fin de course dans les deux sens. La commande manuelle se branche sur une prise située à la base du boîtier de commande. Un crochet situé à l'arrière de la commande manuelle permet de la « garer » sur le mât ou la flèche lorsqu'elle n'est pas en usage.

### 4. Arrêt d'urgence (modèle électrique uniquement)

Le bouton rouge d'arrêt d'urgence, situé à l'arrière du boîtier de commande, est activé lorsqu'on appuie dessus. Cela coupe l'alimentation du lève-personne, laquelle n'est rétablie que lorsque le bouton est tourné dans le sens antihoraire, puis relâché.

### 5. Descente d'urgence (modèle électrique uniquement)

Le bouton de descente d'urgence se trouve à l'arrière du boîtier de commande. Pour l'activer, il faut insérer la pointe d'un stylo à bille dans le bouton portant l'inscription « lower » (descente). Cela permet de faire descendre la flèche en cas de défaillance de la commande.

### 6. Descente mécanique d'urgence (descente électrique)

En cas de panne électrique totale, l'actionneur électrique est doté d'un dispositif de descente mécanique (BOSSAGE ROUGE). Celui-ci ne fonctionne que lorsque le lève-personne est chargé. Ce dispositif doit être tiré vers le haut pour s'activer après quoi une descente lente va commencer.

## 7. Batteries

Les batteries sont protégées contre les décharges poussées par une ALARME DE BASSE TENSION. Celle-ci retentit lorsque les batteries demandent à être rechargées et que la commande manuelle est en usage. Elle ne retentit pas si la commande manuelle n'est pas en usage. **ATTENTION : NE NÉGLIGEZ PAS CETTE ALARME.** Achevez le levage et mettez l'appareil sous charge (voir instructions de charge).

### 8. Levage et abaissement de la flèche (modèles hydrauliques)

Le levage et l'abaissement de la flèche sont réalisés grâce à un puissant vérin hydraulique, actionné par deux simples commandes : la valve, qui est identifiée par un bouton argent en forme d'étoile, et la poignée de la pompe, un long levier situé sur le côté de l'unité hydraulique, qui permet de relever la flèche. Pour fermer la valve, tournez doucement le bouton à fond dans le sens horaire. Lorsqu'elle est fermée, actionnez la longue poignée par mouvements réguliers pour obtenir un effet maximal. La poignée décrit un arc de 90 degrés à partir de la position verticale. Laissez la poignée à la verticale lorsqu'elle n'est pas en usage.

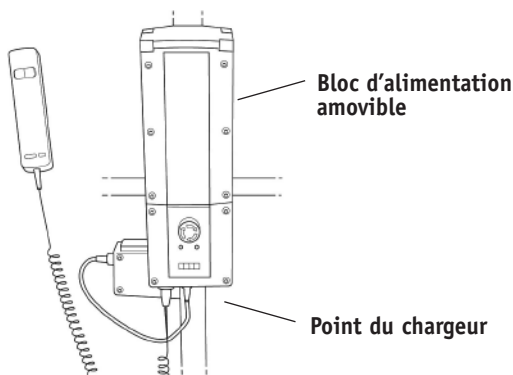


NE FORCEZ PAS la poignée au-delà des butées supérieure ou inférieure. L'unité hydraulique peut être tournée pour permettre l'utilisation de la poignée de l'un ou l'autre côté du lève-personne. Pour abaisser la flèche, tournez la valve dans le sens antihoraire. Cette valve a un effet progressif, plus elle est ouverte, plus la descente est rapide. Elle a une action limitée, de sorte que même lorsqu'elle est complètement ouverte, la descente est contrôlée. Cela permet une descente « mains libres ». Si la valve est ouverte d'une fraction (un quart de tour), la vitesse de descente très lente laisse les « mains libres » à l'intervenant(e) et lui permet d'aider ou de reconforter le patient. N'OUBLIEZ PAS de fermer la valve avant de commencer à soulever le patient. Pour s'ouvrir ou se fermer, la valve ne nécessite qu'une légère pression. N'EXERCEZ PAS une force excessive sur la valve, que ce soit pour la fermer ou pour l'ouvrir. Cela n'est pas nécessaire et n'aurait pour effet que d'endommager la valve.

## 9. Courroies

La courroie sélectionnée est attachée aux crochets de la barre d'écartement, et chaque courroie est accompagnée d'instructions. Veuillez étudier le guide d'instructions du lève-personne et des courroies avant de les utiliser. Une fois la courroie correcte sélectionnée pour le patient, attachez-la aux crochets de la barre d'écartement.

## INSTRUCTIONS DE CHARGE DU LÈVE-PERSONNE OXFORD/HOYER ADVANCE



Les batteries sont situées dans le bloc d'alimentation et elles sont rechargées au moyen d'une prise qui se trouve à la base du boîtier de commande.

1. Insérez la fiche d'alimentation dans le point du chargeur à la base du boîtier de commande. Pour l'insérer, poussez la fiche en ligne droite. NE TOURNEZ PAS la fiche dans la prise.
2. Branchez le fil / le cordon du chargeur sur une prise de courant appropriée et ACTIVEZ l'alimentation principale.
3. La charge est entièrement automatique. L'affichage à cristaux liquides indique l'état de la charge. Remarque : Même si le chargeur reste branché pendant très longtemps, cela n'entraînera pas la « surcharge » des batteries.
4. Pour remettre le lève-personne en service, COUPEZ l'alimentation principale, retirez la prise du chargeur et débranchez-la de l'alimentation principale.

## AVERTISSEMENT

- **AVERTISSEMENT** Avant de bouger, vérifiez que le lève-personne ne charge pas car la connexion électrique peut être endommagée.
- **ATTENTION** : Gardez les batteries complètement chargées. Mettez le lève-personne sous charge lorsqu'il n'est pas en usage. Le chargeur ne « surchargera » pas les batteries.
- **ATTENTION** : Ne laissez jamais les batteries se décharger complètement. Si l'avertisseur audible retentit, terminez le levage en cours et mettez le lève-personne sous charge.
- **ATTENTION** : Ne rangez jamais le lève-personne pendant des périodes prolongées sans le recharger à intervalles réguliers durant ces périodes.
- **ATTENTION** : Veillez à toujours couper l'alimentation principale du chargeur avant de le brancher ou de le débrancher de l'appareil.
- **ATTENTION** : Ne laissez jamais le chargeur branché sur le lève-personne lorsque l'alimentation principale est coupée.
- **ATTENTION** : Ne débranchez jamais le chargeur en tirant sur le câble.

## PÉRIODICITÉ D'ENTRETIEN DE L'APPAREIL OXFORD/HOYER ADVANCE

Tous les produits Oxford/Hoyer sont conçus de manière à ne nécessiter qu'un entretien minimal ; toutefois, certaines vérifications et procédures de sécurité sont nécessaires. Un tableau des tâches QUOTIDIENNES est présenté ci-après. Une liste de pièces détachées est disponible sur demande.

### LISTE DE VÉRIFICATIONS QUOTIDIENNES

Sunrise Medical conseille fortement d'effectuer les vérifications suivantes chaque jour et avant d'utiliser le lève-personne.

- ASSUREZ-VOUS que le lève-personne se déplace facilement sur ses roulettes.
- ASSUREZ-VOUS que la barre d'écartement tourne et pivote facilement. Vérifiez qu'elle est bien fixée sur la flèche.
- RECHERCHEZ les signes d'usure sur les crochets des courroies de la barre d'écartement et sur les dispositifs de suspension latéraux. Dans le doute, ne les utilisez pas.
- RECHERCHEZ sur les courroies les signes d'effilochage ou d'autres dommages. N'UTILISEZ PAS les courroies si elles sont endommagées.
- ASSUREZ-VOUS que les pieds s'ouvrent et se referment correctement.
- ACTIONNEZ la commande manuelle ou l'unité hydraulique pour confirmer que la flèche se lève et s'abaisse normalement.
- ASSUREZ-VOUS que l'alarme de batterie faible ne se déclenche pas lorsque la commande manuelle est actionnée (lève-personne électrique uniquement). Si l'alarme retentit, N'UTILISEZ PAS l'appareil et mettez-le sous charge immédiatement.
- Les appareils électriques ACTIVÉS permettent de vérifier le fonctionnement du bouton d'arrêt d'urgence.
- Les appareils hydrauliques EN MARCHÉ permettent de vérifier l'absence de fuites de fluide hydraulique. Toute fuite doit être signalée immédiatement à un ingénieur services et l'appareil ne doit pas être utilisé avant d'avoir été révisé.

### ENTRETIEN, INSPECTION ET ESSAIS

Sunrise Medical recommande d'effectuer régulièrement une inspection et des essais poussés du lève-personne Oxford/Hoyer Advance et des accessoires, courroies, etc. La fréquence des inspections varie d'un pays à un autre. Vous devez donc vous renseigner auprès des autorités gouvernementales locales sur la périodicité requise des inspections. Les examens et les essais doivent être effectués suivant les recommandations et les procédures énoncées ci-après. Dans la mesure du possible, Sunrise Medical recommande que l'entretien, les inspections et les essais certifiés soient effectués uniquement par un agent d'entretien ou un revendeur agréé.

**REMARQUE—** Ces recommandations sont conformes aux normes d'Hygiène et de Sécurité No2307 de 1998. Réglementations sur les opérations et l'équipement de levage 1998. Il s'agit d'une réglementation du Royaume-Uni. En dehors du Royaume-Uni, veuillez vous renseigner sur les règlements de votre pays.

## \*CES VÉRIFICATIONS DOIVENT PORTER SUR :

	Initialement	Avant utilisation	Intervalles d'entretien
1. <b>BARRE D'ÉCARTEMENT</b> : Vérifiez que la barre d'écartement tourne et pivote librement. Vérifiez l'absence d'usure sur le pivot central. Assurez-vous qu'elle est solidement fixée sur la flèche.	✓	✓	
2. <b>FLÈCHE</b> : Vérifiez que la flèche est fixée sur le mât. Assurez-vous que le mouvement latéral de la flèche est minimal et qu'elle tourne librement sur son roulement.	✓	✓	
3. <b>MÂT</b> : Vérifiez le fonctionnement du dispositif de verrouillage du mât. Assurez-vous que le mât s'engage entièrement dans la douille. Vérifiez le montage de l'actionneur inférieur ou de l'unité hydraulique.	✓	✓	
4. <b>ACTIONNEUR (modèle électrique uniquement)</b> : Hormis la vérification du bon fonctionnement et la recherche de bruits inhabituels, l'actionneur ne nécessite en principe aucun entretien.			✓
5. <b>BLOC D'ALIMENTATION (modèle électrique uniquement)</b> : Vérifiez le fonctionnement des boutons d'arrêt d'urgence et de descente d'urgence.	✓	✓	
6. <b>BATTERIES (modèle électrique uniquement)</b> : Les batteries sont logées dans le bloc d'alimentation et, à l'exception de recharges régulières effectuées conformément aux instructions de charge, elles ne nécessitent en principe aucun entretien. Veillez à ce que les connexions restent propres.			✓
7. <b>UNITÉ HYDRAULIQUE</b> : À l'exception de la vérification du bon fonctionnement et de la détection de fuites de fluide hydraulique, l'unité hydraulique ne nécessite en principe aucun entretien.		✓	✓
8. <b>RÉGLAGE DES PIEDS</b> : Vérifiez que les pieds s'étendent complètement dans les deux sens (vers l'intérieur et vers l'extérieur).	✓	✓	
9. <b>ROULETTES</b> : Vérifiez que toutes les roulettes sont solidement fixées sur les pieds. Vérifiez que les roulettes et les roues tournent librement.	✓	✓	
10. <b>NETTOYAGE</b> : Nettoyez au savon ordinaire et à l'eau et /ou avec un désinfectant pour surfaces dures. Les produits de nettoyage chimiques corrosifs ou les abrasifs doivent être évités, car ils peuvent endommager la fini du lève-personne. Évitez de mouiller les pièces électriques.			✓
11. <b>ESSAI DE CHARGE</b> : L'essai de charge doit être effectué conformément aux procédures d'essai préconisées par le fabricant.			✓
12. <b>Base et roues</b> : Assurez-vous que la base est régulière et nivelée (les quatre roues reposent sur le sol).	✓	✓	
13. <b>COURROIES</b> : Vérifiez l'absence d'usure et d'effilochure.		✓	
14. <b>LUBRIFICATION</b> : Huilez les joints pivotants, y compris les pièces reliant le mât et la flèche, l'ensemble de la pédale, la barre d'écartement et le joint (seulement si nécessaire).			✓

## SPÉCIFICATIONS TECHNIQUES DU MODÈLE OXFORD/HOYER ADVANCE

### MODÈLES ÉLECTRIQUE ET HYDRAULIQUE

Spécification	Électrique		Hydraulique	
Charge maximale d'utilisation	342 livres	155Kgs	342 livres	155Kgs
Longueur maximale hors tout	49,2 pouces	1250mm	49,2 pouces	1250mm
Longueur minimale hors tout	47,2 pouces	1200mm	47,2 pouces	1200mm
Hauteur maximale hors tout	72,6 pouces	1845mm	72,6 pouces	1845mm
Hauteur minimale hors tout	53,1 pouces	1350mm	53,1 pouces	1350mm
<b>Dimensions de l'appareil replié</b>				
Hauteur	18,5 pouces	470mm	18,5 pouces	470mm
Profondeur	49,2 pouces	1250mm	49,2 pouces	1250mm
Largeur	21,6 pouces	550mm	21,6 pouces	550mm
Hauteur maximale de la barre d'écartement	64,6 pouces	1640mm	64,6 pouces	1640mm
Hauteur minimale de la barre d'écartement (utilisable)	15,4 pouces	390mm	15,4 pouces	390mm
Hauteur à portée maximale	33,5 pouces	850mm	33,5 pouces	850mm
Portée à hauteur maximale	28,0 pouces	710mm	28,0 pouces	710mm
Portée à hauteur minimale	15,4 pouces	390mm	15,4 pouces	390mm
Portée maximale*	33,5 pouces	850mm	33,5 pouces	850mm
Rayon de braquage	41,0 pouces	1040mm	41,0 pouces	1040mm
Pieds ouverts – largeur extérieure	43,7 pouces	1110mm	43,7 pouces	1110mm
Pieds ouverts – largeur intérieure	45,7 pouces	1160mm	45,7 pouces	1160mm
Pieds fermés – largeur extérieure	25,2 pouces	640mm	25,2 pouces	640mm
Pieds fermés – largeur intérieure	21,7 pouces	550mm	21,7 pouces	550mm
Hauteur des pieds, hors tout	4,7 pouces	120mm	4,7 pouces	120mm
Garde au sol	1,2 pouces	30mm	1,2 pouces	30mm
Roulettes jumelées avant	3,0 pouces	75mm	3 pouces	75mm
Roulettes arrière à freins	4,0 pouces	100mm	4 pouces	100mm

\*Portée = distance entre le centre de la barre d'écartement et l'avant du mât

### Poids

Ensemble mât, base et flèche	63,7 livres	28,9kgs	63,7 livres	26,8kgs
Bloc d'alimentation	6,2 livres	2,8kgs	N/A	
Total	69,9 livres	31,7kgs	59 livres	26,8kgs
Base (sans la batterie)	32,9 livres	14,9kgs	32,9 livres	14,9kgs
Mât et flèche (sans la batterie)	30,9 livres	14,00kgs	26,3 livres	11,9kgs

Toutes les mesures sont indiquées avec une tolérance de +5 / -5.

**SPÉCIFICATIONS ÉLECTRIQUES**

BATTERIES 2 de 12 volts, type plomb-acide, scellées rechargeables

CAPACITÉ DES BATTERIES 3,2 A / h

VALEURS NOMINALES D'ENTRÉE DU CHARGEUR 230 Vca, 50 / 60 Hz

VALEURS NOMINALES DE SORTIE DU CHARGEUR 27,4 / 29,0 Vcc à 0,8 A

**PROTECTION CONTRE LES DÉCHARGES ÉLECTRIQUES**

CHARGEUR – CLASSE II

LÈVE-PERSONNE – SOURCE D'ALIMENTATION INTERNE

**DEGRÉ DE PROTECTION CONTRE LES DÉCHARGES**

CHARGEUR – TYPE B

LÈVE-PERSONNE – TYPE B

COURROIE / TYPE OXFORD/HOYER, GRISE, EN BOUCLE

## RÉVISIONS, RÉPARATIONS, INSPECTIONS ET ESSAIS

Sunrise Medical dispose d'un réseau établi de distributeurs et revendeurs réputés qui se feront un plaisir de répondre à toutes vos questions concernant l'achat, la garantie, les réparations et l'entretien.

Vous trouverez avec chaque lève-personne une carte de satisfaction prépayée. Veuillez prendre le temps de la remplir et de la renvoyer à l'agence Sunrise Medical la plus proche de votre domicile. Nos produits sont garantis 24 mois à compter de la date d'achat.

La présente garantie couvre la structure, l'actionneur, le boîtier de commande, le combiné et la batterie du lève-personne.

Au Royaume-Uni, la mise en service de nos produits doit en principe être effectuée par votre revendeur. C'est ce dernier, ou le distributeur qui est responsable du programme de garantie. Il est donc important de conserver leurs noms, adresses et numéros de téléphone afin de pouvoir les joindre si un problème survient.

Si vous ne savez pas où l'appareil a été acheté, son numéro de série permettra à Sunrise Medical de localiser le fournisseur.

**N'OUBLIEZ PAS de contacter votre distributeur au sujet d'achats, de garantie, de réparations, et révisions et d'entretien certifié.**

Votre distributeur :

## DETALLES DE CONTACTO DEL FABRICANTE



### EUROPA

#### Sunrise Medical Ltd

High Street, Wollaston, Stourbridge,  
West Midlands  
DY84PS UK  
+44 (0) 1384 44 66 22  
Fax: +44 (0) 1384 44 66 44  
[www.sunrisemedical.co.uk](http://www.sunrisemedical.co.uk)



### EE.UU.

#### Sunrise Medical, Inc

7477 East Dry Creek Parkway  
Longmont, CO 80503  
303-218-4600  
800-333-4000  
Fax: 303-263-3390  
[www.sunrisemedical.com](http://www.sunrisemedical.com)

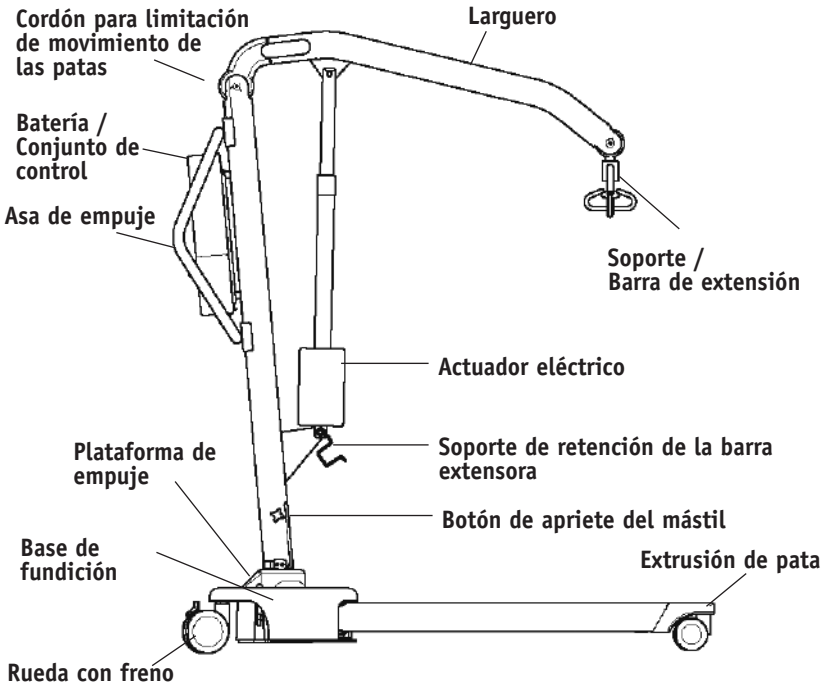
## ÍNDICE

1. Elevador para pacientes Oxford/Hoyer Advance .....	43
2. Introducción .....	44
3. Instrucciones de montaje y encargo .....	45
4. Desmontaje .....	47
5. Precauciones de seguridad .....	50
6. Instrucciones de funcionamiento.....	52
7. Plan de mantenimiento .....	56
8. Especificaciones técnicas .....	58
9. Servicio, reparaciones, inspecciones y comprobación.....	60

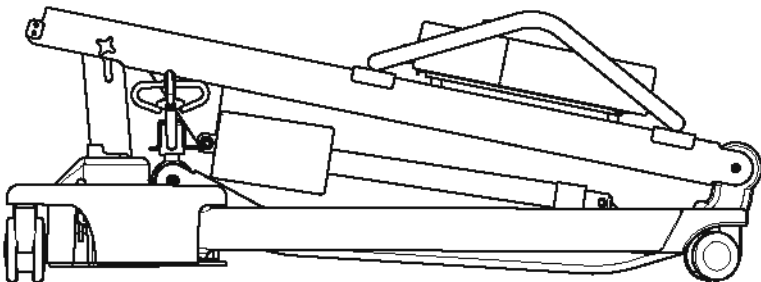


## ELEVADOR PARA PACIENTES OXFORD/HOYER ADVANCE

### ELEVADOR OXFORD/HOYER ADVANCE (PREPARADO PARA SU USO)



### ELEVADOR OXFORD/HOYER ADVANCE (POSICIÓN DE ALMACENAMIENTO)



## INTRODUCCIÓN

### GENERALIDADES SOBRE EL ELEVADOR

#### Declaración de uso al que está destinado:

El uso al que está destinado este dispositivo de elevación es trasladar a una persona de una superficie de descanso a otra (por ejemplo, de una cama a una silla de ruedas.) No se recomienda mover a la persona en una eslinga a NINGUNA distancia dada.

El Oxford/Hoyer Advance está disponible en dos versiones, con funcionamiento hidráulico y con funcionamiento eléctrico. Este manual describe ambos modelos Advance. Cada elevador está completamente montado, y ha sido verificado y certificado antes de ser embalado y enviado.

El embalaje consta de una caja de cartón resistente, hecha a medida, y se utiliza tanto para los envíos nacionales como para las exportaciones para asegurar que el equipo llegue intacto a su destino. Con cada elevador se envía una bolsa con varios documentos; esta bolsa debe conservarse para su consulta futura.

- CERTIFICADO DE VERIFICACIÓN
- MANUAL DEL USUARIO
- TARJETA DE GARANTÍA DEL PROVEEDOR
- TARJETA DE SATISFACCIÓN DEL CLIENTE

El CERTIFICADO DE VERIFICACIÓN es un documento importante y debe conservarse para su consulta. Para mantener adecuadamente su elevador, consulte el plan de mantenimiento incluido en este documento. Si no está seguro de cuáles son los requisitos de mantenimiento en su área geográfica, consulte a su proveedor y/o a una oficina de la administración local.

El Oxford/Hoyer Advance es adecuado para las siguientes CATEGORÍAS de elevador dentro de los parámetros de trabajo de los elevadores especificados en las ESPECIFICACIONES TÉCNICAS.

- Categoría A – Silla de ruedas
- Categoría B – Cama
- Categoría C – Baño (dependiendo de los ajustes)
- Categoría D – Silla para lavabo/ducha
- Categoría E – Suelo
- Categoría F – Rotación de 90 grados

El Oxford/Hoyer Advance es adecuado para pacientes en las siguientes posiciones: SENTADO, SENTADO/RECOSTADO y RECOSTADO. Las eslingas adecuadas para este dispositivo son las siguientes.

- Eslinga Oxford/Hoyer Quick fit
- Eslinga Oxford/Hoyer Full back
- Eslinga Oxford/Hoyer Quick fit deluxe
- Eslinga Oxford/Hoyer Long seat
- Eslinga Oxford/Hoyer Access

#### La marca CE:



El Oxford/Hoyer Advance lleva la marca CE y cumple con las siguientes directivas de la CE:

Directiva de Dispositivos Médicos (93/42/EEC)

Directiva EMC (89/336/EEC) (Sólo componentes eléctricos)

Directiva de bajo voltaje (73/23/EEC) (Sólo componentes eléctricos)

## INSTRUCCIONES DE MONTAJE Y ENCARGO

### CONTENIDO DE LA CAJA

Coloque la caja en una zona de trabajo despejada y ábrala con cuidado. La caja contiene:

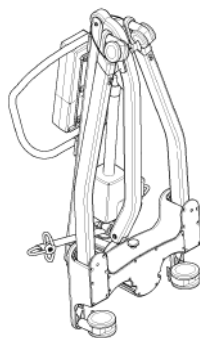
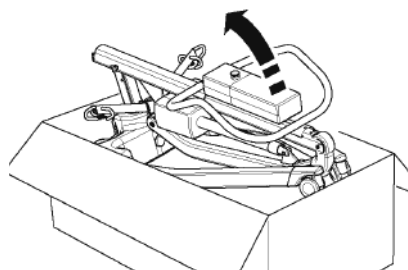
- OXFORD/HOYER ADVANCE
- BOLSA CONTENIENDO DOCUMENTOS
- CONTROL DE MANO (sólo eléctrico)
- CONJUNTO DE BATERÍA (sólo eléctrico)
- TERMINAL DE CARGA DE BATERÍA (sólo eléctrico)
- UNIDAD HIDRÁULICA (sólo hidráulica)

**NOTA DE SEGURIDAD**– El Oxford/Hoyer Advance es pesado y habrá que tener cuidado al levantarlo. Puede que necesite ayuda para levantar el Oxford/Hoyer Advance de la caja.

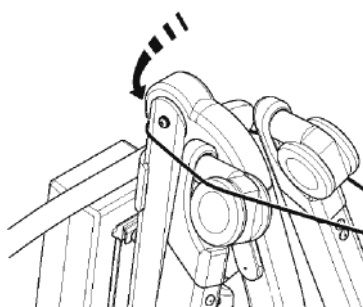
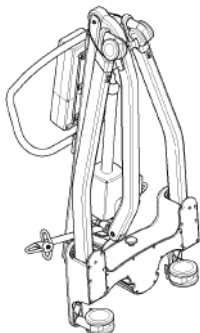
### INSTRUCCIONES DE MONTAJE

**1.** Retire todas las piezas de la caja y colóquelas en el suelo, con cuidado de proteger el equipo de daños en su superficie.

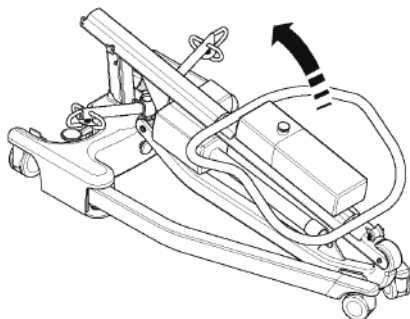
Levante el Advance con cuidado de la caja. Ponga el elevador en posición hacia arriba (en posición triangular).



**2.** Suelte la pata y el conjunto del mástil aflojando la correa de retención de las ruedas. Esta correa se retrae completamente en la parte superior de la sección del mástil.

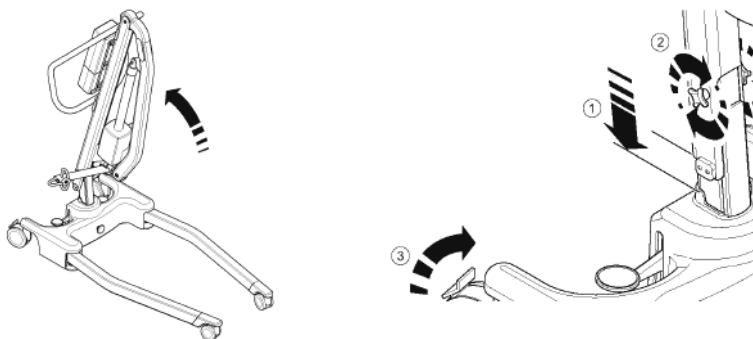


3. Ponga el Advance plano sobre el suelo (asegúrese de que las ruedas traseras están bloqueadas).

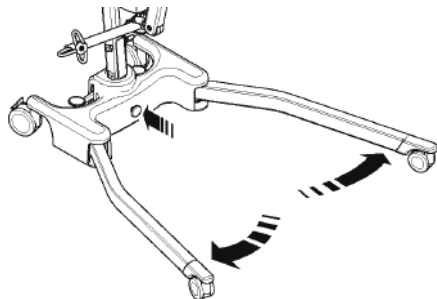


4. Levante el mástil hacia arriba (utilizando la parte superior del asa de empuje), y deje caer el mástil en la ranura (1), apriete los botones de bloqueo del mástil (2) y suelte las ruedas con freno (3).

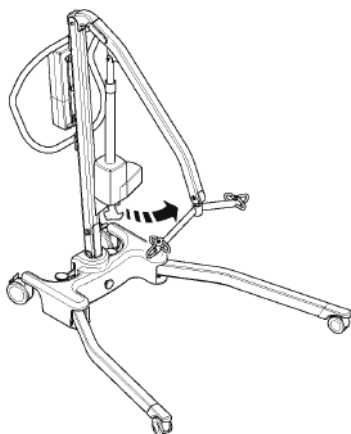
**NOTA DE SEGURIDAD**— Evite que los dedos queden atrapados. Mantenga los dedos alejados del extremo del mástil al insertarlo en la ranura del mástil. Apriete el dispositivo de bloqueo del mástil y libere las ruedas con freno en la parte posterior.



5. Abra las patas completamente. ASEGÚRESE de que el botón de bloqueo de la pata se inserta alineadamente contra la base de fundición y que las patas no se mueven ya libremente. Las patas solamente funcionarán mediante el uso del mecanismo de pedal situado en la parte posterior de la base.

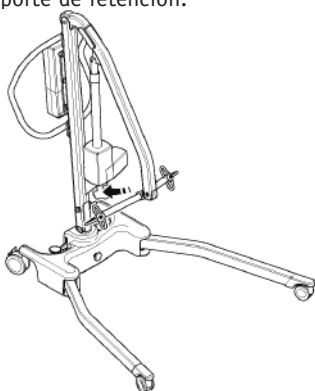


- Libere la barra de extensión del soporte de retención y el elevador estará listo para su funcionamiento.

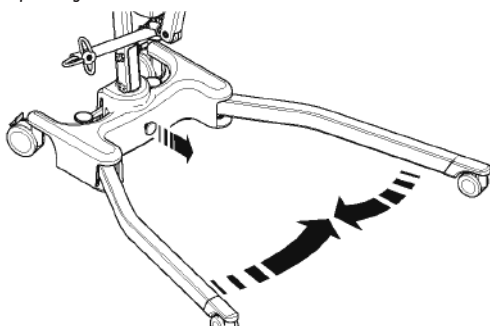


## DESMONTAJE

- Haga descender el mástil hasta la posición más baja posible, y después inserte la barra de extensión en el soporte de retención.

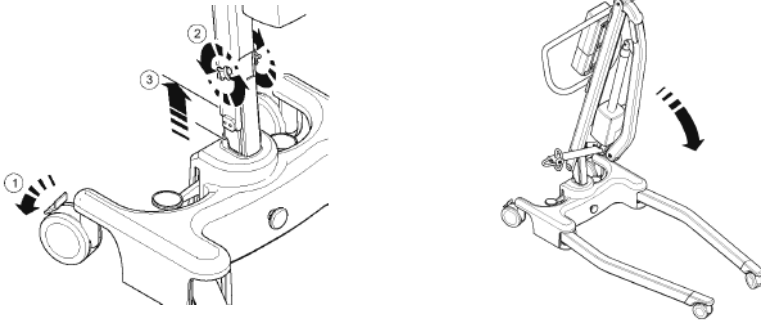


- Libere el dispositivo de bloqueo de la pata (tirando hacia fuera desde la base de fundición), cierre las patas juntas.

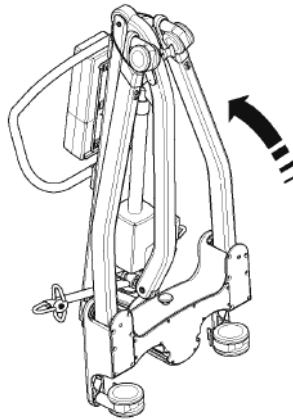


**3.** Afloje el dispositivo de bloqueo del mástil (2 – no completamente), levante el conjunto del mástil y del larguero (3) y pliegue con cuidado hacia las patas. Utilice el asa de empuje para ayudar en este movimiento.

**NOTA–** Si desea separar el mástil y el larguero completamente de la base y las patas, deshaga el dispositivo de bloqueo del mástil completamente (retirar) y levante el mástil y el larguero completamente para que queden libres desde la base. Tenga cuidado de no aflojar el dispositivo de bloqueo, el botón y el eje de localización del mástil.

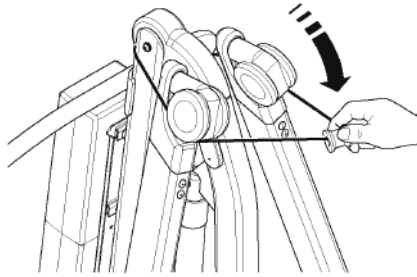


**4.** Levante el Advance plegado hacia arriba (utilizando las patas y el asa de empuje como guía), con cuidado de que el mástil y el larguero estén juntos al inclinarlo hacia arriba.



**5.** Tire de la correa de retención hacia arriba y extiéndala sobre las ruedas. (Esto mantendrá las patas, el mástil y el larguero juntos durante el transporte y almacenamiento).

**NOTA-** Tenga cuidado al plegar/desplegar el Advance, ya que hay peligro de que queden atrapados los dedos, etc. Por favor, siga las instrucciones cuidadosamente y pida ayuda si no está seguro del procedimiento correcto.



### VERIFIQUE SIEMPRE LO SIGUIENTE ANTES DEL FUNCIONAMIENTO

- \* Las patas están completamente desplegadas desde la posición de guardadas (vea las instrucciones de montaje, 5)
- \* El mástil está completamente fijo en su posición (vea las instrucciones de montaje, 4)
- \* Las patas del elevador se abren y cierran satisfactoriamente.
- \* El botón rojo de emergencia, situado en la parte posterior del cuadro de control, está en posición OFF (apagado).
- \* Pulse los botones hacia arriba y hacia abajo del control de mano y confirme que el larguero sube y baja.

### SÓLO MODELOS HIDRÁULICOS

- \* Cierre la válvula de liberación de la unidad hidráulica girando el botón en el sentido de las agujas del reloj en el equipo.

**NOTA-** La válvula de liberación sólo requiere un apriete mínimo para funcionar, y sólo debe cerrarse mediante apriete con los dedos. NO aplique excesiva fuerza al botón de la válvula, ya que esto podría provocar daños a la válvula.

- \* Bombee con el mango de la unidad hidráulica y confirme que el ariete eleva el larguero.
- \* Abra la válvula de liberación completamente en el sentido contrario a las agujas del reloj y compruebe que el larguero desciende. Un larguero no cargado no descenderá con su propio peso. Será necesario aplicar presión al larguero para que descienda.

**NOTA-** La válvula de liberación está completamente abierta y encuentra un tope positivo en menos de dos giros completos del botón.

## PRECAUCIONES DE SEGURIDAD

Por favor, lea y siga las precauciones de seguridad que figuran más abajo. El funcionamiento y uso del elevador para pacientes Oxford/Hoyer es sencillo y fácil de comprender. Siguiendo estas precauciones básicas de seguridad, las operaciones de elevación serán fáciles y estarán libres de problemas.

### LEA Y COMPRENDA EL MANUAL DE INSTRUCCIONES DEL USUARIO ANTES DE UTILIZAR SU ELEVADOR "ADVANCE"

**ADVERTENCIA**– Información de seguridad importante sobre peligros que podrían ocasionar lesiones serias.

**PRECAUCIÓN**– Información para evitar daños al aparato.

**NOTA**– Información a la cual usted debe prestar atención especial.

### ADVERTENCIA

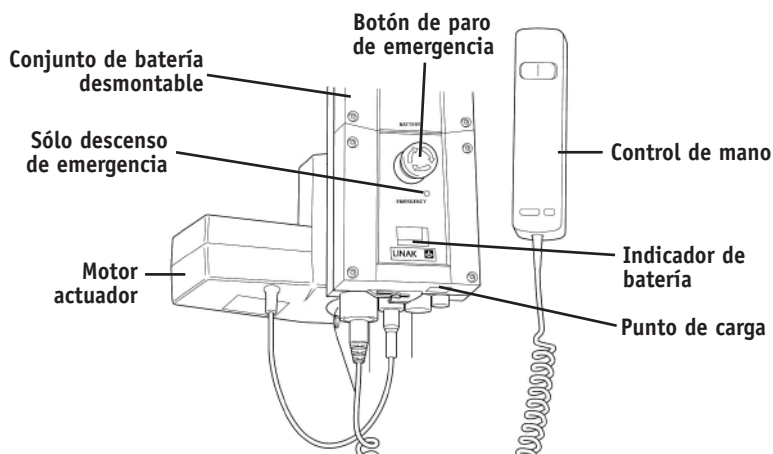
- **SIEMPRE** planifique sus operaciones de elevación antes de comenzar.
- **SIEMPRE** verifique la LISTA DE COMPROBACIÓN DIARIA (página 56) antes de utilizar el elevador.
- **SIEMPRE** familiarícese con el control de funcionamiento y características de seguridad de un elevador antes de levantar a un paciente.
- **NO** utilice una eslinga a no ser que esté recomendada para su uso con el elevador.
- **SIEMPRE** verifique que la eslinga es adecuada para el paciente en particular y que es del tamaño y capacidad correcta.
- **NUNCA** utilice una eslinga que esté deshilachada o dañada.
- **SIEMPRE** encaje la eslinga de acuerdo con las instrucciones que se indican
- **SIEMPRE** compruebe que la carga de trabajo de seguridad del elevador es adecuada para el peso del paciente.
- **SIEMPRE** lleve a cabo las operaciones de elevación de acuerdo con las instrucciones en el manual del usuario.
- **NUNCA** desconecte o deje de realizar un control de seguridad o característica de seguridad porque parezca más fácil para el funcionamiento del elevador.
- **NO** levante a un paciente con los frenos de las ruedas activados. Deje siempre que el elevador encuentre el centro correcto de gravedad.
- **NO** intente maniobrar el elevador empujando el mástil, el larguero o al paciente.
- **SIEMPRE** maniobre el elevador por el asidero.
- **SIEMPRE** haga descender al paciente a la posición cómoda más baja posible antes de transferirlo.



- **NO empuje un elevador cargado a velocidades que superen un ritmo de caminar lento (3 kilómetros/hora, 0,8 metros/segundo).**
- **NO empuje el elevador sobre terreno desnivelado o rugoso. Especialmente, si está cargado.**
- **NO intente empujar/tirar de un elevador cargado sobre una obstrucción en el suelo, que las ruedas no sean capaces de salvar.**
- **NUNCA fuerce un control de funcionamiento/seguridad. Todos los controles son fáciles de utilizar y no requieren el uso de una fuerza excesiva.**
- **NO aparque un elevador cargado sobre NINGUNA superficie en cuesta.**
- **NO utilice elevadores eléctricos en una ducha.**
- **NO cargue un elevador eléctrico en un baño o en una ducha.**
- **NO levante a un paciente a no ser que esté entrenado y sea competente para hacerlo.**
- **SU elevador está destinado a levantar pacientes. NO lo utilice, ni permita que se utilice, para cualquier otro fin.**
- **NO lleve el elevador dando tumbos hacia abajo en escaleras, tanto si está cargado como si está descargado.**
- **NO intente pasar con un elevador cargado por una pendiente que supere 1:12 (aproximadamente 5 grados).**
- **NO intente pasar con el elevador por una pendiente sin que haya alguien para ayudarlo.**
- **SIEMPRE compruebe que el elevador no esté cargándose antes de moverlo, ya que la conexión eléctrica podría dañarse.**

## INSTRUCCIONES DE FUNCIONAMIENTO

### CONTROLES DE FUNCIONAMIENTO PARA EL OXFORD/HOYER ADVANCE



### INSTRUCCIONES DE FUNCIONAMIENTO

#### 1. Ajuste de las patas

Las patas del Oxford/Hoyer Advance son ajustables en cuanto a su anchura. Las patas pueden abrirse para permitir el acceso alrededor de sillas o de sillas de ruedas. Para transferir y para pasar por pasillos estrechos, las patas del elevador deben estar en posición cerrada.

Para conseguir el ajuste, el pedal de ajustador de pata, situado en la parte posterior de la base, se comprime a la derecha (ABAJO) para abrir las patas hacia fuera y a la izquierda (ARRIBA) para cerrar las patas. El ajuste se puede realizar con el paciente en el elevador, pero tanto si el aparato está cargado como si está descargado, el ajuste se debe realizar cuando el elevador se está moviendo.

### **⚠ ADVERTENCIA**

**Nunca realice una elevación con las patas en posición cerrada/transporte. La posición cerrada es solamente para almacenamiento y transporte.**

#### 2. Ruedas y frenos

El elevador tiene dos ruedas con frenos, que se pueden aplicar para dejarlo aparcado. Cuando se realiza la elevación, las ruedas se deben dejar libres y sin frenos, para que el elevador pueda moverse hasta el centro de gravedad. NO aplique los frenos porque, si se aplican los frenos, el paciente podría moverse hasta el centro de gravedad, y esto podría provocar desconcierto e incomodidad.

### 3. Subir y bajar el larguero (modelos eléctricos)

El movimiento del larguero se consigue mediante un potente actuador eléctrico, que está controlado por un sencillo control de mano. El control de mano tiene dos botones, con flechas direccionales ARRIBA y ABAJO. El actuador se detiene automáticamente en el límite del desplazamiento en ambas direcciones. El control de mano se enchufa en un enchufe en la base del cuadro de control. Hay un gancho en la parte posterior del control de mano, que sirve para dejarlo en el mástil o en el larguero cuando no esté en uso.

### 4. Para de emergencia (Sólo eléctrico)

El botón de parada de emergencia rojo está situado en la parte posterior del cuadro de control y se activa pulsándolo. Esta acción de pulsarlo corta la alimentación eléctrica al elevador y sólo se puede desarmar girando el botón en sentido contrario a las agujas del reloj y soltándolo.

### 5. Descenso de emergencia (Sólo eléctrico)

El botón de descenso de emergencia está situado en la parte posterior del cuadro de control. Este botón se utiliza insertando la punta de un bolígrafo en el botón que indica "lower" (bajar). Esta acción hará que el larguero baje si falla el control de mano en cualquier momento.

### 6. Descenso mecánico de emergencia (descenso eléctrico)

En el caso de fallo completo en el suministro eléctrico, el actuador eléctrico dispone de un dispositivo de descenso mecánico (CUBO ROJO). Esta característica sólo funcionará cuando el elevador tenga carga. Hay que tirar del dispositivo hacia arriba y comenzará un lento descenso.

### 7. Baterías

Las baterías están protegidas de una fuerte descarga por una ALARMA DE VOLTAJE BAJO. Esta alarma dará un sonido cuando las baterías necesiten recarga y se esté manejando el control de mano. No sonará si el control de mano no se está manejando.

**PRECAUCIÓN: NO IGNORE ESTA ALARMA DE ADVERTENCIA.** Complete la operación de elevación y coloque el elevador en carga (vea las instrucciones de carga).

### 8. Subir y bajar el larguero (modelos hidráulicos)

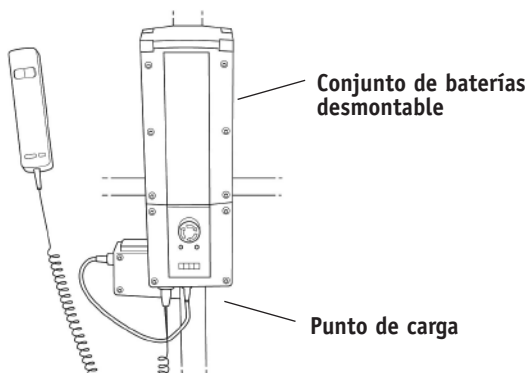
La elevación y descenso del larguero se consigue mediante un potente ariete hidráulico, que se maneja mediante dos sencillos controles. La válvula de liberación está identificada por un botón plateado en forma de estrella, y la palanca de bombeo es una larga palanca en el lateral de la unidad hidráulica para levantar el larguero. La válvula se cierra haciendo girar suavemente el botón completamente en el sentido de las agujas del reloj. Cuando esté cerrada, bombee mediante la palanca larga con movimientos suaves y uniformes para conseguir un efecto máximo. La palanca se puede mover desde una posición hacia arriba en un arco de 90 grados. Deje la palanca en posición hacia arriba cuando no esté en uso.

NO fuerce la palanca más allá de los topes superior o inferior. La unidad hidráulica puede hacerse girar para permitir que la palanca sea utilizada desde cualquiera de los lados del elevador. Para bajar el larguero, gire la válvula de liberación en el sentido contrario al de las agujas del reloj. La válvula de liberación es progresiva; cuanto más se abra, más rápido será el descenso. La válvula está limitada, de manera que, incluso cuando está completamente abierta, el descenso está controlado. Esta prestación permite un descenso "manos libres". Si la válvula de liberación se abre una fracción (un cuarto de vuelta), una velocidad de descenso muy lenta permitirá al cuidador trabajar "manos libres" mientras ayuda o pone cómodo al paciente. RECUERDE cerrar la válvula de liberación antes de comenzar las operaciones de elevación. La válvula de liberación sólo requiere una suave presión para abrirse o cerrarse. NO aplique excesiva fuerza a la válvula de liberación, ni para abrir ni para cerrar. No es necesario y sólo conseguirá dañar la válvula.

## 9. Eslingas

La eslinga seleccionada va sujeta a los ganchos de la barra de extensión; cada eslinga se suministra con instrucciones. Estudie la guía de instrucciones para el elevador y para la eslinga antes de su utilización. Una vez que haya seleccionado la eslinga correcta para el paciente, sujétela a los ganchos de la barra de extensión.

## INSTRUCCIONES DE CARGA DE BATERÍAS PARA EL ELEVADOR OXFORD/HOYER ADVANCE



Las baterías están situadas en el conjunto de alimentación eléctrica y se cargan mediante un enchufe en la base del cuadro de control.

1. Inserte el enchufe de la fuente de suministro en el punto de carga en la base del cuadro de control. El enchufe se inserta mediante un empuje en línea recta. NO efectúe un movimiento de torsión en el enchufe al colocarlo en su alojamiento.
2. Enchufe el cable del cargador a una fuente de alimentación eléctrica y ponga el conmutador en ON.

3. La carga se realiza de manera completamente automática. El indicador LCD indica el estado de la carga. Nota: Incluso si el cargador se deja enchufado durante mucho tiempo, no permitirá que las baterías se sobrecarguen.
4. Para volver a poner en funcionamiento el elevador, ponga el conmutador de alimentación eléctrica en OFF, tire del enchufe del cargador y desconéctelo de la red eléctrica.

### **ADVERTENCIA**

- **SIEMPRE compruebe que el elevador no esté cargándose antes de moverlo, ya que la conexión eléctrica podría dañarse.**
- **PRECAUCIÓN: Mantenga las baterías completamente cargadas. Ponga el elevador en carga cuando no esté en uso. El cargador no permitirá que las baterías se sobrecarguen.**
- **PRECAUCIÓN: Nunca deje que las baterías se descarguen completamente. Si suena la alarma audible, complete la operación de elevación que esté llevando a cabo y coloque el aparato en carga eléctrica.**
- **PRECAUCIÓN: No guarde nunca el elevador durante un largo período de tiempo sin cargarlo regularmente.**
- **PRECAUCIÓN: Asegúrese de que la fuente de alimentación eléctrica al cargador se desconecta antes de desconectar o conectar el cargador al elevador.**
- **PRECAUCIÓN: No deje nunca el cargador enchufado en el elevador con el conmutador de alimentación apagado.**
- **PRECAUCIÓN: No desconecte nunca el enchufe del cargador tirando del cable.**

## PLAN DE MANTENIMIENTO PARA EL OXFORD/HOYER ADVANCE

Todos los productos Oxford/Hoyer están diseñados para un mínimo mantenimiento; sin embargo, son necesarias algunas comprobaciones y procedimientos de seguridad. A continuación se indica un plan de tareas DIARIAS. Si lo pide, le enviaremos una lista de piezas de repuesto.

### LISTA DE COMPROBACIÓN DIARIA

Sunrise Medical recomienda encarecidamente realizar las siguientes comprobaciones de manera diaria y antes de utilizar el elevador.

- ASEGÚRESE de que el elevador se mueve libremente sobre sus ruedas.
- ASEGÚRESE de que la barra de extensión está libre para girar y moverse. Compruebe que la barra de extensión está firmemente sujeta al larguero.
- EXAMINE los ganchos de las eslingas en la barra de extensión y los suspensores laterales por si tuvieran un excesivo desgaste. En caso de duda – no utilice el aparato.
- EXAMINE las eslingas para ver si están deshilachadas o tienen otros daños. NO utilice una eslinga si está dañada
- ASEGÚRESE de que las patas se abren y cierran correctamente.
- OPERE el control de mano o la unidad hidráulica para confirmar que el larguero se levanta y baja satisfactoriamente.
- CONFIRME que el elevador no está dando una alarma de batería baja cuando se maneja el control de mano (sólo elevadores eléctricos). Si la alarma suena, NO utilice el elevador y póngalo en carga inmediatamente.
- EN elevadores movidos por energía eléctrica, verifique el funcionamiento del botón de parada de emergencia.
- EN elevadores hidráulicos, compruebe que no haya fugas de líquido hidráulico. Cualquier fuga debe ser informada inmediatamente a un ingeniero de mantenimiento, y el elevador no se debe utilizar hasta que haya sido verificado.

### MANTENIMIENTO, INSPECCIÓN Y PRUEBA

Sunrise Medical recomienda realizar una inspección y comprobación completa y periódica del elevador y de los accesorios de elevación, como las eslingas. La frecuencia de la inspección varía según los países, de manera que deberá comprobar en su oficina de la administración local con qué frecuencia debe realizarse una inspección. La inspección y la comprobación deben realizarse de acuerdo con las recomendaciones y procedimientos recomendados más abajo. Siempre que sea posible, Sunrise Medical recomienda que el mantenimiento, inspección y comprobación certificada se lleven a cabo por parte de un agente o proveedor de mantenimiento autorizado.

**NOTA**– Estas recomendaciones se dan en cumplimiento de los requisitos de 1998 N° 2307 Salud y Seguridad: Normas relativas a Operaciones de Elevación y Equipo de Elevación de 1998. Esta norma es del Reino Unido. Fuera del Reino Unido, revise los requisitos aplicables a su país.

**\*ESTAS COMPROBACIONES DEBEN INCLUIR:**

	Inicialmente	Antes del uso	Intervalos de servicio
1. <b>BARRA DE EXTENSIÓN:</b> Compruebe la barra de extensión para verificar si tiene libertad de rotación y giro. Compruebe si hay desgaste en el pivote central. Compruebe que está sujeta firmemente al larguero.	✓	✓	
2. <b>LARGUERO:</b> Compruebe la sujeción del larguero al mástil. Asegúrese de que sólo exista un mínimo movimiento lateral del larguero y de que el larguero esté libre para girar en su rodamiento.	✓	✓	
3. <b>MÁSTIL:</b> Verifique el funcionamiento del dispositivo de bloqueo del mástil. Asegúrese de que el mástil encaja completamente en el alojamiento. Verifique el actuador del fondo o el montaje de la unidad hidráulica.	✓	✓	
4. <b>ACTUADOR (sólo eléctrico):</b> El actuador no requiere otro mantenimiento que comprobar su funcionamiento correcto y escuchar si hay ruido no usual.			✓
5. <b>CONJUNTO DE BATERÍA (sólo eléctrico):</b> Verifique el funcionamiento del botón de parada de emergencia y del descenso de emergencia.	✓	✓	
6. <b>BATERÍAS (sólo eléctrico):</b> Las baterías están alojadas en el conjunto de alimentación eléctrica y no requieren ningún mantenimiento más que su carga regular tal y como se detalla en las instrucciones de carga. Compruebe que las conexiones están limpias.			✓
7. <b>UNIDAD HIDRÁULICA:</b> La unidad hidráulica no requiere mantenimiento aparte de verificar el funcionamiento correcto y si hay fugas de líquido hidráulico.		✓	✓
8. <b>AJUSTE DE LAS PATAS:</b> Compruebe que las patas funcionan en toda su extensión (hacia dentro/hacia fuera).	✓	✓	
9. <b>RUEDAS:</b> Compruebe que todas las ruedas están firmemente sujetas a las patas. Verifique la libre rotación de las ruedas y de sus pivotes.	✓	✓	
10. <b>LIMPIEZA:</b> Limpie con jabón corriente y agua, y/o con cualquier desinfectante para superficies duras. Deben evitarse limpiadores químicos o abrasivos, ya que pueden dañar el acabado de la superficie del elevador. No moje ninguna pieza eléctrica.			✓
11. <b>PRUEBA DE CARGA:</b> La prueba de carga debe ser llevada a cabo de acuerdo con los procedimientos establecidos por el fabricante.			✓
12. <b>BASE Y RUEDAS:</b> Asegúrese de que la base está colocada de manera uniforme y nivelada (las cuatro ruedas están en contacto con el suelo).	✓	✓	
13. <b>ESLINGAS:</b> Vea si están desgastadas o deshilachadas.		✓	
14. <b>LUBRICACIÓN:</b> Aceite las juntas de los pivotes, incluyendo las conexiones del mástil y del larguero, el conjunto de pedal, la junta de la barra de extensión (sólo si es necesario).			✓

## ESPECIFICACIONES TÉCNICAS DEL OXFORD/HOYER ADVANCE

### MODELOS ELÉCTRICO E HIDRÁULICO

Especificación	Eléctrico		Hidráulico	
Carga de trabajo segura	342 lbs.	155Kgs	342 lbs.	155Kgs
Longitud total máxima	49,2 pulg.	1250mm	49,2 pulg.	1250mm
Longitud total mínima	47,2 pulg.	1200mm	47,2 pulg.	1200mm
Altura total máxima	72,6 pulg.	1845mm	72,6 pulg.	1845mm
Altura total mínima	53,1 pulg.	1350mm	53,1 pulg.	1350mm
<b>Dimensiones plegado</b>				
Altura	18,5 pulg.	470mm	18,5 pulg.	470mm
Profundidad	49,2 pulg.	1250mm	49,2 pulg.	1250mm
Anchura	21,6 pulg.	550mm	21,6 pulg.	550mm
Altura máxima de la barra de extensión	64,6 pulg.	1640mm	64,6 pulg.	1640mm
Altura mínima de la barra de extensión (utilizable)	15,4 pulg.	390mm	15,4 pulg.	390mm
Altura en alcance máximo	33,5 pulg.	850mm	33,5 pulg.	850mm
Alcance en altura máxima	28,0 pulg.	710mm	28,0 pulg.	710mm
Alcance en altura mínima	15,4 pulg.	390mm	15,4 pulg.	390mm
Alcance máximo*	33,5 pulg.	850mm	33,5 pulg.	850mm
Radio de giro	41,0 pulg.	1040mm	41,0 pulg.	1040mm
Patas abiertas – Anchura externa	43,7 pulg.	1110mm	43,7 pulg.	1110mm
Patas abiertas – Anchura interna	45,7 pulg.	1160mm	45,7 pulg.	1160mm
Patas cerradas – Anchura externa	25,2 pulg.	640mm	25,2 pulg.	640mm
Patas cerradas – Anchura interna	21,7 pulg.	550mm	21,7 pulg.	550mm
Altura total de las patas	4,7 pulg.	120mm	4,7 pulg.	120mm
Distancia al suelo	1,2 pulg.	30mm	1,2 pulg.	30mm
Par de ruedas delanteras	3,0 pulg.	75mm	3 pulg.	75mm
Ruedas traseras con freno	4,0 pulg.	100mm	4 pulg.	100mm

\*Alcance = distancia entre el centro de la barra de extensión y la parte delantera del mástil.

### Pesos

Mástil, base y conjunto de larguero	63,7 lbs.	28,9kgs	63,7 lbs.	26,8kgs
Conjunto de batería	6,2 lbs.	2,8kgs	N/A	
Total	69,9 lbs.	31,7kgs	59 lbs.	26,8kgs
Conjunto de la base (sin incluir batería)	32,9 lbs.	14,9kgs	32,9 lbs.	14,9kgs
Mástil y larguero (sin incluir batería)	30,9 lbs.	14,00kgs	26,3 lbs.	11,9kgs

Todas las medidas tienen un grado de +5/-5 de tolerancia.



**ESPECIFICACIONES ELÉCTRICAS**

BATERÍAS 2 X 12 voltios, tipo de ácido plomo selladas recargables

CAPACIDAD DE LA BATERÍA 3,2 amperios hora

ENTRADA NOMINAL DEL CARGADOR 230 Vca 50/60 Hz

SALIDA NOMINAL DEL CARGADOR 27,4/29,0 VCC@0,8A

**PROTECCIÓN FRENTE A DESCARGAS ELÉCTRICAS**

CARGADOR – CLASE II

ELEVADOR – FUENTE DE ALIMENTACIÓN INTERNA

**GRADO DE PROTECCIÓN FRENTE A DESCARGAS**

CARGADOR – TIPO B

ELEVADOR – TIPO B

USO DE ESLINGA/TIPO OXFORD/HOYER CON BUCLE GRIS

## SERVICIO TÉCNICO, REPARACIONES, INSPECCIONES Y COMPROBACIÓN

Sunrise Medical ha establecido una red de distribuidores y proveedores de excelente reputación, que se ocuparán con mucho gusto de contestar a todas sus preguntas respecto a compra, garantía, reparación y mantenimiento.

Se incluye en cada elevador una tarjeta de Satisfacción del Cliente que está franqueada. Por favor, rellénela y devuélvala a su oficina local de Sunrise Medical. Nuestros productos están garantizados durante un período de 24 meses a partir de la fecha de compra.

Esta garantía cubre la estructura principal del elevador, así como el actuador, cuadro de control, control de mano y batería.

En el Reino Unido, se recomienda que todos nuestros productos sean encargados por su proveedor habitual. El proveedor o distribuidor es el encargado del programa de garantía, de manera que es importante mantener un registro de su nombre, dirección y número de teléfono para que pueda contactar con él si surge algún problema.

Si tiene dudas respecto a dónde ha sido comprado su elevador, Sunrise Medical puede indicarle el distribuidor si usted facilita el número de serie del elevador.

**RECUERDE: Póngase en contacto con el distribuidor para compras, garantía, reparaciones, servicio técnico y mantenimiento certificado.**

Su distribuidor:

## KONTAKTINFORMATIONEN DES HERSTELLERS



### EUROPA

#### Sunrise Medical Ltd

High Street, Wollaston, Stourbridge,  
West Midlands  
DY84PS UK  
+44 (0) 1384 44 66 22  
Fax: +44 (0) 1384 44 66 44  
[www.sunrisemedical.co.uk](http://www.sunrisemedical.co.uk)



### USA

#### Sunrise Medical, Inc

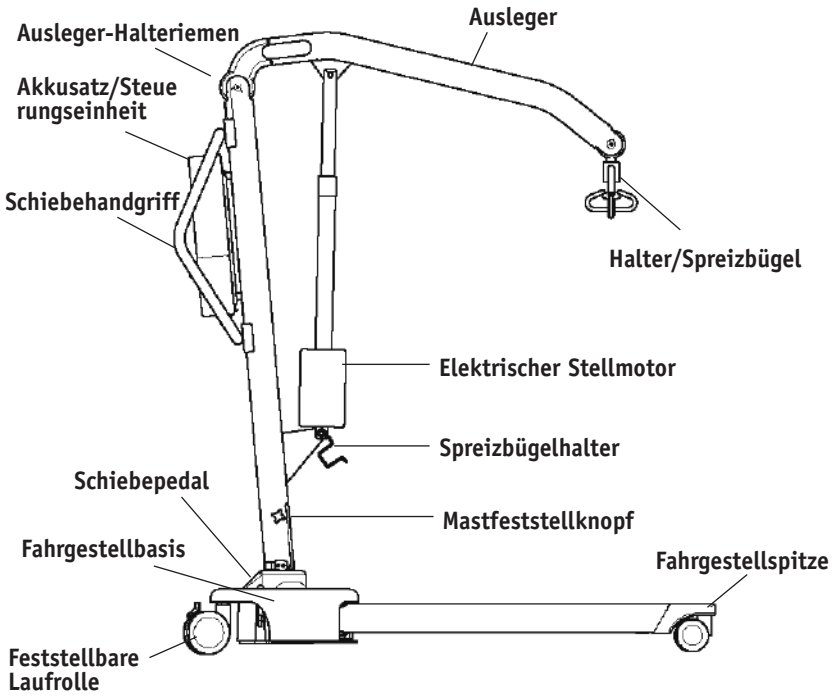
7477 East Dry Creek Parkway  
Longmont, CO 80503  
303-218-4600  
800-333-4000  
Fax: 303-263-3390  
[www.sunrisemedical.com](http://www.sunrisemedical.com)

## INHALT

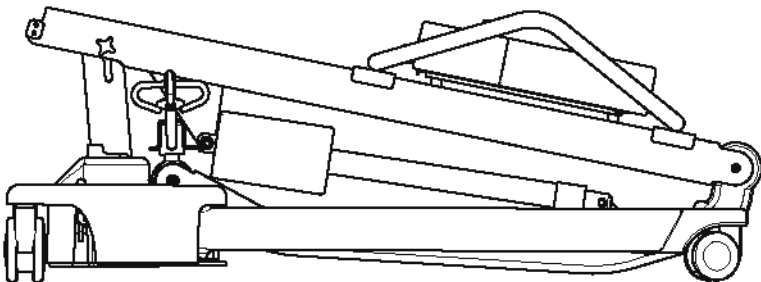
1. Oxford/Hoyer Advance Patientenlifter .....	63
2. Einführung: Oxford/Hoyer Advance Patientenlifter .....	64
3. Montage und Inbetriebnahme .....	65
4. Demontage .....	67
5. Sicherheitshinweise .....	70
6. Bedienungshinweise .....	72
7. Wartungsplan .....	76
8. Technische Daten .....	78
9. Pflege, Reparaturen, Inspektionen und Prüfungen .....	80

## OXFORD/HOYER ADVANCE PATIENTENLIFTER

### OXFORD/HOYER ADVANCE LIFTER (BETRIEBSBEREIT)



### OXFORD/HOYER ADVANCE LIFTER (ZUSAMMENGEKLAPPT)



## EINFÜHRUNG: OXFORD/HOYER ADVANCE PATIENTENLIFTER

### ÜBER DEN LIFTER

#### Sachgemäße Anwendung des Lifters:

Der Lifter dient dem Transfer von Personen von einem Ruheort zu einem anderen (z. B. Transport vom Bett in den Rollstuhl). Es wird nicht empfohlen, Personen mittels Gurt über Entfernungen zu transportieren.

Der Oxford/Hoyer Advance ist in zwei Ausführungen lieferbar: für hydraulischen oder elektrischen Betrieb. In diesem Handbuch sind beide Advance-Ausführungen beschrieben. Der Lifter wird vor der Auslieferung vollständig montiert, unter Last getestet und zertifiziert.

Die Verpackung besteht aus einem festen, zweckmäßig geformten Versandkarton für den sicheren Transport des Lifters und wird sowohl für den heimischen Markt als auch für den Export verwendet. Mit jedem Lifter werden die zugehörigen Dokumente in einer beiliegenden Tasche geliefert, die für die spätere Verwendung sicher aufbewahrt werden müssen.

- PRÜFZERTIFIKAT
- HÄNDLER-GARANTIEKARTE
- BENUTZERHANDBUCH
- CUSTOMER SATISFACTION CARD

Das PRÜFZERTIFIKAT ist ein wichtiges Dokument und sollte für Referenzzwecke aufbewahrt werden. Für die ordnungsgemäße Wartung Ihres Lifters befolgen Sie bitte den Wartungsplan, der in diesem Dokument enthalten ist. Wenn Sie unsicher sind, welche Wartungsanforderungen für Ihren lokalen Markt gelten, erkundigen Sie sich bei Ihrem Händler und/oder bei der zuständigen Behörde.

Der Oxford/Hoyer Advance eignet sich für folgende KATEGORIEN von Hebevorgängen im Rahmen der Arbeitsparameter des Lifters, die unter TECHNISCHE DATEN angegeben sind.

- Kategorie A – Rollstuhl
- Kategorie B – Bett
- Kategorie C – Bad (je nach Einrichtung)
- Kategorie D – Toilette/Duschsitz
- Kategorie E – Fußboden
- Kategorie F – 90-Grad-Drehung

Der Oxford/Hoyer Advance eignet sich für Patienten in SITZENDER, SITZENDER/LIEGENDER und LIEGENDER Position. Folgende Gurte sind für dieses Gerät geeignet:

- Oxford/Hoyer Quick Fit Gurt
- Oxford/Hoyer Komplett-Rückengurt
- Oxford/Hoyer Quick Fit Deluxe-Gurt
- Oxford/Hoyer Sitzgurt, lang
- Oxford/Hoyer Zugangsgurt

#### Das CE-Zeichen:



Der Oxford/Hoyer Advance trägt das CE-Zeichen und erfüllt die folgenden EU-Richtlinien:

- Richtlinie über Medizinprodukte (93/42/EWG)
- Richtlinie zur elektromagnetischen Verträglichkeit (89/336/EWG)
- Niederspannungsrichtlinie (73/23/EWG)

## MONTAGE UND INBETRIEBNAHME

### KARTONINHALT

Stellen Sie den Versandkarton in einem freien Arbeitsbereich auf, und öffnen Sie ihn vorsichtig. Der Karton enthält folgende Teile:

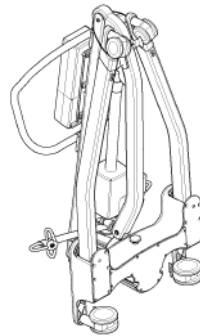
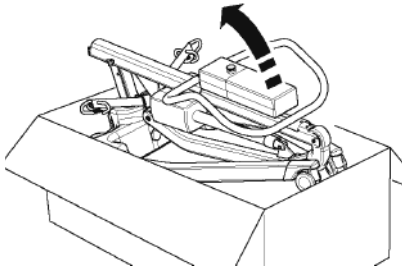
- OXFORD/HOYER ADVANCE
- TASCHE MIT DOKUMENTEN
- HANDBEDIENUNG (nur Elektro-Ausführung)
- AKKUEINHEIT (nur Elektro-Ausführung)
- AKKULADEKABEL (nur Elektro-Ausführung)
- HYDRAULIKEINHEIT (nur Hydraulik-Ausführung)

**SICHERHEITSHINWEIS**– Der Oxford/Hoyer Advance ist schwer und muss vorsichtig gehoben werden. Holen Sie sich Hilfe, um den Oxford/Hoyer Advance aus dem Karton zu heben.

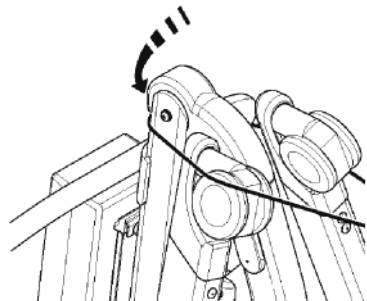
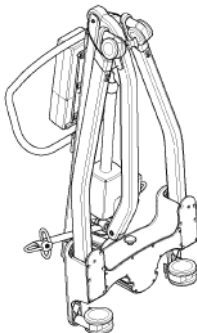
### MONTAGEANWEISUNGEN

**1.** Nehmen Sie alle Teile aus dem Karton heraus, legen Sie sie auf den Boden und achten Sie darauf, dass die Oberfläche des Geräts nicht beschädigt wird.

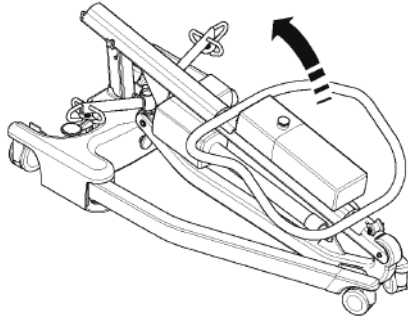
Heben Sie den Advance vorsichtig aus dem Karton heraus. Stellen Sie den Lifter hochkant (Dreiecksstellung).



**2.** Lösen Sie Fahrgestell und Mast-Baugruppe, indem Sie den Halteriem von den Rädern entfernen. Der Riemen wird im oberen Bereich des Mastes eingezogen.

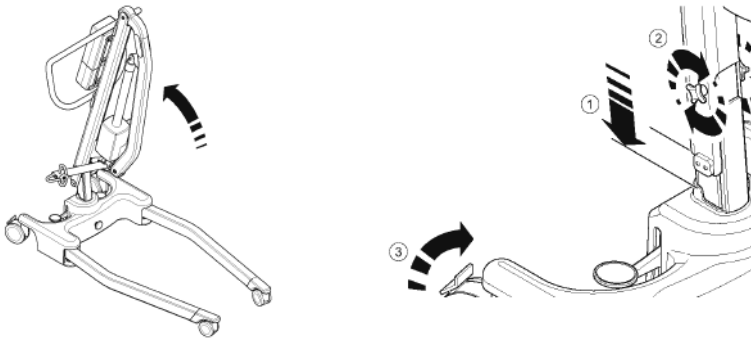


3. Legen Sie den Advance flach auf den Boden (vergewissern Sie sich, dass die hinteren Laufrollen festgestellt sind).

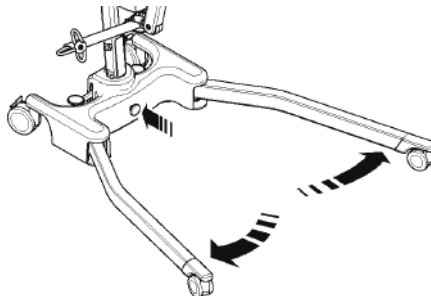


4. Stellen Sie die Mastbaugruppe in die aufrechte Lage (fassen Sie am oberen Ende des Schiebehandgriffs an), und senken Sie den Mast in die Mastaufnahme (1), ziehen Sie die Feststellknöpfe fest (2), und lösen Sie die festgestellten Laufrollen (3).

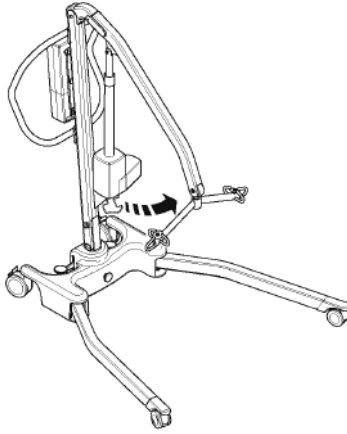
**SICHERHEITSHINWEIS**– Quetschgefahr: Halten Sie die Finger vom Mastende fern, wenn Sie den Mast in die Mastaufnahme einsetzen. Ziehen Sie den Mast-Feststellknopf fest, und lösen Sie die festgestellten hinteren Laufrollen.



5. Spreizen Sie die Träger des Fahrgestells vollständig auf. VERGEWISSERN SIE SICH, dass der Fahrgestell-Feststellknopf bündig in der Fahrgestellbasis eingerastet ist und dass die Träger nicht mehr frei beweglich sind. Die Träger lassen sich dann nur noch mit dem Fußpedal auf der Rückseite der Basis verstellen.

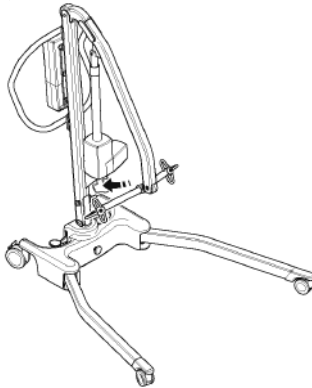


6. Lösen Sie den Spreizbügel aus dem Spreizbügelhalter. Der Lifter ist jetzt betriebsbereit.

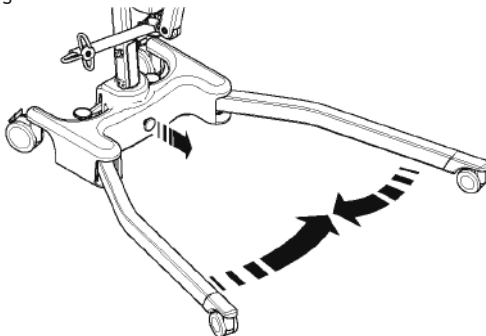


## DEMONTAGE

1. Senken Sie den Mast in die niedrigste Position, und setzen Sie dann den Spreizbügel in den Spreizbügelhalter.



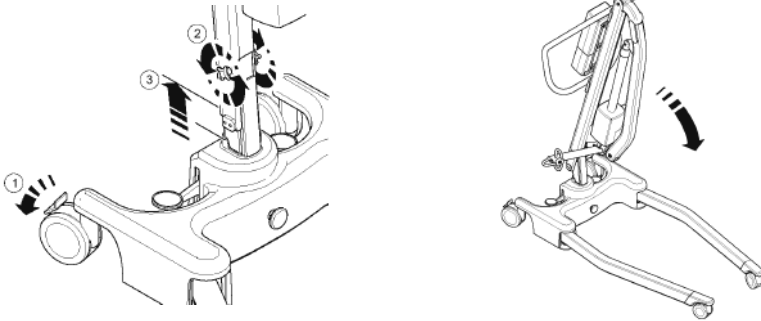
2. Lösen Sie die Fahrgestellsicherung (aus der Fahrgestellbasis ziehen) und führen Sie die Fahrgestellträger eng zusammen.



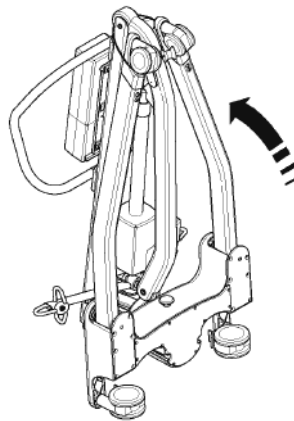


3. Lösen Sie die Mast-Feststellknöpfe (2 – nicht vollständig herausdrehen), heben Sie die Mast/Ausleger-Baugruppe an (3), und legen Sie diese vorsichtig auf dem Fahrgestell ab. Verwenden Sie dabei den Schiebehandgriff.

**HINWEIS-** Wenn Sie Mast und Ausleger von Fahrgestellbasis und -trägern trennen möchten, drehen Sie die Mast-Feststellknöpfe vollständig heraus (entfernen), und heben Sie Mast und Ausleger vollständig aus der Basis. Achten Sie darauf, dass Knopf und Positionszapfen der Mastsicherung nicht gelöst werden.

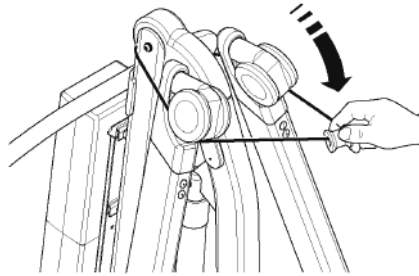


4. Stellen Sie den zusammengeklappten Advance hochkant (mit Fahrgestellträgern und Schiebehandgriff führen), und achten Sie darauf, dass Mast und Ausleger beim Hochstellen zusammen bleiben.



5. Ziehen Sie den Halteriem steil nach oben, und legen Sie ihn über die Laufrollen. (Mit dem Riemen werden Fahrgestell, Mast und Ausleger für Transport und Lagerung arretiert).

**HINWEIS**– Das Zerlegen bzw. Aufstellen des Advance ist mit Vorsicht auszuführen, da die Gefahr besteht, dass Finger oder andere Körperteile beteiligter Personen gequetscht werden. Befolgen Sie strikt die Anweisungen, und holen Sie sich Hilfe, wenn Ihnen die korrekte Vorgehensweise nicht klar ist.



### PRÜFEN SIE VOR DEM BETRIEB STETS DIE FOLGENDEN PUNKTE

- Die Fahrgestellträger sind vollständig gespreizt und gesichert (siehe Montageanweisungen, 5).
- Der Mast ist ordnungsgemäß in seiner Lage gesichert (siehe Montageanweisungen, 4)
- Die Fahrgestellträger des Lifters lassen sich einwandfrei spreizen und zusammenführen.
- Der rote Not-Aus-Knopf auf der Rückseite der Steuereinheit befindet sich in der Position OFF (Aus).
- Drücken Sie die Aufwärts- und Abwärts-Tasten auf der Handbedienung, und vergewissern Sie sich, dass sich der Ausleger hebt und senkt.

### NUR HYDRAULIK-AUSFÜHRUNGEN

- Schließen Sie das Stellventil der Hydraulik, indem Sie die Ventilschraube an der Hydraulikeinheit im Uhrzeigersinn drehen.

**HINWEIS**– Das Stellventil funktioniert mit geringem Kraftaufwand und sollte daher nur per Hand geschlossen werden. Der Ventilknopf darf NICHT mit Gewalt betätigt werden, da sonst das Ventil beschädigt wird.

- Pumpen Sie mit dem Hebel der Hydraulikeinheit, und vergewissern Sie sich, dass der Druck den Ausleger hebt.
- Öffnen Sie das Stellventil vollständig (gegen den Uhrzeigersinn), und überprüfen Sie, ob sich der Ausleger senkt. Ein unbelasteter Ausleger wird nicht vom eigenen Gewicht gesenkt. In diesem Fall ist es erforderlich, den Ausleger mit etwas Kraft zu senken.

**HINWEIS**– Das Stellventil ist nach weniger als zwei Umdrehungen des Ventilknopfes vollständig geöffnet (Anschlag).

## SICHERHEITSHINWEISE

Lesen und befolgen Sie die nachfolgend aufgeführten Sicherheitshinweise. Betrieb und Funktionsweise des Oxford/Hoyer Patientenlifters sind einfach und direkt. Wenn Sie diese grundlegenden Sicherheitsvorkehrungen beachten, ist der Hebebetrieb leicht und problemlos.

**DER „ADVANCE“ LIFTER DARF NUR VON PERSONEN VERWENDET WERDEN, DIE DIESES BENUTZERHANDBUCH GELESEN UND VERSTANDEN HABEN.**

**WARNUNG**– Wichtige Sicherheitsinformationen über Gefahren, die schwere Verletzungen zur Folge haben können.

**VORSICHT**– Informationen zur Vermeidung von Beschädigungen am Produkt.

**HINWEIS**– Informationen, auf die Sie besonders achten sollten.

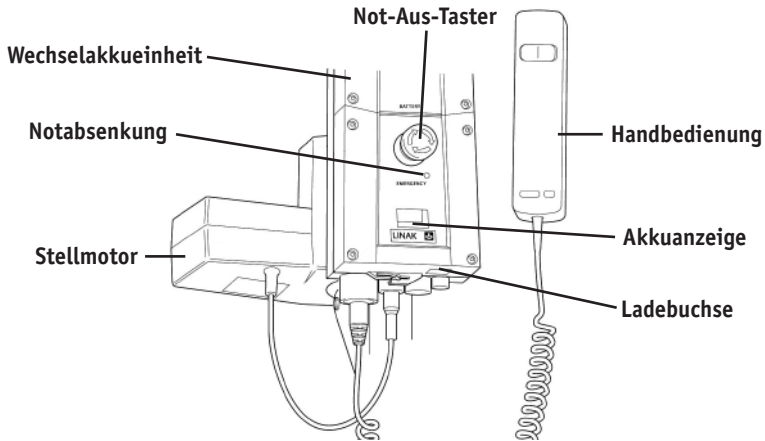
### **WARNUNG**

- Planen Sie die mit dem Lifter auszuführenden Aufgaben **STETS** bevor Sie beginnen.
- Gehen Sie vor jedem Einsatz des Lifters die **TÄGLICHE PRÜFLISTE** (Seite 76) durch.
- Machen Sie sich vor jedem Heben von Patienten mit den Bedienungselementen und Sicherheitseinrichtungen des verwendeten Lifters vertraut.
- Verwenden Sie **KEINE** Gurte, die nicht ausdrücklich zur Verwendung mit diesem Lifter empfohlen werden.
- Prüfen Sie **STETS**, ob der Gurt für den speziellen Patienten geeignet ist und die korrekte Größe und Tragfähigkeit besitzt.
- Verwenden Sie **NIEMALS** Gurte, die ausgefranst oder beschädigt sind.
- Passen Sie die Gurte **STETS** gemäß den Anweisungen an.
- Vergewissern Sie sich, dass die zulässige Arbeitsbelastung des Lifters für das Gewicht des Patienten ausreicht.
- Bedienen Sie den Lifter **STETS** gemäß den Anweisungen im Betriebshandbuch.
- Bedienungs- oder Sicherheitselemente dürfen **AUF KEINEM FALL** entfernt oder außer Kraft gesetzt werden, um den Lifter-Betrieb zu vereinfachen.
- Heben Sie Patienten **NIEMALS** mit festgestellten Laufrollen an. Der Lifter muss sich stets auf den richtigen Schwerpunkt positionieren können.
- Manövrieren Sie den Lifter **NIEMALS** durch Schieben am Mast, Ausleger oder am Patienten.
- Manövrieren Sie den Lifter **STETS** mit dem vorhandenen Handgriff.
- Senken Sie den Patienten vor Beginn des Transfers **STETS** auf die niedrigste bequeme Position.

- Schieben Sie den beladenen Lifter NICHT bei Geschwindigkeiten, die über der Schrittgeschwindigkeit liegen (3 km/h, 0,8 m/s).
- Schieben Sie den Lifter NICHT über unebene oder raue Flächen, insbesondere wenn er beladen ist.
- Schieben/ziehen Sie den beladenen Lifter NICHT über Hindernisse am Boden, die von den Laufrollen nicht überfahren werden können.
- Betätigen Sie die Bedienungs-/Sicherheitselemente NIEMALS mit Gewalt. Alle Elemente sind leichtgängig und ohne Gewalt zu betätigen.
- Parken Sie den beladenen Lifter NICHT auf schiefen Ebenen.
- Verwenden Sie elektrische Lifter NICHT in Duscbädern.
- Laden Sie elektrische Lifter NICHT in Bädern oder Duschräumen auf.
- Heben Sie KEINE Patienten, wenn Sie nicht dafür ausgebildet und kompetent sind.
- Der Lifter ist zum Heben von Patienten konzipiert worden. Er darf für KEINE anderen Zwecke verwendet werden.
- Der Lifter darf weder in beladenem noch in unbeladenem Zustand Stufen heruntergeschoben werden.
- Führen Sie den beladenen Lifter NICHT über schiefe Ebenen mit mehr als 1:12 (ca. 5 Grad) Gefälle.
- Führen Sie den Lifter NICHT ohne zweiten Helfer über schiefe Ebenen.
- Achten Sie vor dem Bewegen STETS darauf, dass der Lifter nicht gerade aufgeladen wird, da der elektrische Anschluss beschädigt werden kann.

## BEDIENUNGSHINWEISE

### BEDIENUNGSELEMENTE DES OXFORD/HOYER ADVANCE



### BEDIENUNGSHINWEISE

#### 1. Einstellen der Fahrgestellbreite

Die Breite des Fahrgestells am Oxford/Hoyer Advance ist einstellbar. Die Fahrgestellträger können gespreizt werden, um Sessel oder Rollstühle zu umschließen. Für den Transfer durch enge Türen und Durchgänge sollten die Träger zusammengeführt werden.

Um das Fahrgestell zu verstellen, wird das Einstellpedal auf der Rückseite der Fahrgestellbasis entweder nach rechts (UNTEN) (Träger spreizen) oder nach links (OBEN) gedrückt (Träger schließen). Die Träger können auch verstellt werden, während sich der Patient im Lifter befindet. Unabhängig davon, ob der Lifter beladen oder unbeladen ist, muss das Verstellen während der Fahrt erfolgen.

### **⚠️ WARNUNG**

**Heben Sie niemals, wenn sich die Fahrgestellträger in der geschlossenen bzw. Transportposition befinden. Die geschlossene Position eignet sich nur für Lagerung und Transport.**

#### 2. Laufrollen und Feststellbremsen

Der Lifter besitzt zwei feststellbare Laufrollen, die beim Abstellen benutzt werden. Während des Hebevorgangs müssen die Laufrollen frei und ungebremst sein, sodass sich der Lifter stets zum richtigen Schwerpunkt hin bewegen kann. Betätigen Sie NICHT die Bremse, da der Patient beim Heben mit festgestellten Laufrollen möglicherweise zum Schwerpunkt schwenkt und dies beunruhigend oder unangenehm sein kann.

### 3. Heben und Senken des Auslegers (Elektro-Ausführung)

Die Hubbewegung des Auslegers erfolgt durch einen leistungsstarken elektrischen Stellmotor, der mit einer einfachen Handbedienung gesteuert wird. Auf der Handbedienung befinden sich zwei Taster mit den Richtungspfeilen AUFWÄRTS und ABWÄRTS. Der Stellmotor stoppt automatisch in der oberen bzw. unteren Endlage. Die Handbedienung ist an einer Buchse unten an der Steuereinheit angeschlossen. Auf der Rückseite der Handbedienung befindet sich ein Haken, mit dem man die Handbedienung bei Nichtbenutzung am Mast oder Ausleger aufhängen kann.

### 4. Not-Aus (nur Elektro-Ausführung)

Der rote Not-Aus-Taster befindet sich auf der Rückseite der Steuereinheit und wird durch Drücken ausgelöst. In diesem Fall wird die gesamte Stromzufuhr zum Lifter unterbrochen. Um den Not-Aus-Zustand aufzuheben, wird der Taster gegen den Uhrzeigersinn gedreht, bis er herauspringt.

### 5. Notabsenkung (nur Elektro-Ausführung)

Der Taster für die Notabsenkung befindet sich auf der Rückseite der Steuereinheit. Er wird ausgelöst, indem Sie eine Kugelschreiberspitze auf den mit „lower“ gekennzeichneten Taster drücken. Mit dieser Funktion kann der Ausleger jederzeit gesenkt werden, wenn die Handbedienung ausfällt.

### 6. Mechanische Notabsenkung (bei Stromausfall)

Für den Fall eines kompletten Stromausfalls ist der elektrische Stellmotor mit einem mechanischen Senkmechanismus (ROTTER KNOFF) ausgestattet. Der Mechanismus funktioniert nur, wenn sich der Lifter unter Last befindet. Zum Auslösen ziehen Sie den Mechanismus nach oben. Die Vorrichtung senkt sich langsam ab.

### 7. Akkus

Die Akkus werden durch einen LADEZUSTANDSALARM vor zu starker Entladung geschützt. Dieser Alarm ertönt bei Betätigung der Handbedienung, wenn die Batterien aufgeladen werden müssen. Der Alarmton wird nur dann ausgelöst, wenn die Handbedienung betätigt wird. **VORSICHT: DIESER ALARM IST UNBEDINGT ZU BEACHTEN.** Führen Sie den Hebevorgang zu Ende, und laden Sie die Akkus der Lifter auf (siehe „Aufladen der Akkueinheit“).

### 8. Heben und Senken des Auslegers (Hydraulik-Ausführung)

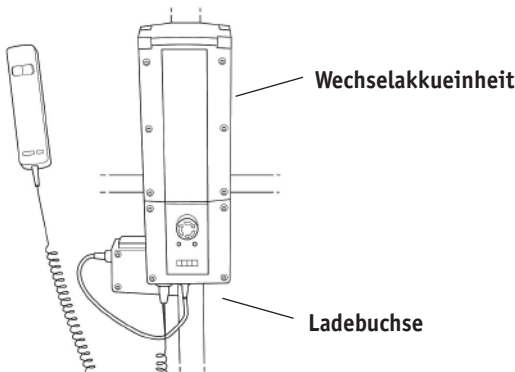
Das Heben und Senken des Auslegers erfolgt mit einer leistungsstarken Hydraulik, die mit zwei einfachen Bedienelementen betätigt wird: dem Stellventil, das an dem silbernen Sterngriff erkennbar ist, und dem Pumpgriff, einem langen Hebel seitlich der Hydraulikeinheit zum Heben des Auslegers. Das Ventil wird durch eine sanfte, vollständige Drehung des Sterngriffs im Uhrzeigersinn geschlossen. Wenn das Ventil geschlossen ist, pumpen Sie mit dem langen Hebel. Die beste Wirkung wird mit sanften, gleichmäßigen Pumpbewegungen erzielt. Der Hebel wird aus der senkrechten Lage in einem 90-Grad-Bogen bewegt. Wenn Sie nicht pumpen, lassen Sie den Hebel in senkrechter Lage.

Bewegen Sie den Hebel NICHT mit Gewalt über die oberen und unteren Anschläge hinaus. Die Hydraulikeinheit lässt sich drehen, sodass der Hebel von beiden Seiten des Lifters betätigt werden kann. Um den Ausleger zu senken, drehen Sie das Stellventil gegen den Uhrzeigersinn. Die Senkgeschwindigkeit wird größer, je mehr Sie das Ventil öffnen. Allerdings ist das Ventil begrenzt, sodass der Absenkvorgang auch bei vollständig geöffnetem Ventil kontrolliert abläuft. Diese Einrichtung ermöglicht ein „freihändiges“ Absenken. Wenn das Ventil nur teilweise (Vierteldrehung) geöffnet ist, kann das Pflegepersonal bei geringer Absenkgeschwindigkeit freihändig arbeiten, um dem Patienten behilflich zu sein. Vor dem Beginn der Hebevorgänge MUSS das Stellventil geschlossen werden. Zum Schließen oder Öffnen des Stellventils ist nur wenig Kraft erforderlich. Wenden Sie KEINE Gewalt an, um das Stellventil zu schließen oder zu öffnen. Dies ist unnötig und führt nur zu Schäden am Ventil.

## 9. Gurte

Der ausgewählte Gurt wird an den Haken des Hehebügels befestigt. Für jeden Gurt werden spezielle Anweisungen mitgeliefert. Lesen Sie bitte vor Gebrauch die Anweisungen für den Lifter und für den Gurt. Wenn der passende Gurt für den Patienten ausgewählt ist, hängen Sie den Gurt an den Haken des Spreizbügels ein.

## AUFLADEN DER AKKUEINHEIT FÜR DEN OXFORD/HOYER ADVANCE



Die Akkus befinden sich in der Akkueinheit und werden über die Ladebuchse auf der Unterseite der Steuereinheit aufgeladen.

1. Stecken Sie den Stecker des Ladekabels in die Ladebuchse auf der Unterseite der Steuereinheit. Der Stecker wird geradlinig eingesteckt. Der Stecker darf NICHT in der Buchse verdreht werden.
2. Stecken Sie das Netzstromkabel des Ladegeräts in eine geeignete Netzsteckdose, und schalten Sie die Stromversorgung EIN.
3. Der Ladevorgang ist vollautomatisch. Die LCD-Anzeige zeigt den Ladezustand an. Hinweis: Auch wenn das Ladegerät längere Zeit angeschlossen bleibt, sind die Akkus vor Überladung geschützt.

4. Um den Lifter wieder in Betrieb zu nehmen, schalten Sie die Stromversorgung AUS, ziehen Sie den Stecker des Ladekabels ab, und trennen Sie das Ladegerät von der Netzspannung.

### **WARNUNG**

- Achten Sie vor dem Bewegen STETS darauf, dass der Lifter nicht gerade aufgeladen wird, da der elektrische Anschluss beschädigt werden kann.
- **VORSICHT:** Akkueinheit immer voll aufladen. Lassen Sie den Lifter immer aufladen, wenn er nicht benutzt wird. Das Ladegerät schützt die Akkueinheit vor Überladen.
- **VORSICHT:** Akkueinheit nie vollständig entladen. Wenn der Ladezustandsalarm ertönt, führen Sie den gerade ausgeführten Hebevorgang zu Ende, und bringen Sie den Lifter zum Aufladen.
- **VORSICHT:** Lifter in regelmäßigen Abständen nachladen, wenn er längere Zeit abgestellt wird.
- **VORSICHT:** Stets darauf achten, dass die Netzspannung zum Ladegerät ausgeschaltet ist, bevor das Ladegerät am Lifter angeschlossen oder vom Lifter getrennt wird.
- **VORSICHT:** Ladegerät nicht am Lifter angeschlossen lassen, wenn die Netzspannung ausgeschaltet ist.
- **VORSICHT:** Niemals am Kabel ziehen, um den Stecker des Ladegeräts abzuziehen.



## WARTUNGSPLAN FÜR DEN OXFORD/HOYER ADVANCE

Alle Oxford/Hoyer Produkte sind so konzipiert, dass sie nur ein Minimum an Wartung benötigen. Einige Sicherheitsprüfungen und -prozeduren sind jedoch unerlässlich. Im Folgenden sind die täglich auszuführenden Prüfungen aufgeführt. Eine Liste der Ersatzteile erhalten Sie auf Anfrage.

### TÄGLICHE PRÜFLISTE

Sunrise Medical empfiehlt dringend, dass der Lifter täglich vor der Benutzung auf folgende Punkte überprüft wird:

- VERGEWISSERN SIE SICH, dass sich der Lifter frei auf den Laufrollen bewegen kann.
- VERGEWISSERN SIE SICH, dass der Spreizbügel frei drehbar und schwenkbar ist. Der Spreizbügel muss fest am Ausleger angebracht sein.
- PRÜFEN Sie Gurthaken am Spreizbügel und Seitenaufhängungen auf übermäßigen Verschleiß. Im Zweifelsfall nicht verwenden.
- PRÜFEN Sie Gurte auf Ausfransungen und andere Schäden. Beschädigte Gurte dürfen NICHT verwendet werden.
- VERGEWISSERN SIE SICH, dass das Fahrgestell sich einwandfrei öffnet und schließt.
- Betätigen Sie Handbedienung bzw. Hydraulikeinheit, um sicherzustellen, dass sich der Ausleger einwandfrei hebt und senkt.
- Prüfen Sie, ob am Lifter ein Ladezustandsalarm vorliegt, wenn die Handbedienung betätigt wird (nur Elektro-Ausführung). Wenn der Alarm ertönt, darf der Lifter NICHT verwendet werden und muss sofort aufgeladen werden.
- Prüfen Sie die Funktionsfähigkeit des Not-Aus-Tasters (nur bei Elektro-Ausführung).
- Prüfen Sie, ob Hydraulikflüssigkeit austritt (nur bei Hydraulik-Ausführung). Auftretende Lecks müssen sofort dem Servicetechniker gemeldet werden. Der Lifter darf bis zur Beseitigung des Fehlers nicht benutzt werden.

### WARTUNG, INSPEKTION UND PRÜFUNG

Sunrise Medical empfiehlt eine regelmäßige gründliche Inspektion und Prüfung des Oxford/Hoyer Advance Lifters und der Zubehörteile (Gurte usw.). Die Häufigkeit der Inspektionen hängt von dem jeweiligen Land ab und muss bei der zuständigen Behörde erfragt werden. Untersuchung und Prüfung sollten entsprechend der nachfolgenden Empfehlungen und Prozeduren erfolgen. Sunrise Medical empfiehlt, dass Wartung, Inspektion und zertifizierte Prüfungen nur von autorisierten Servicevertretern/ Händlern durchgeführt werden.

**HINWEIS**– Diese Empfehlungen entsprechen den Vorschriften für Großbritannien und Nordirland gemäß No2307 Health and Safety: The Lifting Operations and Lifting Equipment Regulations 1998 (Vorschriften zur Arbeitssicherheit für Hebevorgänge und Lifter). Außerhalb von Großbritannien und Nordirland gelten die Vorschriften des jeweiligen Landes.

**\*DIESE PRÜFUNGEN SOLLTEN UMFASSEN:**

	Anfangs	Vor dem Gebrauch	Wartungsintervalle
1. <b>SPREIZBÜGEL:</b> Vergewissern Sie sich, dass der Spreizbügel frei dreh- und schwenkbar ist. Prüfen Sie den zentralen Stift auf Verschleiß. Prüfen Sie, dass der Stift fest mit dem Ausleger verbunden ist.	✓	✓	
2. <b>AUSLEGER:</b> Prüfen Sie die Verbindung von Ausleger und Mast. Stellen Sie sicher, dass der Ausleger sich nur geringfügig seitlich bewegen und sich frei im Lager des Auslegers drehen kann.	✓	✓	
3. <b>MAST:</b> Prüfen Sie die Funktion des Mast-Feststellknopfes. Achten Sie darauf, dass der Mast in der entsprechenden Buchse einrastet. Prüfen Sie die Halterung des unteren Stellmotors bzw. der Hydraulikeinheit.	✓	✓	
4. <b>STELLMOTOR (nur Elektro-Ausführung):</b> Der Stellmotor muss, abgesehen vom Prüfen auf korrekten Betrieb und außergewöhnliche Geräusche, nicht gewartet werden.			✓
5. <b>AKKUEINHEIT (nur Elektro-Ausführung):</b> Prüfen Sie die Funktion des Not-Aus-Tasters und der Notabsenkung.	✓	✓	
6. <b>AKKUS (nur Elektro-Ausführung):</b> Die Akkus befinden sich in der Akkueinheit und müssen, abgesehen vom regelmäßigen Aufladen (siehe „Aufladen der Akkueinheit“), nicht gewartet werden. Achten Sie darauf, dass die Anschlüsse sauber bleiben.			✓
7. <b>HYDRAULIKEINHEIT:</b> Die Hydraulikeinheit muss, abgesehen vom Prüfen auf korrekten Betrieb und Prüfen auf Austreten von Hydraulikflüssigkeit, nicht gewartet werden.		✓	✓
8. <b>EINSTELLEN DER FAHRGESTELBREITE:</b> Prüfen Sie, dass das Fahrgestell nach innen und nach außen verstellt werden kann.	✓	✓	
9. <b>LAUFROLLEN:</b> Prüfen Sie, dass die Laufrollen fest mit dem Fahrgestell verbunden sind. Vergewissern Sie sich, dass die Laufrollen frei beweglich sind.	✓	✓	
10. <b>REINIGUNG:</b> Verwenden Sie zum Reinigen herkömmliche Seife und Wasser und/oder Desinfektionsmittel für harte Oberflächen. Starke chemische Reinigungsmittel oder Scheuermittel sollten nicht verwendet werden, da diese die Oberfläche des Lifters angreifen. Setzen Sie die elektrischen Teile keiner Feuchtigkeit aus.			✓
11. <b>BELASTUNGSPRÜFUNG:</b> Die Belastungsprüfung sollte gemäß den Prüfverfahren vom Hersteller durchgeführt werden.			✓
12. <b>FAHRGESTELL UND ROLLEN:</b> Stellen Sie sicher, dass das Fahrgestell auf glattem, ebenem Boden steht (alle vier Rollen haben Bodenkontakt).	✓	✓	
13. <b>GURTE:</b> Prüfen Sie auf Verschleiß und Ausfransung.		✓	
14. <b>SCHMIERUNG:</b> Schmieren Sie alle Drehgelenke, einschließlich Mast- und Auslegeranschlüsse, Pedal, Spreizbügelgelenk (nach Bedarf).			✓

## OXFORD/HOYER ADVANCE TECHNISCHE DATEN

### ELEKTRO- UND HYDRAULIK-AUSFÜHRUNGEN

<b>Spezifikation</b>	<b>Elektrisch</b>		<b>Hydraulisch</b>	
Zulässige Belastung	342 lbs.	155Kgs	342 lbs.	155Kgs
Maximale Gesamtlänge	49.2 inches	1250mm	49.2 inches	1250mm
Minimale Gesamtlänge	47.2 inches	1200mm	47.2 inches	1200mm
Maximale Gesamthöhe	72.6 inches	1845mm	72.6 inches	1845mm
Minimale Gesamthöhe	53.1 inches	1350mm	53.1 inches	1350mm
<b>Abmessungen, zusammengeklappt</b>				
Höhe	18.5 inches	470mm	18.5 inches	470mm
Tiefe	49.2 inches	1250mm	49.2 inches	1250mm
Breite	21.6 inches	550mm	21.6 inches	550mm
Spreizbügel, maximale Höhe	64.6 inches	1640mm	64.6 inches	1640mm
Spreizbügel, anwendbare Mindesthöhe	15.4 inches	390mm	15.4 inches	390mm
Höhe bei maximaler Reichweite	33.5 inches	850mm	33.5 inches	850mm
Reichweite bei maximaler Höhe	28.0 inches	710mm	28.0 inches	710mm
Reichweite bei minimaler Höhe	15.4 inches	390mm	15.4 inches	390mm
Maximale Reichweite*	33.5 inches	850mm	33.5 inches	850mm
Wenderadius	41.0 inches	1040mm	41.0 inches	1040mm
Fahrgestell, gespreizt – äußere Breite	43.7 inches	1110mm	43.7 inches	1110mm
Fahrgestell, gespreizt – innere Breite	45.7 inches	1160mm	45.7 inches	1160mm
Fahrgestell, geschlossen – äußere Breite	25.2 inches	640mm	25.2 inches	640mm
Fahrgestell, geschlossen – innere Breite	21.7 inches	550mm	21.7 inches	550mm
Gesamthöhe des Fahrgestells	4.7 inches	120mm	4.7 inches	120mm
Bodenabstand	1.2 inches	30mm	1.2 inches	30mm
Doppellaufrollen vorne	3.0 inches	75mm	3 inches	75mm
Laufrollen mit Feststellbremse hinten	4.0 inches	100mm	4 inches	100mm

\*Reichweite = Mitte Spreizbügel bis Vorderseite Mast

### Gewicht

Mast, Fahrgestell, Ausleger	63.7 lbs.	28.9kgs	63.7 lbs.	26.8kgs
Akkueinheit	6.2 lbs.	2.8kgs	Nicht zutreffend	
Gesamt	69.9 lbs.	31.7kgs	59 lbs.	26.8kgs
Fahrgestell (ohne Akku)	32.9 lbs.	14.9kgs	32.9 lbs.	14.9kgs
Mast und Ausleger (ohne Akku)	30.9 lbs.	14.00kgs	26.3 lbs.	11.9kgs

Alle Maßangaben mit +5/-5 Grad Toleranz.

**ELEKTRISCHE DATEN**

AKKUS: 2 Stück à 12 V, wiederaufladbar, geschlossene Blei/Säure-Akkus

BATTERIEKAPAZITÄT: 3,2 Ah

EINGANGSSPANNUNG DES LADEGERÄTS (NENNWERT): 230V Wechselstrom, 50/60 Hz

AUSGANGSSPANNUNG DES LADEGERÄTS (NENNWERT): 27,4/ 29,0 V Gleichspannung bei 0,8 A

**ÜBERSPANNUNGSSCHUTZ**

LADEGERÄT – KLASSE II

LIFTER – INTERNE SPANNUNGSQUELLE

**STOSSFESTIGKEIT**

LADEGERÄT – TYP B

LIFTER – TYP B

HEBEGURT/TYP OXFORD/HOYER GRAUE SCHLINGE

## **PFLEGE, REPARATUREN, INSPEKTIONEN UND PRÜFUNGEN**

Sunrise Medical verfügt über ein Netzwerk von renommierten Vertriebspartnern und Händlern, die Ihre Kauf-, Garantie-, Reparatur- und Wartungsanfragen gerne bearbeiten.

Im Lieferumfang des Patientenlifters ist eine Customer Satisfaction Card enthalten. Bitte nehmen Sie sich die Zeit, um diese Karte auszufüllen, und schicken Sie sie an die lokale Zweigstelle von Sunrise Medical. Wir gewähren eine Produktgarantie von 24 Monaten ab Verkaufsdatum.

Die Gewährleistung gilt für den Lifter mit Hauptaufbau, Stellmotor, Steuereinheit, Handbedienung und Akkusatz.

Für Großbritannien und Nordirland empfehlen wir, alle unsere Produkte über Ihren Händler zu bestellen. Der Händler oder Vertriebspartner ist für das Garantieprogramm zuständig. Daher ist es wichtig, dass Sie dessen Namen, Adresse und Telefonnummer aufbewahren, damit Sie bei Problemen sofort Kontakt aufnehmen können.

Wenn Sie nicht genau wissen, wo Ihr Lifter gekauft wurde, kann Sunrise Medical den Lieferanten ermitteln, wenn Sie die Seriennummer des Lifters angeben.

**DENKEN SIE DARAN: Bei Käufen, Garantiefragen, Reparaturen, Wartungen und zertifizierten Inspektionen wenden Sie sich bitte an den Vertriebspartner.**

Ihr Vertriebspartner:



---

**Sunrise Medical**

7477 East Dry Creek Pkwy  
Longmont, CO 80503  
USA  
303-218-4600  
800-333-4000

**Sunrise Medical Canada, Inc.**

237 Romina Drive, Unit 3  
Concord, Ontario L4K 4V3  
CANADA  
905-660-2459  
800-263-3390

**Sunrise Medical Ltd.**

Sunrise Business Park  
High Street  
Wollaston, West Midlands DY8 4PS  
ENGLAND  
44-138-444-6688