

LUMEX[®]

A Graham-Field Brand

HYBRIDLX[™]



LX1000 Rollator / Transport Chair

User Manual

LX1000-INS-LAB-RevB12
© 2012 GF Health Products, Inc.

**Read this manual before assembling or using the
HybridLX[™] Rollator / Transport Chair.**

Save this manual for future reference.

CONTENTS

- INTRODUCTION 2
- PRODUCT DESCRIPTION 2
- INTENDED USE 3
- SAFETY GUIDELINES—PLEASE READ BEFORE USE 3
- WARNING / CAUTION SUMMARY 3
- RAMPS AND INCLINES 4
- CURBS AND STEPS 4
- UNPACKING 5
- ASSEMBLY 5
- FRONT WHEELS 5
- REAR WHEELS 6
- SEAT 6
- STORAGE BAG 6
- FOOTRESTS 7
- OPERATION 8
- ROLLATOR MODE 8
- TRANSPORT CHAIR MODE 9
- CLEANING AND MAINTENANCE 9
- STORAGE AND TRANSPORT 10
- SPECIFICATIONS 11
- LIMITED WARRANTY 11
- RODADOR / SILLA DE TRANSPORTE MANUAL USUARIO (EN ESPAÑOL) 13

INTRODUCTION

This manual contains assembly, operation and maintenance instructions for your HybridLX™ Rollator / Transport Chair. Read the entire manual carefully before using your HybridLX™, and refer to it during use if you have questions.

PRODUCT DESCRIPTION



INTENDED USE

The intended use of the HybridLX™ is as a Rollator, a walking aid with wheels, manipulated by both arms. When used as a transport chair, the HybridLX™ is intended only for short rest periods.

The intended user is between approximately 5'4" and 6'2" (163cm and 188cm) in height.

⚠ WARNING: This product has a maximum weight capacity of 300 lb, EVENLY DISTRIBUTED.

⚠ WARNING: To avoid possible tilt hazard, when in transport chair mode, do not leave user unattended. Attendant must always be behind and in control of HybridLX™ when in transport chair mode.

SAFETY GUIDELINES—PLEASE READ BEFORE USE

The safety statements presented in this chapter refer to the basic safety information that the HybridLX™ user shall pay attention to and abide by. There are additional safety statements in other chapters or sections, which may be the same as or similar to the following, or specific to the operations. Please note the following special statements, used throughout this manual, and their significance:

⚠ WARNING: Indicates a potential hazard situation or unsafe practice that, if not avoided, could result in death or serious personal injury.

⚠ CAUTION: Indicates a potential hazard or unsafe practice that, if not avoided, could result in minor or moderate personal injury.

▲ NOTICE: Indicates a potential hazard or unsafe practice that, if not avoided, could result in product or property damage.

Info: Provides application recommendations or other useful information to ensure that you get the most from your product.

WARNING / CAUTION SUMMARY

⚠ WARNING: Important! Read and understand these instructions before assembling or using the HybridLX™ Rollator/Transport Chair. Ensure that the HybridLX™ is assembled as described in the following pages before use. If the HybridLX™ is not properly assembled and adjusted, personal injury and/or damage to the HybridLX™ could result.

⚠ WARNING: DO NOT use this product without proper instruction from a healthcare professional.

⚠ WARNING: GF Health Products, Inc. assumes no responsibility for any damage or injury caused by improper assembly or use of this product.

⚠ WARNING: If components are damaged or missing, contact your dealer immediately. DO NOT use substitute parts.

⚠ WARNING: Inspect the HybridLX™ weekly for proper function and wear. If any component is not in proper working order or appears worn, contact your authorized Graham-Field® distributor for repair and/or appropriate replacement parts.

⚠ WARNING: DO NOT operate the HybridLX™ on streets or roadways.

⚠ WARNING: DO NOT operate the HybridLX™ on hilly or rough terrain, sand, wet, slippery or icy surfaces, or surfaces with impaired traction. Ensure that pathway is clear of all obstacles.

- ⚠ WARNING: The HybridLX™ does not offer seating or occupant restraint equivalent to the seat provided in a motor vehicle! To increase your safety while traveling in a motor vehicle, always transfer to the vehicle seat and use the restraint provided by the vehicle manufacturer.**
- ⚠ WARNING: DO NOT tie down or attach anything to the wheels. This could cause tipping and possibly result in injury or damage to the HybridLX™.**
- ⚠ WARNING: Doing a "wheelie" (tilting the HybridLX™ backward until it reaches its balance point) is dangerous and could result in personal injury to the user.**
- ⚠ WARNING: DO NOT stand or step on the footplates while transferring to or from the HybridLX™. This could cause the HybridLX™ to tip, or could cause personal injury or damage to your HybridLX™.**
- ⚠ WARNING: Ensure that HybridLX™ is on a stable, level surface and engage handbrakes before and during transfer or using an elevator.**
- ⚠ WARNING: Unauthorized modification or the use of non-Lumex® replacement parts could change the structure of the HybridLX™, void the warranty, and create a hazardous condition resulting in serious personal injury.**
- ⚠ WARNING: DO NOT use your HybridLX™ on stairs or escalators.**
- ⚠ WARNING: GF Health Products, Inc. specifically disclaims responsibility for any personal injury or property damage which may occur during any use which does not comply with federal, state, or local laws or ordinances.**

RAMPS AND INCLINES

- ⚠ WARNING: DO NOT leave the HybridLX™ on an incline.**
- ⚠ WARNING: DO NOT turn the HybridLX™ while going downhill, as the HybridLX™ could become unstable or tip over.**
- ⚠ WARNING: DO NOT attempt any incline or decline greater than six degrees (10% grade, or one foot of rise or fall per ten feet of ramp length).**

Ramps and inclines should only be negotiated with the assistance of an attendant. To attendant: Practice with a healthcare professional first before attempting ramps or inclines. Always inspect the ramp for hazards such as holes, slippery or uneven surfaces, etc. before starting up or down. If you can not see the entire ramp, ask someone to inspect it for you.

CURBS AND STEPS

- ⚠ WARNING: Never attempt to negotiate curbs or steps with your HybridLX™ without the assistance of an attendant.**
- ⚠ WARNING: Never attempt to negotiate stairs or escalators with your HybridLX™ under any circumstances.**

Curbs, steps and stairways are dangerous obstacles that confront the rollator / transport chair user. When you encounter curbs, find a way around, or use the ramps now available in most locations. If you encounter stairs or escalators and there is no ramp available, avoid the stairs or escalators by utilizing the disabled designated elevators now required in most locations. Curbs and steps should only be negotiated with the assistance of an attendant.

UNPACKING

Unless the HybridLX™ is to be used immediately, retain box and packaging materials for storage until use is required.

1. Check for obvious damage to the carton or its contents. If damage is evident, please notify the carrier and your Graham-Field® authorized distributor.
2. Remove all loose packing from the box.
3. Carefully remove all the components from the carton.

Each box should contain the following components:

- 1 HybridLX™ Frame
- 2 Rear Wheels (with 2 rear Lock Knobs)
- 2 Front Wheels
- 1 Storage Bag
- 1 Pair of Footrests

ASSEMBLY

FRONT WHEELS



Front Wheel Installation



Front Wheel Removal

Front Wheel Installation

1. Remove plastic wrapping from wheel.
2. Insert the wheel into the front frame with the fork pointing toward the back of the rollator, as shown at left above. You will hear a click when the wheel has been securely locked into position.

Front Wheel Removal

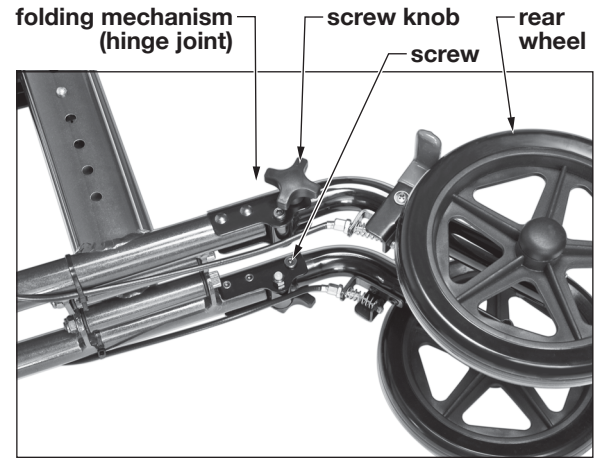
1. Press the red button, as shown at right above.
2. Pull the wheel out from the frame.

REAR WHEELS

Rear Wheel Installation

The rear wheels, which fold down for use, are connected to the rollator frame by the brake cable. To install the rear wheels:

1. Remove plastic wrapping from wheel.
2. Fold back the wheel with the folding mechanism so that it is fully extended.
3. Lock the wheel in extended position: Insert screw into tubing from inside of frame. Install washer on end of screw outside frame.
4. Install screw knob on end of screw and tighten by turning knob clockwise. Repeat for other side. Correct installation is shown in picture at right.



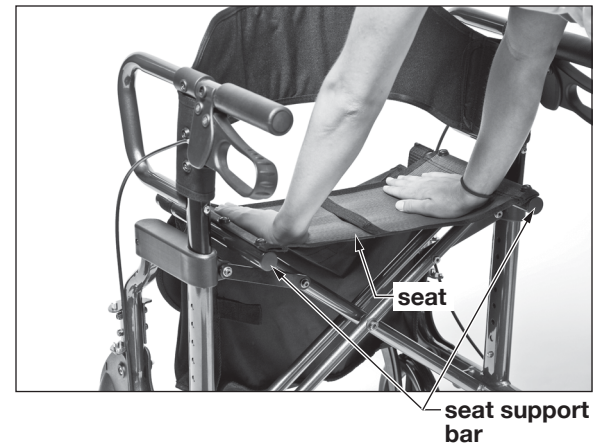
Rear Wheel Installation

SEAT

1. Once the wheels have been securely installed, turn the rollator to upright position.
2. Push down on both the left and right side of the seat to securely lock the seat support bars into place.

Info: You will hear a click when the seat locks into position.

⚠ WARNING: Avoid putting your fingers under the seat support bars when locking the seat into position.



Locking Seat Into Place

Handle Height Adjustment

1. The HybridLX™ handle height can be adjusted very easily. To adjust the handle height, press the push button on the side of the rollator and adjust to the best height for the user. Ensure that the push button locks in one of the adjustment holes to secure its position.
2. Repeat for other side.

Info: A recommended guideline for proper handle height positioning is to position the handle at wrist height of the user. Your healthcare professional, distributor or caregiver should assist you in finding the best handle height for you.

STORAGE BAG

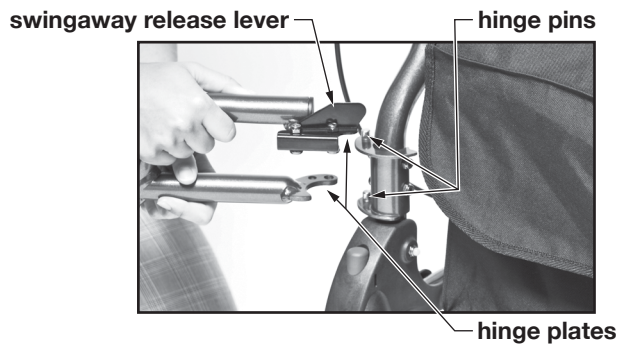
The storage bag is already installed onto the seat support bars. The storage bag can be conveniently removed to place items and then reattached, no tools needed.



Handle/Height Adjustment

FOOTRESTS

⚠ WARNING: DO NOT stand on the footplates; this could cause the HybridLX™ to tip.



Footrest Installation



Footrests Installed

Installation

1. Attach the footrest to the rollator frame by mounting the footrest hinge plates on the rollator hinge pins, as shown above.
2. Push the footrest towards the front of the rollator to lock it into position.
3. Ensure that the footrest is locked in place before use. Repeat for other side.

Length Adjustment

1. Press down on the locking button and adjust footplate to the desired length.
2. Repeat for other side. Ensure that the locking buttons are secure in the extension holes to properly lock into position.

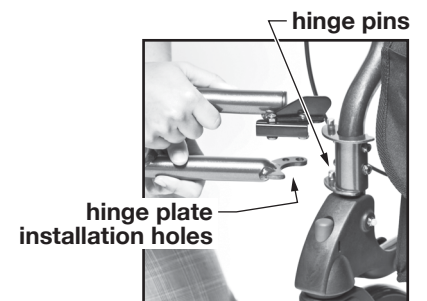
Removal

1. Pull on the swingaway release lever to release footrest. Footrest will swing outward.
2. Lift footrest straight up off rollator hinge pins.

Storage

Footrests can be conveniently stored in the storage bag when not in use. When not in use, footrests can also remain attached to the rollator by simply attaching the lower hinge plates to both lower hinge pins as shown at right. This will keep the footrest in place and allow the user to move freely.

⚠ WARNING: Ensure that footrests are locked in place before use.



Footrest Not-in-Use Attachment

OPERATION

- ⚠ WARNING: Read the safety section and operating instructions in this manual before use.**
- ⚠ WARNING: Before using the HybridLX™, ensure that the wheels are securely attached to the frame, that the seat is fully in its locked position, and that the push buttons protrude fully through the height adjustment holes for the armrests and legs.**

Before proceeding, ensure that all instructions in the previous section, **ASSEMBLY**, have been followed, and that you have read the **SAFETY** section of this manual.

ROLLATOR MODE

Rollator Setup

The photo at right shows the HybridLX™ in Rollator mode. To keep the backrest away from your hands, position the backrest away from the handles as shown at right.

Walking With Your Rollator

1. Move your rollator slowly forward and always be sure that the rear wheels are a few inches ahead of your body.
2. Select a pace that is comfortable for you.

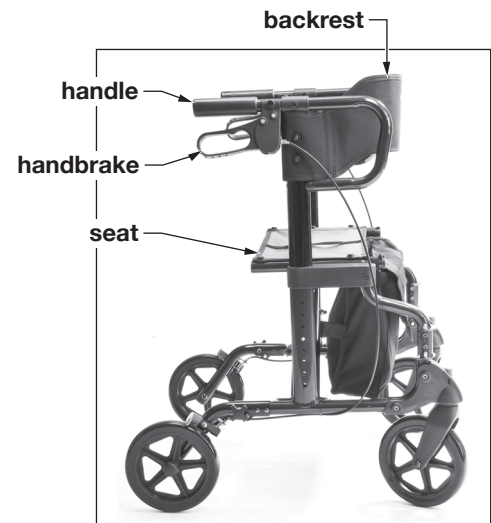
Stopping With Your Rollator

The rollator has loop locking handbrakes. To slow down, squeeze the handbrakes upward toward the handles. To hold the rollator in a stationary position, push the handbrakes down, away from the handles, until the handbrakes lock into place; the rear wheels will be locked in place. To release, pull the handbrakes upward toward the handles until the rear wheels move freely.

To Sit in Rollator

1. Push the handbrakes down, away from the handles, until the handbrakes lock into the parked position.
2. Test the wheels before sitting down to ensure the rollator will not roll.
3. Before sitting, touch the back of your legs to the edge of the seat to ensure proper positioning of the rollator.
4. Hold onto handles or top armrests of rollator if necessary to help you lower your body onto the seat.

- ⚠ WARNING: Distribute your body weight evenly on the HybridLX™.**
- ⚠ WARNING: DO NOT lean on one side of the HybridLX™.**
- ⚠ WARNING: Ensure that handbrakes stop rollator and lock in place appropriately before occupying or operating rollator. If your handbrakes are not operating correctly, please see your Graham-Field® authorized distributor immediately for service.**



Rollator Mode

TRANSPORT CHAIR MODE

The photo at right shows the HybridLX™ in Transport Chair mode.

To use in Transport Chair mode

You must have someone to accompany you for use as transport chair.

⚠ WARNING: To avoid possible tilt hazard, when in transport chair mode, do not leave user unattended. Attendant must always be behind and in control of HybridLX™ when in transport chair mode.

Transport Chair Setup

1. Position the backrest closest to the handles by pushing the backrest toward the handles as shown at right.
2. Use the handbrakes to immobilize the transport chair.
3. Attach the footrests and flip the footplates up to allow user to sit.
4. Ensure the user is seated safely and comfortably.
5. Fold footplates down and ensure footrest lengths are the same.
6. Unlock the handbrakes and move about freely and carefully.

CLEANING AND MAINTENANCE

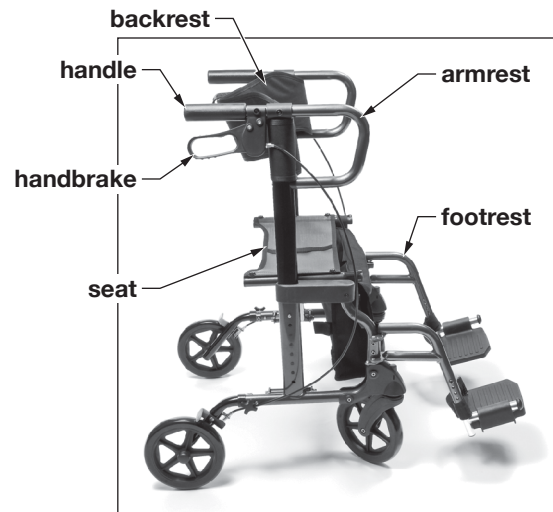
Use a clean, soft cloth and warm water to clean the HybridLX™ frame, handles, footrests and wheels. Rinse and air dry.

▲ NOTICE: Do NOT use solvents and other cleaning solutions to clean the frame or the fabric of this product.

Check fit and tightness of all nuts, bolts and knobs weekly.

⚠ WARNING: Inspect the HybridLX™ weekly for proper function and wear. If any component is not in proper working order or appears worn, contact your Graham-Field® authorized distributor for repair and/or appropriate replacement parts.

⚠ WARNING: The use of non-Lumex® replacement parts will void the warranty, and could create a hazardous condition resulting in serious personal injury.



Transport Chair Mode

STORAGE AND TRANSPORT

The HybridLX™ is designed for easy folding and storage.

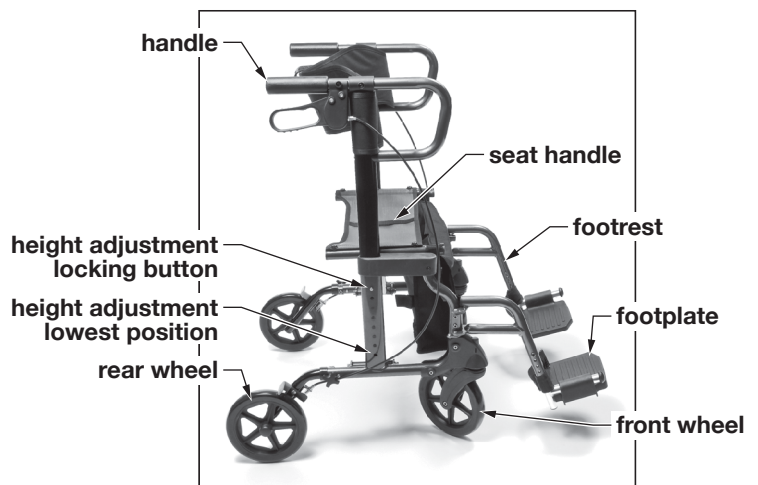
To Fold for Transport

1. Fold the footplates up.
2. Pull the small handle on the middle of the seat up to release the seat from the seat support bars.
3. Push the handles together; the HybridLX™ will fold easily and be ready for transport.

A Lumex® Carry Bag (*Item LX1000-CB*) can be purchased as an accessory for convenient transportation.

To Store

1. Adjust the handle height to the lowest position.
2. Pull the small handle on the middle of the seat up to release the seat from the seat support bars.
3. Remove the footrests (if used) from the frame: Pull on the swingaway release levers to release the footrests; footrests will swing outward. Lift footrests straight up off rollator hinge pins.
4. Remove the front wheels: Press the red buttons to release them from the frame.
5. Lay the HybridLX™ on the floor to fold the rear wheels.
6. Remove the rear wheel locks: Turn the rear lock knobs counterclockwise and remove the screws. Fold rear wheels.
7. It is not required that you remove the storage bag from the HybridLX™.
8. Place HybridLX™ in the Carry Bag, if available.
9. Place front wheels and footrests in the Carry Bag.
10. Close the Carry Bag zipper.



Prepare for Transport / Storage

SPECIFICATIONS

Item Number	LX1000B (Majestic Blue)	
	LX1000T (Titanium)	
Dimensions	Width	Inside Handgrips: 18.5" (470mm)
		Overall: 26" (660mm)
	Depth	Overall: 37" (940mm)
		Front to Rear: 22.44" (570mm)
		Folded: 9.448" (240mm)
	Height	Minimum: 30" (770mm)
		Maximum: 37" (940mm)
		Seat to Floor: 21.25" (540mm)
		Approximate Intended User: 5'4" - 6'2" (163cm - 188cm)
	Retail Box LxWxH: 28.15" x 9.5" x 21.85" (71.5 x 24.1 x 55.5cm)	
Carton Box LxWxH: 29" x 10" x 23" (73.7 x 25.4 x 58.4cm)		
Weight	Maximum Weight Capacity: 300 lb (136kg), EVENLY DISTRIBUTED	
	Product Weight with Footrests: 22 lb (9.88kg)	
Seat	Material: Mesh	
	Width: 18" (460mm)	
	Depth: 11" (280mm)	
Backrest	Material: Polyester	
	Width: 21" (535mm)	
Wheels	Material: PVC	
	Dimensions: 8" x 1" (203 x 31mm)	

LIMITED WARRANTY

GF Health Products, Inc. ("Graham-Field") warrants the HybridLX™ Rollator/Transport Chair for defects in workmanship and materials for the following period:

Frame: three years

All other components: one year

During the warranty period, defective items will be repaired or replaced at GF Health Products, Inc. option. Warranty does not include any labor charges incurred in replacement part(s) installation or any associated freight or shipping charges to GF Health Products, Inc.

The warranties contained herein contain all the representations and warranties with respect to the subject matter of this document, and supersede all prior negotiations, agreements and understandings with respect thereto. The recipient of this document hereby acknowledges and represents that it has not relied on any representation, assertion, guarantee, warranty, collateral contract or other assurance, except those set out in this document.

GF Health Products, Inc.



Made in China

LUMEX[®]

A Graham-Field Brand

HYBRIDLX[™]



Rodador / Silla de Transporte Manual Usuario

LX1000-INS-LAB-RevB12
© 2012 GF Health Products, Inc.

**Lea este manual antes de ensamblar o utilizar
el Rodador/Silla de Transporte.
Por favor de guardar este manual para uso en el futuro.**

CONTENIDOS

INTRODUCCIÓN.....	2
DESCRIPCIÓN DEL PRODUCTO.....	2
USO ENTENDIDO	3
DIRECTRIZ DE SEGURIDAD – POR FAVOR LEA ANTES DE USO	3
SUMARIO DE ADVERTENCIAS Y CAUCIONES	3
RAMPAS Y INCLINAS.....	4
ACERAS Y ESCALERAS.....	4
DESEMPACAR	5
ASAMBLEA	5
RUEDAS DELANTERAS.....	5
RUEDAS TRASERAS	6
ASIENTO	6
AJUSTAMIENTO DE ALTURA DEL MANGO	6
BOLSA DE ALMACENAJE.....	6
REPOSAPIÉS.....	7
OPERACIÓN.....	8
MODO DE RODADOR.....	8
MODO DE SILLA DE TRANSPORTE	9
LIMPIANDO Y MANTENIMIENTO	9
ALMACENAJE Y TRANSPORTE	10
ESPECIFICACIONES	11
GARANTÍA LIMITADA.....	11

INTRODUCCIÓN

Este manual contiene las instrucciones de ensambla, operación y mantenimiento para su HybridLX™. Lea el manual entero cuidadosamente antes de usar su HybridLX™, refiera durante uso si usted tiene preguntas.

DESCRIPCIÓN DEL PRODUCTO



USO ENTENDIDO

El uso entendido del HybridLX™ es como un rodador, un ayuda de caminar con ruedas manipulado por dos brazos. Cuando usado como una silla de transporte, el HybridLX™ es entendido solamente para periodos de descanso corto.

El usuario entendido es dentro de aproximadamente 5'4" y 6'2" (163cm y 188cm) en altura.

- ⚠ ADVERTENCIA: Este producto tiene una capacidad máxima de peso de 300 lb, DISTRIBUIDO UNIFORMEMENTE.**
- ⚠ ADVERTENCIA: Para evitar peligro de inclinar, no deje al usuario desatendido. Atendente siempre tiene que estar atrás y en control de la silla de transporte cuando se está posicionando al usuario o cuando la silla de transporte está en uso.**

DIRECTRIZ DE SEGURIDAD – POR FAVOR LEA ANTES DE USO

Las declaraciones de la seguridad presentadas en este capítulo refieren a la información de seguridad básica que el usuario de HybridLX™ prestará la atención a y que respetará cerca. Hay declaraciones adicionales de la seguridad en otros capítulos o secciones, que pueden ser el iguales que o similares al siguiente, o específico a las operaciones. Observe por favor las declaraciones especiales siguientes, usadas a través de este manual, y su significación:

- ⚠ ADVERTENCIA: Indica una situación del peligro potencial o una práctica insegura que, si no evitado, podrían dar lugar a muerte o a daños corporales serios.**
- ⚠ PRECAUCIÓN: Indica un peligro potencial o una práctica insegura que, si no evitado, podrían dar lugar a daños corporales de menor importancia.**
- ▲ AVISO: Indica un peligro potencial o una práctica insegura que, si no evitado, podrían dar lugar a daños de menor importancia al producto o daños materiales.**

Info: Proporciona las recomendaciones del uso o la otra información útil de asegurarse de que consigue la mayoría de su producto.

SUMARIO DE ADVERTENCIAS Y CAUCIONES

- ⚠ ADVERTENCIA: Importante! Lea y entiende estas instrucciones antes de ensamblar o utilizar el Rodador/Silla de Transporte HybridLX™. Asegúrese que el rodador/silla de transporte esté ensamblado como descrito en los párrafos siguientes antes de uso. Si el HybridLX™ no está ensamblado en la manera correcta, daño personal o a la propiedad puede ocurrir.**
- ⚠ ADVERTENCIA: NO utilice este producto sin instrucciones de su profesional de la salud.**
- ⚠ ADVERTENCIA: GF Health Products, Inc. no asume responsabilidad alguna por daños o heridas causadas por ensamblaje incorrecto de este producto.**
- ⚠ ADVERTENCIA: Si componentes están dañados o no están presentes, contacte a su distribuidor de productos Graham-Field® inmediatamente. No substituya piezas.**
- ⚠ ADVERTENCIA: Revise el HybridLX™ semanalmente para función propio y uso. Si algún componente no está trabajando correctamente o se parece usado, contacte a su distribuidor de productos Graham-Field® para reparación y/o partes reemplazados.**
- ⚠ ADVERTENCIA: NO opere el HybridLX™ en calles o calzadas.**
- ⚠ ADVERTENCIA: NO opere el HybridLX™ en terreno agreste o monte, tierra, superficies mojadas y heladas, o superficies con tracción dañado. Asegúrese que el camino está libre de todos obstáculos.**

- ⚠️ ADVERTENCIA: El HybridLX™ no ofrece asiento o restricción de ocupante equivalente a la silla pródigo en un vehículo de motor! Para aumentar su seguridad mientras viajando en un vehículo de motor, siempre transfiere al asiento de vehículo y use una restricción pródigo por su fabricante de vehículo.**
- ⚠️ ADVERTENCIA: NO amarre o sujete nada a las ruedas. Esto puede causar volcado y posiblemente resultar en herida o daño al HybridLX™.**
- ⚠️ ADVERTENCIA: Haciendo un “wheelie” (volcando la silla de transporte hacia atrás hasta que llega a una punta de balance) es peligroso y puede resultar en herida personal al usuario.**
- ⚠️ ADVERTENCIA: NO debe pararse en los reposapiés de presión cuando transfiriendo a o del HybridLX™. Esto puede causar que la silla de transporte se vuelca o causar herida personal o daño al HybridLX™.**
- ⚠️ ADVERTENCIA: Asegúrese que el HybridLX™ está en un superficie estable y nivel, y engrane los frenos de mano antes de y durante transfiriendo o usando un elevador.**
- ⚠️ ADVERTENCIA: Modificación no autorizado o uso de partes de reemplace que no son de Lumex® puede cambiar la estructura del HybridLX™, puede ser que la garantía se hace inválida, y causar una condición peligroso resultando en herida seria personal.**
- ⚠️ ADVERTENCIA: GF Health Products, Inc. específicamente renuncia responsabilidad por cual quiere herida personal o daño a propiedad que puede ocurrir durante uso que no cumple con las leyes federales, del esta o leyes y ordenanzas locales.**

RAMPAS Y INCLINAS

- ⚠️ ADVERTENCIA: NO deje el HybridLX™ en una inclina.**
- ⚠️ ADVERTENCIA: NO de vuelta al HybridLX™ mientras yendo cuesta abajo, o si no el HybridLX™ puede volcar.**
- ⚠️ ADVERTENCIA: NO intente cual quiere inclina o descenso mas de seis grados (10% pendiente, o un pie mas alto o caer por diez pies de longitud del rampa.**

Rampas y Inclinas deben ser negociados con la asistencia de un atendiente. Para el atendiente: Practica con un profesional de cuidado de salud antes de tratar rampas y inclinas. Siempre examine la rampa para peligros como huecos, superficies resbalosas o desiguales, etc. antes de subir y bajar. Si no puede ver la rampa entera, pide ayuda de alguien que lo puede examinar para usted.

ACERAS Y ESCALERAS

- ⚠️ ADVERTENCIA: Nunca trate de negociar aceras y escaleras con su HybridLX™ sin asistencia de un atendiente.**
- ⚠️ ADVERTENCIA: Nunca trate de negociar aceras y escaleras con su HybridLX™ debajo cual quiere circunstancia.**

Aceras y escaleras son obstáculos peligrosos para usuarios de rodador/silla de transporte. Cuando se encuentra con aceras, busca otra manera o use una rampa que son disponibles en la mayoría de sitios. Si se encuentra con escaleras o escaleras mecánicas y no hay rampa disponible, evite las escaleras y escalera mecánica y utilice un elevador para los decapitados requeridos en la mayoría de sitios. Aceras y escaleras deben ser negociados con la asistencia de un atendiente.

DESEMPACAR

A menos que el HybridLX™ va ser usado inmediatamente, guarde la caja y materiales de almacenaje para almacenaje hasta que uso es requerido.

1. Cheque por daño obvio al cartón y los contenidos. Si hay daño evidente, notifique a su compañía de transportes y a su distribuidor autorizado de Graham-Field®.
2. Remueve todo las materiales de almacenaje suelto de la caja.
3. Con cuidado remueve todos los componentes del cartón.

Cada caja debe contener los componentes siguientes:

- 1 Marco del HybridLX™
- 2 Ruedas Traseras (con dos perillas de cierre traseras)
- 2 Ruedas Delanteras
- 1 Bolsa de Almacenaje
- 1 Par de Reposapiés de presión

ASAMBLEA

RUEDAS DELANTERAS



marco — horquilla (indicando hacia atrás)

Instalación de Rueda Delantera



botón de desconexión fácil de rueda delantera

Remover la Rueda Delantera

Instalación de Rueda Delantera

1. Remueva el plástico envoltorio de la rueda.
2. Inserta la rueda en el marco del frente con la horquilla indicando a la parte trasera del rodador, como se ve en la foto a la izquierda. Vas a oír un “clic” cuando la rueda está puesto seguramente en posición.

Remover la Rueda Delantera

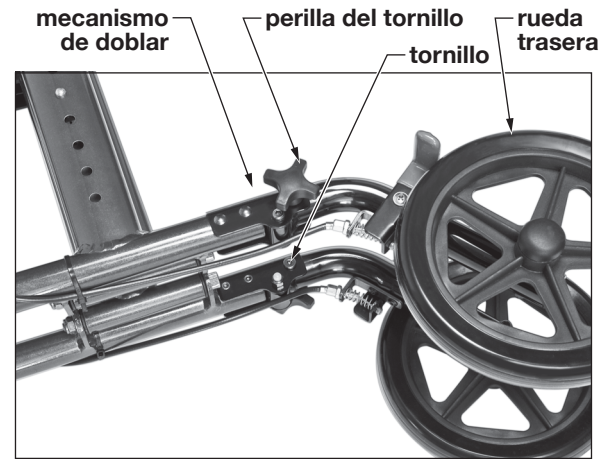
1. Apreté el botón rojo, como se ve en la foto a la derecha.
2. Jale la rueda del marco.

RUEDAS TRASERAS

Instalación de las Ruedas Traseras

Las ruedas traseras, que se doblan por abajo para uso, son conectadas al marco del rodador por los cables de freno. Para instalar las ruedas traseras:

1. Remueva el plástico envoltorio de la rueda.
2. Doble la rueda con el mecanismo de doblar de modo que sea completamente extendida.
3. Asegure la rueda en la posición extendida: Inserte el tornillo en el tubo por la parte adentro del marco. Ponga el arandela en la punta del tornillo en la parte de afuera del marco.
4. Instale la perilla del tornillo en la punta del tornillo y asegúrelo dando vuelta a la derecha. Repita para el otro lado. Instalación correcta es mostrado en la foto a la derecha.



Instalación de Rueda Trasera

ASIENTO

1. Una vez que las ruedas están instaladas seguramente, ponga el rodador en la posición vertical.
2. Apriete en ambos lados del asiento para asegurar que las barras de soporte del asiento están en posición.

Info: Vas a oír un “clic” cuando el asiento se cierre en posición.

⚠ ADVERTENCIA: Evite poner sus dedos debajo de las barras de soporte del asiento cuando poniendo el asiento en posición.



Cerre en Posición el Asiento

AJUSTAMIENTO DE ALTURA DEL MANGO

1. La altura de los mangos del HybridLX™ pueden ser ajustado fácilmente. Para ajustar la altura del mango, apriete el botón al lado del rodador y ajuste la altura mejor para el usuario. Asegúrese que el botón se cierre en uno de los huecos de ajustamiento seguramente en posición.
2. Repita para el otro lado..

Info: Una directriz recomendado para posición apropiado de altura del mango es para posicionar el mango a la altura de la muñeca del usuario. Su profesional de cuida de salud, distribuidor o cuidador debe asistirle en encontrar la mejor altura del mango para usted.

BOLSA DE ALMACENAJE

La bolsa de almacenaje ya está instalada en las barras de soporte del asiento. La bolsa de almacenaje puede ser removida para poner artículos y puesto de nuevo sin herramientas.



Ajustamiento de Altura del Mango

REPOSAPIÉS

⚠ ADVERTENCIA: NO DEBE pararse en los reposapiés; esto puede causar que el HybridLX™ se vuelca.



Instalación

1. Sujeta los reposapiés al marco del rodador montándolos en el botón grande de plato cerca de la rueda delantera como se ve arriba.
2. Apriete el reposapié hacia afrente del rodador para asegurar el cierre de leva en posición. Repita para el otro lado.
3. Asegure que los reposapiés están asegurados antes de uso.

Ajustamiento de Largo

1. Apriete el botón y ajústelo al largo deseado. Repita para el otro lado.
2. Asegúrese que los botones están seguramente en los huecos de extensión para asegurarlos en posición.

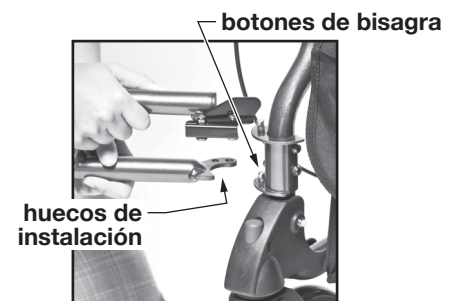
Remover

1. Jale en el cierre de leva para soltar el reposapié. El reposapié se virar hacia afuera.
2. Remueve el reposapié de los botones grandes plateados. Repita para el otro lado.

Almacenaje

Reposapiés pueden ser almacenados convenientes en la bolsa de almacenaje cuando no en uso. Cuando no en uso, reposapiés también pueden quedarse en el rodador en poniéndolos en el botón grande plateado y el botón pequeño acerca del grande. Este mantiene el reposapiés en su sitio y permite que el usuario mueva fácilmente.

⚠ ADVERTENCIA: Asegúrese que los reposapiés están asegurados en posición antes de uso.



OPERACIÓN

⚠ ADVERTENCIA: Lea la sección de seguridad y instrucciones de operación en este manual antes de usar.

⚠ ADVERTENCIA: Antes de utilizar el HybridLX™, asegúrese que las ruedas están armados seguramente al marco, que la silla está en su posición asegurado, y que los botones sobresalen por los huecos del ajustamiento de altura para los apoyabrazos.

Antes de proceder, asegure que todas las instrucciones en la sección **ASAMBLEA** han sido seguido, y que ha leído la sección **SEGURIDAD** de este manual.

MODO DE RODADOR

Montaje de Rodador

La foto a la derecha enseña el HybridLX™ en modo de rodador. Para poner el respaldo lejos de sus manos, posicione el respaldo lejos de los mangos como mostrado.

Caminando Con Su Rodador

1. Mueva su rodador hacia adelante despacio y siempre asegúrese que las ruedas traseras estén algunas pulgadas adelante de su cuerpo.
2. Seleccione un paso que es confortable para usted.

Parando Con Su Rodador

El rodador tiene frenos de mano de curva. Para parar, apreté los frenos de mano hacia arriba a los mangos. Para mantener el rodador en una posición estacionario, apreté los frenos de mano hacia abajo, lejos de los mangos, hasta que los frenos de mano se aseguran en posición; las ruedas traseras se aseguran en posición. Para soltar, jale en los frenos de mano hacia arriba hasta que los mangos de las ruedas traseras se mueven fácilmente.

Para Sentarse en el Rodador

1. Apreté los frenos de mano hacia abajo, lejos de los mangos hasta que los frenos de manos están asegurados en la posición parqueados.
2. Prueba las ruedas antes de sentarse para asegurar que el rodador no va dar vuelta.
3. Antes de sentarse, toque el borde del asiento con la parte atrás de sus piernas para asegurar la posición apropiado para el rodador.
4. Aguante sobre los mangos o la parte arriba de los apoyabrazos del rodador si necesario para ayudarle sentarse en el asiento.

⚠ ADVERTENCIA: Distribuye su peso del cuerpo uniformemente en el HybridLX™.

⚠ ADVERTENCIA: NO DEBE inclinarse sobre un lado del HybridLX™.

⚠ ADVERTENCIA: Asegúrese que los frenos de mano paran al rodador y se aseguran en posición apropiadamente antes de ocupar o operar el rodador. Si los frenos de mano no operan correctamente, por favor de contactar a su distribuidor autorizado de Graham-Field® inmediatamente para servicio.



Moda de Rodador

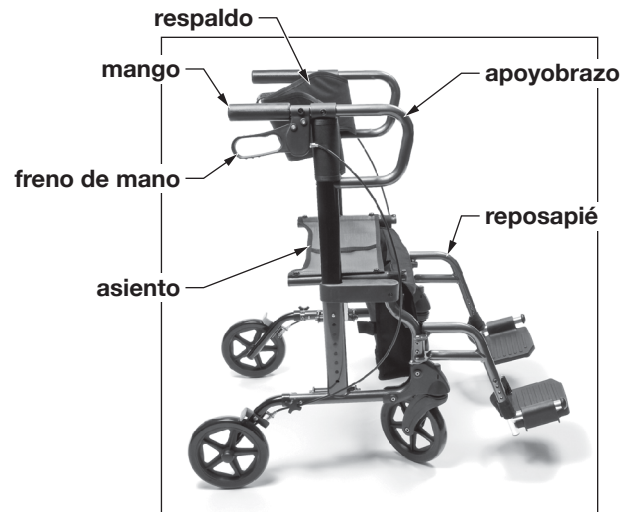
MODO DE SILLA DE TRANSPORTE

La foto del HybridLX™ que se mostrar a la derecha es de modo de Silla de Transporte.

Para Usar en modo de Silla de Transporte:

Tiene que tener a alguien para acompañar para usar como silla de transporte.

⚠ ADVERTENCIA: Para evitar peligro de inclinar, no deje al usuario desatendido. Atendente siempre tiene que estar atrás y en control de la silla de transporte cuando se está posicionando al usuario o cuando la silla de transporte está en uso.



Moda de Silla de Transporte

Montaje de Silla de Transporte

1. Posicione el respaldo lo más cerca a los mangos empujando el respaldo hacia los mangos como mostrado.
2. Use los frenos de mano para inmovilizar su silla de transporte.
3. Sujeta los reposapiés y voltea la plataforma para permitir que se siente el usuario.
4. Asegúrese que el usuario está sentado seguramente y confortablemente.
5. Doble las plataformas hacia abajo y asegúrese que los reposapiés tienen la misma longitud.
6. Abre los frenos y mueve cuidadosamente.

LIMPIANDO Y MANTENIMIENTO

Use una toalla limpia y suave con agua tibia para limpiar el marco, los mangos, reposapiés y ruedas del HybridLX™. Enjuague y deja que se seca al aire libre.

▲ AVISO: NO DEBE usar solventes o otras soluciones de limpiar para limpiar el marco o la fábrica de este producto.

Asegure que todos los tuercas, tornillo y tiradores están apretados semanalmente para asegurar que el HybridLX™ está seguro para usar.

⚠ ADVERTENCIA: Revise el HybridLX™ semanalmente para función propio y uso. Si algún componente no está trabajando correctamente o se parece usado, contacte a su distribuidor de productos Graham-Field® para reparación y/o partes reemplazados.

⚠ ADVERTENCIA: Uso de partes de reemplazo que no son de Lumex® puede cambiar la estructura del HybridLX™, puede ser que la garantía se hace inválida, y causar una condición peligroso resultando en herida seria personal.

ALMACENAJE Y TRANSPORTE

El HybridLX™ es diseñado para doblar y almacenaje fácil.

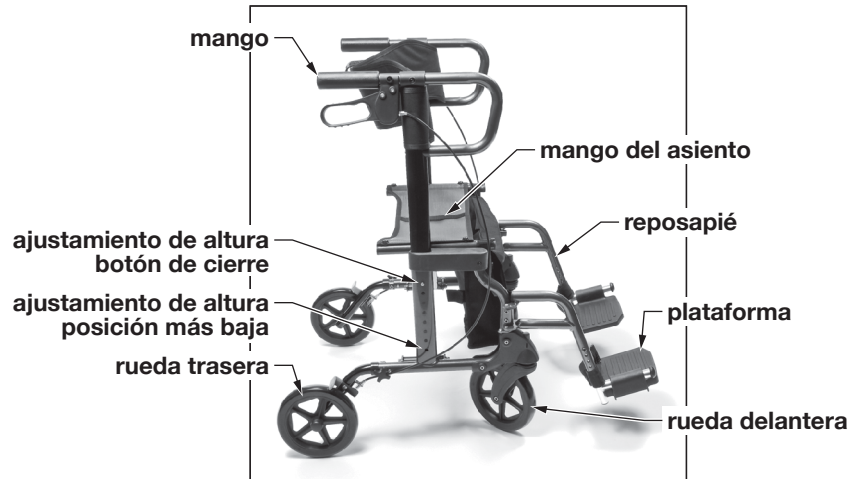
Para Doblar la Silla de Transporte

1. Doble las plataformas hacia arriba.
2. Jale el mango pequeño en el medio de la silla para retirar el asiento de las barras de soporte del asiento.
3. Apreté los mangos juntos; el HybridLX™ se dobla fácilmente para transporte.

Se puede ordenar una Bolsa de Cargar de Lumex® (Ítem LX1000-CB) para transportación conveniente.

Para Guardar

1. Ajuste la altura del mango a la posición mas baja.
2. Jale el mango pequeño en el medio del asiento para retirar el asiento de las barras de soporte del asiento.
3. Remueve los reposapiés (si usado) del marco; jale en el cierre de leva para retirar los reposapiés; de vuelta a los reposapiés hacia los lados del rodador, y remueva los reposapiés de los botones grandes plateados.
4. Remueve las ruedas delanteras: Apreté los botones rojos para retirarlos del marco.
5. Ponga el HybridLX™ en el piso cuando está doblando las ruedas traseras.
6. Remueve el tornillo para doblar las ruedas traseras. Las ruedas traseras no se retiran del marco del rodador.
7. No es necesario que retira la bolsa de almacenaje del HybridLX™.
8. Ponga el HybridLX™ en la Bolsa de Cargar (si lo compre).
9. Ponga las ruedas traseras, ruedas delanteras y los reposapiés en la Bolsa de Cargar.
10. Cierre la bolsa de Cargar con el cierre.



Prepararse para Transporte / Almacenaje

ESPECIFICACIONES

Ítem Número	LX1000B (Azul Majestoso)	
	LX1000T (Titanio)	
Dimensiones	Anchura	Dentro de Mangos: 18.5" (470mm)
		Total: 26" (660mm)
	Profundidad	Total: 37" (940mm)
		De frente a Atrás: 22.44" (570mm)
		Doblado: 9.448" (240mm)
	Altura	Mínimo: 30" (770mm)
		Máximo: 37" (940mm)
		Asiento al Piso: 21.25" (540mm)
		Usuario Entendido Aproximadamente: 5'4" - 6'2" (163cm - 188cm)
	Caja de Detalle LxWxH: 28.15" x 9.5" x 21.85" (71.5 x 24.1 x 55.5cm)	
Caja de Cartón LxWxH: 29" x 10" x 23" (73.7 x 25.4 x 58.4cm)		
Peso	Capacidad Máxima de Peso: 300 lb (136kg), DISTRIBUIDO UNIFORMEMENTE	
	del Producto con Reposapiés: 22 lb (9.88kg)	
Asiento	Material: Malla	
	Anchura: 18" (460mm)	
	Profundidad: 11" (280mm)	
Respaldo	Material: Poliéster	
	Anchura: 21" (535mm)	
Ruedas	Material: P.V.C.	
	Dimensiones: 8" x 1" (203 x 31mm)	

GARANTÍA LIMITADA

GF Health Products, Inc. ("Graham-Field") ofrece una Garantía Limitada para el HybridLX™ Rodador y Silla de Transporte por mano de obra y materiales por lo siguiente periodo:

Marco: tres años

Otras partes: un año

Durante el periodo de garantía, ítems defectuosos serán reemplazados o reparados en nuestra discreción. La garantía no incluye ninguna cargas de trabajo contraída en la instalación de las partes reemplazados o cualesquiera cargas asociadas de la carga o de envío a GF Health Products, Inc.

Las garantías que figuran en este documento contiene todas las declaraciones y garantías en relación con la materia objeto de este documento, y sustituyen todas las negociaciones previas, acuerdos y entendimientos con respecto a la misma. El receptor del presente documento reconoce y declara que no ha basado en ninguna declaración, afirmación, garantía, contrato de garantía u otra promesa, excepto los establecidos en este documento.

GF Health Products, Inc.



Fabricado en China