

3B Board

Instruction for Use

immedia[®]
a part of Etac



Illustrations

Illustration 1

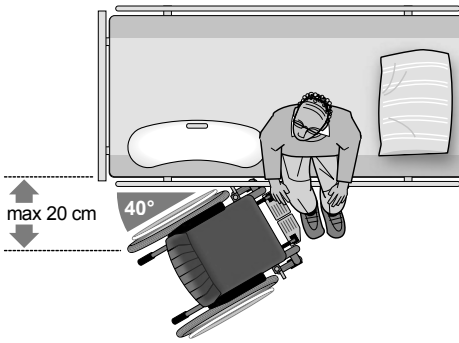


Illustration 2

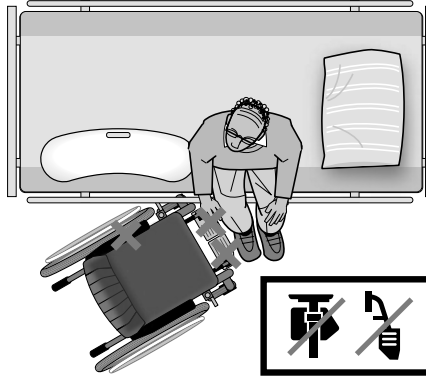


Illustration 3

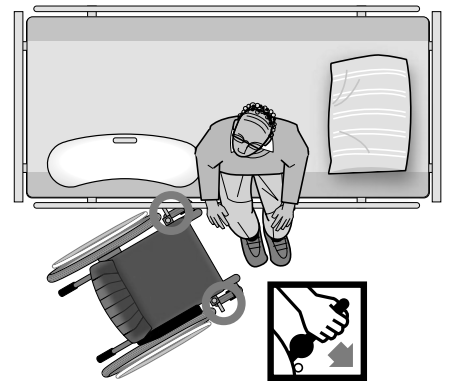


Illustration 4

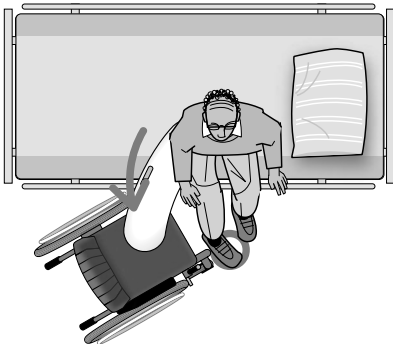


Illustration 5

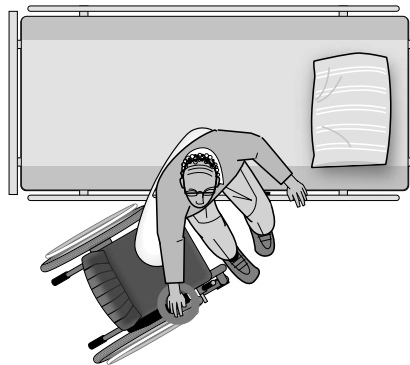


Illustration 6

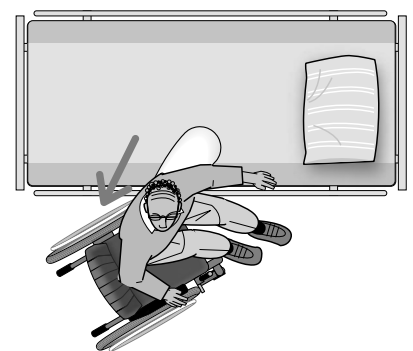


Illustration 7

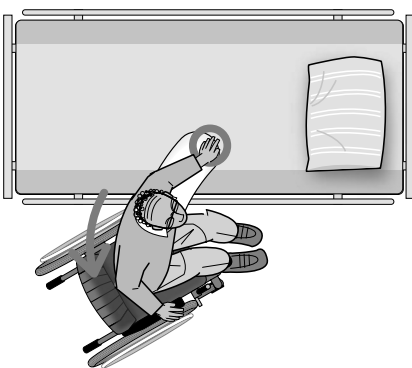
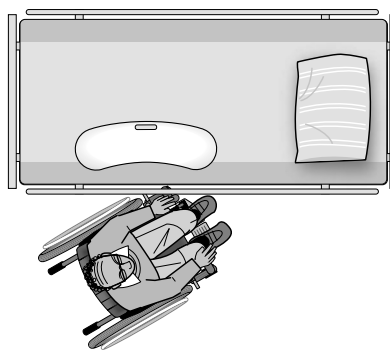


Illustration 8



Contents

Heading	Page
General/Symbols/Intended use/Intended enviroment	4
Practical handling.....	5
Notice/Materials/Cleaning	6
Articles/Combinations.....	7
Service Information.....	8

General

Thank you for choosing an Etac product.

To avoid accidents and injury when moving and handling the products, read the manual carefully.

The person described as "the user" in this user manual is the person who is lying or sitting on the product. The assistant or assistants are the people who manoeuvre the product.



This symbol appears alongside the text in the manual. It draws the reader's attention to points at which there may be a risk to the health and safety of the user or assistant.

The products comply with the standards applicable for Class 1 products in the European Council Directive MDD 93/42/EEC on medical devices.

Lot no/Batch no:

x	x	x	x	x	x	x	x	x	x
Production year					Running number				

At Etac we strive to improve our products all the time and therefore we reserve the right to make changes to products without prior warning. All measurements given on illustrations and similar material are for guidance only and Etac cannot be held liable for errors and defects.

The information given in this manual, including recommendations, combinations and sizing, does not apply to special orders and modifications. If the customer makes adjustments, repairs or combinations not predetermined by Etac, the Etac CE certification and Etac warranty will be voided. If in doubt, please contact Etac.

Warranty: Two-year warranty on material and manufacturing defects, provided that the product is used correctly.

For further information on the Etac transfer range, see www.etac.com.

The product can be scrapped in accordance with national regulations.

Symbols



Washing



Iron



Never leave on the floor



User mass limit = maximum rated load



Handwash



Do not dryclean



Warning



Wipe off



Do not bleach



Read the User Manual



Tumbledry



Risk of sliding down



Batch no./Lot no.



Keep out of the sun



Manufacturer



Class 1 - European Council Directive MDD 93/42/EEC on medical devices

Intended use

The 3B Board can be used to transfer users from wheelchair to bed, bath/bathchair, car seat, etc., and vice versa.

Intended environment

Acute care, Long-term care, Home care

Practical handling

Positioning

Position the wheelchair at an angle of about 40° to the bed (Illustration 1). Position the 3B Board so that the non-slip circles on the backside lie securely against the wheelchair seat and the surface of the bed on the other side (Illustration 4).

Positioning is easier if the user either leans in the opposite direction or shuffles him/herself sideways to sit on the glide board (Illustration 5)

Use

The user can now slide/"shuffle" slowly over into the wheelchair by pushing himself away from the mattress (Illustration 6 + 7).

Depending on the users resources, the assistant can guide the user, supporting the upper body, possibly using a Support Belt, Smartmove or Sling.

Tips

If a slope is established (e.g. if the bed is slightly higher than the wheelchair), the user will slide more easily from one to the other.

In connection with manual handling, it will often be an advantage to use a Pediturn turnplate for the feet and a Support Belt.

To remove the 3B Board, the user moves his/her weight away from the glide board, lifts and then pulls it free (Illustration 8).

Notice

Special features

Always check the product before use and after washing.

Never use a defective product. If the product shows signs of wear-and-tear, it must be scrapped.

Check the product before use and after cleaning.

Read these instructions carefully.

It is important that assistants receive instruction in manual handling. Etac offers advice and training for assistants. For further information, contact Etac.

Always use the correct manual handling techniques.

Encourage the client to assist where possible

To ensure that the client feels safe and that every manual handling is smooth, always plan the manual handling in advance.



There is a risk that the user may slide off. Never leave the user alone on the edge of the bed.



Never leave the product on the floor.



Always make a risk assessment, and secure that the assistive product can be used at the individual user and in combination with other devices that it is safe for the user and caregivers.



Never use the product under wet conditions as the underside of the board may become slippery in contact with water.



Remember to apply brakes to lock bed and wheelchair (Illustration 2 + 3).

If in any doubt - please contact Etac.

Materials

The 3B Board is made of polyethylene.

Cleaning

The product should be checked regularly, preferably each time it is used.



**Never try to repair a product yourself.
Never use a defective product.**

The 3B Board can be wiped off with soapy water or disinfectant.



Articles

Article no.	Description	Size (mm)
IM403	3B Board	W225 x L765

Combinations

Article no.	Description	Size (mm)
IM99836GT	PediTurn, turnplate for floor use	Ø400
IM99700	PediTurn, hard	Ø380
IM8017015	SupportBelt, 11 handles, X-large	W150 x L1700
IM8015013	SupportBelt, 8 handles, large	W130 x L1500
IM8013013	SupportBelt, 6 handles, medium	W130 x L1300
IM8010513	SupportBelt, 5 handles, small	W130 x L1050
IM8010509	SupportBelt, 4 handles, X-small	W90 x L1050
IM8009009	SupportBelt, 4 handles, XX-small	W90 x L900
IM428	Sling, 2x4 handles	W200 x L1850
IM425	SmartMove, 2 handles	W210 x L600
IM428K	Sling, 2 x 4 handles, short	W200 x L1200
IM426	SmartMove, 4 handles	W210 x L600

Service Information

Thank you for choosing an Etac product. If the customer makes adjustments, repairs or combinations not predetermined by Etac, the Etac CE certification and Etac warranty will be voided.

Warranty: Two-year warranty on material and manufacturing defects, provided that the product is used correctly. Before taking a product in service always make a risk assessment according to national and/or local legislation.

First inspection:

- Is the packaging intact?
- Read the label on the packaging and check the article no. and product description
- Check that Short Instruction is enclosed – updated User Manual/Instruction for use can be downloaded from www.etac.com or contact your Etac Customer Service or the local distributor.
- Check the label on the product - does it include article no., product description, lot/batch no., cleaning instructions and supplier name?

Periodic Inspection:

- Make sure that your Manual transfer system always is in a perfect condition.
- After wash – always check materials, stitching, handles, buckles.
- If the product shows signs of wear and tear, it must be removed from service immediately.
- Lot no/Batch no:

x	x	x	x	x	x	x	x	x	x
Production year		Running number							



Visual inspection/Check the product:

Ensure that the materials, seams, stitching, handles, buckles are intact/faultless.



Stability test:

Try to bend the product verify that it feels firm, stable and solid.



Mechanical load or stress/Test handles:

Draw hard in the handles in opposite directions and control the material, seams and stitching.
Test buckles:
Lock the buckle and draw in opposite directions, control the buckle and the stitching.



Test low/high friction:

Place the product on a firm surface or a bed, place your hands on the material and test the friction by pushing your hands down into the product.
Low friction – slides effortlessly
High friction – no sliding/moving

Check always:

<p>Manual transfer aids with handles, straps and buckles:</p>	<p>Manual transfer aids for sitting and lying transfer:</p>
<p>Manual transfer aids with high or low friction:</p>	<p>The product can be scrapped in accordance with national regulations</p> <p>Read the User Manual</p>

If in doubt, please contact Etac Customer Service or local distributor for more information and guidance.
For more information about training and the use of these products, contact the Etac transfer experts – www.etac.com.

Manufacture:

Etac Immedia A/S
Egeskovvej 12
DK-8700 Horsens, Denmark
etac.immedia@etac.com

Export:

Etac Immedia A/S
Egeskovvej 12
DK-8700 Horsens
etac.immedia@etac.com
www.etac.com/exp

Etac Sverige AB
Box 203, 334 24 Anderstorp, S
Tel +46 371-58 73 00
Fax +46 371-58 73 90
info@etac.se www.etac.se

Etac AS
Pb 249, 1501 Moss, N
Tel +47 815 69 469
Fax +47 69 27 09 11
hovedkontor@etac.no www.etac.no

Etac A/S
Egeskovvej 12, 8700 Horsens, DK
Tel +45 79 68 58 33
Fax +45 75 68 58 40
info@etac.dk www.etac.dk

Etac GMBH
Bahnhofstraße 131, 45770 Marl, D
Tel +49 236 598 710
Fax +49 236 598 6115
info@etac.de www.etac.de

Etac Holland BV
Fluorietweg 16a, 1812RR Alkmaar, NL
Tel +31 72 547 04 39
Fax +31 72 547 13 05
info.holland@etac.com www.etac.com

R82 UK Ltd.
Unit D4A, Coombswood Business Park, East Coombswood Way,
Halesowen, West Midlands B62 8BH, UK
Tel 0121 561 2222
Fax 0121 559 5437
R82uk@r82.com www.r82.co.uk

Snug Seat Inc.
12801 E. Independence Blvd., P.O. Box 1739, Matthews, NC 28106, US
Tel 1 800 336 7684
Fax 704 882 0751
information@snugseat.com www.snugseat.com



Creating possibilities