

3B Board

Short Instruction



Material

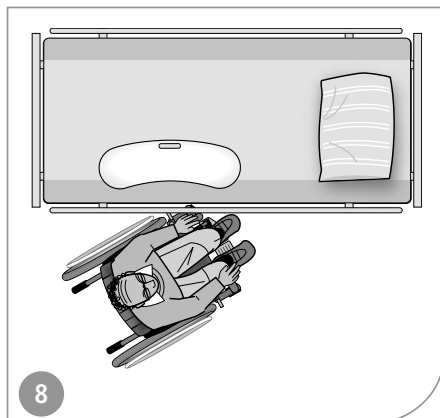
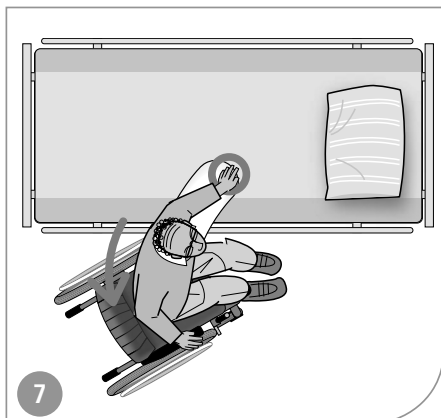
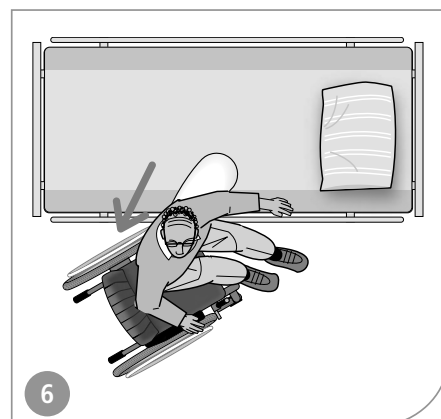
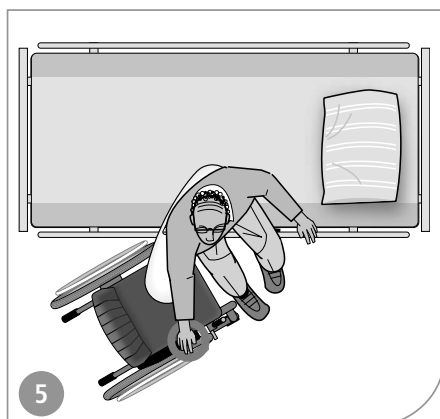
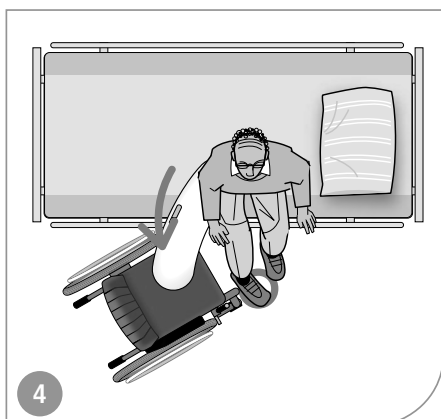
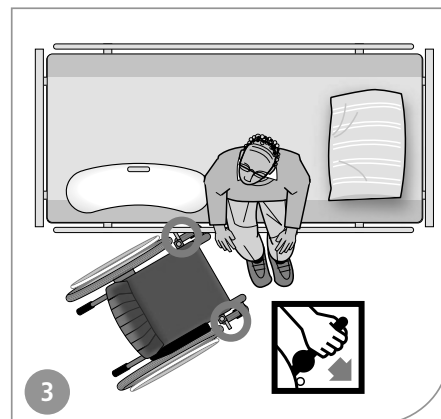
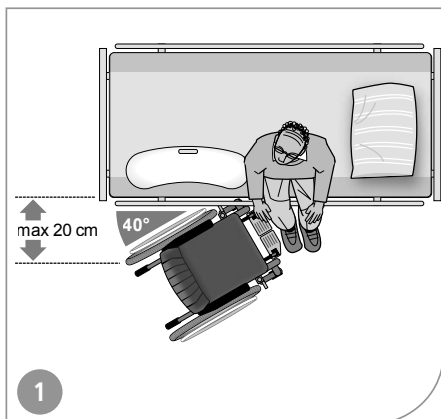
Polyethylen, HDPE

Class 1 - Medical device directive
MDD 93/42/EEC



Item no	EAN no	Size in mm
IM403	5708012451180	W225 x L765

3B Board



Check always:



Contact / Download

Etac A/S
info@etac.dk
www.etac.dk

Etac GmbH
info@etac.de
www.etac.de

Etac A/S
hovedkontor.norge@etac.com
www.etac.com

R82 UK Ltd.
R82uk@r82.com
www.r82.co.uk

Etac AB
info@etac.se
www.etac.se

Etac Export
etac.immedia@etac.com
www.etac.com/exp

Etac Holland BV
info.holland@etac.com
www.etac.com

Snug Seat Inc.
information@snugseat.com
www.snugseat.com

Manufacture

Etac Immedia A/S
 Egeskovvej 12
 DK-8700 Horsens
etac.immedia@etac.com

