

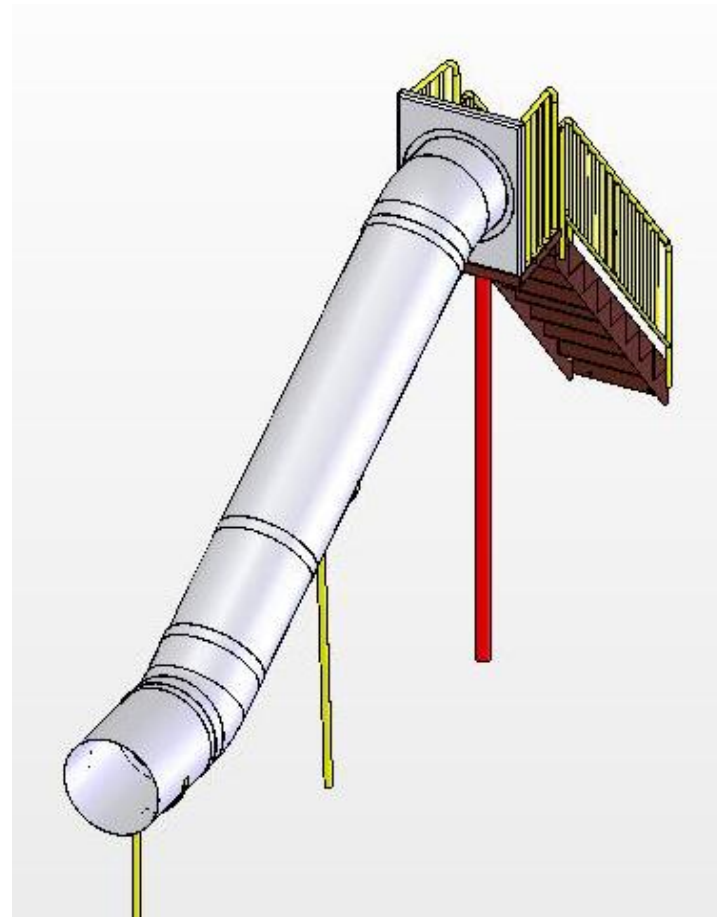
### **INSTALLATION DETAILS**

- Recommended crew (Adult): 2
- Installation time: 4 (8 man hrs)
- User age: 5-12
- Use zone: 72 in from all sides of unit
- Weight:

**SURFACING: Use of safety surfacing in compliance with ASTM specification F1292 is required.**

### **MAINTENANCE:**

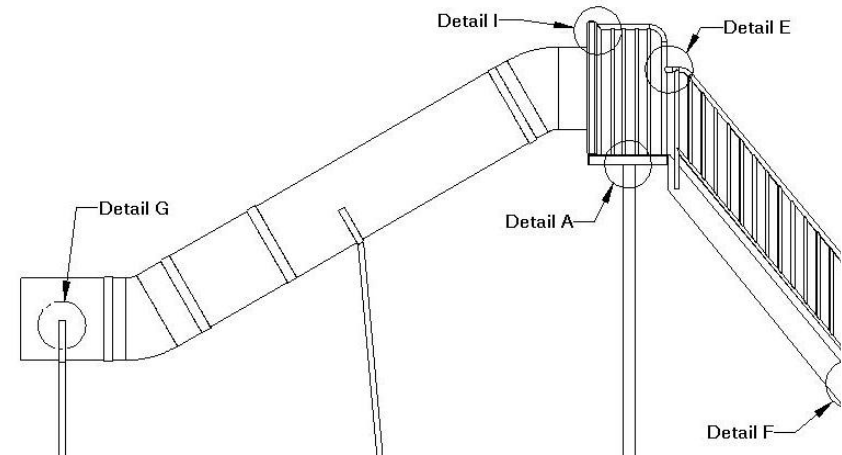
- As the owner of the playground you are responsible for maintenance of the equipment and play area. A maintenance schedule must be developed and the equipment inspected frequently. A maintenance section that includes component specific maintenance requirements is included at the end of this manual.
- Be sure to inspect surfacing for foreign objects that could cause injury and that sufficient surfacing is in place in accordance with ASTM and CPSC standards.



**PARTS LIST**

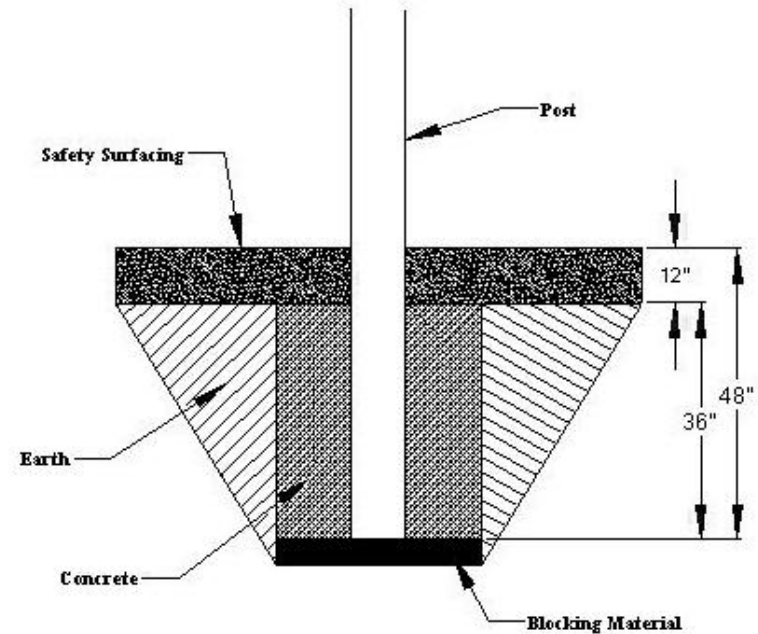
ID	PART #	DESCRIPTION	QTY
1	435-631	Straight Tube Slide to 6' deck	1
2	905-712	Step to 6' Deck	1
3	913-230	Transfer Point Inside Leg	2
4	913-712	Indep. Slide Post	1
5	913-714	Indep. Slide Handrail	2
6	913-716L	Ind. Tube Left Side Guard Wall	1
7	913-716R	Ind. Tube Right Side Guard Wall	1
8	913-717	Indep. Tube Slide Deck	1
9	913-718	Bottom Leg for "S" Tube	1
10	913-719	Middle Leg for "S" Tube	1
11	126-701BPS	3/8"x 1 1/4" Button Pin SS	10
12	126-703	3/8"x 1" Button Pin SS	9
13	126-705	3/8"x 2" Button Pin SS	2
14	126-706BPS	3/8"x 1 3/4" Button Pin SS	3
15	126-708	3/8"x 2 1/4" Button Pin SS	4
16	516-200	3/8" Zip Toggle	2
17	226-602	3/8" Nylon Insert Lock Nut SS	21
18	316-501	5/16" Flat Washer SS	2
19	316-601	3/8" Flat Washer SS	47
20	416-402BPK	7/32" Button Pin Key Short Arm	2

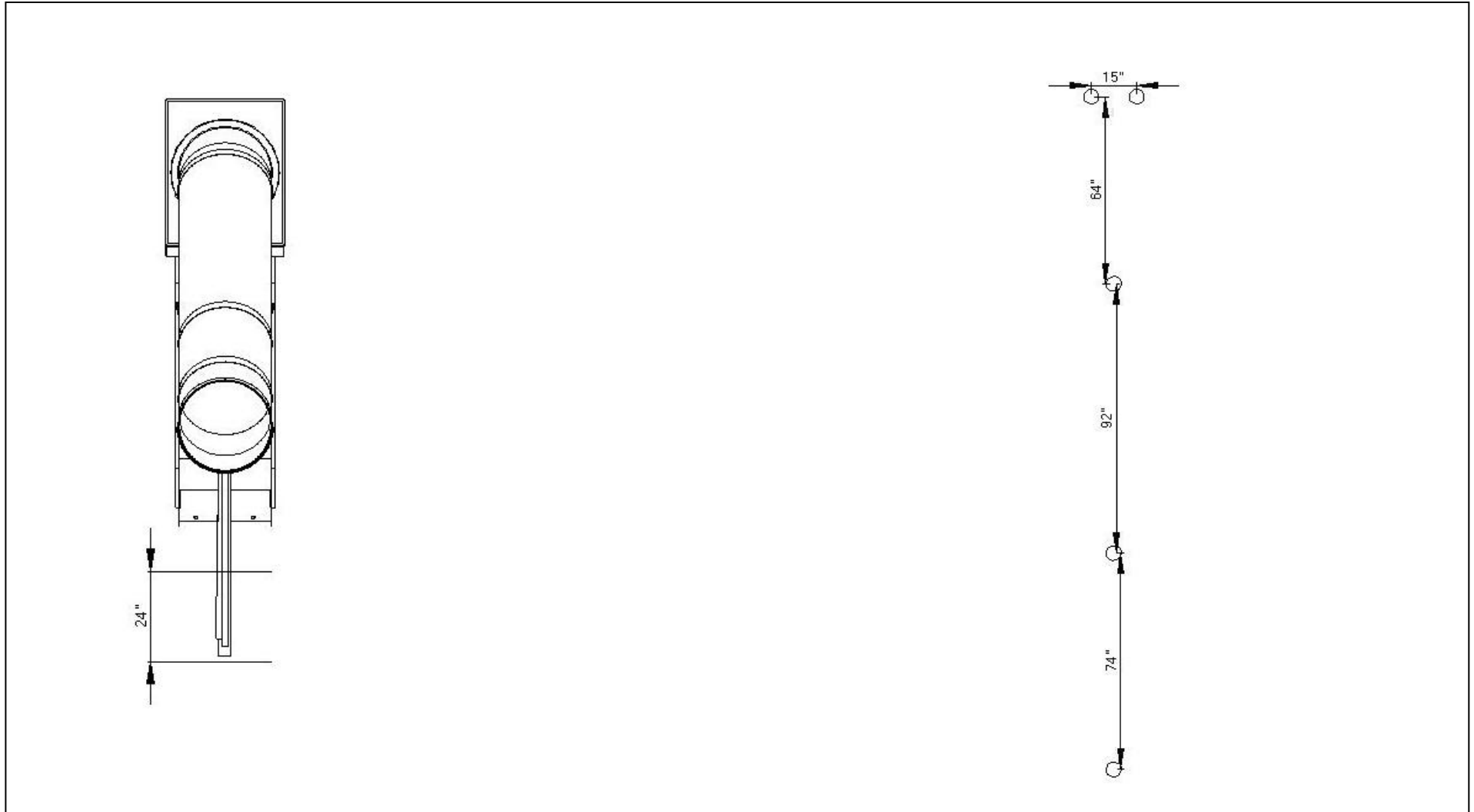
**NOTE:** Keep a copy of these instructions on file to assist you with maintenance and replacement parts.



### FOOTING INFORMATION

- Total footing depth is 48" less the height of the surfacing plus the height of the blocking material. If you are using 12" of surfacing the footing hole would need to be 36" plus the height of the blocking material (refer to both the side and front cutaway views to the right).
- If the Play structure is installed on an unlevel grade you must adjust the footing depth to accommodate the grade. For instance, if the grade for this component is 1" higher than the surface grade of the main playground post you must dig your footing hole 1" deeper.
- You must place the bottom of the support post or slide leg on a suitable flat blocking material to prevent it from sinking further into the soil. We recommend you use a brick, block of wood or several inches of gravel. The footing depth does not include this blocking material since materials used often vary.
- It is the owner/installers responsibility to check local building codes and to comply with those codes. All footing depths listed here are recommendations and local soil types and frost lines may require a deeper and/or wider footing depth. If that's the case you must add more blocking material to accommodate the deeper footing, as the post length will still only be installed at the depth listed in this instruction manual.
- Assemble the entire unit before adding the concrete unless instructed to do so in the individual component instruction sections.







## 902-296 INDEPENDENT STRAIGHT TUBE SLIDE INSTALLATION INSTRUCTIONS

### **SPECIFICATIONS**

- **Paint** – Electrostatically applied & oven cured powder coat
- **Hardware** – Stainless steel & tamper resistant
- **Tube** – FloCoat® Galvanized 1 3/8” O.D. and 1” O.D.
- **“S” Tube Slide**-Roto-Molded Plastic.

### **SPECIAL SAFETY & ASTM COMPLIANCE NOTES**

- ***CRITICAL MEASUREMENT*** IT IS EXTREMELY IMPORTANT THAT YOU MAINTAIN A MAXIMUM OF 3 1/2” DISTANCE BETWEEN THE BOTTOM, OR SIDES OF THE “S” TUBE SLIDE ENTRANCE WALL AND THE NEAREST EDGE OF THE DECK OR POSTS.

### **INSTALLATION TIPS & TROUBLE SHOOTING**

- SportsPlay Equipment Inc. recommends pre-drilling the holes in the post when attaching a four-hole bracket with a number #7 drill bit. This will make the attachment of the four-hole bracket with the self-tapping screws easier and it will prevent damage to the screw head during installation.
- Apply locktite to all bolts during assembly prior to completely tightening them.
- Stainless Steel hardware can occasionally be difficult to use particularly if you need to take them out to make an adjustment. It is recommended that you add a drop of oil to bolts that may have to be removed before you install them.
- Do not tighten bolts all the way until the unit is completely assembled and all components are square and level.
- Identify and separate all parts by referencing the detail drawings and the parts list.
- As you unpack and separate the components, use the cardboard sheets that were used for packing and shipping to prevent damage to the components. This is particularly true all Powder Coated and Thermoplastic coated components, by setting the components on top of the cardboard.

**BEFORE YOU BEGIN**

In addition to the components on the packing list you will need a drill with a 1/2" drill bit, tape measure, post hole digger, blocking material, level, and a dry erase marker.

**INSTALLATION STEPS**

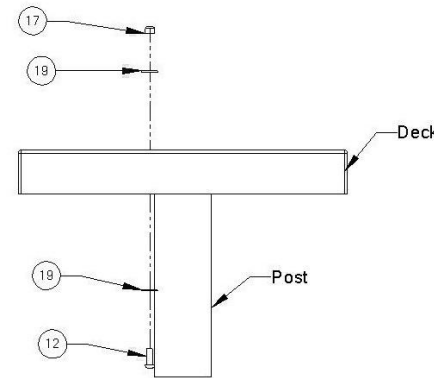
**\_\_1) Review all instructions before beginning:**

**\_\_2) Unpack, organize, and identify all components:** Be sure to place all painted components on a protective surface (cardboard, cloth, etc...) to prevent damage.

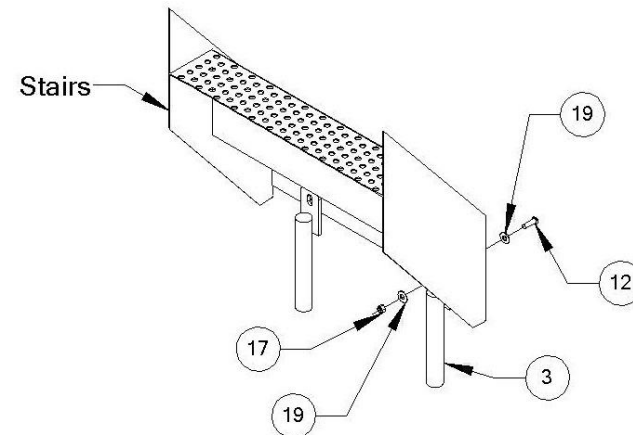
**\_\_3) Locate placement of the Independent Straight Tube Slide:** See top down view of your instruction booklet.

**\_\_4) Layout the Footing holes for the Independent Straight Tube Slide:** Locate your footing drawing on the instruction booklet and mark your holes as shown. When you have laid out and marked your footing holes, dig them to the proper depth. Once all your holes are dug you may insert the Independent Slide Post (4) into the proper hole and pour your concrete. After you have poured your concrete and before the concrete itself has time to set, make sure that your post is level and that it stays level until the concrete has fully set.

**\_\_5) Attach the Independent Straight Tube Slide Deck to the post:** Once you have allowed the concrete to fully set on the post you will then attach the Independent Straight Tube Slide Deck (8) to the post (see Detail A). To attach the deck to the post, place the deck on top of the post mounting plate and line up the 4 bolt holes, make sure the slide side of the deck and the stair side of the deck



DETAIL A



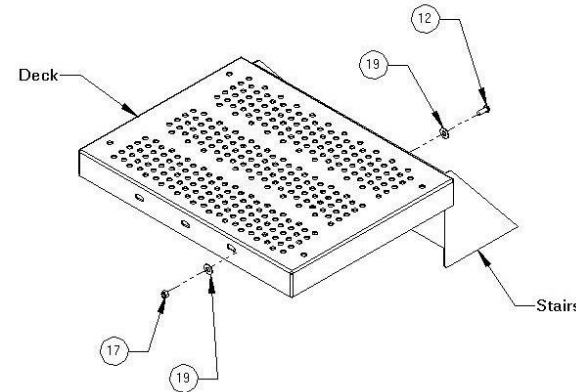
DETAIL B

### INSTALLATION STEPS CONTINUED

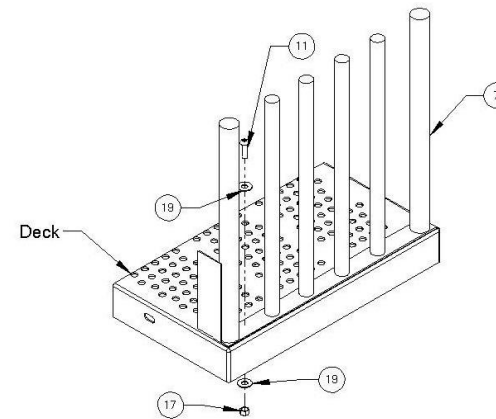
5) Continued: are facing the right directions. With the bolt holes aligned insert the 3/8" x 1" button pin bolt (12) with a 3/8" flat washer (19) through mounting plate on the post into the bracing on the deck, then secure it with another 3/8" flat washer (19) and a 3/8" Nylon Lock Nut (17).

6) Attaching the Steps to 6' Deck to Independent Straight Tube Slide Deck: After you have attached the Independent Straight Tube Slide Deck (8) to the Independent Slide Post (4) you will attach the Steps to 6' Deck (2) to the Independent Straight Tube Slide Deck. Before bolting the stairs to the deck you must attach the Transfer Point Inside Legs (3) to the bottom of the stairs (see Detail B) using a 3/8" x 1" Button Pin Bolt (12) and a 3/8" Flat Washer (19) on the outside of the stairs and another 3/8" Flat Washer (19) and a 3/8" Nylon Lock Nut (17) on the back side of the stairs to secure the legs. Once the legs are attached stand up the stairs with the legs in their footing holes and use the 3/8" x 1" Button Pin Bolts (12) and the 3/8" Flat Washers (19) on the outside of the stairs and then use the 3/8" Flat Washers (19) and the 3/8" Nylon Lock Nuts (15) on the underside of the deck to secure the stairs (see Detail C).

7) Attaching Guard Walls to Deck: To attach the Independent Straight Tube Slide Guard Wall (6) to the Independent Straight Tube Slide Deck (8) you will need three of the 3/8" x 1 1/4" Button Pin Bolts (11), eight 3/8" Flat Washers (19) and four of the 3/8" Nylon Lock Nuts (17). There is a left side and a right side guard wall, both guard walls have tabs coming off of the front of them at an angle. When the guard walls are placed on the deck correctly



DETAIL C

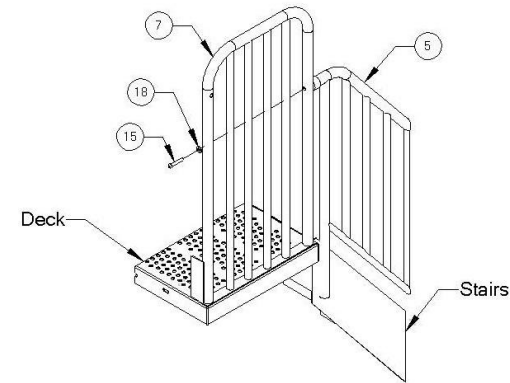


DETAIL D

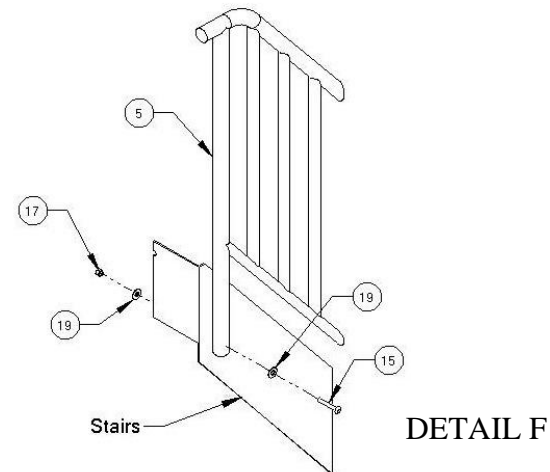
### INSTALLATION STEPS CONTINUED

7) Continued: those tabs will be pointing towards each other on the inside of the deck. Place the guard wall on the deck so that the three holes to mount the wall on the deck and the three holes on the flat piece at the bottom of the guard wall line up. Once in line use the 3/8" x 1 1/4" Button Pin Bolt (11) and a 3/8" Flat Washer (19) and go through the holes on the top side of the deck and on the bottom side secure the guard wall with another 3/8" Flat Washer (19) and a 3/8" Nylon Lock Nut (17) (see Detail D).

8) Attaching the Handrails to the Structure: To attach the handrails to the structure you will need the two Independent Slide Handrails (17), eight 3/8" x 2 1/4" Button Pin Bolts (15), two 5/16" Flat Washers (18), twelve 3/8" Flat Washers (19) and six 3/8" Nylon Lock Nuts (17). First you must insert the end of the handrails with the threads welded into it, into the stub coming off of the guard wall, while someone holds the handrail for you insert a 3/8" x 2 1/4" Button Pin Bolt (15) through a 5/16" Flat Washer (18), then insert it into the hole on the guard wall on the back side of the stub and thread it into the handrail until tight (see Detail E). After the handrail is bolted to the guard wall, you will then bolt it to the stairs, to do so you will need two 3/8" x 2 1/4" Button Pin Bolts (15), four 3/8" Flat Washer (19) and two 3/8" Nylon Lock Nuts (17). Line up the two holes in the lower end of the handrail with the holes at the end of the stairs and place you 3/8" x 2 1/4" Button Pin Bolt (15) with a 3/8" Flat Washer (19) through the handrail into the stair and secure it on the underneath of the stair with another 3/8"



DETAIL E



DETAIL F

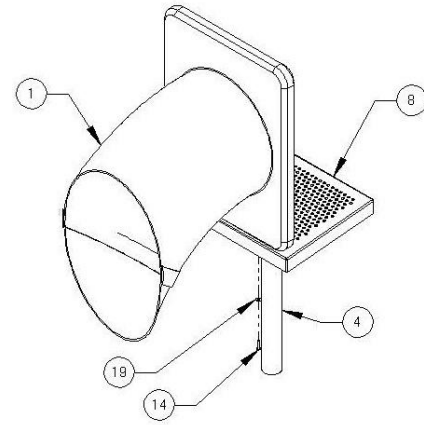
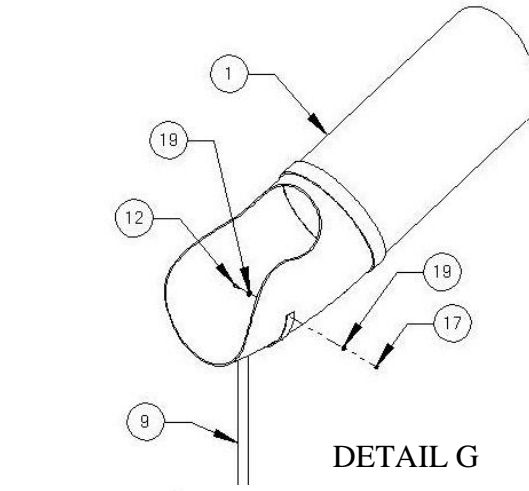


**INSTALLATION STEPS CONTINUED**

**\_\_8) Continued:** Flat Washer and a 3/8" Nylon Lock Nut (17) (see Detail F).

**\_\_9) Installing the Straight Tube Slide:** Before attaching the Straight Tube Slide (1) to the deck you should attach the Bottom Leg for the Straight Tube Slide (9) and the Middle Leg for Straight Tube Slide (10) using the four 3/8" x 1" Button Pin SS Bolts (12), eight 3/8" Flat Washers (19) and the four 3/8" Lock Nuts (17) supplied in the hardware (See Detail G). Once the legs are attached stand the slide up in the proper footing holes and place the entry point of the slide on the deck. On the bottom side of the entry point of the slide there are three bolting holes which you will line up with the three holes on the top side of the deck. With the holes aligned you will use three of 3/8" x 1 3/4" Button Pin SS Bolts (14) and three of the 3/8" Flat Washers (19) to secure the slide to the deck (See Detail H).

**\_\_10) Attaching the Guard Walls to the Slide:** After you have attached the Straight Tube Slide to the deck, you will then bolt the Ind. Tube Slide Guard Walls to the slide. Use the tabs coming off of the front of the guard walls to mark your bolt hole on each side of the slide. After you drill your holes you will insert a 3/8" Zip Toggle(16) you will use a 3/8" x 2" Button Pin SS bolt (13) and a 3/8" Flat Washer (19) on each tab to secure them to the slide (See Detail I).

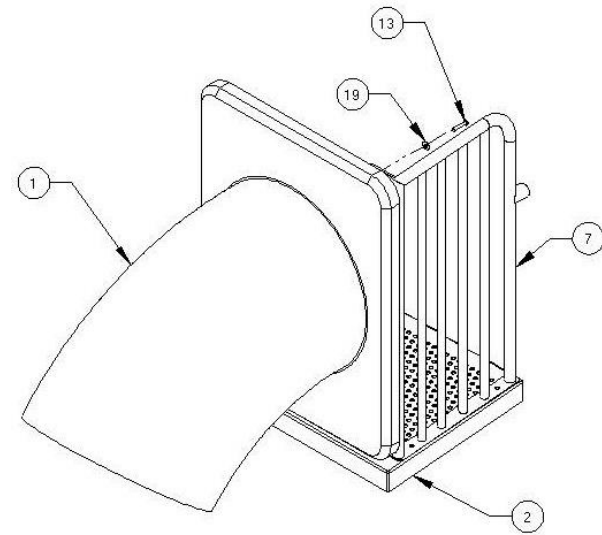


DETAIL H

**INSTALLATION STEPS CONTINUED**

\_\_11) **Once full installation of all components is complete**, fill all remaining footing holes with concrete and backfill with dirt. Check area for any remaining tools or hardware, then caution tape the area off for at least 48 hours to allow concrete to fully set.

\_\_12) **Inspect the components:** for sharp edges and if necessary file them down and apply touch up paint.



DETAIL I

### **Brackets**

- Inspect all four-hole clamps and panel clamps.
- Ensure the setscrews are tight and in place.
- Ensure all Torx Screws are in place and that the bracket is firmly attached to post.
- Inspect the clamps for cracks and sharp edges. Smooth any sharp edges and fix the finish. Replace brackets if cracked.

### **Hardware**

- Inspect for loose or missing hardware. Tighten all loose hardware and replace all missing hardware. Block off access to equipment if necessary.

### **Plastic Components**

- Inspect for any sharp edges or deformities. Minor deformities and sharp edges can be repaired using a utility knife. Block off access until repairs are made. Contact distributor for replacement parts.

### **Welds**

- Inspect all welds for cracks. If a crack is found block access to the playground and contact your distributor for replacement parts immediately.

### **Finish**

- Inspect all metal components for coating damage. If powder coating needs to be repaired sand surface and mask off area. Coat with primer and once the primer has dried paint with color matching touch up paint. Contact distributor of color matching paint. Contact Distributor for Thermoplastic repair kit.

**Surfacing** - Refer to the surfacing maintenance sheet.

### **Slide**

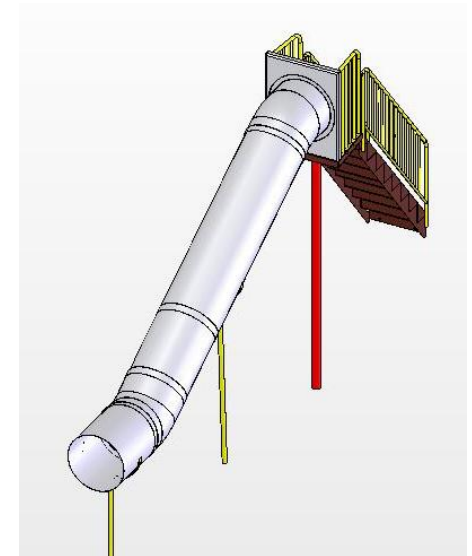
- Refer to “Plastic Components” section.
- Inspect run-out section of the slide for standing water. Adjust the slide by digging up existing footing and install it slightly lower to increase the slope of the slide.

### **Footings**

- Inspect all footings to ensure equipment is secure. You must block access to prevent access until repair is made.

### **Replacement Parts**

- Reference the parts list on page 2 of the instruction set for this component to identify the part/s correctly.
- Contact your distributor to order parts.





**902-296 6' INDEPENDENT STRAIGHT TUBE SLIDE  
EQUIPMENT MAINTENANCE**

**INSPECTION FORM**

- MAKE COPIES OF THIS FORM TO USE FOR INSPECTION
- REVIEW THE “MAINTENANCE GUIDE” IN THE APPENDIX TO BETTER UNDERSTAND THE IMPORTANCE OF MAINTENANCE AND HOW TO DEVELOP A MAINTENANCE SCHEDULE.
- DOCUMENT ALL MAINTENANCE ACTIONS ON THE LIST AS WELL AS ANY NOT LISTED.
- INCLUDE DATES AND SIGNATURES

Inspection Checklist	Recommended Frequency	Grade (Pass/Fail/NA)	Date Inspected	Date Repairs Completed
Inspect Brackets	Weekly			
Inspect Hardware	Weekly			
Inspect Plastic Components	Weekly			
Inspect Finish	Monthly			
Inspect Slide Surface and for standing water	Monthly			
Inspect Footing	Yearly			
Inspect Surfacing	Daily			

Inspector: \_\_\_\_\_ Signature: \_\_\_\_\_ Date: \_\_\_\_\_

<b>Maintenance Record</b>			
Part	Problem	Corrective Action	Date