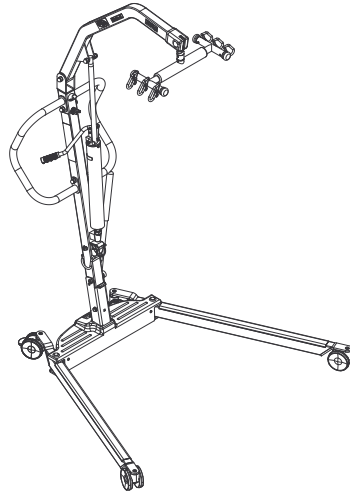
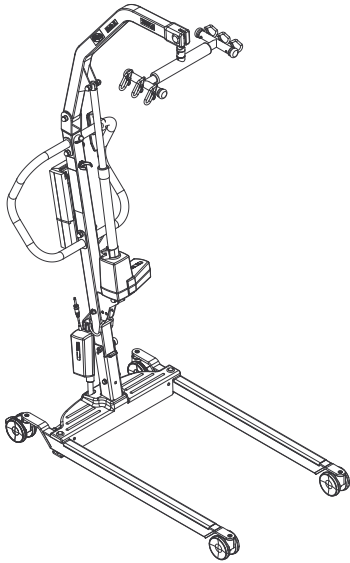


Invacare® I-Lift™

ILIFTHM, ILIFTEM, ILIFTEE



EN	Portable Patient Lift	
	User Manual	3
FC	Lève-personne portatif	
	Manuel d'utilisation	55

This manual **MUST** be given to the user of the product.
BEFORE using this product, read this manual and save for future reference.



Yes, you can.®

© 2012 Invacare Corporation.

All rights reserved. Republication, duplication or modification in whole or in part is prohibited without prior written permission from Invacare. Trademarks are identified by ™ and ®. All trademarks are owned by or licensed to Invacare Corporation or its subsidiaries unless otherwise noted.

Contents

This manual **MUST** be given to the user of the product.
BEFORE using this product, read this manual and save for future reference.

1	General	5
1.1	Symbols.	5
2	Safety	6
2.1	General Guidelines.	6
2.2	Operating Information	6
	General	6
	Pinch Points and Positioning	7
	Electrical and Grounding.	7
	Disposal.	8
2.3	Radio Frequency Interference	8
2.4	Product Labeling	9
3	Technical Data	10
3.1	Patient Lift.	10
3.2	Full Body and Heavy Duty Slings	11
3.3	Divided Leg and Toileting Slings	12
3.4	I-Lift Scale ILS450.	12
4	Assembly	13
4.1	Safe Assembly	13
4.2	Assembling the Mast to the Base.	13
4.3	Assembling the Manual/Hydraulic Pump to the Boom	15
4.4	Assembling the Electric Actuator to the Boom	16
4.5	Installing the Leg Actuator to the Base.	17
4.6	Installing the Shifter Handle	17
4.7	Checking the Service Light	18
4.8	Resetting the Service Light	18
5	Operation	19
5.1	Introduction	19
5.2	Closing/Opening Legs.	19
	Closing/Opening Manual Legs	19
	Closing/Opening Electric Legs	20
5.3	Raising/Lowering the Lift	21
	Raising/Lowering a Manual/Hydraulic Lift	21
	Raising/Lowering an Electric Lift	22
5.4	Activating a Mechanical Emergency Release	22
	Primary Emergency Release.	22
	Secondary Emergency Release.	23
5.5	Performing an Emergency Stop	23
5.6	Mounting the Battery Charger	24
5.7	Charging the Battery	24
6	Lifting the Patient.	26
6.1	Safe Lifting.	26
6.2	Preparing to Lift.	27
6.3	Attaching the Slings to the Lift	29
6.4	Lifting and Transferring the Patient	31
	Floor Transfer	32
	Commode Transfer Guidelines	33
	Bed Transfer	33
	Wheelchair Transfer.	34
7	Troubleshooting	35
7.1	Troubleshooting Table.	35
8	Maintenance	37
8.1	Safe Maintenance	37
8.2	Maintenance Safety Inspection Checklist	37
8.3	Lubricating the Lift.	39
8.4	Detecting Wear and Damage	39
8.5	Cleaning the Sling and Lift.	39
8.6	Maintaining the Manual/Hydraulic Pump.	39

8.7	Replacing a Manual/Hydraulic Pump	40
8.8	Adjusting the Pump Control Valve	41
8.9	Replacing the Electric Actuator	42
8.10	Replacing the Leg Actuator	43
8.11	Checking and Tightening Mast Pivot Bolt	44
8.12	Replacing the Swivel Bar	44
8.13	Maintaining the Base Adjustment	45
8.14	Replacing Rear Casters	46
8.15	Replacing Front Casters	46
9	Scale	47
9.1	Scale Introduction	47
9.2	Removing the Swivel Bar	47
9.3	Installing the Scale	48
9.4	Operating the Scale	49
9.5	Weighing the Patient	50
9.6	Replacing the Battery	51
9.7	Calibrating the Scale	51
9.8	Troubleshooting	52
	Display Codes	52
10	Warranty	53
10.1	Limited Warranty — North America	53
11	Survey	54
11.1	Usability Survey	54

I General

I.1 Symbols

Signal words are used in this manual and apply to hazards or unsafe practices which could result in personal injury or property damage. See the information below for definitions of the signal words.

**WARNING!**

– Warning indicates a potentially hazardous situation which, if not avoided, could result in death or serious injury.

**CAUTION!**

– Caution indicates a potentially hazardous situation which, if not avoided, may result in property damage or minor injury or both.

**IMPORTANT**

– Indicates a hazardous situation that could result in damage to property if it is not avoided.



Gives useful tips, recommendations and information for efficient, trouble-free use.



Date of manufacture.

2 Safety

2.1 General Guidelines



WARNING!

– DO NOT use this product or any available optional equipment without first completely reading and understanding these instructions and any additional instructional material such as owner's manuals, service manuals or instruction sheets supplied with this product or optional equipment. If you are unable to understand the warnings, cautions or instructions, contact a healthcare professional, dealer or technical personnel before attempting to use this equipment - otherwise, injury or damage may occur.



WARNING!

ACCESSORIES WARNING

– Invacare products are specifically designed and manufactured for use in conjunction with Invacare accessories. Accessories designed by other manufacturers have not been tested by Invacare and are not recommended for use with Invacare products.



NOTICE

– The information contained in this document is subject to change without notice.

Check all parts for shipping damage before using. In case of damage, DO NOT use the equipment. Contact the Dealer for further instructions.

2.2 Operating Information

This section of the manual contains general safety information about your product. For specific safety information, refer to the appropriate section of the manual and procedures within that section. For instance, for safety information related to assembling the lift, refer to 4.1 Safe Assembly, page 13.

General



WARNING!

Risk of Falling

The Invacare patient lift is NOT a transport device. It is intended to transfer an individual from one resting surface to another (such as a bed to a wheelchair). DO NOT attempt any transfer without approval of the patient's physician, nurse or medical assistant. Thoroughly read the instructions in this Owner's Manual, observe a trained team of experts perform the lifting procedures and then perform the entire lift procedure several times with proper supervision and a capable individual acting as a patient. Invacare slings and patient lift accessories are specifically designed to be used in conjunction with Invacare patient lifts. Slings and accessories designed by other manufacturers are not to be utilized as a component of Invacare's patient lift system.

– Use common sense in all lifts. Special care MUST BE taken with people with disabilities who cannot cooperate while being lifted.

Pinch Points and Positioning



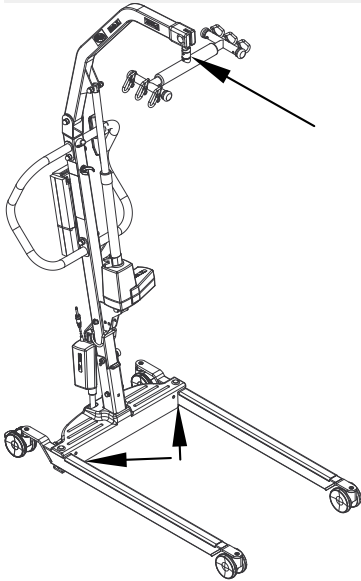
WARNING!

Risk of Injury

Pinch points are present in several locations on the lift and fingers could be pinched.

The hanger bar can move suddenly and cause injury.

- ALWAYS keep hands and fingers clear of moving parts to avoid injury.
- When positioning lift, be aware of the position of the hanger bar and the patient. Injury could occur.



Electrical and Grounding



WARNING!

GROUNDING INSTRUCTIONS

DO NOT, under any circumstances, cut or remove the round grounding prong from any plug used with or for Invacare products. Some devices are equipped with three-prong (grounding) plugs for protection against possible shock hazards. Where a two-prong wall receptacle is encountered, it is the personal responsibility and obligation of the customer to contact a qualified electrician and have the two-prong receptacle replaced with a properly grounded three-prong wall receptacle in accordance with the National Electrical Code. If you must use an extension cord, use ONLY a three-wire extension cord having the same or higher electrical rating as the device being connected. In addition, Invacare has placed RED/ORANGE warning tags on some equipment. DO NOT remove these tags.

- Carefully read battery/battery charger information prior to installing, servicing or operating your patient lift.
- To reduce the risk of electric shock, this product has a polarized plug (one blade is wider than the other). This plug will fit in a polarized outlet only one way. If the plug does not fit fully in the outlet, reverse the plug. If it still does not fit, contact a qualified electrician to install the proper outlet. DO NOT change the plug in any way.

Disposal



WARNING!

Environmental Hazard

This product has been supplied from an environmentally aware manufacturer that complies with the Waste Electrical and Electronic Equipment (WEEE) Directive 2002/96/CE.

Device contains lead acid batteries.

This product may contain substances that could be harmful to the environment if disposed of in places (landfills) that are not appropriate according to legislation.

- DO NOT dispose of batteries in normal household waste. They MUST be taken to a proper disposal site. Contact your local waste management company for information.
- Please be environmentally responsible and recycle this product through your recycling facility at its end of life.



2.3 Radio Frequency Interference



WARNING!


- Most electronic equipment is influenced by Radio Frequency Interference (RFI). CAUTION should be exercised with regard to the use of portable communication equipment in the area around such equipment. If RFI causes erratic behavior, PUSH the Red Power Switch OFF IMMEDIATELY. DO NOT turn the Power Switch ON while transmission is in progress.

2.4 Product Labeling



Electric lift shown. Locations are the same on the hydraulic/manual lift.

⚠ WARNING



BEFORE using the Patient Lift, **READ** and **UNDERSTAND** the Owner's Manual for proper operation and safety procedures.

⚠ WARNING

WEIGHT LIMITATION 450 lbs (205 kg).

The Invacare Patient lift is NOT a transport device.

DO NOT roll casterbase over uneven surfaces that may cause the Patient Lift to tip over.

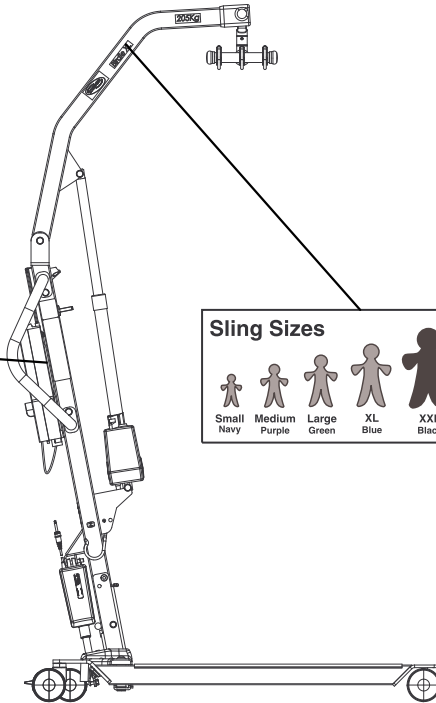
DO NOT lock the casters of the Patient Lift when lifting an individual. Casters **MUST** be left unlocked to allow Patient Lift to stabilize during lifting procedures.

USE ONLY Invacare slings and lift accessories.


For maintenance and replacement, use only components designed for this patient lift model. See the product label for model information.

Customer Service
1-800-333-6900

1073698 Rev D



Sling Sizes



Small Navy Medium Purple Large Green XL Blue XXL Black

⚠ WARNING

USE ONLY INVACARE SLINGS and LIFT ACCESSORIES.

1154553 REV. A

3 Technical Data

3.1 Patient Lift

	Hydraulic — Manual Base	Electric — Manual Base	Electric — Electric Base
	ILIFTHM	ILIFTEM	ILIFTEE
Height at Sling Hook-up - MAX.:	71.5 in / 1816 mm	76.1 in / 1933 mm	
Height at Sling Hook-up - MIN.:	22.8 in / 579 mm	22.2 in / 564 mm	
Base Width OPEN:	47 in / 1196 mm		53.4 in / 1358 mm
Base Width CLOSED:	27.8 in / 705 mm		
Base Height (Clearance):	4.6 in / 117 mm		
Base Length:	46.6 in / 1184 mm		
Caster Size:	3.94 in / 100 mm		
Sling Options:	3 Styles	3 Styles	1 Style
Turning Diameter	57 in / 1450 mm	57.6 in / 1464	
Max Lifting Capacity (Weight Capacity):	450 lb / 205 kg		
Total Weight	110 lb / 49.9 kg	117.5 lb / 53.3 kg	120 lb / 54.4 kg
Cycles from a Full Charge (Varies depending upon load and stroke):	N/A	Approximately 40 cycles	
Battery:	N/A	24V DC (Rechargeable)	
Charger Input:	N/A	100-240V AC	
Charger Output/Charging Time:	N/A	29.5V DC Max 6 hrs	
Accessories:	Digital Scale		
Audio Low Battery Alarm:	N/A	Yes	
Motor Safety Devices:	N/A	Anti-Entrapment	
Warranty Pump/ Electronics:	1 Year		
Warranty Frame	3 years		

3.2 Full Body and Heavy Duty Slings

	Full Body			Full Body w/Commode			Heavy Duty w/o Commode	Heavy Duty w/ Commode
	RI10 RI12*	RI11 RI13*	RI14	RI15	RI16	RI17*	RI40*	RI41*
Size:	M	L	XL	M	L	XL	N/A	N/A
Width:	41.5	45.5	45.5	41.5	45.4	45.5	45	45
Commode Opening:	N/A	N/A	N/A	8	8	9	N/A	7
Length:	54.7	60.5	65.3	54.7	60.5	65.3	55	55
Commode Opening:	N/A	N/A	N/A	11	11	13	N/A	13
Back:	N/A	N/A	N/A	N/A	N/A	N/A	N/A	N/A
Weight Capacity (lbs):	450	450	450	450	450	450	600	600



*Slings made of a mesh material.

All dimensions are in inches except where noted.

3.3 Divided Leg and Toileting Slings

	Divided Leg				Toileting
	R100P	R100	R101	R102	R121
Size:	P	M	L	XL	L
Width:	33	37.5	41	44.5	36
Commode Opening:	N/A	N/A	N/A	N/A	N/A
Length:	59.8	62.8	67.8	72.3	37
Commode Opening:	N/A	N/A	N/A	N/A	N/A
Back:	29.2	35.7	41.7	43.2	N/A
Weight Capacity (lbs):	450	450	450	450	450



All dimensions are in inches except where noted.

3.4 I-Lift Scale ILS450

Weight Range:	Up to 600 lbs. (272.7 Kg)
Resolution:	+/- 0.2 lbs (.1 Kg)
Display:	Liquid Crystal Digital
Automatic Power Down:	Two (2) minutes
Size:	5-3/4 L X 3-5/8 W X 4 H
Weight:	.55 lbs
Power:	Nine (9) Volt Alkaline battery (included)
Battery Life:	Approximately 1500 readings
Temperature Range:	50° To 104°F (10° To 40°C)

4 Assembly

4.1 Safe Assembly



WARNING!
Risk of Injury

Improper assembly may cause injury or damage.

- Use only Invacare parts in the assembly of this patient lift. The base legs, the mast, boom, pump assembly and the hanger bar are manufactured to specifications that assure correct alignment of all parts for safe functional operation.
- DO NOT overtighten the mounting hardware. This will damage the mounting bracket.

4.2 Assembling the Mast to the Base

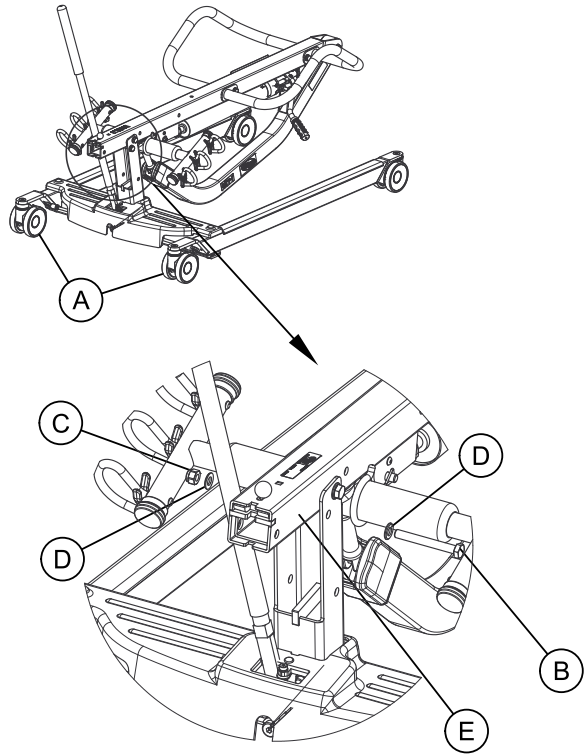
1. Lock rear casters **A** (Detail A).
2. Remove the shoulder bolt **B**, nut **C** and washers **D**, from the mast **E**.
3. Raise the mast assembly to an upright position until it locks in place (Detail B).
4. Install the shoulder bolt and washers, through the mast and the base **F**.
5. Secure with the nut.



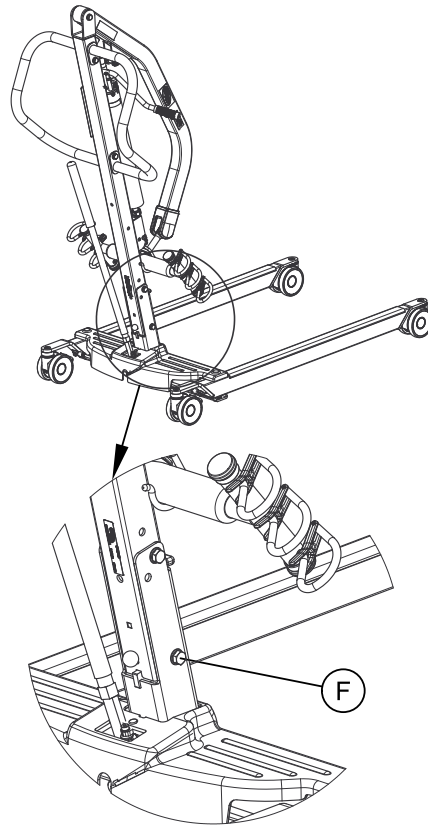
WARNING!

- The mast may be folded for storage or transporting. Each time the mast is folded, the mast **MUST** be properly secured to the base assembly.

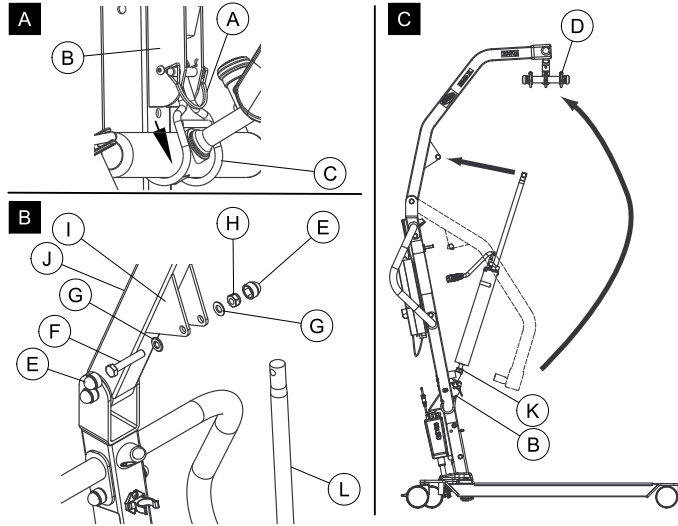
A



B



4.3 Assembling the Manual/Hydraulic Pump to the Boom



i The bottom of the hydraulic pump assembly (K) will already be assembled to the mast mounting bracket (Detail C).

4. Lift-up on the boom and place it on your left shoulder.
5. Let the hydraulic pump rest on the right-side of your chest and rotate the shaft extension (L) of the hydraulic pump assembly until it lines-up with the mounting bracket holes on the boom.
6. Align the holes of the mounting bracket with those of the shaft extension
7. Install the bolt, washers, nut and caps.

i Be sure that the bolt is completely through the holes of the boom mounting bracket and the manual/hydraulic pump assembly. The boom assembly will pivot easily if the mounting hardware is aligned properly when the boom is secured to the mast.



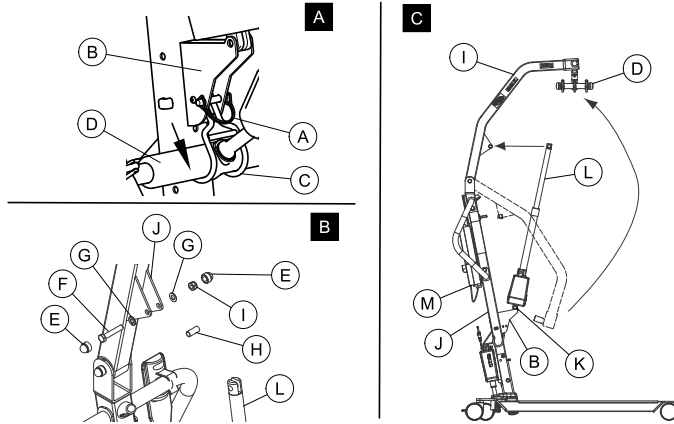
CAUTION!

– DO NOT overtighten the mounting hardware. This will damage the mounting bracket.

1. Remove the quick release pin (A) from the mast mounting bracket (B) (Detail A).
2. Lift the hook (C) securing the hanger bar (D) to the mast.

i The hanger bar is not shown in the hook in Detail A.
3. Remove the caps (E), bolt (F), washers (G) and nut (H) from the mounting bracket (I) on the boom (J) (Detail B).


4.4 Assembling the Electric Actuator to the Boom




CAUTION! Risk of Damage

– DO NOT overtighten the mounting hardware. This will damage the mounting bracket.

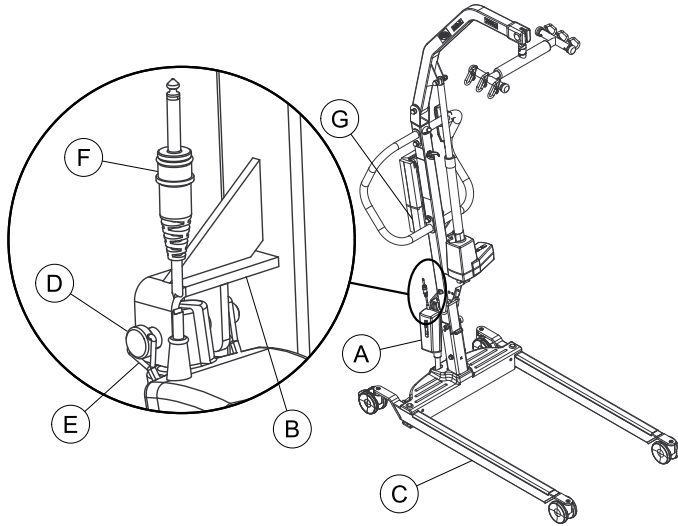
1. Remove the quick release pin **A** from the mast mounting bracket **B** (Detail A).
2. Lift the hook **C** securing the hanger bar **D** to the mast.
3. Remove the caps **E**, bolt **F**, washers **G**, bushing **H** and nut **I** from the boom mounting bracket **J** (Detail B).

 The bottom of the electric actuator assembly **K** will already be assembled to the mast mounting bracket (Detail C).

4. Lift-up on the boom and place it on your left shoulder.

5. Let the actuator rest on your right-side of your chest and rotate the shaft extension **L** of the actuator assembly until it lines-up with the mounting holes in the boom assembly.
6. Align the holes of the boom assembly mounting bracket with those of the actuator
 -  Be sure that the bolt is completely through the holes of the boom mounting bracket and the actuator assembly. The boom assembly will pivot easily if the mounting hardware is aligned properly when the boom is secured to the mast.
7. Install the bolt, washers, nut, bushing and caps.
8. Plug in the electrical connectors (not shown) from the electric actuator to the bottom of the battery assembly.
9. Plug the pendant control into the bottom of the battery assembly **M**. Be sure the pendant control plug is fully inserted.

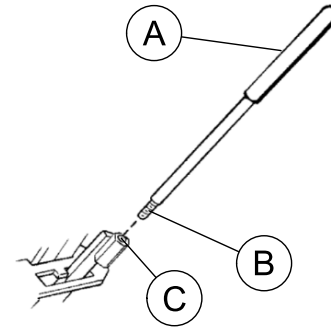
4.5 Installing the Leg Actuator to the Base




1. Perform the following to secure the leg actuator to the mast bracket:
 - a. Position leg actuator (A) into the mast bracket (B).
 - b. Move the legs (C) to align the holes in the leg actuator with the holes in the mast bracket.
 - c. Install the pin (D) through the holes of the leg actuator and mast bracket and secure with hitch pins (E).
2. Connect the leg actuator cable (F) to the bottom of the control box (G).
3. Ensure the actuator plug is fully pushed into the control box.
4. Check the service light. Refer to 4.7 Checking the Service Light, page 18.

1171892-A

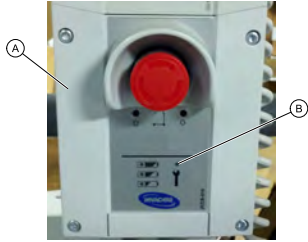
4.6 Installing the Shifter Handle




 This procedure applies to the ILIFTHM and ILIFTEM only.

1. Remove the shifter handle (A) from the packaging carton.
2. Line-up the shifter handle threads (B) with threaded opening (C) in the base.
3. Turn the shifter handle clockwise and securely tighten into the base.

4.7 Checking the Service Light

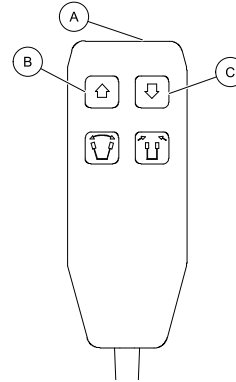



 This procedure applies to the ILIFTEE models only. Each time the lift is assembled, and before using the lift, the service light should be checked.

1. Assemble the lift.
2. Examine the control box **A** to see if the service light **B** is flashing.
3. Refer to the table.


Service Light	Initial Assembly	Reassembly
Flashing	Reset the service light. Refer to 4.8 Resetting the Service Light, page 18.	The lift requires service. Contact your local Invacare dealer for service.
Not Flashing	The lift is ready for use.	

4.8 Resetting the Service Light



 This procedure should only be performed after performing 4.7 Checking the Service Light, page 18.


1. Locate the handset **A**.
2. Press and hold the UP button **B** and DOWN button **C** at the same time for five seconds.

 You will hear a sound when the service light has been reset.

5 Operation

5.1 Introduction

The operation of the patient lift is an easy and safe procedure.

 Before using the lift with a patient, refer to the following procedures for safety information and instruction:

- 2.2 Operating Information, page 6
- 6.4 Lifting and Transferring the Patient, page 31

5.2 Closing/Opening Legs



WARNING! **Risk of Injury**

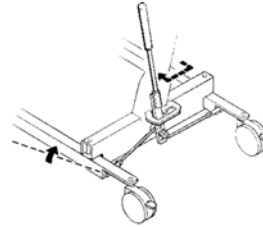
The lift could tip and endanger the patient and assistants.

- The legs of the lift must be in the maximum open position for optimum stability and safety. If it is necessary to close the legs of the lift to maneuver the lift under a bed, close the legs of the lift only as long as it takes to position the lift over the patient and lift the patient off the surface of the bed. When the legs of the lift are no longer under the bed, return the legs of the lift to the maximum open position.
- The shifter handle must be locked in place for optimum stability and safety.

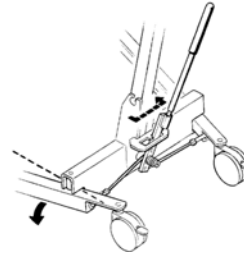
Closing/Opening Manual Legs


The shifter handle is used to open or close the legs of the base for stability when lifting a patient.


A



B



 Refer to the safety information in 5.2 Closing/Opening Legs, page 19 before performing this procedure.

1. Stand at the rear of the patient lift and grasp the shifter handle with one hand and place the opposite hand on the steering handle of the mast for balance.
-  The shifter handle **MUST** lock into its mounting slot to lock the legs in the full closed position.

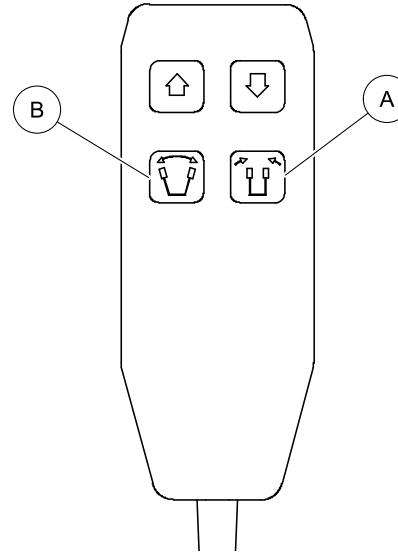
**WARNING!****Risk of Injury**


The lift could tip and endanger the patient and assistants.
 – If the shifter handle is NOT positioned completely into its mounting slot, DO NOT use the patient lift until the shifter handle is properly seated and the legs of the patient lift are locked in place.

2. Perform one of the following:
 - a. Closing the Legs **A** — Pull the shifter handle away from the patient lift and then to your left until it locks in the notch of the bracket.
 - b. Opening the Legs **B** — Pull the shifter handle away from the patient lift and then to your right.

Closing/Opening Electric Legs

The pendant is used to open or close the legs of the base for stability when lifting a patient.



 Refer to the safety information in 5.2 Closing/Opening Legs, page 19 before performing this procedure.

1. To close the legs, press the legs closed button **A**.
2. To open the legs, press the legs open button **B**.

5.3 Raising/Lowering the Lift



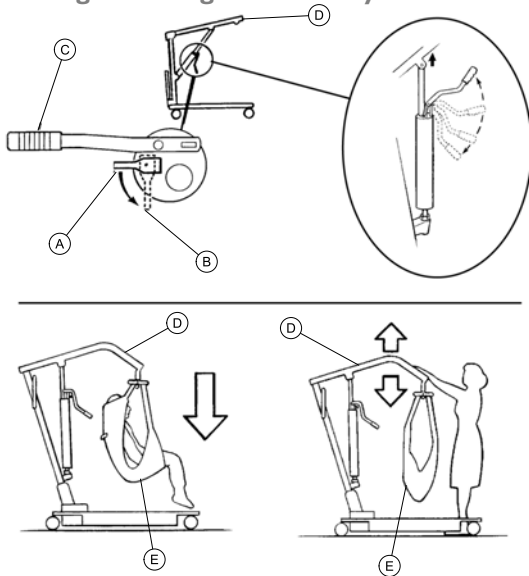
WARNING!

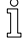
Risk of Injury

The lift could tip and endanger the patient and assistants.

- Invacare does not recommend locking of the rear casters of the patient lift when lifting an individual.
- Invacare does recommend that the rear casters be left unlocked during lifting procedures to allow the patient lift to stabilize itself when the patient is initially lifted from a chair, bed or any stationary object.

Raising/Lowering a Manual/Hydraulic Lift



 Refer to the safety information in 5.3 Raising/Lowering the Lift, page 21 before performing this procedure.

There are two controls on the pump assembly:


- The control valve
- The pump handle


1. To raise the lift:

- a. Position the control valve in the closed position **A** (towards the pump handle **C**).
- b. Move the pump handle up and down to elevate the boom **D** until it locks in the notch of the bracket.
- c. Ensure the boom has locked in the notch of the bracket.

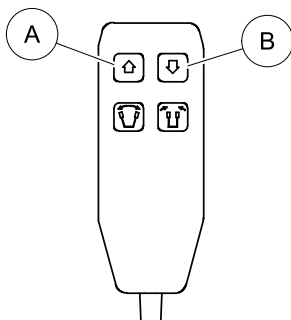
2. To lower the lift:


- a. Gently open **B** the control valve (away from the pump handle).
- b. If there is no patient in the sling **E**, pull down on the boom.

 The rate of descent of the boom is controlled by the amount that the control valve is open.

 A safety gate is part of the hydraulic system that controls the maximum descent of the boom regardless of how far the control valve is opened.

Raising/Lowering an Electric Lift



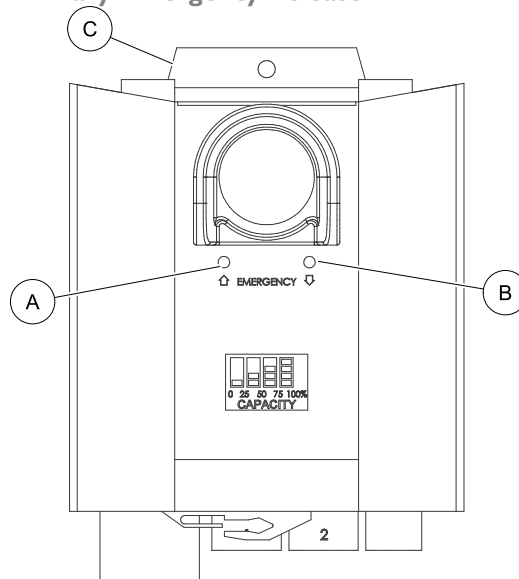
 Refer to the safety information in 5.3 Raising/Lowering the Lift, page 21 before performing this procedure.

1. To raise the lift — Press the UP **A** button to raise the boom and the patient.
2. To lower the lift — Press the DOWN **B** button to lower the boom and the patient.

5.4 Activating a Mechanical Emergency Release

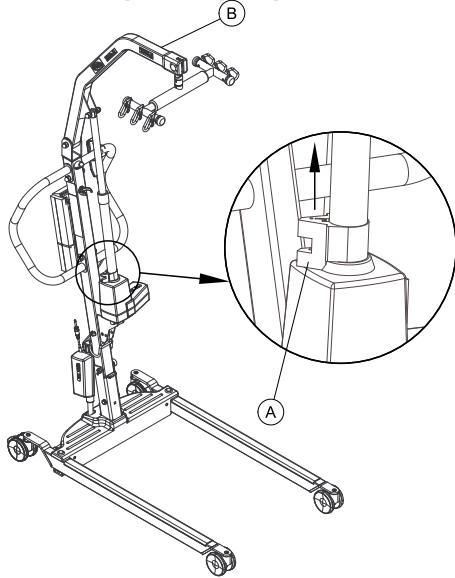
There are two types of mechanical emergency release — primary and secondary.

Primary Emergency Release



1. Insert a pen into the hole labeled Emergency Up **A** or Emergency Down **B** on the control box **C**.

Secondary Emergency Release

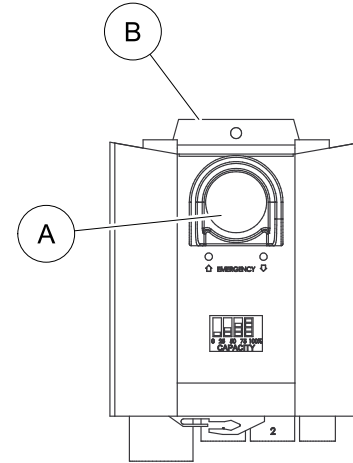


- i** It is recommended that the primary emergency release be used. The secondary emergency release is only a back-up to the primary emergency release.

In cases where the primary release is either not functioning or unreachable, a secondary emergency release may be used.

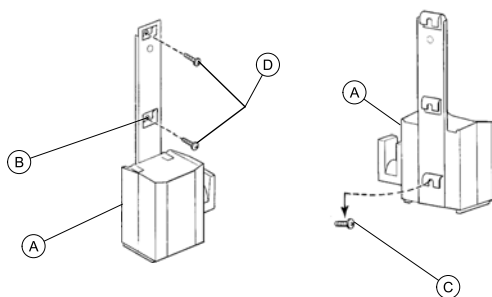
1. Pull up on the EMERGENCY grip **A** and push down on the boom **B** at the same time.


5.5 Performing an Emergency Stop




1. Press the RED button **A** on the control box **B** in to stop the boom and patient from raising or lowering.
2. To reset, rotate the emergency button clockwise.

5.6 Mounting the Battery Charger

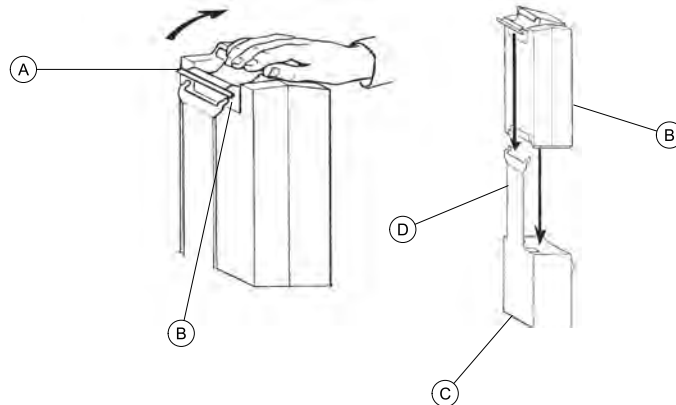



 Refer to your local regulations concerning proper mounting procedures.

1. Place the battery charger with mounting bracket **A** on the wall at the desired position.
2. With a pencil, mark the middle hole **B** position.
3. Measure down 6½ inches from the pencil mark and drill one mounting hole.
4. Install the bottom mounting screw **C** until there is an approximate 1/8-inch gap between the screw head and the wall.
5. Install the battery charger with mounting bracket onto the bottom mounting screw.
6. Drill the remaining two mounting holes.
7. Install the two remaining mounting screws **D** through the mounting bracket and into the wall. Tighten securely.
8. Plug the battery charger into the wall electrical outlet.

 ON LED should illuminate.

5.7 Charging the Battery



 Invacare recommends the battery be recharged daily to prolong battery life.

An audible alarm will sound (horn will beep) when battery is low.

1. Lift up on the handle **A** on the back of the battery **B**.
2. Lift the battery up and out away from the control box **C**.



CAUTION!

Mounting the battery improperly may cause injury or damage.

- Make sure there is an audible click when mounting battery on the battery charger to confirm proper mounting.

3. Place the battery on the battery charger **D** as shown. Make sure there is an audible click.



The charge LED will illuminate. When charging is complete, charge LED will stop illuminating.

A battery needing to be fully recharged will take approximately four hours.

4. Lift up on the handle on the back of the battery.
5. Lift the battery up and out away from the battery charger.

**CAUTION!**

Mounting the battery improperly may cause injury or damage.

- Make sure there is an audible click when mounting battery on the control box to confirm proper mounting.

6. Reinstall the battery onto the control box as shown. Make sure there is an audible click.



The battery mounts to the control box and battery charger as shown.

6 Lifting the Patient

6.1 Safe Lifting

**WARNING!****Risk of Injury**

The lift could tip and endanger the patient and assistants.


- Refer to the safety information and instructions in the following procedures **BEFORE** performing this procedure:
 - 6.2 Preparing to Lift, page 27
 - 6.3 Attaching the Slings to the Lift, page 29
 - 6.4 Lifting and Transferring the Patient, page 31
- Although Invacare recommends that two assistants be used for all lifting preparation, transferring from and transferring to procedures, our equipment will permit proper operation by one assistant. The use of one assistant is based on the evaluation of the health care professional for each individual case.
- **DO NOT** exceed maximum weight limitation of the patient lift. The weight limitation for the I-Lift is 450 lbs (205 kg).
- **DO NOT** attempt any transfer without approval of the patient's physician, nurse or medical assistant. Thoroughly read the instructions in this Owner's Manual, observe a trained team of experts perform the lifting procedures and then perform the entire lift procedure several times with proper supervision and a capable individual acting as a patient.

**WARNING!****Risk of injury**

The lift could tip and endanger the patient and assistants.

- During transfer, with patient suspended in a sling attached to the lift, **DO NOT** roll caster base over uneven surfaces that could cause the patient lift to tip over.
- Use steering handle on the mast at all times to push or pull the patient lift.
- Wheelchair wheel locks **MUST** be in a locked position before lowering the patient into the wheelchair for transport.
- Before transferring, check that the wheelchair weight capacity can withstand the patient's weight.

6.2 Preparing to Lift

 Refer to the Safety section in this manual and review the information in 6.1 Safe Lifting, page 26 before proceeding further and observe all warnings indicated.

Before positioning the legs of the patient lift under a bed, make sure that the area is clear of any obstructions.

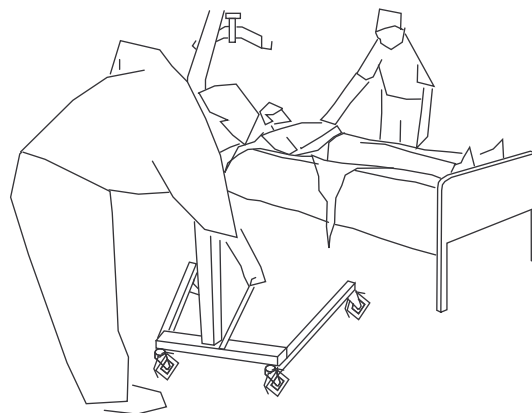


WARNING!

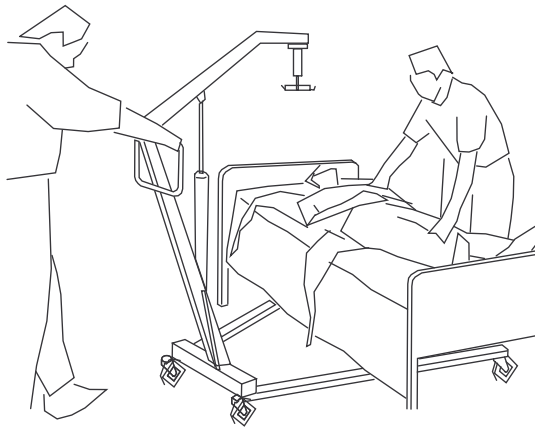
Risk of Injury

The lift could tip and endanger the patient and assistants.

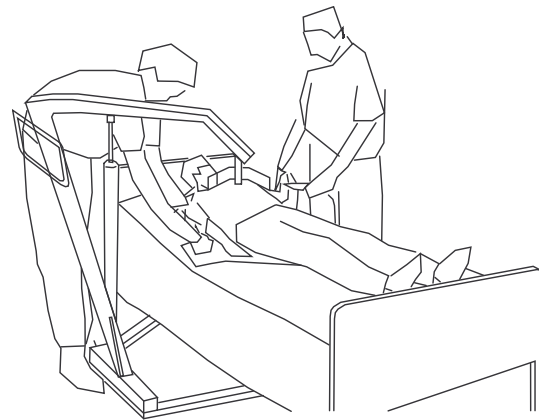
- The legs of the lift must be in the maximum open position for optimum stability and safety. If it is necessary to close the legs of the lift to maneuver the lift under a bed, close the legs of the lift only as long as it takes to position the lift over the patient and lift the patient off the surface of the bed. When the legs of the lift are no longer under the bed, return the legs of the lift to the maximum open position.
- The shifter handle must be locked in place for optimum stability and safety.



1. Position the patient onto the sling. Refer to your sling owner's manual.
2. Unlock the rear casters.
3. Open and lock the legs. Refer to 5.2 Closing/Opening Legs, page 19.



4. Use the steering handle to push the patient lift into position.



5. Lower the patient lift for easy attachment of the sling.
6. Lock the rear casters.
7. Proceed to 6.4 Lifting and Transferring the Patient, page 31.

6.3 Attaching the Slings to the Lift



WARNING! **Risk of Falling**

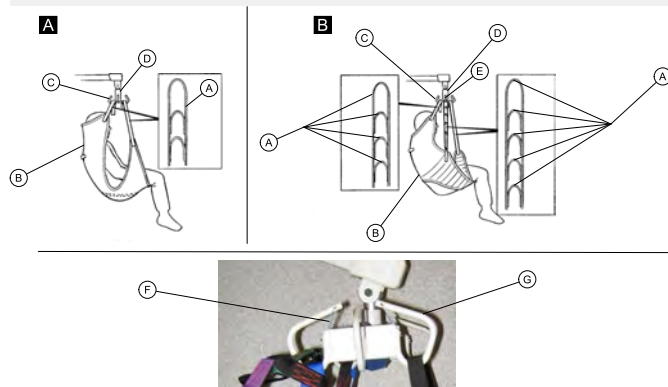
Improperly installed slings or damaged slings can cause the patient to fall or cause injury to assistants.

- Use an Invacare approved sling that is recommended by the individual's doctor, nurse or medical assistant for the comfort and safety of the individual being lifted.
- After each laundering (in accordance with instructions on the sling), inspect sling(s) for wear, tears, and loose stitching.
- Bleached, torn, cut, frayed, or broken slings are unsafe and could result in injury. Discard immediately.
- DO NOT alter slings.
- Be sure to check the sling attachments each time the sling is removed and replaced, to ensure that it is properly attached before the patient is removed from a stationary object (bed, chair or commode).




WARNING!

- If the patient is in a wheelchair, secure the wheel locks in place to prevent the chair from moving forwards or backwards.
- DO NOT remove the strap retainers from the hanger bar hooks. The strap retainers must be closed when the straps are properly installed on the hooks.
- When connecting slings equipped with color coded straps to the patient lift, the shortest of the straps MUST be at the back of patient for support. Using long section will leave little or no support for patient's back. The loops of the sling are color coded and can be used to place patient in various positions. The colors make it easy to connect both sides of the sling equally. Make sure that there is sufficient head support when lifting a patient.




The slings have color coded straps to assist with proper attachment.

1. Place the straps **A** of the sling **B** over hooks **C** of the hanger bar **D**.

 The strap retainer **F** closes when the sling strap is properly seated on the hook **G**.

2. Match the corresponding colors on each side of the sling for an even lift of the patient.

 Model Nos. R110 - R117 Full Body Slings and Model Nos. R120 - R122 Toileting Slings have four sling straps (two per side — See Detail A). Model Nos. R100 - R102 Divided Leg Slings have six sling straps (three per side — See Detail B).

Invacare Lift Swivel Bars have three hookup points per side. The middle hookup **E** is **ONLY** used for slings that have three sets of straps per side.

3. Use the lift. Refer to 6.4 Lifting and Transferring the Patient, page 31.

6.4 Lifting and Transferring the Patient



WARNING!

Risk of Injury

The lift could tip and endanger the patient and assistants.

– Refer to the safety information and instructions in the following procedures **BEFORE** performing this procedure:

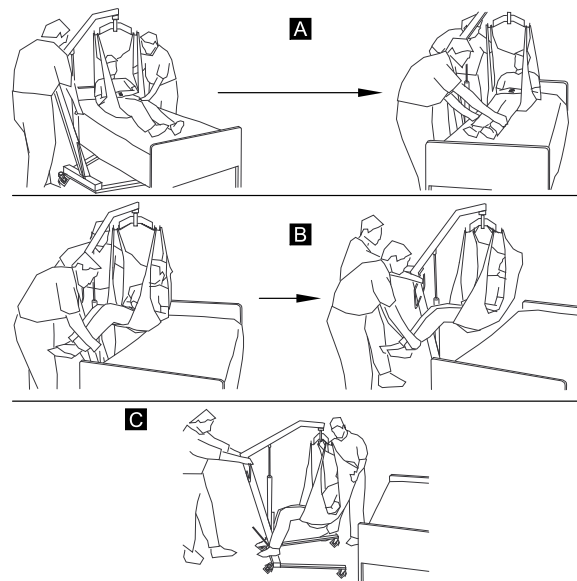
6.1 Safe Lifting, page 26

6.2 Preparing to Lift, page 27

6.3 Attaching the Slings to the Lift, page 29

5.3 Raising/Lowering the Lift, page 21

- Invacare does not recommend locking of the rear casters of the patient lift when lifting an individual.
- Invacare recommends locking the rear hanger casters **ONLY** when positioning or removing the sling from around the patient.
- Invacare does recommend that the rear casters be left unlocked during lifting procedures to allow the patient lift to stabilize itself when the patient is initially lifted from a chair, bed or any stationary object.



1. Move the lift to the patient area and prepare to lift. Refer to 6.2 Preparing to Lift, page 27.
2. Attach the sling to the lift. Refer to 6.3 Attaching the Slings to the Lift, page 29.
3. Lift the patient high enough to clear the stationary object with their weight fully supported by the lift. Refer to 5.3 Raising/Lowering the Lift, page 21.



On manual/hydraulic lift, the boom will stay in position until the control valve is opened. On the electric lift, the boom will stay in position until the **DOWN** (▼) button is pressed.

**WARNING!****Risk of Injury**

An improperly attached sling could cause the patient to fall.

An improperly adjusted sling could cause injury to the patient.

- Adjustments for safety and comfort should be made before moving the patient.
- Patient's arms should be inside of the straps.

4. Before moving the patient, check again to make sure that the sling is properly connected to the hooks of the hanger bar. If any attachments are not properly in place, lower the patient back onto the stationary object and correct this problem.
5. Using the steering handle, move the lift away from the stationary object.
6. Using the handles on the sling, turn the patient so that he/she faces the assistant operating the patient lift (Detail "C").
7. Lower the patient so that his feet rest on the base of the lift, straddling the mast.



The lower center of gravity provides stability making the patient feel more secure and the lift easier to move.

8. Move the patient lift with both hands firmly on the steering handle.



Read and understand the information that pertains to transfer to or from specific types of surfaces **BEFORE** performing this procedure:

- Bed Transfer, page 33
- Floor Transfer, page 32
- Wheelchair Transfer, page 34
- Commode Transfer Guidelines, page 33

9. Raise or lower the lift to position the patient over the stationary surface.



Be sure to raise or lower the patient enough to clear the sides of the stationary object.

10. Lower the patient onto the stationary surface.

11. Lock the rear casters.

12. Detach the sling from the hanger bar.



The sling can be left under the patient, if desired.

13. Unlock the rear casters.

14. Move the lift away from the area.

Floor Transfer

Perform these steps in addition to those in 6.4 Lifting and Transferring the Patient, page 31 when transferring from the floor:

1. Determine if the patient has suffered any injuries from a fall. If no medical attention is needed, proceed with the transfer.
2. Position the sling under the patient.



Refer to the Patient Slings owner's manual, part number 1023891, for more information about positioning slings.

3. One assistant should have the patient bend his knees and raise his head off of the floor.



This assistant should support the patient's head with a pillow.


4. The other assistant should open the legs of the lift.

5. Position the lift with one leg under the patient's head and the other leg under the patient's bent knees.




Keep the sling straps inside of the legs of the lift.


6. Lower the boom so the hanger bar is directly over the patient's chest.
7. Attach the sling and proceed with the transfer. Refer to 6.4 Lifting and Transferring the Patient, page 31.


 Ensure the patient's arms are inside of the sling.

Commode Transfer Guidelines

Perform these steps in addition to those in 6.4 Lifting and Transferring the Patient, page 31 when transferring to or from a commode.

 The slings with commode openings are designed to be used with either a commode chair or standard commode.

1. Before transferring the patient, the patient lift should be guided to the bathroom facilities to check that it can be easily maneuvered towards the commode.
 -  The Invacare patient lift is NOT intended as a transport device. If the bathroom facilities are NOT near the bed or if the patient lift cannot be easily maneuvered towards the commode, then the patient MUST be transferred to a wheelchair and transported to the bathroom facilities before using the patient lift again to position the patient on a standard commode.
2. Attach the slings to the lift. Refer to 6.3 Attaching the Slings to the Lift, page 29.
3. Elevate the patient high enough to clear the commode chair arms and have their weight supported by the patient lift. Refer to 5.3 Raising/Lowering the Lift, page 21
4. Both assistants should help guide the patient onto the commode.
5. Lower the patient onto the commode, leaving the sling attached to the hanger bar hooks.

 Invacare recommends that the sling remain connected to the hanger bar hooks during the patient's use of either the commode chair or standard commode.

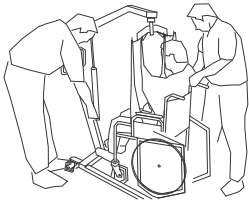
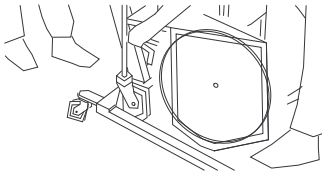
6. When complete, recheck for correct sling attachment.
7. Raise the patient off of the commode.
8. When the patient is clear of the commode surface, use the steering handles to move the lift away from the commode.
9. Perform one of the following:
 - Return the patient to the bed. Reverse the procedures in:
 - 6.4 Lifting and Transferring the Patient, page 31
 - 5.3 Raising/Lowering the Lift, page 21
 - 6.3 Attaching the Slings to the Lift, page 29
 - Return the patient to a wheelchair. Refer to Wheelchair Transfer, page 34.

Bed Transfer

Use the following guidelines when transferring to or from a bed:


- Position the patient as far over the bed as possible.
- If patient is being transferred from a surface that is lower than the bed, press the up arrow button to raise the patient above the surface of the bed. The patient should be elevated just high enough to clear the bed with their weight fully supported by the lift.
- When the patient is clear of the bed surface, swing their feet off the bed (Detail "B").
- After transfer, unhook the sling from all attachment points on the lift and remove the sling from around the patient.

Wheelchair Transfer




Perform these steps in addition to those in 6.4 Lifting and Transferring the Patient, page 31 when transferring to or from a wheelchair:

1. Engage the wheel locks of the wheelchair to prevent movement of the wheelchair.
2. Position the patient over the seat with their back against the back of the chair.
3. Begin to lower the patient either by opening the control valve or by pressing the DOWN (▼) button.
4. With one assistant behind the chair and the other operating the patient lift, the assistant behind the chair will pull back on the grab handle (on select models) or sides of the sling to seat the patient well into the back of the chair. This will maintain a good center of balance and prevent the chair from tipping forward.

 Use the straps or handles on the side and the back of the sling to guide the patient's hips as far back as possible into the seat for proper positioning.

5. Leave the sling in place.

 Remove only if a divided leg sling was used.



WARNING! Risk of Injury

- Before transferring, check that the wheelchair weight capacity can withstand the patient's weight.
- The wheelchair wheel locks **MUST** be in a locked position before lowering the patient into the wheelchair for transport.

7 Troubleshooting

7.1 Troubleshooting Table

SYMPTOMS	FAULTS	SOLUTION
Patient lift feels loose.	Mast/Base joint loose.	Refer to 4.2 Assembling the Mast to the Base, page 13.
	Tie - Rods are loose.	Refer to 8.13 Maintaining the Base Adjustment, page 45.
Casters/Brakes noisy or stiff.	Fluff or debris in bearings.	Refer to 8.15 Replacing Front Casters, page 46 and 8.14 Replacing Rear Casters, page 46.
Noisy or dry sound from pivots.	Needs lubrication.	Refer to 8.3 Lubricating the Lift, page 39.
Oil leaking from hydraulics.	Hydraulic pump in need of replacement.	Refer to 8.7 Replacing a Manual/Hydraulic Pump, page 40. Contact your Dealer.
Manual / Hydraulic pump fails to lift when pumped.	Control Valve not fully closed.	Close Control Valve.
	Manual / Hydraulic pump in need of replacement.	Refer to 8.7 Replacing a Manual/Hydraulic Pump, page 40. Contact your Dealer.
		Check connections.
	Control valve may be out of adjustment.	Refer to 8.8 Adjusting the Pump Control Valve, page 41.

SYMPTOMS	FAULTS	SOLUTION
Electric actuator fails to lift or legs fail to open when button is pressed.	Hand-control or actuator connector loose.	Connect hand control or actuator connector. Ensure connectors are seated properly and fully connected.
	Battery low.	Charge batteries. Refer to 5.7 Charging the Battery, page 24.
	RED emergency stop button pressed IN.	Rotate RED emergency stop button CLOCKWISE until it pops out.
	Battery not connected properly to control box.	Reconnect the battery to the control box. Refer to 5.7 Charging the Battery, page 24.
	The connecting terminals are damaged.	Replace the battery pack. Refer to 5.7 Charging the Battery, page 24.
	Boom or leg actuator in need of service or load is too high.	Refer to 8.9 Replacing the Electric Actuator, page 42. or 8.10 Replacing the Leg Actuator, page 43. Contact your Dealer.
Unusual noise from actuator.	Actuator is worn or damaged or spindle is bent.	Refer to 8.7 Replacing a Manual/Hydraulic Pump, page 40, 8.9 Replacing the Electric Actuator, page 42 or 8.10 Replacing the Leg Actuator, page 43. Contact your Dealer.
Boom will not lower in uppermost position.	Boom requires a minimum weight load to lower from the uppermost position.	Pull down slightly on the boom.
Boom will not lower during a power retraction.	Shoulder bolt at the junction of the boom and mast may not be properly installed.	Refer to 8.11 Checking and Tightening Mast Pivot Bolt, page 44.
Hydraulic pump drifts when under load.	Control valve may be out of adjustment.	Refer to 8.8 Adjusting the Pump Control Valve, page 41.



If problems are not remedied by the suggested means, please contact your dealer or Invacare.

8 Maintenance

8.1 Safe Maintenance

**WARNING!****Risk of Falling**

Maintenance **MUST** be performed only by qualified personnel.

Improper assembly may cause injury or damage.

- Regular maintenance of patient lifts and accessories is necessary to assure proper operation.
- The pump is sealed at the factory. **DO NOT** attempt to open the pump or obtain local service as this will **VOID** the warranty and might result in damage. Consult your dealer or write Invacare for further information.
- **DO NOT** overtighten the mounting hardware. This will damage the mounting bracket.

8.2 Maintenance Safety Inspection Checklist



Regular cleaning will reveal loose or worn parts, enhance smooth operation and extend the life expectancy of the lift.

Follow the maintenance procedures described in this manual to keep your patient lift in continuous service.

The Invacare Patient Lift is designed to provide a maximum of safe, efficient and satisfactory service with minimum care and maintenance.

All parts of the Invacare Lift are made of the best grades of steel, but metal to metal contact will wear after considerable use.

There is no adjustment or maintenance of either the casters or brakes, other than cleaning, lubrication and checking axle and swivel bolts for tightness. Remove all debris, etc. from the wheel and swivel bearings. If any parts are worn, replace these parts immediately.

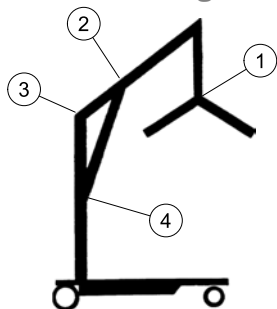
If you question the safety of any part of the lift, contact your Dealer immediately and advise him/her of your problem.

The items in the following checklist should be checked initially and in the following intervals:

- INSTITUTIONAL USE — Monthly and prior to each new user
- IN-HOME USE — Every Six Months

Date of Inspection:		Initials:
THE CASTER BASE <ul style="list-style-type: none"> <input type="checkbox"/> Inspect for missing hardware. <input type="checkbox"/> Base opens/closes with ease. <input type="checkbox"/> Inspect casters and axle bolts for tightness. <input type="checkbox"/> Inspect casters for smooth swivel and roll. <input type="checkbox"/> Inspect and clear wheels of debris. <input type="checkbox"/> Inspect pivot joints for wear. 	THE MAST <ul style="list-style-type: none"> <input type="checkbox"/> Mast MUST be securely assembled to boom. <input type="checkbox"/> Inspect for bends or deflections. <input type="checkbox"/> Inspect pivot joints for wear. 	THE HANGER BAR <ul style="list-style-type: none"> <input type="checkbox"/> Check the bolt/hooks for wear or damage. <input type="checkbox"/> Check sling hooks for wear or deflection. <input type="checkbox"/> Inspect pivot joints for wear. <input type="checkbox"/> Check that strap retainers are in place and functioning.
SLINGS AND HARDWARE <ul style="list-style-type: none"> <input type="checkbox"/> CHECK ALL SLING ATTACHMENTS each time it is used to ensure proper connection and patient safety. <input type="checkbox"/> Inspect sling material for wear. <input type="checkbox"/> Inspect straps for wear. 	THE BOOM <ul style="list-style-type: none"> <input type="checkbox"/> Check all hardware and hanger bar supports. <input type="checkbox"/> Inspect for bends or deflections. <input type="checkbox"/> Inspect bolted joints of boom for wear. <input type="checkbox"/> Inspect to ensure that the boom is centered between the base legs. <input type="checkbox"/> Check the mast pivot bolt. Ensure that the bolt is tightly secured. <input type="checkbox"/> Inspect pivot joints for wear. 	THE MANUAL/HYDRAULIC PUMP/ELECTRIC ACTUATOR ASSEMBLY <ul style="list-style-type: none"> <input type="checkbox"/> Check for leakage. <input type="checkbox"/> Inspect hardware on mast, boom and base. <input type="checkbox"/> Check for wear or deterioration. IF DAMAGED, RETURN TO FACTORY. <input type="checkbox"/> Cycle to ensure smooth quiet operation of the electric actuator. <input type="checkbox"/> Check for smooth operation of the pump handle.
THE SHIFTER HANDLE <ul style="list-style-type: none"> <input type="checkbox"/> Operates smoothly. <input type="checkbox"/> Locks adjustable base whenever engaged. 	THE CONTROL VALVE <ul style="list-style-type: none"> <input type="checkbox"/> Opens and closes easily. 	CLEANING <ul style="list-style-type: none"> <input type="checkbox"/> Whenever necessary.

8.3 Lubricating the Lift



The Invacare lift is designed for minimum maintenance. However, a six month check and lubrication should ensure continued safety and reliability.

Keep lift and slings clean and in good working order. Any defect should be noted and reported to your Dealer as soon as possible.

Refer to the figure for lubrication points. Lubricate all pivot points with a light grease (waterproof auto lubricant). Wipe all excess lubricant from lift surface.

1. Swivel Bar
2. Boom Mounting Bracket
3. Boom/Mast Mount
4. Mast Mounting Bracket

8.4 Detecting Wear and Damage

It is important to inspect all stressed parts, such as slings, hanger bar and any pivot for slings for signs of cracking, fraying, deformation or deterioration. Replace any defective parts immediately and ensure that the lift is not used until repairs are made.

8.5 Cleaning the Sling and Lift

The sling should be regularly washed in water, temperature not to exceed 180°F (82°C), and a biocidal (anti-biological) solution. A soft cloth, dampened with water and a small amount of mild detergent, is all that is needed to clean the patient lift. The lift can be cleaned with non-abrasive cleaners.

8.6 Maintaining the Manual/Hydraulic Pump

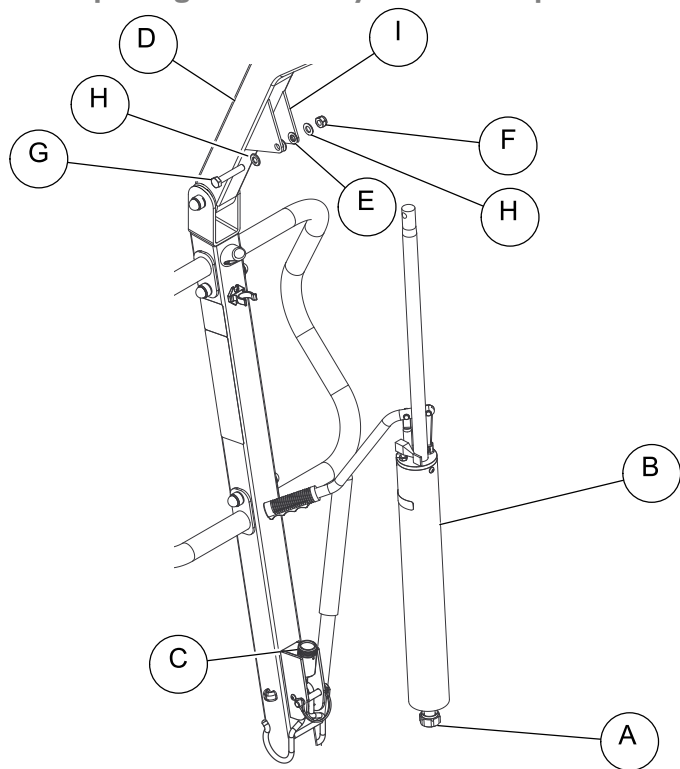
All parts of the Manual/Hydraulic Pump are precision machined, then carefully assembled and tested to ensure reliable service. The pump assembly is completely enclosed and sealed with neoprene rings to prevent leakage of hydraulic oil. A small amount of oil (about a drop) will accumulate around the piston from time to time and should be removed with a facial tissue.



WARNING!

- The pump is sealed at the factory. **DO NOT** attempt to open the pump or obtain local service as this will void the warranty and might result in damage and costly repair. Consult your dealer or write Invacare for further information.

8.7 Replacing a Manual/Hydraulic Pump



CAUTION!

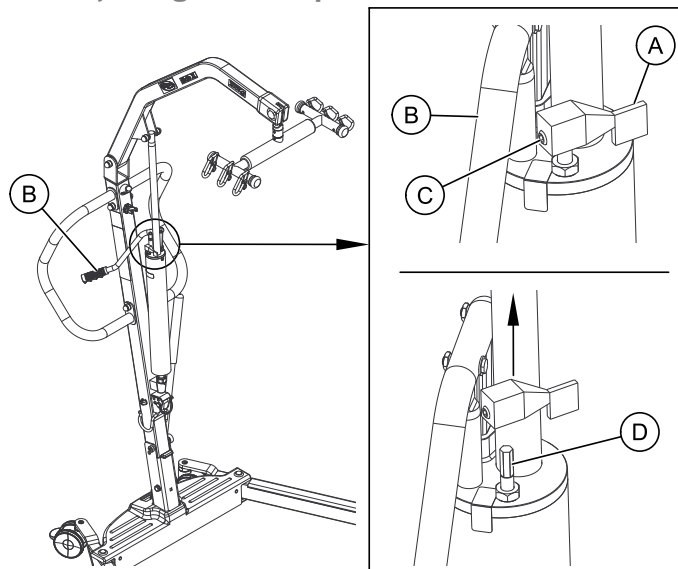
Risk of Damage

Improper assembly may cause injury or damage.

– DO NOT overtighten the mounting hardware. This will damage the mounting bracket.

1. Loosen the nut **A** that secures the ball of the pump **B** into the mounting socket **C**.
2. Rest the boom **D** on your shoulder and remove the nut **F**, bolt **G**, nylon washer **E** and washers **H** from the boom mounting bracket **I**.
3. Remove the pump.
4. Reverse steps for installation.

8.8 Adjusting the Pump Control Valve



3. Remove the control valve lever.
4. Hand tighten the control rod ④ by turning it clockwise.
5. Reinstall the control valve lever.
6. Position the lever so it clears the handle when it is fully retracted.
7. Tighten the set screw.
8. Test the hydraulic pump with a load.



WARNING!

– Always remove the patient from the lift before performing this procedure. **DO NOT** perform this adjustment while lifting a patient. Serious injury may occur.

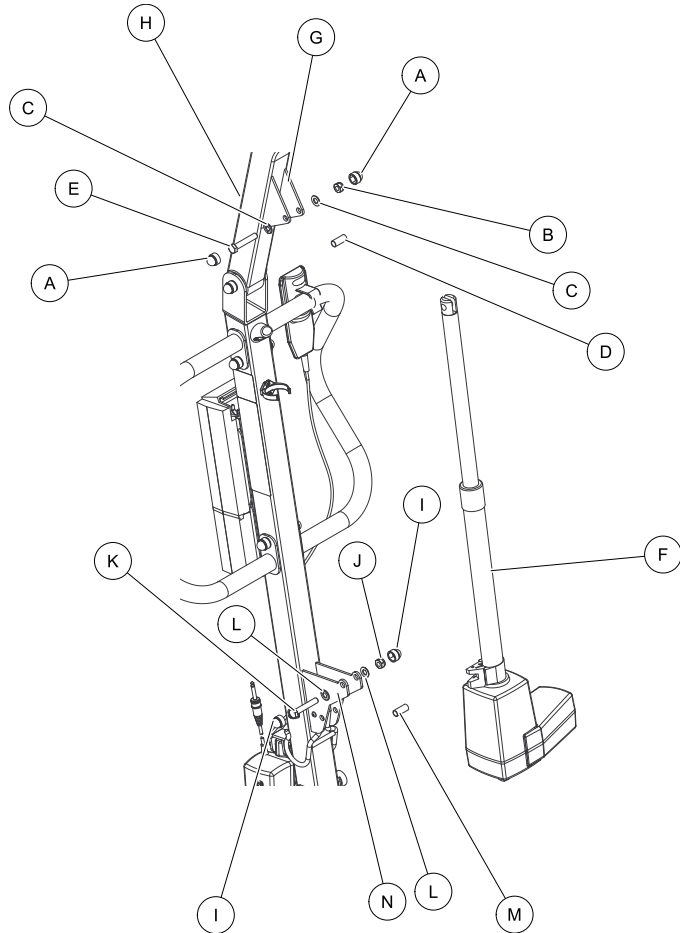


This procedure applies to the ILIFTHM models only.

1. Turn the control valve ① so it will clear the pump handle ② when the handle is fully retracted.
2. Loosen the set screw ③ a few turns.

1171892-A

8.9 Replacing the Electric Actuator



1. Remove the caps (A), nut (B), washers (C), bushing (D) and shoulder bolt (E) that secure the actuator (F) to the boom mounting bracket (G).
2. Rest the boom (H) on your shoulder and remove the caps (I), nut (J), bolt (K), washers (L) and bushing (M) from the mast mounting bracket (N).
3. Remove the electric actuator.
4. Reverse STEPS 1-3 for installation.



CAUTION!

Risk of Damage

Improper assembly may cause injury or damage.

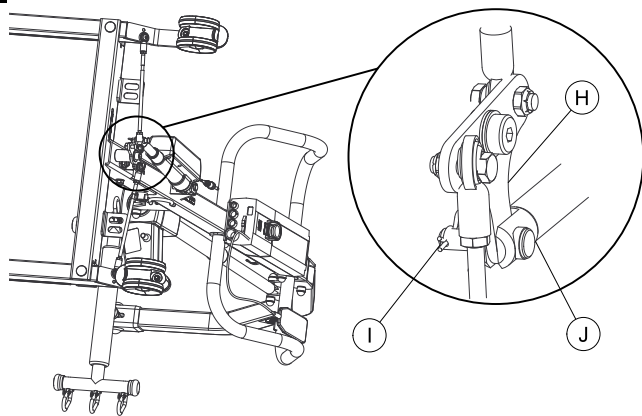
– DO NOT overtighten the mounting hardware. This will damage the mounting bracket.



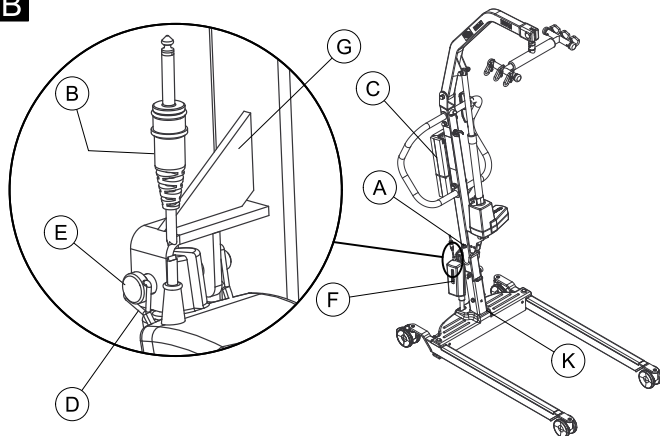
Be sure that the bolt or pin is completely through the holes of the boom assembly mounting bracket and the actuator assembly. The boom assembly will pivot easily if the mounting hardware is aligned properly when the boom assembly is secured to the mast.

8.10 Replacing the Leg Actuator

A



B



1. Remove the wire lock (A) that secures the leg actuator cable to the mast.
2. Disconnect the leg actuator cable (B) from the bottom of the control box (C).
3. Remove hitch pins (D) securing the pin (E) to the leg actuator (F) and mast bracket (G).
4. Remove the pin from the leg actuator and mast bracket.
5. Perform the following to remove the leg actuator from the pivot bracket (H) (Detail A):



WARNING!

Risk of Injury

Injury to personnel or damage to the patient lift may occur.

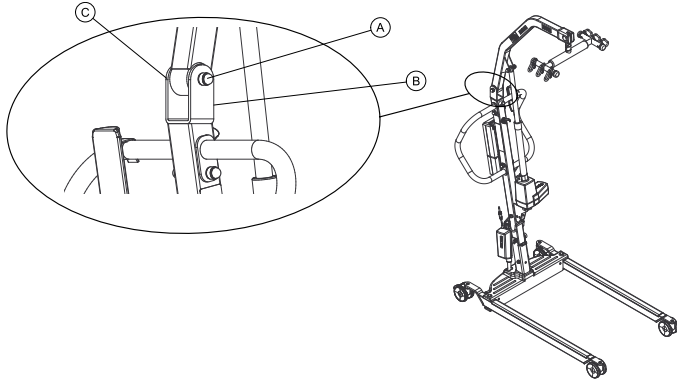
- Ensure that there is sufficient room to turn the patient lift on its side and that the floor area is clear of debris.

- a. Turn the patient lift on its side.
 - b. Remove the hitch pin (I) securing the pin (J) to the pivot bracket.
 - c. Remove the pin from the leg actuator and pivot bracket.
 - d. Return the patient lift to the upright position.
6. Slide the leg actuator out of the slot (K) in the base of the patient lift (Detail B).
 7. Reverse STEPS 1- 5 to install the leg actuator.



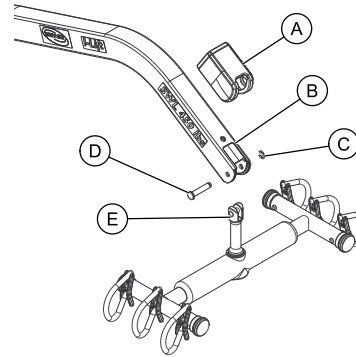
Position leg actuator into the mast bracket and move the legs to align the holes in the leg actuator with the holes in the mast bracket.

8.11 Checking and Tightening Mast Pivot Bolt



1. Check that the bolt **A** is through the bracket **B** and the locknut **C** is tight and secure.
2. If needed, do one or more of the following:
 - Tighten locknut and back-off the locknut 1/8 of a turn.
 - Replace the locknut.

8.12 Replacing the Swivel Bar



WARNING!

Risk of Injury

Worn or damaged parts of the lift may cause injury to the patient or assistants.

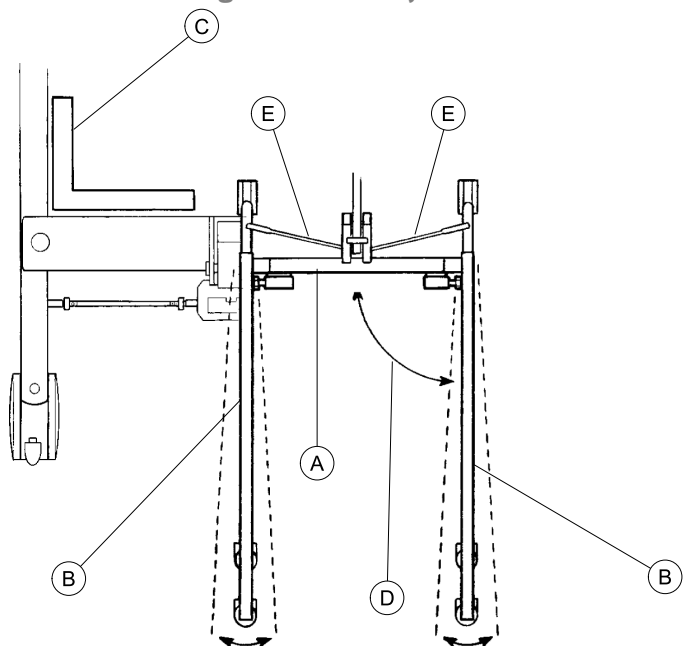
- After the first year of use, the hooks of the hanger bar and mounting brackets of the boom should be inspected every six months to determine the extent of wear. If these parts become worn, replacement must be made.



If the scale is installed on the lift, refer to 9.3 Installing the Scale, page 48 to replace the hanger bar.

1. Remove the rubber cover **A** from the boom **B**.
2. Remove the clip **C** and clevis pin **D** securing the hanger bar pin **E** to the boom.
3. Reverse STEPS 1- 2 to install the new hanger bar.

8.13 Maintaining the Base Adjustment



The base (A) adjustment should not require any attention other than adjusting the linkage rods.



CAUTION!

Damage to the lift may occur.

- The leg actuator must be in the fully closed position before adjusting the linkage rods.

1. Close the legs all the way. Refer to Closing/Opening Manual Legs, page 19 or Closing/Opening Electric Legs, page 20.
2. Check the squareness of the legs (B) when in the closed position.
3. Place a square (C) on the inside of the legs and base to determine the 90° alignment (D).
4. Adjust the linkage rods (E) until 90° alignment is achieved.

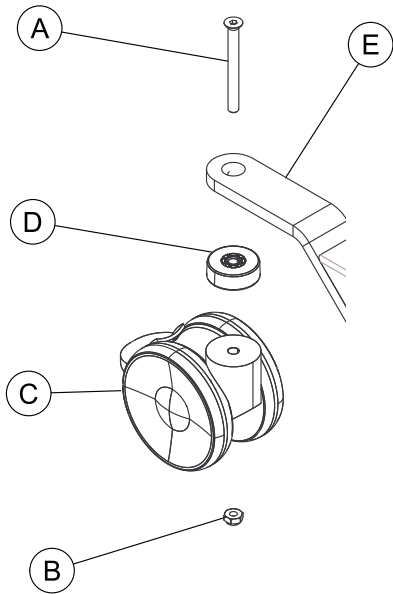


CAUTION!

Damage to the lift may occur.

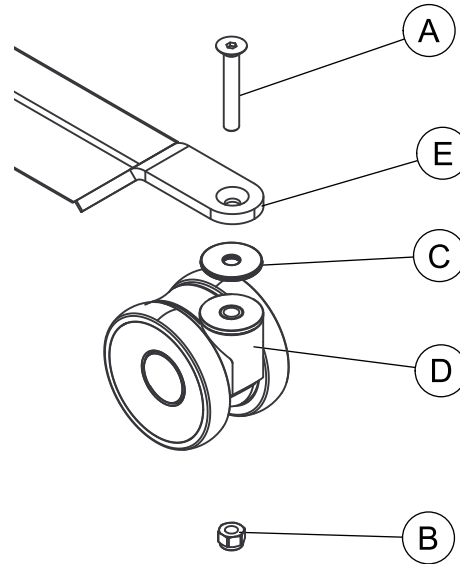
- DO NOT adjust the linkage rods so the legs are at less than 90° alignment.

8.14 Replacing Rear Casters



1. Place the lift on its side.
2. Remove the bolt (A) and locknut (B) that secure the existing rear caster (C) and bearing (D) to the rear caster bracket (E).
3. Install the bolt through the rear caster bracket, bearing and new rear caster and tighten securely with the locknut.

8.15 Replacing Front Casters



1. Place the lift on its side.
2. Remove the bolt (A), bearing (C) and locknut (B) that secure the existing front caster assembly (D) to the front caster bracket (E).
3. Install the bolt through the front caster bracket and the new front caster assembly and tighten securely with the locknut.

9 Scale

9.1 Scale Introduction

The I-Lift Scale is a compact precision scale system designed specifically for the Invacare Patient Lift System.

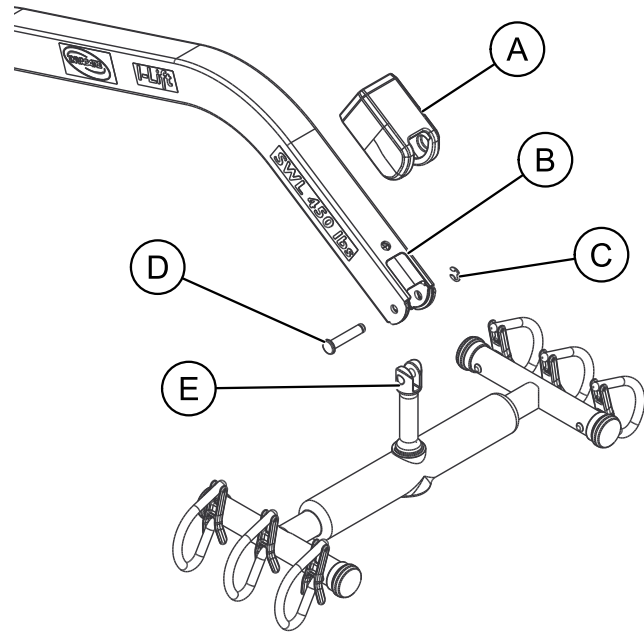


WARNING!

DO NOT install or use this equipment without first reading and understanding these instructions. If you are unable to understand the Warnings, Cautions or Instructions, contact a healthcare professional, dealer or technical personnel before attempting to install this equipment - otherwise, injury or damage may occur.

- Patient and sling **MUST** be removed from the lift during ALL installation procedures.

9.2 Removing the Swivel Bar

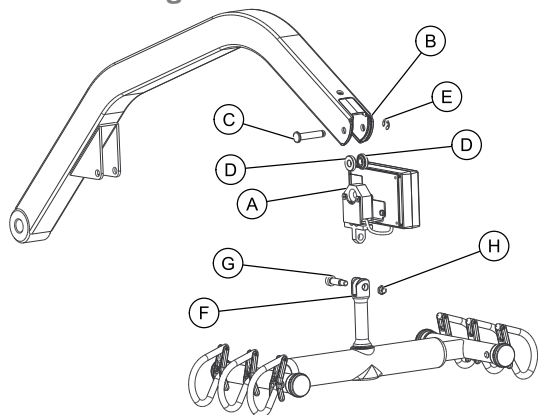


1. Remove the rubber cover (A) from the boom (B).
2. Remove the clip (C) and clevis pin (D) securing the hanger pin (E) to the boom.



Save the clip and clevis pin to secure the I-Lift Scale to the boom.

9.3 Installing the Scale



1. Remove the hanger bar. Refer to 9.2 Removing the Swivel Bar, page 47.
2. Position the load cell assembly (A) of the scale into the boom mounting bracket (B).
3. Secure the scale to the boom mounting bracket with the clevis pin (C), two spacers (D) and the clip (E).
4. Secure the hanger bar (F) to the scale with the shoulder bolt (G) and locknut (H).
5. Weigh the patient. Refer to 9.5 Weighing the Patient, page 50.

9.4 Operating the Scale



Keypad Functions

Key	Indicator Displayed	Indicator Location	Definition
ON OFF	OFF	Center of Display Window	Pressing this key will apply power to the scale and turn the unit on. When the scale is already on, pressing the button will turn the unit off.
ZERO	ZERO	Lower Left Corner of the Display Window	Pressing this key when the scale is on will reset the weight shown in the display window to zero.
UNITS	lb or kg	Upper Right Corner of the Display Window	The function of this key is to change the unit of measurement from pounds (lb) to kilograms (kg).
LOCK UNLOCK	LOCK	Lower Right Corner of the Display Window	This key is used to lock or unlock a weight value in the display window. NOTE: Weight displayed is a STORED weight and not the current weight when the key is used in the lock position.
N/A	LO BAT	Center of Display Window	Indicator is shown in the display window to notify when battery is low.

9.5 Weighing the Patient



WARNING!

– The weight capacity is limited to the lowest rated capacity of any one of the components in use (e.g. Patient Lift, Sling or Scale). The patient's weight **MUST** not exceed the lowest rated capacity of any component.

1. Attach sling straps to the hanger bar. For proper attachment instructions refer to 6.3 Attaching the Slings to the Lift, page 29.



For improved accuracy on the I-Lift, attach all sling straps to the center hooks on both sides of the hanger bar. However, patient comfort may require a different configuration of sling straps.

2. Press the ON/OFF key.



The display will indicate the last weight that was measured. The word “LOCK” will be seen in the display box.

The ZERO key is pressed in order to avoid capturing the weight of the sling and the hardware. If the ZERO key is not pressed the weight of the sling and the weight of the hardware will be included in the weight displayed. Not zeroing out will give a false reading of the patient's true weight.

3. Press the ZERO key. When the ZERO key is pushed the following will happen:
 - a. The scale will reset to zero and the word “ZERO” will appear in the display.
 - b. The lock function will then be turned off and the word “LOCK” will disappear from the display.



The scale is now active and continually updating the weight display.

4. Place the patient in the sling.
5. Attach the sling to the lift. Refer to 6.3 Attaching the Slings to the Lift, page 29.
6. Activate the lift mechanism to raise the patient until they are completely supported by the lift. For patient lifting instructions, refer to 6.4 Lifting and Transferring the Patient, page 31.
7. Note the weight display.
8. When the weight display becomes stable press the LOCK button to lock the weight display. This will be indicated by the word “LOCK” appearing in the display window.



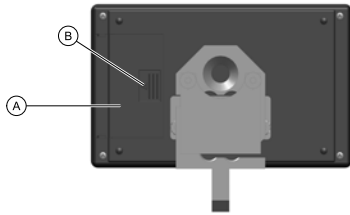
Should it be necessary to unlock the weight while the patient is still supported by the lift, the UNLOCK button may be pressed. The weight will unlock and the word “LOCK” will disappear from the display window. The weight value will then be updated. Once the weight becomes stable the weight can be locked again by pressing the LOCK button.

Stable being defined as the weight fluctuating two tenths of a pound. For example, a patient weighing one hundred pounds, the scale will fluctuate between 99.8 and 100.2 until the LOCK key is pressed. Fluctuation of the weight displayed is normal as noted above. Press the LOCK button to lock the weight.

9. The lift may now be lowered and the sling removed from the patient.

i The patient's weight will continue to be seen in the display window. The display will turn off automatically after a two minute period of non-use [no changes in weight exceeding five pounds (two kilograms)]. You can NOT adjust the time delay for automatic shut off. After the display has turned off, the weight may be recalled by pressing the ON/OFF button. The unit can be turned off by pressing the ON/OFF button a second time.

9.6 Replacing the Battery

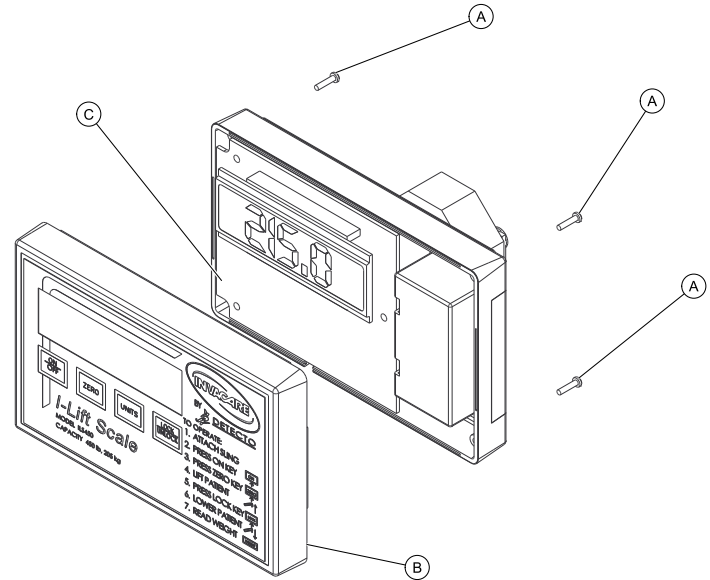


i The scale is powered by a nine volt alkaline battery that should provide approximately 1500 readings before needing replacement.

When battery replacement is needed, lo bat will appear on the display. Perform the following:

1. Slide the battery door **A** open in the direction of the arrow **B**.
2. Remove existing battery.
3. Install the new battery.
4. Reinstall the battery door.


9.7 Calibrating the Scale




i The I-Lift Scale will be pre-calibrated at the factory with the load cell. Should it be necessary to re-calibrate the scale, follow the instructions outlined below.

1. The patient and the sling must be removed from the scale to properly calibrate the I-Lift Scale. For removing the patient instructions refer to 6.4 Lifting and Transferring the Patient, page 31.
2. With the I-Lift Scale on, remove the four screws **A** on the back of the enclosure and remove the front cover **B** to expose the PC board **C**.

3. Press the CAL button located on the PC board. The CAL switch is not labeled but is the only button on the PC board located in the lower right corner. Once the CAL button is pushed “CAL1” will be seen in the display window.

 CAL1 selects the calibration mode using 50 pounds of calibrated weight. CAL2 selects the calibration mode for use with 200 pounds of calibrated weight. Pressing the UNITS key toggles between CAL1 and CAL2.


4. When the desired calibration mode is displayed, press the LOCK/UNLOCK key.

 The display window will now show UnLd.


5. Ensure that there is no load on the scale and press the ZERO key.
6. The display window will show a dashed line (-----) scrolling across and then the word “LOAD” will appear in the display window.
7. Perform one of the following:

- a. FOR CAL1 OPTION - support 50 pounds of calibrated weight from the scale and press the ZERO key.
- b. FOR CAL2 OPTION - support 200 pounds of calibrated weight from the scale and press the ZERO key.

8. The display window will show a dashed line (-----) scrolling across and then the word “DONE” will appear in the display window.
9. Remove the weight from the scale and press the LOCK/UNLOCK key.

 The unit will now be in a temporary test mode and will not lock the weight display. This will allow weight to be loaded and unloaded to check the calibration.



10. Turn the unit off by pressing the ON/OFF key.
11. Turn the unit on by pressing the ON/OFF key.

 Scale will now be in normal operation.

9.8 Troubleshooting

SYMPTOM	PROBABLE CAUSE	SOLUTIONS
Unit does NOT work properly.	Battery failure.	Check battery. Replace if necessary.
Battery has been replaced and unit still does NOT work properly.		Contact Invacare for Service at 1-800-333-6900

Display Codes

	CALIBRATION REQUIRED - Indicates improper stored calibration data, calibration is necessary.
	OVER CAPACITY - Indicates a weight exceeding the capacity has been loaded on the scale.

10 Warranty

10.1 Limited Warranty — North America



PLEASE NOTE: THE WARRANTY BELOW HAS BEEN DRAFTED TO COMPLY WITH FEDERAL LAW APPLICABLE TO PRODUCTS MANUFACTURED AFTER JULY 4, 1975.

This warranty is extended only to the original purchaser/user of our products.

This warranty gives you specific legal rights and you may also have other legal rights which vary from state to state.

Invacare warrants the products manufactured to be free from defects in materials and workmanship for a period of three years on the lift and one year on the slings, hydraulic pump / electric components from the date of purchase. If within such warranty period any such product shall be proven to be defective, such product shall be repaired or replaced, at Invacare's option. This warranty does not include any labor or shipping charges incurred in replacement part installation or repair of any such product. Invacare's sole obligation and your exclusive remedy under this warranty shall be limited to such repair and/or replacement.

For warranty service, please contact the dealer from whom you purchased your Invacare product. In the event you do not receive satisfactory warranty service, please write directly to Invacare at the address on the back cover, provide dealer's name, address, date of purchase, indicate nature of the defect.

Invacare Corporation will issue a serialized return authorization. The defective unit or parts **MUST** be returned for warranty inspection using the serial number, when applicable as identification within 30 days of return authorization date. Do not return products to our factory without our prior consent. C.O.D. shipments will be refused; please prepay shipping charges.

LIMITATIONS AND EXCLUSIONS: THE FOREGOING WARRANTY

1171892-A

SHALL NOT APPLY TO SERIAL NUMBERED PRODUCTS IF THE SERIAL NUMBER HAS BEEN REMOVED OR DEFACED, PRODUCTS SUBJECT TO NEGLIGENCE, ACCIDENT, IMPROPER OPERATION, MAINTENANCE OR STORAGE, PRODUCTS MODIFIED WITHOUT INVACARE'S EXPRESS WRITTEN CONSENT (INCLUDING, BUT NOT LIMITED TO, MODIFICATION THROUGH THE USE OF UNAUTHORIZED PARTS OR ATTACHMENTS; PRODUCTS DAMAGED BY REASON OF REPAIRS MADE TO ANY COMPONENT WITHOUT THE SPECIFIC CONSENT OF INVACARE, OR TO A PRODUCT DAMAGED BY CIRCUMSTANCES BEYOND INVACARE'S CONTROL, AND SUCH EVALUATION WILL BE SOLELY DETERMINED BY INVACARE. THE WARRANTY SHALL NOT APPLY TO PROBLEMS ARISING FROM NORMAL WEAR OR FAILURE TO ADHERE TO THE INSTRUCTIONS IN THIS MANUAL. THE FOREGOING WARRANTY IS EXCLUSIVE AND IN LIEU OF ANY OTHER EXPRESS WARRANTIES. IMPLIED WARRANTIES, IF ANY, INCLUDING THE IMPLIED WARRANTIES OF MERCHANTABILITY AND FITNESS FOR A PARTICULAR PURPOSE, SHALL NOT EXTEND BEYOND THE DURATION OF THE EXPRESSED WARRANTY PROVIDED HEREIN AND THE REMEDY FOR VIOLATIONS OF ANY IMPLIED WARRANTY SHALL BE LIMITED TO REPAIR OR REPLACEMENT OF THE DEFECTIVE PRODUCT PURSUANT TO THE TERMS CONTAINED HEREIN. INVACARE SHALL NOT BE LIABLE FOR ANY CONSEQUENTIAL OR INCIDENTAL DAMAGES WHATSOEVER.

SOME STATES DO NOT ALLOW EXCLUSION OR LIMITATION OF INCIDENTAL OR CONSEQUENTIAL DAMAGE, OR LIMITATION ON HOW LONG AN IMPLIED WARRANTY LASTS, SO THE ABOVE EXCLUSIONS AND LIMITATIONS MAY NOT APPLY TO YOU. THIS WARRANTY SHALL BE EXTENDED TO COMPLY WITH STATE OR PROVINCIAL LAWS AND REQUIREMENTS.

II Survey

II.1 Usability Survey

Please complete the survey below to evaluate this manual.
Your participation in the evaluation assists in the development of effective and usable manuals for our customers.

The survey is also available online:

<http://www.invacare.com/TechnicalDocumentSurvey>



Yes, you can!

1. Please indicate your primary involvement with the product (choose one):

- | | |
|---|--|
| <input type="checkbox"/> Product User/Owner | <input type="checkbox"/> Product Service Technician |
| <input type="checkbox"/> User Assistant | <input type="checkbox"/> Health Care Provider |
| <input type="checkbox"/> Product Dealer | <input type="checkbox"/> Other (please specify): _____ |

2. Please indicate which product manual you are evaluating:

3. Evaluate the content:

	YES	NO
After reading this document, do you have a better understanding of how to use the product?	<input type="checkbox"/>	<input type="checkbox"/>
Do you have a better understanding of any limitations on the use of this product?	<input type="checkbox"/>	<input type="checkbox"/>
Is there any irrelevant information?	<input type="checkbox"/>	<input type="checkbox"/>
Is the Table of Contents useful?	<input type="checkbox"/>	<input type="checkbox"/>
Does any information seem inaccurate/misleading?	<input type="checkbox"/>	<input type="checkbox"/>
Do you understand that misuse of the product can cause injury or damage?	<input type="checkbox"/>	<input type="checkbox"/>

Explain:

4. Evaluate the Warnings/Cautions:

	YES	NO
Are there any warnings/cautions that you do not understand?	<input type="checkbox"/>	<input type="checkbox"/>

Are there too many warnings/cautions?

Are there warnings/cautions that you feel do not apply to this product?

Explain:

5. Evaluate the style:

	YES	NO
Is anything hard to locate/follow?	<input type="checkbox"/>	<input type="checkbox"/>
Are any headings missing/confusing?	<input type="checkbox"/>	<input type="checkbox"/>
Are there too many headings?	<input type="checkbox"/>	<input type="checkbox"/>
Should any material be a bulleted list or checklist instead of numbered steps or a paragraph?	<input type="checkbox"/>	<input type="checkbox"/>
Is there material that might be clarified by a visual?	<input type="checkbox"/>	<input type="checkbox"/>

Explain:

6. Evaluate the illustrations:

	YES	NO
Are the illustrations useful?	<input type="checkbox"/>	<input type="checkbox"/>
Do the illustrations need more or less detail?	<input type="checkbox"/>	<input type="checkbox"/>
Is the number/size of illustrations adequate?	<input type="checkbox"/>	<input type="checkbox"/>

Explain:

7. Do you have suggestions for other ways of making this document easier to use?

Explain:	YES	NO
_____	<input type="checkbox"/>	<input type="checkbox"/>

Thank You! Thank you for completing this survey. If you have any questions or we may be of assistance to you, please feel free to contact us.

Send your survey to Invacare Technical Writing Department: TechnicalWriting@invacare.com or Invacare Corporation: One Invacare Way, Elyria, Ohio 44035 FAX: 440-329-6975

Table des matières

Ce manuel DOIT être remis à l'utilisateur du produit. Lire ce manuel AVANT d'utiliser ce produit, et le conserver en cas de besoin.

1	Généralités	57	5.1	Introduction	74
	1.1 Pictogrammes	57	5.2	Fermeture et ouverture des pattes	74
2	Sécurité	58		Ouverture et fermeture manuelle des	
	2.1 Directives générales	58		pattes	74
	2.2 Renseignements au sujet du fonctionnement	58		Ouverture et fermeture électrique des	
	Général	59		pattes	75
	Points de pincement et positionnement	60	5.3	Élévation et descente du lève-personne	76
	Électricité et mise à la terre	60		Élévation et descente du lève-personne manuel	
	Mise au rebut	61		et hydraulique	76
	2.3 Perturbations radioélectriques	62		Élévation et descente du lève-personne	
	2.4 Étiquetage du produit	63		électrique	77
3	Renseignements techniques	64	5.4	Activation du déverrouillage mécanique	
	3.1 Lève-personne	64		d'urgence	78
	3.2 Toiles hamac et renforcées	65		Déverrouillage d'urgence principal	78
	3.3 Toiles à double cuissarde et hygiéniques	66		Déverrouillage d'urgence secondaire	78
	3.4 Pèse-personne I-Lift ILS450	66	5.5	Procédure pour un arrêt d'urgence	79
4	Assemblage	67	5.6	Montage du chargeur de pile	79
	4.1 Assemblage sécuritaire	67	5.7	Charge de la pile	80
	4.2 Installation du mât sur la base	67	6	Soulever le Patient	81
	4.3 Assemblage de la pompe manuelle/hydraulique au			6.1 Élévation sécuritaire	81
	mât	69		6.2 Préparatifs pour le soulèvement	82
	4.4 Assemblage de l'actionneur électrique au bras	70		6.3 Installation des toiles du lève-personne	84
	4.5 Installation de l'actionneur de pattes à la base	71		6.4 Soulèvement et transfert du patient	86
	4.6 Installation de la poignée de l'embrayeur	71		Transfert à partir du sol	87
	4.7 Vérification du témoin de service	72		Directives de transfert pour la chaise	
	4.8 Réinitialisation du témoin de service	72		d'aisance	88
5	Fonctionnement	74		Transfert vers un lit	89
				Transfert pour fauteuil roulant	89
			7	Dépannage	91
				7.1 Tableau de dépannage	91
			8	Entretien	94
				8.1 Entretien de sécurité	94

8.2	Liste de vérifications de sécurité et d'entretien	94
8.3	Lubrification du lève-personne	96
8.4	Détection de l'usure et des dommages	96
8.5	Nettoyage de la toile et du lève-personne	96
8.6	Entretien de la pompe manuelle et hydraulique	96
8.7	Remplacement de pompe manuelle et hydraulique	97
8.8	Réglage de la soupape de commande de la pompe	98
8.9	Remplacement de l'actionneur électrique.	99
8.10	Remplacement de l'actionneur de pattes	100
8.11	Vérification et serrage de l'axe de pivot du mât.	101
8.12	Remplacement du support pivotant.	101
8.13	Entretien et alignement de la base.	102
8.14	Remplacement des roulettes arrière	103
8.15	Remplacement des roulettes avant	103
9	Pèse-personne.	104
9.1	Introduction au pèse-personne	104
9.2	Retrait du support pivotant.	104
9.3	Installation du pèse-personne	105
9.4	Usage du pèse-personne.	106
9.5	Pesée du patient	107
9.6	Remplacement de la pile.	108
9.7	Étalonnage du pèse-personne	109
9.8	Dépannage	110
	Codes d'affichage	110
10	Garantie	111
10.1	Garantie limitée - Amérique du Nord	111

I Généralités

I.1 Pictogrammes

Les mots-clés utilisés dans ce manuel s'appliquent aux risques ou aux pratiques dangereuses pouvant provoquer des blessures ou des dommages matériels. Consulter les informations ci-dessous pour obtenir la définition des mots-clés.

**AVERTISSEMENT !**

– Avertissement — indique l'imminence d'une situation dangereuse qui, si elle n'est pas évitée, pourrait causer de graves blessures, voire la mort.

**ATTENTION !**

– Mise en garde — indique l'imminence d'une situation dangereuse qui, si elle n'est pas évitée, pourrait causer des dommages matériels ou des blessures légères, voire les deux.

**IMPORTANT**

– Indique une situation dangereuse qui pourrait causer des dommages matériels si elle n'est pas évitée.



Propose des conseils, des recommandations et des informations utiles pour assurer un fonctionnement optimal.



Date de la fabrication

2 Sécurité

2.1 Directives générales

**AVERTISSEMENT !**

- NE PAS utiliser ce produit ou tout équipement en option disponible sans lire en entier et bien comprendre ces instructions et toutes instructions supplémentaires comme le manuel de l'utilisateur, le manuel d'entretien ou les feuillets d'instructions fournis avec ce produit ou tout équipement en option. Communiquer avec un professionnel de la santé, un détaillant ou un technicien qualifié si vous ne comprenez pas les avertissements, mises en garde et instructions avant de tenter d'utiliser cet équipement pour éviter tout risque de blessures ou de dommages.

**AVERTISSEMENT !****AVERTISSEMENT POUR LES ACCESSOIRES**

- Les produits Invacare sont spécifiquement conçus et fabriqués pour être utilisés avec les accessoires Invacare. Les accessoires conçus par d'autres fabricants n'ont pas été mis à l'essai par Invacare et leur utilisation avec les produits Invacare n'est pas recommandée.

**AVIS**

- L'information comprise dans ce document peut être modifiée sans préavis.

Vérifier le bon état de toutes les pièces avant d'utiliser l'appareil.
NE PAS utiliser cet appareil si des pièces sont endommagées.
Communiquer avec le détaillant pour de plus amples instructions.

2.2 Renseignements au sujet du fonctionnement

Ce chapitre du manuel contient des renseignements généraux sur la sécurité de votre produit. Pour des renseignements plus précis, consulter le chapitre correspondant du manuel et les procédures de ce chapitre. Par exemple, les renseignements sur la sécurité pour l'assemblage du lève-personne se trouve à l'article 4.1 Assemblage sécuritaire, page 67.

Général



AVERTISSEMENT !

Risque de chute

Le lève-personne de Invacare n'est PAS un dispositif de longue distance. Il est conçu pour transporter une personne d'une surface de repos à une autre (par exemple, d'un lit à un fauteuil roulant).

NE PAS tenter le transfert d'un patient sans l'accord de son médecin, de l'infirmier ou du préposé. Lire attentivement les instructions contenues dans le manuel de l'utilisateur, observer une équipe d'experts lors des procédures de soulèvement et exécuter toute cette procédure plusieurs fois sous supervision avec un individu en bonne santé jouant le rôle du patient.

Les toiles et accessoires du lève-personne de Invacare sont conçus spécifiquement pour être utilisés conjointement avec les lève-personnes de Invacare. Les toiles et accessoires conçus par d'autres fabricants ne doivent pas être utilisés comme composants du système de lève-personne de Invacare.

- Le bon sens est toujours de mise lors de tous soulèvements de personne. Une attention particulière DOIT être apportée avec les personnes souffrant d'incapacités parce qu'elles ne pourront pas apporter leur aide lors du soulèvement.

Points de pincement et positionnement



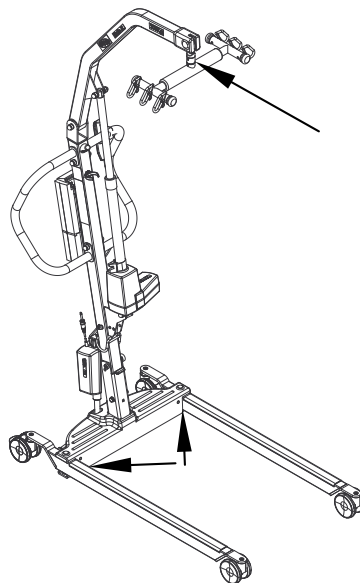
AVERTISSEMENT !

Risque de blessures

Des points de pincement sont présents à plusieurs endroits sur le lève-personne représentent des risques de pincements pour les doigts.

Le cintre peut se déplacer soudainement et causer des blessures.

- TOUJOURS éloigner les mains et les doigts des pièces mobiles pour éviter les blessures.
- Lors du positionnement du lève-personne, s'assurer en tout temps de la position du cintre et du patient. Des blessures peuvent se produire.



Électricité et mise à la terre



AVERTISSEMENT !

INSTRUCTIONS DE MISE À LA TERRE

NE PAS couper et NE PAS enlever sous aucune considération la broche cylindrique de mise à la terre d'une fiche utilisée avec et pour les produits Invacare. Certains appareils sont munis de fiches à trois broches (mise à la terre) pour une protection contre les risques d'électrocution. Là où il n'y a que des prises murales à trois broches disponibles, le client est responsable et a l'obligation de communiquer avec un électricien qualifié et de faire remplacer la prise à deux broches

par une prise à trois broches avec une mise à la terre adéquate et conforme au Code national de l'électricité. Si une rallonge s'avère nécessaire, utiliser seulement une rallonge à trois fils dont les caractéristiques nominales électriques sont égales ou supérieures à celles de l'appareil à brancher. De plus, Invacare a apposé des étiquettes d'avertissement ROUGE et ORANGE sur certains équipements. **NE PAS** retirer ces étiquettes.

- Lire attentivement les renseignements sur les piles et le chargeur de piles avant d'installer, de faire l'entretien et d'utiliser le lève-personne.
- Ce produit est équipé d'une fiche polarisée (une lame plus large que l'autre) pour réduire le risque de décharge électrique. Cette fiche s'insère d'une seule façon dans une prise polarisée. Tourner la fiche si elle ne s'insère pas complètement dans la prise. Si la fiche ne s'insère toujours pas, communiquer avec un électricien qualifié et faire installer une prise murale adéquate. **NE PAS** modifier la fiche d'aucune manière.

Mise au rebut



AVERTISSEMENT !

Risque pour l'environnement

Ce produit a été fourni par un fabricant sensible à l'environnement qui respecte la norme 2002/96/CE de la Waste Electrical and Electronic Equipment (WEEE).

L'appareil comprend des piles alcalines.

Ce produit peut contenir des substances qui pourraient être nuisibles à l'environnement si elles sont éliminées dans des endroits de décharge contrôlée qui ne respecte pas les règlements en vigueur.

- **NE PAS** jeter les piles avec les déchets ménagers.

Les apporter dans un lieu destiné à cet effet.

Communiquer avec l'entreprise de gestion de déchets locale pour obtenir de plus amples renseignements.

- Soyez sensible à l'environnement et recyclez ce produit par l'entremise de votre établissement de recyclage lorsque vous n'en aurez plus besoin.



2.3 Perturbations radioélectriques




AVERTISSEMENT !

- Les perturbations radioélectriques nuisent à la plupart des appareils électroniques. Il faut être **PRUDENT** lorsqu'on utilise de l'équipement de communication portatif à proximité de tels appareils. Si les perturbations radioélectriques provoquent une instabilité, **APPUYER IMMÉDIATEMENT** sur la position **OFF** (arrêt) de l'interrupteur **ROUGE**. **NE PAS** remettre l'interrupteur à la position **ON** (en marche) pendant la réception du signal.

2.4 Étiquetage du produit

i Illustration du lève-personne électrique. Les emplacements sont identiques sur les lève-personne hydraulique et manuel.

AVERTISSEMENT



Avant d'utiliser le lève-personne, pour assurer une utilisation adéquate et une exécution sécuritaire des procédures, LIRE et COMPRENDRE le manuel de l'utilisateur.

AVERTISSEMENT

Limite de poids: 450 livres.

Le lève-personne Invacare N'EST PAS un appareil de transport.

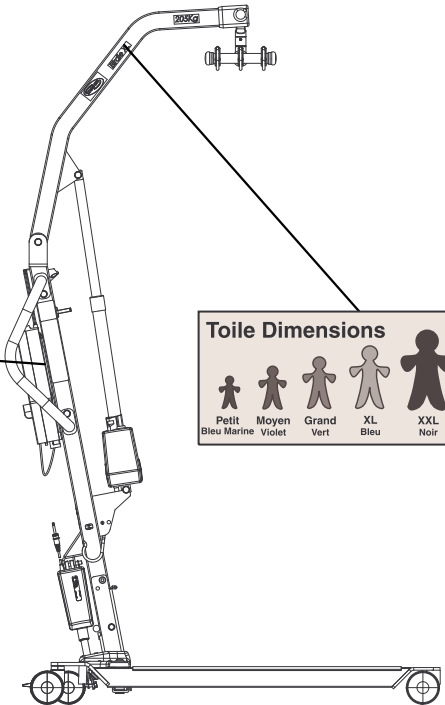
N'engagez PAS les roulettes sur toute surface inégale qui pourrait risquer de faire basculer le lève-personne.

NE PAS bloquer les roues du lève-personne lorsque vous soulevez un patient. Les roues doivent restées DÉBLOQUÉES pour permettre au lève-personne de se stabiliser tout au long de la procédure de levage.


N'utilisez que les toiles et les accessoires de lève-personne Invacare.


Pour l'entretien et le remplacement, n'utilisez que les composants conçus pour ce modèle de lève-personne. Consultez l'étiquette du produit pour avoir de l'information sur le modèle.


Customer Service
1-800-333-6900
1130267 Rev. C





Toile Dimensions


 Petit
Bleu Marine


 Moyen
Violet


 Grand
Vert


 XL
Bleu


 XXL
Noir

AVERTISSEMENT

UTILISER SEULEMENT DES TOILES ET DES ACCESSOIRES DE LEVAGE AUTHENTIQUES INVACARE.

1160882 REV. A

3 Renseignements techniques

3.1 Lève-personne

	Base hydraulique — manuelle	Base électrique — manuelle	Base électrique — électrique
	ILIFTHM	ILIFTEM	ILIFTEE
Hauteur depuis le crochet de la toile - MAX. :	1,816 m (75,5 po)	1,933 m (76,1 po)	
Hauteur depuis le crochet de la toile - MIN. :	57,9 cm (22,8 po)	56,4 cm (22,2 po)	
Largeur de la base en position OUVERTE :	1,196 m (47 po)		1,358 m (53,4 po)
Largeur de la base en position FERMÉE :	70,5 cm (27,8 po)		
Hauteur libre de la base :	1,17 m (4,6 po)		
Longueur de la base :	1,184 m (46,6 po)		
Dimension des roulettes :	10 cm (3,94 po)		
Options de la toile :	3 styles	3 styles	1 style
Diamètre de virage :	1,450 m (57 po)	1,464 m (57,6 po)	
Capacité de soulèvement max. (capacité pondérale) :	205 kg (450 lb)		
Poids total	49,9 kg (110 lb)	53,3 kg (117,5 lb)	54,4 kg (120 lb)
Cycles avec une charge complète (variable selon la charge et la poussée) :	S.O.	Environ 40 cycles	
Pile :	S.O.	24 VCC (rechargeable)	
Puissance d'entrée du chargeur :	S.O.	100 à 240 VCA	
Puissance de sortie du chargeur/Temps de charge :	S.O.	29,5 VCC Max. 6 h	
Accessoires :	Pèse-personne numérique		
Alarme sonore de pile faible :	S.O.	Oui	
Dispositifs de sécurité motrice :	S.O.	Antiépiégeage	
Garantie de la pompe/équipement électronique :	1 an		
Garantie de la structure	3 ans		

3.2 Toiles hamac et renforcées

	Hamac			Hamac Avec ouverture périnéale			renforcée avec/sans ouverture périnéale	renforcée avec ouverture périnéale
	R110 R112*	R111 R113*	R114	R115	R116	R117*	R140*	R141*
Dimensions :	M	G	TG	M	G	TG	S.O.	S.O.
Largeur :	105,4 cm (41,5 po)	115,6 cm (45,5 po)	115,6 cm (45,5 po)	105,4 cm (41,5 po)	115,3 cm (45,4 po)	115,6 cm (45,5 po)	114,3 cm (45 po)	114,3 cm (45 po)
Ouverture périnéale :	S.O.	S.O.	S.O.	20,3 cm (8 po)	20,3 cm (8 po)	22,9 cm (9 po)	S.O.	17,8 cm (7 po)
Longueur :	138,9 cm (54,7 po)	153,7 cm (60,5 po)	165,9 cm (65,3 po)	138,9 cm (54,7 po)	153,7 cm (60,5 po)	165,9 cm (65,3 po)	139,7 cm (55 po)	139,7 cm (55 po)
Ouverture périnéale :	S.O.	S.O.	S.O.	27,9 cm (11 po)	27,9 cm (11 po)	33 cm (13 po)	S.O.	33 cm (13 po)
Dossier :	S.O.	S.O.	S.O.	S.O.	S.O.	S.O.	S.O.	S.O.
Capacité pondérale :	205 kg (450 lb)	205 kg (450 lb)	205 kg (450 lb)	205 kg (450 lb)	205 kg (450 lb)	205 kg (450 lb)	271,8 kg (600 lb)	271,8 kg (600 lb)



*Toiles fabriquées d'un tissu métallique.

Toutes les dimensions sont indiquées en centimètres et en pouces.

3.3 Toiles à double cuissarde et hygiéniques

	Double cuissarde				Hygiénique
	R100P	R100	R101	R102	R121
Dimensions :	P	M	G	TG	G
Largeur :	83,8 cm (33 po)	95,2 cm (37,5 po)	104,1 cm (41 po)	113 cm (44,5 po)	91,4 cm (36 po)
Ouverture périnéale :	S.O.	S.O.	S.O.	S.O.	S.O.
Longueur :	151,9 cm (59,8 po)	159,5 cm (62,8 po)	172,2 cm (67,8 po)	183,6 cm (72,3 po)	94 cm (37 po)
Ouverture périnéale :	S.O.	S.O.	S.O.	S.O.	S.O.
Dossier :	74,2 cm (29,2 po)	90,7 cm (35,7 po)	105,9 cm (41,7 po)	109,7 cm (43,2 po)	S.O.
Capacité pondérale :	205 kg (450 lb)	205 kg (450 lb)	205 kg (450 lb)	205 kg (450 lb)	205 kg (450 lb)



Toutes les dimensions sont indiquées en centimètres et en pouces.

3.4 Pèse-personne I-Lift ILS450

Échelle de poids :	Jusqu'à 271,8 kg (600 lb)
Résolution :	+/- 100 g (0,2 lb)
Afficheur :	Cristaux liquides numériques
Mise en veille automatique :	Deux (2) minutes
Dimensions :	L x P x H : 14,6 x 9,2 x 10,2 cm (5 3/4 x 3 5/8 x 4 po)
Poids :	250 g (0,55 lb)
Alimentation :	Pile alcaline de 9 V (comprise)
Durée de vie de la pile :	Environ 1 500 lectures
Échelle de température :	10 à 40 °C (50 à 104 °F)

4 Assemblage

4.1 Assemblage sécuritaire



AVERTISSEMENT !

Risque de blessures

Un assemblage incorrect peut causer des blessures ou des dommages.

- Utiliser uniquement les pièces Invacare pour assembler ce lève-personne. Les pattes de la base, le mât, le bras, l'assemblage de pompe et le cintre sont fabriqués selon des caractéristiques techniques assurant un alignement précis de toutes les pièces afin d'assurer un fonctionnement sécuritaire.
- NE PAS serrer excessivement la quincaillerie de montage. Un serrement excessif endommagera le support de fixation.

4.2 Installation du mât sur la base

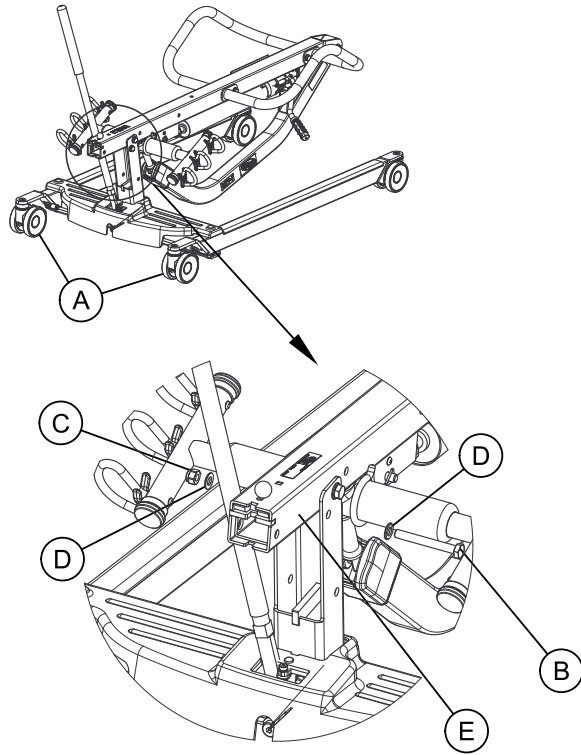
1. Verrouiller les roulettes arrière ① (Détail A).
2. Retirer le boulon à épaulement ②, l'écrou ③ et les rondelles ④ du mât ⑤.
3. Relever l'assemblage du mât à la verticale jusqu'à ce qu'il s'enclenche correctement. (Détail B).
4. Installer le boulon à épaulement et les rondelles pour relier le mât et la base ⑥.
5. Sécuriser avec l'écrou.



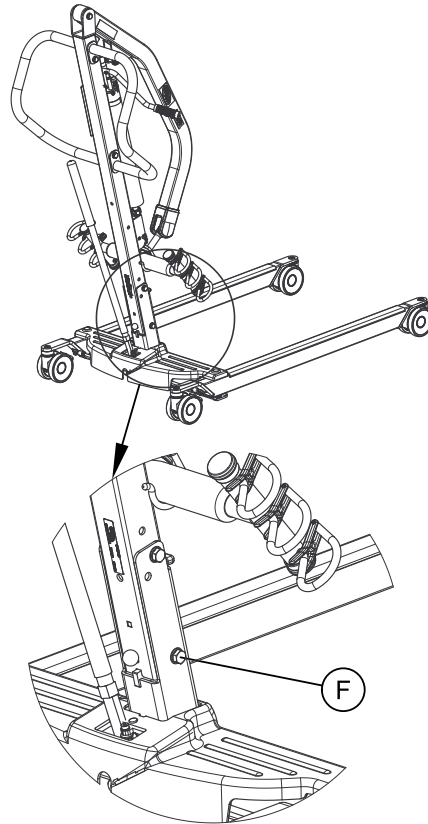
AVERTISSEMENT !

- Le mât se plie pour le rangement ou le transport. Chaque fois que le mât est plié, le mât DOIT être sécurisé fermement à l'assemblage de la base.

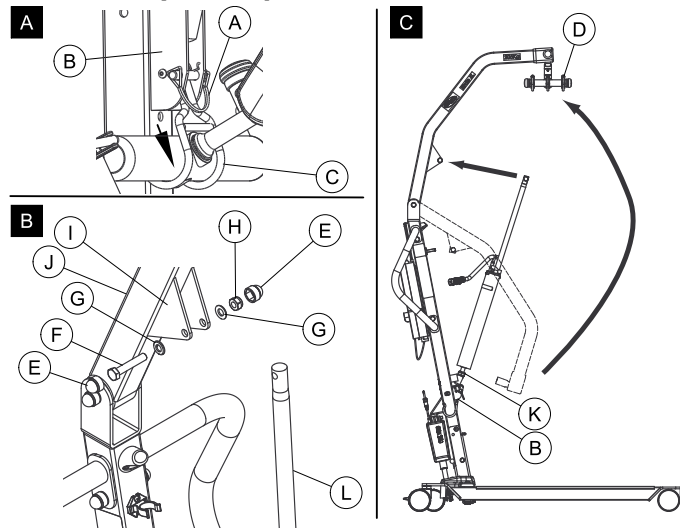
A



B



4.3 Assemblage de la pompe manuelle/hydraulique au mât



ATTENTION !

– NE PAS serrer excessivement la quincaillerie de montage. Un serrement excessif endommagera le support de fixation.

1. Retirer la goupille à déclenchement rapide (A) du support de fixation du mât (B) (Détail A).
2. Soulever le crochet (C) sécurisant le cintre (D) au mât.



Le cintre inséré dans le crochet n'est pas illustrée au Détail A.

3. Retirer les capuchons (E), le boulon (F), les rondelles (G) et l'écrou (H) du support de fixation (I) du bras (J) (Détail B).



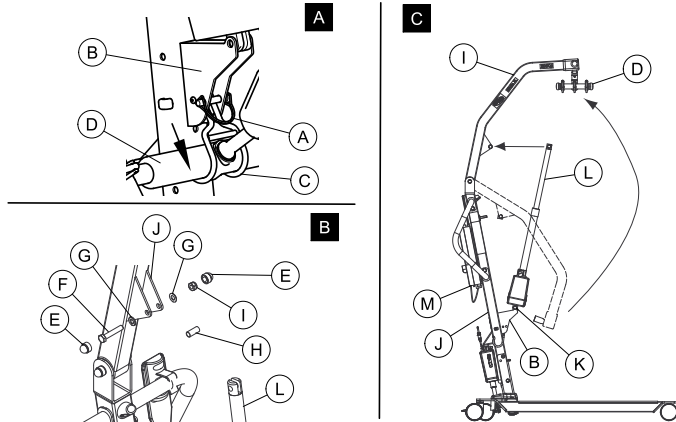
La partie inférieure de l'assemblage de pompe hydraulique (K) est déjà assemblée au support de fixation du mât (Détail C).

4. Relever vers le bras et déposer sur l'épaule gauche.
5. Laisser reposer la pompe hydraulique sur le côté droit du torse et tourner l'arbre-rallonge (L) de l'assemblage de pompe hydraulique jusqu'à ce qu'il s'aligne avec les trous de montage situés sur le bras.
6. Aligner les trous du support de fixation avec les trous de l'arbre-rallonge.
7. Installer le boulon, les rondelles, l'écrou et les capuchons.



S'assurer que le boulon traverse complètement les trous du support de fixation du bras et l'assemblage de pompe manuelle/hydraulique. L'assemblage du bras pivotera facilement si la quincaillerie de montage est alignée correctement lorsque le bras est sécurisé au mât.

4.4 Assemblage de l'actionneur électrique au bras



ATTENTION ! Risque de dommages

– NE PAS serrer excessivement la quincaillerie de montage. Un serrement excessif endommagera le support de fixation.

1. Retirer la goupille à déclenchement rapide (A) du support de fixation du mât (B) (Détail A).
2. Soulever le crochet (C) sécurisant le cintre (D) au mât.
3. Retirer les capuchons (E), le boulon (F), les rondelles (G), la bague (H) et l'écrou (I) du support de fixation du bras. (J) (Détail B).

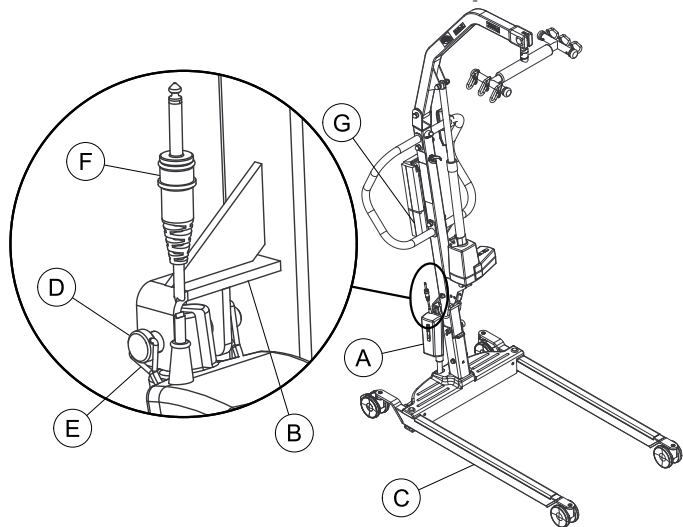


La partie inférieure de l'assemblage de l'actionneur électrique (K) est déjà assemblée au support de fixation du mât. (Détail C).

4. Relever vers le bras et déposer sur l'épaule gauche.

5. Laisser reposer l'actionneur sur le côté droit du torse et tourner l'arbre-rallonge (L) de l'assemblage de l'actionneur jusqu'à ce qu'il s'aligne avec les trous de montage situés sur l'assemblage du bras.
6. Aligner les trous du support de fixation de l'assemblage du bras avec les trous de l'actionneur.
 - i S'assurer que les boulons traversent complètement les trous du support de fixation du bras et l'assemblage de l'actionneur. L'assemblage du bras pivotera facilement si la quincaillerie de montage est alignée correctement lorsque le bras est sécurisé au mât.
7. Installer le boulon, les rondelles, l'écrou, la bague et les capuchons.
8. Raccorder les connecteurs électriques (non illustrés) de l'actionneur électrique à la partie inférieure de l'assemblage de pile.
9. Brancher la télécommande dans la partie inférieure de l'assemblage de pile (M). S'assurer que la prise de la télécommande est complètement enfoncée.

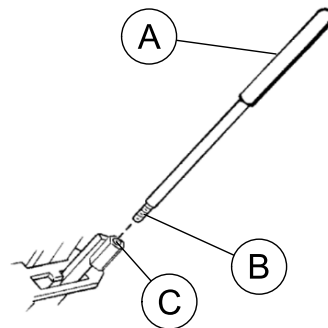
4.5 Installation de l'actionneur de pattes à la base



1. Exécuter les étapes suivantes pour sécuriser l'actionneur de pattes au support de fixation du mât :
 - a. Positionner l'actionneur de pattes **A** dans le support de fixation du mât **B**.
 - b. Déplacer les pattes **C** pour aligner les trous de l'actionneur de pattes avec les trous du support de fixation du mât.
 - c. Insérer la clavette **D** dans les trous de l'actionneur de pattes et du support de fixation du mât et sécuriser avec les épingles de blocage **E**.
2. Brancher le câble de l'actionneur de pattes **F** au bas de la boîte de commande **G**.

3. S'assurer que la fiche de l'actionneur est complètement insérée dans la boîte de commande.
4. Vérifier le fonctionnement du témoin de service. Consulter l'article 4.7 Vérification du témoin de service, page 72.

4.6 Installation de la poignée de l'embrayeur




Cette procédure ne concerne que les modèles ILIFTHM et ILIFTEM.

1. Retirer la poignée de l'embrayeur (A) de l'emballage.
2. Aligner les filets de la poignée de l'embrayeur (B) avec le trou fileté (C) situé sur la base.
3. Tourner la poignée de l'embrayeur vers la droite et la serrer fermement à la base.

4.7 Vérification du témoin de service

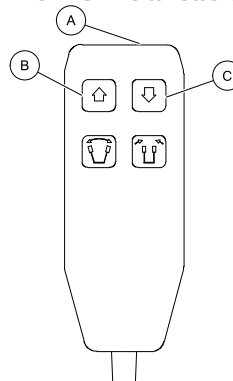



 Cette procédure ne concerne que les modèles ILIFTEE. Le témoin de service doit être vérifié chaque fois que le lève-personne est assemblé et avant son utilisation.




1. Assembler le lève-personne.
2. Examiner la boîte de commande (A) et s'assurer que le témoin de service (B) clignote.
3. Consulter le tableau.

Témoin de service	Premier assemblage	Réassemblage
Clignotement	Réinitialiser le témoin de service. Consulter l'article 4.8 Réinitialisation du témoin de service, page 72.	Le témoin de service doit être réparé. Communiquer avec le détaillant Invacare local pour faire réparer le témoin.
Ne clignote pas	Ce lève-personne est prêt pour l'utilisation.	

4.8 Réinitialisation du témoin de service



 Cette procédure ne doit être faite qu'après avoir exécuté l'article 4.7 Vérification du témoin de service, page 72.

1. Repérer la commande manuelle .
2. Appuyer et maintenir simultanément le bouton UP (vers le haut) enfoncé  et le bouton DOWN (vers le bas)  pendant cinq secondes.




Un signal sonore se fera entendre lorsque le témoin de service après sa réinitialisation.

5 Fonctionnement

5.1 Introduction

L'opération du lève-personne est facile et sécuritaire.

 Avant d'utiliser le lève-personne, consulter les procédures suivantes pour connaître les renseignements sur la sécurité et les instructions :

- 2.2 Renseignements au sujet du fonctionnement, page 58
- 6.4 Soulèvement et transfert du patient, page 86

5.2 Fermeture et ouverture des pattes



AVERTISSEMENT !

Risque de blessures

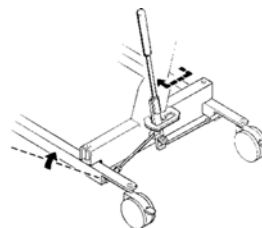
Ce lève-personne peut basculer et blesser le patient et les préposés.

- Les pattes du lève-personne **DOIVENT** être complètement ouvertes afin d'assurer une stabilité et une sécurité optimales. Les pattes du lève-personne doivent être refermées afin de pouvoir manoeuvrer le lève-personne sous un lit et les tenir fermées aussi longtemps qu'il faut pour positionner le lève-personne au-dessus du patient et lors de son soulèvement de la surface du lit. Lorsque les pattes du lève-personne sont dégagées du dessous du lit, ouvrir complètement les pattes du lève-personne.
- La poignée de l'embrayeur doit être verrouillée afin d'offrir une stabilité et une sécurité optimales.

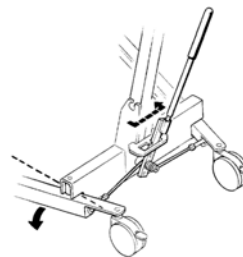
Ouverture et fermeture manuelle des pattes

La poignée de l'embrayeur est utilisée pour ouvrir et fermer les pattes de la base afin d'obtenir la stabilité lors du soulèvement du patient.

A




B



Consulter les renseignements sur la sécurité à l'article 5.2 Fermeture et ouverture des pattes, page 74 avant d'exécuter cette procédure.

1. Se placer derrière le lève-personne et tenir la poignée de l'embrayeur avec une main et placer l'autre main sur la manette de direction du mât pour maintenir l'équilibre.

 La poignée de l'embrayeur **DOIT** s'insérer complètement dans sa fente de montage afin de verrouiller les pattes en position complètement fermée.



AVERTISSEMENT !

Risque de blessures

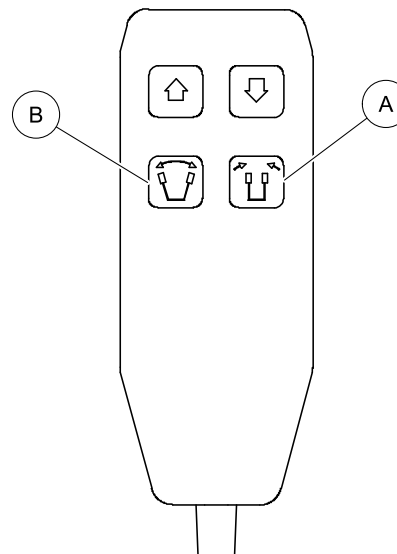
Ce lève-personne peut basculer et blesser le patient et les préposés.

– Si la poignée de l'embrayeur ne s'insère **PAS** complètement dans sa fente de montage, **NE PAS** utiliser le lève-personne jusqu'à ce que la poignée de l'embrayeur soit complètement insérée et que les pattes du lève-personne soient correctement verrouillées.

2. Exécuter l'une des procédures suivantes :
 - a. Fermeture des pattes **Ⓐ** - Tirer et éloigner la poignée de l'embrayeur du lève-personne vers la gauche jusqu'à ce qu'elle s'insère dans la fente du support de fixation.
 - b. Ouverture des pattes **Ⓑ** - Tirer et éloigner la poignée de l'embrayeur du lève-personne vers la droite.

Ouverture et fermeture électrique des pattes

La télécommande est utilisée pour ouvrir et fermer les pattes de la base afin d'obtenir la stabilité lors du soulèvement du patient.



Consulter les renseignements sur la sécurité à l'article 5.2 Fermeture et ouverture des pattes, page 74 avant d'exécuter cette procédure.

1. Pour fermer les pattes, appuyer sur le bouton de fermeture des pattes **Ⓐ**.
2. Pour ouvrir les pattes, appuyer sur le bouton d'ouverture des pattes **Ⓑ**.

5.3 Élévation et descente du lève-personne



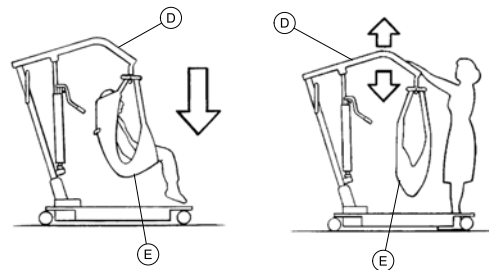
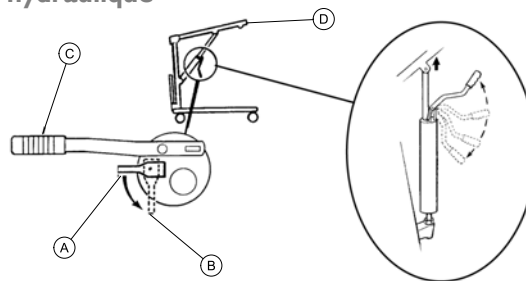
AVERTISSEMENT !


Risque de blessures

Ce lève-personne peut basculer et blesser le patient et les préposés.

- Invacare ne recommande PAS de verrouiller les roulettes arrière du lève-personne pendant le soulèvement d'un patient.
- Invacare RECOMMANDE que les roulettes arrière soient déverrouillées lors du soulèvement du patient pour permettre la stabilisation du lève-personne lorsque le patient est soulevé d'une chaise, d'un lit ou d'un objet fixe.

Élévation et descente du lève-personne manuel et hydraulique




 Consulter les renseignements sur la sécurité à l'article 5.3 Élévation et descente du lève-personne, page 76 avant d'exécuter cette procédure.


L'assemblage de pompe est doté de deux dispositifs de commande :

- Une soupape de commande
- Une poignée de pompe

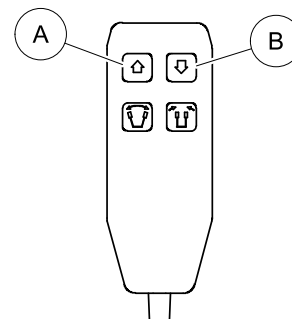
I. Pour élever le lève-personne :


- a. Positionner la soupape de commande en position fermée (A) (en direction de la poignée de pompe C).
 - b. Déplacer la poignée de pompe vers le haut et vers le bas pour élever le bras D jusqu'à ce qu'il s'enclenche dans l'encoche située sur le support.
 - c. S'assurer que le bras est enclenché dans l'encoche située sur le support.
2. Pour descendre le lève-personne :
- a. Tourner lentement B la soupape de commande (position éloignée de la poignée de pompe).
 - b. Si aucun patient n'est installé dans la toile E, appuyer sur le bras pour descendre le lève-personne.

 La vitesse de descente du bras est contrôlée par la distance d'ouverture de la soupape de commande.

 Une marge de sécurité du système hydraulique contrôle la vitesse maximale de descente du bras sans égard à la distance d'ouverture de la soupape de commande.

Élévation et descente du lève-personne électrique



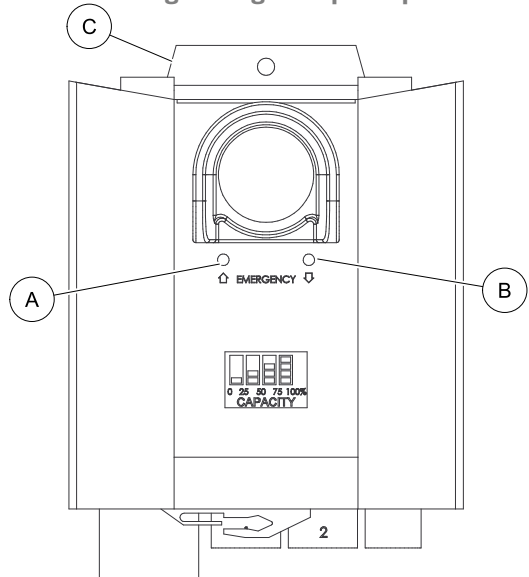
 Consulter les renseignements sur la sécurité à l'article 5.3 Élévation et descente du lève-personne, page 76 avant d'exécuter cette procédure.

1. Pour hisser le lève-personne - Appuyer sur le bouton UP (vers le haut) A pour hisser le bras et le patient.
2. Pour descendre le lève-personne - Appuyer sur le bouton DOWN (vers le bas) B descendre le bras et le patient.

5.4 Activation du déverrouillage mécanique d'urgence

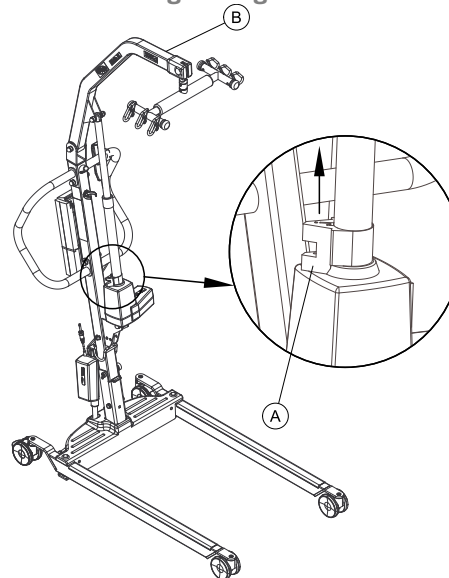
Ce dispositif est équipé d'un système de déverrouillage d'urgence mécanique principal et secondaire.

Déverrouillage d'urgence principal



- I. Insérer un crayon dans le trou étiqueté « Emergency Up » (élévation d'urgence) (A) ou « Emergency Down » (descente d'urgence) (B) sur la boîte de commande (C).

Déverrouillage d'urgence secondaire

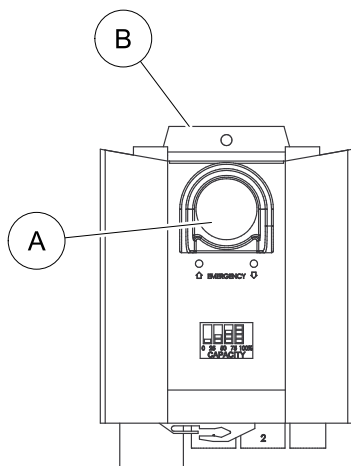


- i** Il est recommandé d'utiliser le déverrouillage d'urgence principal. Le déverrouillage d'urgence secondaire n'est qu'un dispositif de secours du déverrouillage principal.

Le déverrouillage d'urgence secondaire peut être utilisé lorsque le déverrouillage d'urgence principale ne fonctionne pas.

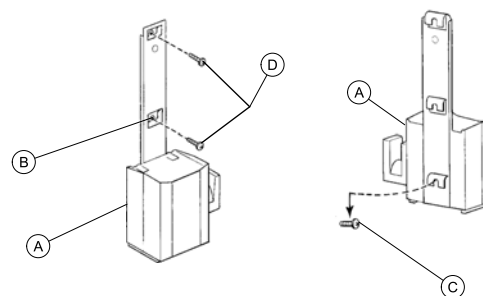
- I. Tirer le dispositif d'URGENCE (A) vers le haut et abaisser simultanément le bras (B).


5.5 Procédure pour un arrêt d'urgence




1. Appuyer sur le bouton ROUGE (A) de la boîte de commande (B) pour empêcher l'élévation ou la descente du bras et du patient.
2. Pour réinitialiser, tourner le bouton d'urgence vers la droite.

5.6 Montage du chargeur de pile

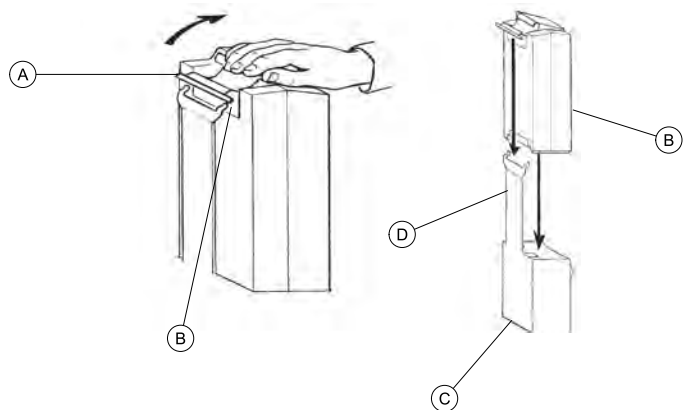



 Consulter les lois locales au sujet des procédures adéquates de montage.

1. Placer le support du chargeur de pile et le support de fixation (A) au mur à la position désirée.
2. À l'aide d'un crayon, faire une marque au centre du trou (B).
3. Mesurer 16,5 cm (6 po) au bas du trait de crayon et percer un trou de montage.
4. Installer la vis de montage inférieure (C) jusqu'à ce qu'il y ait un écart d'environ 3,2 mm (1/8 po) entre la tête de la vis et le mur.
5. Installer le chargeur de pile et le support de fixation sur la vis de montage inférieure.
6. Percer les deux autres trous de montage.
7. Installer les deux autres vis de montage (D) dans le support de fixation et dans le mur. Serrer fermement.
8. Brancher le chargeur de pile dans une prise électrique.

 Le témoin DEL « ON » (sous tension) s'allumera.

5.7 Charge de la pile



 Invacare recommande de charger quotidiennement la pile pour en prolonger sa durée de vie utile.

Un signal sonore sera émis (avertisseur sonore à air) dès que la pile est faible.

1. Soulever la poignée (A) à l'arrière de la pile (B).
2. Soulever la pile hors de la boîte de commande (C).



ATTENTION !

Une installation incorrecte de la pile peut causer des blessures ou des dommages.
– S'assurer que l'enclenchement (clic) se produit lors de l'installation de la pile sur le chargeur pour confirmer qu'elle est installée correctement.

3. Placer la pile sur le chargeur (D), comme illustré. S'assurer que l'enclenchement (clic) se produit.



La DEL de charge s'allumera. La DEL s'éteint dès que la charge est terminée.

Une charge complète de la pile dure environ quatre heures.

4. Soulever la poignée à l'arrière de la pile.
5. Soulever la pile et l'éloigner du chargeur.



ATTENTION !

Une installation incorrecte de la pile peut causer des blessures ou des dommages.
– S'assurer que l'enclenchement (clic) se produit lors de l'installation de la pile sur la boîte de commande pour confirmer qu'elle est installée correctement.

6. Réinstaller la pile sur la boîte de commande, comme illustré. S'assurer que l'enclenchement (clic) se produit.



La pile s'installe à la boîte de commande et au chargeur, comme illustré.

6 Soulever le Patient

6.1 Élévation sécuritaire



AVERTISSEMENT !

Risque de blessures

Ce lève-personne peut basculer et blesser le patient et les préposés.

- Consulter les renseignements sur la sécurité et les procédures suivantes AVANT toute utilisation :

6.2 Préparatifs pour le soulèvement, page 82

6.3 Installation des toiles du lève-personne, page 84

6.4 Soulèvement et transfert du patient, page 86

- Même si Invacare recommande la présence de deux préposés lors des préparatifs de soulèvement et le transfert du patient vers ou depuis une surface, notre équipement peut être manoeuvré facilement par une personne. L'aide d'un seul préposé repose sur l'évaluation du professionnel de soins de santé pour chaque individu.
- NE JAMAIS excéder la limite de poids maximum du lève-personne. La limite de poids du modèle I-Lift est de 205 kg (450 lb).
- NE PAS tenter le transfert d'un patient sans l'accord de son médecin, de l'infirmier ou du préposé. Lire attentivement les instructions contenues dans le manuel de l'utilisateur, observer une équipe d'experts lors des procédures de soulèvement et exécuter toute cette procédure plusieurs fois sous supervision avec un individu en bonne santé jouant le rôle du patient.



AVERTISSEMENT !

Risque de blessures

Ce lève-personne peut basculer et blesser le patient et les préposés.

- Pendant le transfert, alors que le patient est suspendu dans la toile fixée au lève-personne, NE PAS faire rouler la base sur des surfaces inégales qui pourraient faire basculer le patient par-dessus le lève-personne.
- Utiliser la manette de direction du mât en tout temps pour pousser et tirer le lève-personne.
- Les verrous des roues du fauteuil roulant DOIVENT être enclenchés avant d'abaisser le patient dans le fauteuil roulant aux fins de déplacement.
- Avant de transférer un patient, s'assurer que la capacité pondérale du fauteuil roulant permet de soutenir le poids du patient.

6.2 Préparatifs pour le soulèvement

i Consulter le chapitre sur la sécurité de ce manuel et réviser les renseignements 6.1 Élévation sécuritaire, page 81 avant de procéder et respecter tous les avertissements s'y trouve.

Avant de positionner les pattes du lève-personne sous un lit, s'assurer que l'endroit est libre d'obstacles.

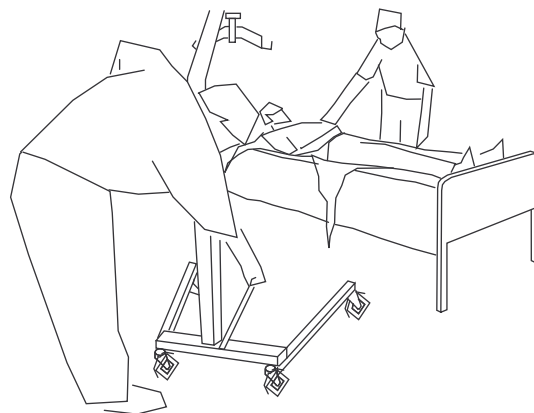


AVERTISSEMENT !

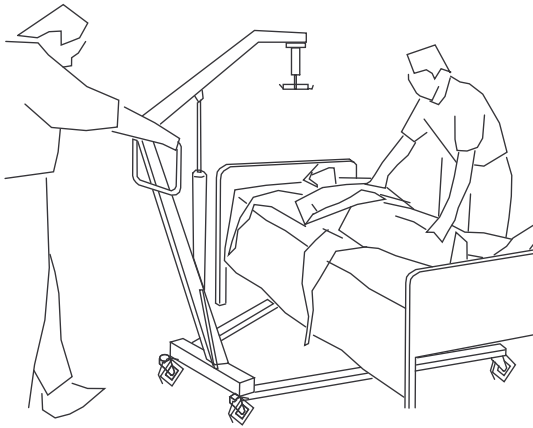
Risque de blessures

Ce lève-personne peut basculer et blesser le patient et les préposés.

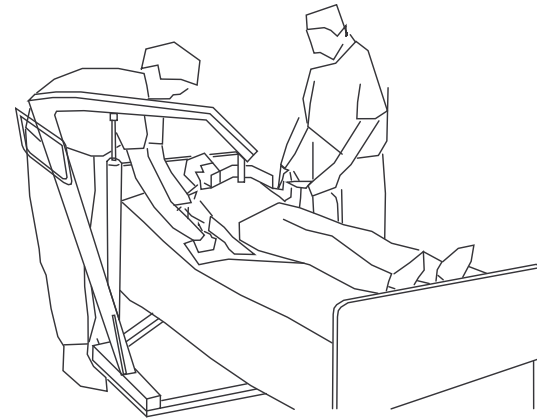
- Les pattes du lève-personne **DOIVENT** être complètement ouvertes afin d'assurer une stabilité et une sécurité optimales. Les pattes du lève-personne doivent être refermées afin de pouvoir manoeuvrer le lève-personne sous un lit et les tenir fermées aussi longtemps qu'il faut pour positionner le lève-personne au-dessus du patient et lors de son soulèvement de la surface du lit. Lorsque les pattes du lève-personne sont dégagées du dessous du lit, ouvrir complètement les pattes du lève-personne.
- La poignée de l'embrayeur doit être verrouillée afin d'offrir une stabilité et une sécurité optimales.



1. Installer le patient dans la toile. Consulter le manuel de l'utilisateur de la toile utilisée.
2. Déverrouiller les roulettes arrière.
3. Ouvrir et verrouiller les pattes. Consulter l'article 5.2 Fermeture et ouverture des pattes, page 74.



4. Utiliser la manette de direction pour pousser le lève-personne à sa position.



5. Descendre le lève-personne pour faciliter l'accrochage de la toile.
6. Verrouiller les roulettes arrière.
7. Procéder selon l'article 6.4 Soulèvement et transfert du patient, page 86.

6.3 Installation des toiles de lève-personne



AVERTISSEMENT !

Risque de chute

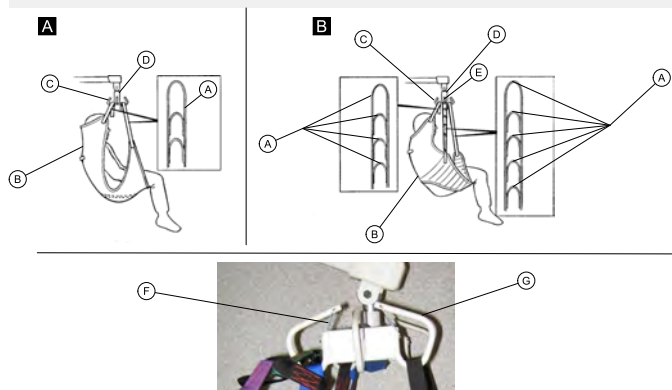
Des toiles mal installées ou endommagées peuvent provoquer la chute du patient et occasionner des blessures aux préposés.

- Utiliser une toile approuvée par Invacare et recommandée par le médecin, l'infirmier ou le préposé afin d'assurer la sécurité et le confort du patient durant la levée.
- Après chaque lessive (selon les instructions sur l'étiquette de la toile), inspecter les toiles pour s'assurer qu'il n'y a pas d'usure, de déchirures ou de coutures usées.
- Des toiles javélisées, déchirées, coupées, effilochées ou brisées ne sont pas sécuritaires et peuvent causer des blessures. Jeter immédiatement ces toiles.
- NE PAS modifier les toiles.
- Vérifier les attaches des toiles chaque fois qu'une toile est retirée et remplacée pour s'assurer qu'elle est bien fixée avant de déplacer le patient à partir d'un objet fixe (lit, chaise, chaise d'aisance).
- Si le patient est en fauteuil roulant, enclencher le verrou des roues afin de prévenir le déplacement du fauteuil.




AVERTISSEMENT !

- NE PAS retirer les dispositifs de retenue de sangle des crochets du cintre. Les dispositifs de retenue de sangle doivent se refermer lorsque les sangles sont insérées correctement sur les crochets.
- En fixant les toiles au lève-personne à l'aide des sangles à code-couleurs, la sangle la plus courte DOIT être située à l'arrière du patient pour le soutenir. L'utilisation de la section longue procure peu ou pas de soutien au dos du patient. Les boucles de la toile à code-couleurs peuvent être utilisées pour installer le patient dans diverses positions. Les couleurs facilitent la fixation égale de la toile sur les deux côtés. S'assurer que la tête du patient est bien soutenue pendant la levée.




Les toiles sont munies de sangles à code-couleurs pour faciliter la fixation.

- I. Enfiler les sangles (A) de la toile (B) sur les crochets (C) du cintre (D).

 Le dispositif de retenue ⑥ se referme lorsque la sangle de la toile est correctement insérée sur le crochet ⑦.

2. Faire correspondre les couleurs de chaque côté de la toile pour un soulèvement uniforme du patient.

 Nos de modèles R110 - R117 Toiles hamac et nos de modèles R120 - R122 Toiles hygiéniques avec quatre sangles (deux de chaque côté - Voir Détail A). Nos de modèles R100 - R102 Toiles à double cuissarde avec six sangles (trois de chaque côté - Voir Détail B).

Le lève-personne à supports pivotants de Invacare comportent trois points d'ancrage par côté. Le point d'ancrage du centre ⑧ est utilisé **UNIQUEMENT** pour les toiles ayant trois sangles de chaque côté.

3. Utilisation du lève-personne. Consulter l'article 6.4 Soulèvement et transfert du patient, page 86.

6.4 Soulèvement et transfert du patient



AVERTISSEMENT !

Risque de blessures

Ce lève-personne peut basculer et blesser le patient et les préposés.

– Consulter les renseignements sur la sécurité et les procédures suivantes AVANT toute utilisation :

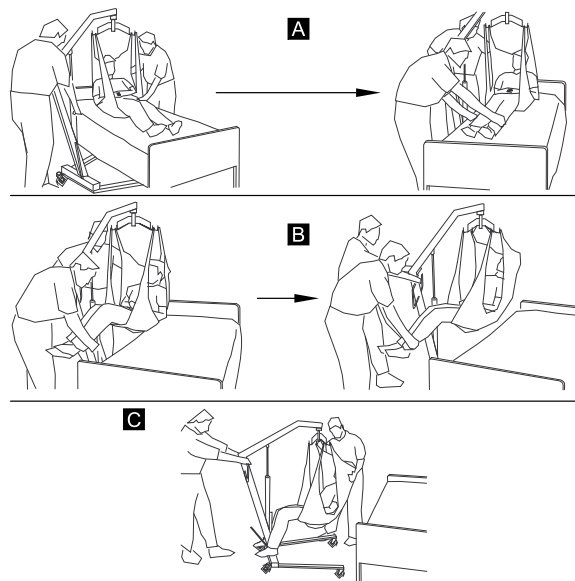
6.1 Élévation sécuritaire, page 81

6.2 Préparatifs pour le soulèvement, page 82


6.3 Installation des toiles du lève-personne, page 84

5.3 Élévation et descente du lève-personne, page 76

- Invacare ne recommande PAS de verrouiller les roulettes arrière du lève-personne pendant le soulèvement d'un patient.
- Invacare recommande de verrouiller les roulettes pivotantes arrière uniquement au moment d'installer le patient dans la toile et de l'en sortir.
- Invacare RECOMMANDE que les roulettes arrière soient déverrouillées lors du soulèvement du patient pour permettre la stabilisation du lève-personne lorsque le patient est soulevé d'une chaise, d'un lit ou d'un objet fixe.



1. Déplacer le lève-personne vers la zone occupée par le patient et préparer le soulèvement. Consulter l'article 6.2 Préparatifs pour le soulèvement, page 82.
2. Accrocher la toile au lève-personne. Consulter l'article 6.3 Installation des toiles du lève-personne, page 84.
3. Soulever suffisamment le patient pour le libérer de l'objet fixe et supporter tout le corps avec le lève-personne. Consulter l'article 5.3 Élévation et descente du lève-personne, page 76.

-  Pour un lève-personne manuel ou hydraulique, la position du bras restera immobile jusqu'à l'ouverture de la soupape de commande. Pour un lève-personne électrique, la position du bras restera immobile jusqu'à ce que le bouton DOWN (vers le bas) (▼) soit enfoncé.



AVERTISSEMENT !

Risque de blessures

Une toile mal installée peut provoquer la chute du patient.

Une toile mal installée peut causer des blessures du patient.

- Les réglages de sécurité et de confort devraient être effectués avant de déplacer le patient.
- Les bras du patient doivent se trouver à l'intérieur des sangles.

4. Avant de déplacer le patient, vérifier à nouveau la toile pour s'assurer qu'elle est fixée correctement aux crochets du cintre. Si l'une des sangles ne semble pas installée correctement, abaisser le patient sur un objet fixe et corriger le problème.
5. Déplacer le lève-personne en utilisant la manette de direction et l'éloigner de l'objet fixe.
6. Tourner le patient en utilisant les poignées de la toile pour que le patient se retrouve face au préposé manoeuvrant le lève-personne (Détail C).
7. Abaisser le patient de manière à ce que ces pieds reposent sur la base du lève-personne et de part et d'autre du mât.



Un centre de gravité plus bas offre une stabilité pour que le patient se sente plus en sécurité et facilite le déplacement du lève-personne.

8. Déplacer le lève-personne en tenant fermement la manette de direction avec les deux mains.



Lire et comprendre les renseignements concernant le transfert vers ou depuis des sortes de surfaces précises AVANT toute utilisation :

- Transfert vers un lit, page 89
- Transfert à partir du sol, page 87
- Transfert pour fauteuil roulant, page 89
- Directives de transfert pour la chaise d'aisance, page 88

9. Élever ou descendre le lève-personne afin de positionner le patient au-dessus d'une surface fixe.



S'assurer de soulever ou abaisser suffisamment le patient afin de libérer les côtés de l'objet fixe.

10. Abaisser le patient sur la surface fixe.
11. Verrouiller les roulettes arrière.
12. Décrocher la toile du cintre.



La toile peut rester sous le patient, si désiré.

13. Déverrouiller les roulettes arrière.
14. Éloigner le lève-personne de la zone.

Transfert à partir du sol


Exécuter les étapes suivantes en plus de celles indiquées à l'article 6.4 Soulèvement et transfert du patient, page 86 lors du transfert vers ou à partir du sol :

1. Déterminer si le patient souffre de blessures provoquées par sa chute. Procéder au transfert si aucun soin médical n'est requis.
2. Positionner la toile sous le patient.




Consulter le manuel de l'utilisateur des toiles du patient, pièce no 1023891 pour obtenir plus d'information au sujet des positionnements de toiles.


- Un préposé doit plier les genoux du patient et soulever sa tête du sol.

 Le préposé doit soutenir la tête du patient avec un oreiller.

- L'autre préposé doit ouvrir les pattes du lève-personne.
- Positionner le lève-personne en plaçant une patte sous la tête du patient et placer l'autre patte sous les genoux pliés du patient.


 Garder les sangles de la toile à l'intérieur des pattes du lève-personne.

- Abaisser le bras de manière à ce que le cintre se trouve directement au-dessus de la poitrine du patient.
- Fixer la toile et procéder au transfert. Consulter l'article 6.4 Soulèvement et transfert du patient, page 86.


 S'assurer que les bras du patient se trouvent à l'intérieur de la toile.

Directives de transfert pour la chaise d'aisance


Exécuter les étapes suivantes en plus de celles indiquées à l'article 6.4 Soulèvement et transfert du patient, page 86 lors du transfert vers ou à partir d'une chaise d'aisance :

 Les toiles équipées d'ouvertures d'aisance sont conçues pour être utilisées avec des chaises d'aisance ou des sièges d'aisance classiques.

- Avant de transférer le patient, le lève-personne doit être guidé vers la salle de bains pour s'assurer que le lève-personne peut être manoeuvré facilement vers la chaise d'aisance.

 Le lève-personne de Invacare n'est PAS un dispositif de transport de longue distance. Si la salle de bains est loin du lit ou si le lève-personne ne peut être facilement manoeuvré près de la chaise d'aisance, le patient DOIT être transféré vers un fauteuil roulant et transporté vers la salle de bains avant d'être positionné sur une chaise d'aisance classique.

- Fixer les toiles au lève-personne. Consulter l'article 6.3 Installation des toiles du lève-personne, page 84.
- Soulever suffisamment le patient pour le libérer des bras de la chaise d'aisance et supporter tout le corps avec le lève-personne. Consulter le 5.3 Élévation et descente du lève-personne, page 76
- Les deux préposés doivent guider le patient vers la chaise d'aisance.
- Abaisser le patient vers la chaise d'aisance en laissant la toile fixée aux crochets du support pivotant.

 Invacare recommande que la toile demeure fixée aux crochets du support pivotant pendant que le patient utilise la chaise d'aisance ou la chaise d'aisance standard.

- Lorsque le patient est prêt, s'assurer à nouveau que la toile est fixée correctement.
- Soulever le patient de la chaise d'aisance.
- Lorsque le patient dégage la chaise d'aisance (à l'aide de la manette de direction), éloigner le lève-personne de la chaise d'aisance.
- Exécuter l'une des procédures suivantes :
 - Retour du patient vers le lit. Inverser les procédures suivantes :
 - 6.4 Soulèvement et transfert du patient, page 86
 - 5.3 Élévation et descente du lève-personne, page 76
 - 6.3 Installation des toiles du lève-personne, page 84

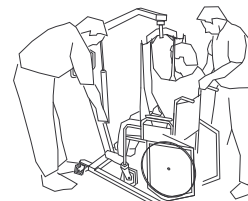
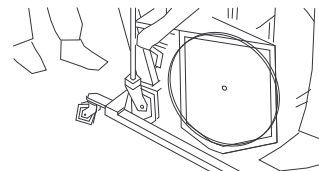
- Retour du patient vers un fauteuil roulant. Consulter l'article Transfert pour fauteuil roulant, page 89.

Transfert vers un lit

Respecter les directives suivantes lors du transfert vers un lit ou depuis un lit :

- Positionner le patient le plus loin possible au centre du lit.
- Si on transfère le patient d'une surface inférieure à celle du lit, appuyer sur le bouton à flèche vers le haut pour soulever le patient au-dessus de la surface du lit. Le patient devrait être soulevé suffisamment du lit pour le sortir du lit et soutenir tout son poids par le lève-personne.
- Lorsque le patient libère la surface du lit, faire pivoter ses pieds hors du lit (Détail B).
- Après le transfert, décrocher la toile des points d'attache du lève-personne et retirer la toile entourant du patient.

Transfert pour fauteuil roulant



**AVERTISSEMENT !****Risque de blessures**

- Avant de transférer un patient, s'assurer que la capacité pondérale du fauteuil roulant peut supporter le poids du patient.
- Le verrouillage des roues du fauteuil roulant **DOIT** être enclenché avant d'abaisser le patient dans le fauteuil roulant aux fins de déplacement.



Ne retirer la toile que si cette dernière comporte des cuissardes.

Exécuter les étapes suivantes en plus de celles indiquées à l'article 6.4 Soulèvement et transfert du patient, page 86 lors du transfert vers ou à partir d'un fauteuil roulant :

1. Enclencher les verrous des roues du fauteuil roulant pour éviter tout mouvement de la chaise.
2. Positionner le patient au-dessus du siège et son dos contre le dossier de la chaise.
3. Commencer à abaisser le patient en utilisant la soupape de commande ou en appuyant sur le bouton DOWN (descente) (↓).
4. Un préposé se place derrière le fauteuil et l'autre préposé manoeuvre le lève-personne. Le préposé derrière le fauteuil tire la poignée (sur certains modèles) ou les côtés de la toile pour asseoir correctement le patient dans le fauteuil roulant. Ceci assurera un bon équilibre et évitera que la chaise bascule vers l'avant.



Utiliser les sangles ou les poignées latérales et la partie arrière de la toile pour guider les hanches du patient le plus loin possible dans la chaise pour assurer un bon positionnement.

5. La toile doit demeurer en place.

7 Dépannage

7.1 Tableau de dépannage

SYMPTÔMES	DÉFECTUOSITÉS	SOLUTION
Le lève-personne ne semble instable.	Les joints du mât/de la base sont desserrés.	Consulter l'article 4.2 Installation du mât sur la base, page 67.
	Les tirants sont desserrés.	Consulter l'article 8.13 Entretien et alignement de la base, page 102
Roulettes/freins bruyants ou difficiles à manoeuvrer.	Résidus ou débris dans les engrenages.	Consulter les articles 8.15 Remplacement des roulettes avant, page 103 et 8.14 Remplacement des roulettes arrière, page 103
Pivots bruyants ou grinçants.	Une lubrification est requise.	Consulter l'article 8.3 Lubrification du lève-personne, page 96.
Fuite d'huile des parties hydrauliques.	La pompe hydraulique doit être remplacée.	Consulter l'article 8.7 Remplacement de pompe manuelle et hydraulique, page 97. Communiquer avec le détaillant.
Le lève-personne ne se hisse pas lors du pompage manuel ou hydraulique.	Fermeture insuffisante de la soupape de commande.	Fermer la soupape de commande.
	La pompe hydraulique doit être remplacée.	Consulter l'article 8.7 Remplacement de pompe manuelle et hydraulique, page 97. Communiquer avec le détaillant.
		Vérifier les raccords.
	La soupape de commande est peut-être dérégulée.	Consulter l'article 8.8 Réglage de la soupape de commande de la pompe, page 98.

SYMPTÔMES	DÉFECTUOSITÉS	SOLUTION
L'actionneur électrique refuse le hisser ou les pattes ne s'ouvrent pas lorsque l'on appuie sur le bouton.	Les connecteurs de la commande manuelle ou de l'actionneur sont desserrés.	Brancher le connecteur de la télécommande ou de l'actionneur. S'assurer que les connecteurs sont enfoncés et branchés correctement.
	La pile est faible.	Charger les piles. Consulter l'article 5.7 Charge de la pile, page 80.
	Le bouton d'arrêt d'urgence ROUGE est ENFONCÉ.	Tourner le bouton d'arrêt d'urgence ROUGE vers la droite jusqu'à ce qu'il ressorte.
	La pile n'est pas raccordée correctement à la boîte de commande.	Rebrancher la pile à la boîte de commande Consulter l'article 5.7 Charge de la pile, page 80.
	Les bornes de connexion sont endommagées.	Remplacer le bloc-piles. Consulter l'article 5.7 Charge de la pile, page 80.
	Le bras ou l'actionneur de pattes requiert une réparation ou la charge est trop lourde.	Consulter l'article 8.9 Remplacement de l'actionneur électrique, page 99 ou 8.10 Remplacement de l'actionneur de pattes, page 100 Communiquer avec le détaillant.
L'actionneur émet un bruit inhabituel.	L'actionneur est usé ou endommagé ou l'axe est courbé.	Consulter l'article 8.7 Remplacement de pompe manuelle et hydraulique, page 97 8.9 Remplacement de l'actionneur électrique, page 99 ou 8.10 Remplacement de l'actionneur de pattes, page 100 Communiquer avec le détaillant.
Le bras n'atteint pas la position supérieure maximale.	Le bras du lève-personne requiert une charge minimale pour s'abaisser à partir de la position supérieure.	Appuyer légèrement sur le bras.

SYMPTÔMES	DÉFECTUOSITÉS	SOLUTION
Le bras du lève-personne ne s'abaisse pas lors de l'escamotage.	Le boulon à épaulement situé à la jonction du bras et du mât est peut-être mal fixé.	Consulter l'article 8.11 Vérification et serrage de l'axe de pivot du mât, page 101
La pompe hydraulique se déphase lors d'une charge partielle.	La soupape de commande est peut-être dérégulée.	Consulter l'article 8.8 Réglage de la soupape de commande de la pompe, page 98.



Si les problèmes persistent à la suite des actions suggérées, communiquer avec votre détaillant ou Invacare.

8 Entretien

8.1 Entretien de sécurité



AVERTISSEMENT !

Risque de chute

L'entretien DOIT être fait uniquement par un technicien qualifié.

Un assemblage incorrect peut causer des blessures ou des dommages.

- L'entretien régulier des lève-personnes et des accessoires est nécessaire afin d'assurer un bon fonctionnement.
- Cette pompe a été scellée en usine. **NE PAS** tenter d'ouvrir la pompe pour éviter l'annulation de la garantie et éviter les dommages et les réparations coûteuses. Communiquer plutôt avec technicien local pour faire réparer le bris. Consulter votre détaillant ou écrire à Invacare afin d'obtenir plus d'information.
- **NE PAS** serrer excessivement la quincaillerie de montage. Un serrement excessif endommagera le support de fixation.

8.2 Liste de vérifications de sécurité et d'entretien



Un nettoyage régulier permettra de révéler les pièces mal vissées ou usées, à favoriser le bon fonctionnement et à augmenter la durée de vie utile du lève-personne.

Respecter les procédures d'entretien décrites dans ce manuel afin d'assurer le fonctionnement continu du lève-personne.

Le lève-personne de Invacare est conçu pour offrir un service sécuritaire et efficace maximum tout en demandant peu d'entretien ou de réparations.

Toutes les pièces du lève-personne de Invacare sont fabriquées avec un acier de première qualité. Toutefois, le frottement métal contre métal pourra provoquer l'usure des pièces au fil du temps.

Aucun réglage ou entretien des roulettes ou des freins autres que le nettoyage, la lubrification et la vérification de serrage des boulons de l'axe et des pivots n'est nécessaire. Retirer tous les débris, etc. de la roulette et du système de pivotement. Remplacer IMMÉDIATEMENT toute pièce usée.

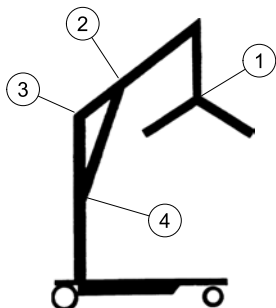
En cas de doute au sujet de la sécurité de toute pièce du lève-personne, communiquer immédiatement avec votre détaillant pour discuter du problème.

Les éléments suivants de la liste de vérifications doivent être d'abord vérifiés en respectant les intervalles suivants :

- USAGE INSTITUTIONNEL - Mensuellement et avant chaque nouvel utilisateur
- USAGE DOMESTIQUE - Tous les six mois

Date d'inspection :		Paraphes :
ROULETTES DE LA BASE <ul style="list-style-type: none"> <input type="checkbox"/> S'assurer de la présence de toute la quincaillerie. <input type="checkbox"/> Ouverture et fermeture facile de la base. <input type="checkbox"/> Inspecter les roulettes et s'assurer que les boulons d'axe sont serrés fermement. <input type="checkbox"/> S'assurer que les roulettes pivotent et tournent librement. <input type="checkbox"/> Inspecter les roulettes et déloger les débris. <input type="checkbox"/> Inspecter l'usure des joints pivotants. 	MÂT <ul style="list-style-type: none"> <input type="checkbox"/> Le mât DOIT être fixé fermement sur le bras. <input type="checkbox"/> Rechercher les pliures ou les inclinaisons. <input type="checkbox"/> Inspecter l'usure des joints pivotants. 	CINTRE <ul style="list-style-type: none"> <input type="checkbox"/> Vérifier l'usure et l'intégrité du boulon et des crochets. <input type="checkbox"/> S'assurer de l'intégrité des crochets de la toile et qu'ils ne sont pas pliés. <input type="checkbox"/> Inspecter l'usure des joints pivotants. <input type="checkbox"/> Vérifier la présence et le bon fonctionnement des dispositifs de retenue des sangles.
TOILES ET QUINCAILLERIE <ul style="list-style-type: none"> <input type="checkbox"/> VÉRIFIER TOUTES LES FIXATIONS DE LA TOILE avant chaque utilisation et s'assurer qu'elles sont fonctionnelles et sécuritaires pour le patient. <input type="checkbox"/> Inspecter l'usure du matériau de la toile. <input type="checkbox"/> Inspecter l'usure des sangles. 	BRAS <ul style="list-style-type: none"> <input type="checkbox"/> Vérifier toute la quincaillerie et les supports du cintre. <input type="checkbox"/> Rechercher les pliures ou les inclinaisons. <input type="checkbox"/> Inspecter l'usure des boulons de joints du bras. <input type="checkbox"/> Inspecter et s'assurer que le bras se situe au centre des pattes de la base. <input type="checkbox"/> Vérifier le boulon du pivot du mât. S'assurer que le boulon est serré fermement. <input type="checkbox"/> Inspecter l'usure des joints pivotants. 	ASSEMBLAGE DE L'ACTIONNEUR DE POMPE MANUELLE/HYDRAULIQUE/ÉLECTRIQUE <ul style="list-style-type: none"> <input type="checkbox"/> Vérifier la présence de fuites. <input type="checkbox"/> Inspecter la quincaillerie du mât, du bras et de la base. <input type="checkbox"/> Vérifier l'usure et la détérioration. (RETOURNER EN USINE SI ENDOMMAGÉ) <input type="checkbox"/> Exécuter un cycle complet pour assurer le bon fonctionnement silencieux de l'actionneur électrique. <input type="checkbox"/> Vérifier le bon fonctionnement silencieux de la poignée de pompe.
POIGNÉE DE L'EMBRAYEUR <ul style="list-style-type: none"> <input type="checkbox"/> La poignée tourne librement. <input type="checkbox"/> Efficacité d'immobilisation des verrous de la base. 	SOUPAPE DE COMMANDE <ul style="list-style-type: none"> <input type="checkbox"/> Ouverture et fermeture facile. 	NETTOYAGE <ul style="list-style-type: none"> <input type="checkbox"/> Au besoin.

8.3 Lubrification du lève-personne



Le lève-personne de Invacare est conçu pour un entretien minimal. Toutefois, la vérification et la lubrification tous les six (6) mois assurent une sécurité et une fiabilité continues.

Maintenir le lève-personne et les toiles propres et en bon état de fonctionnement et d'utilisation. Toute défectuosité doit être signalée au détaillant dans les plus brefs délais.

Consulter l'illustration pour voir les points de lubrification. Lubrifier tous les points du pivot avec une graisse légère (imperméable et pénétrante) Essuyer tout excès de lubrifiant de la surface du lève-personne.

1. Support pivotant
2. Support de fixation du bras
3. Montage du bras et du mât
4. Support de fixation du mât

8.4 Détection de l'usure et des dommages

Il est essentiel d'examiner toutes les pièces contraintes comme les toiles, le cintre et tout pivot de lève-personne pour déceler les signes de fissures, d'effilochage, de déformation ou de détérioration.

Remplacer immédiatement toute pièce défectueuse et s'assurer que le lève-personne n'est pas utilisé jusqu'à ce qu'il soit réparé.

8.5 Nettoyage de la toile et du lève-personne

Le lève-personne doit être lavé périodiquement à l'eau dont la température ne dépasse pas 82 °C (180 °F) avec une solution biocide (antibiologique). Le nettoyage du lève-personne n'exige qu'un chiffon doux humecté d'eau et une petite quantité de savon doux. Le lève-personne peut être nettoyé avec des nettoyeurs non abrasifs.

8.6 Entretien de la pompe manuelle et hydraulique

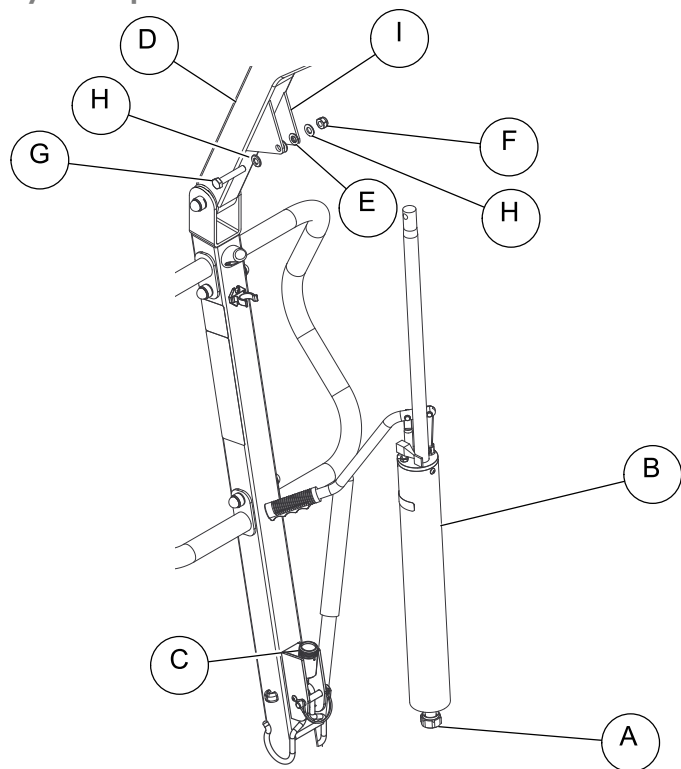
Toutes les pièces de la pompe manuelle ou hydraulique sont machinées avec précision puis assemblées soigneusement et mises à l'essai afin d'assurer un service fiable. L'assemblage de la pompe est complètement fermé et scellé avec des joints de néoprène afin de prévenir les fuites d'huile hydraulique. Une petite quantité d'huile (environ une goutte) s'accumulera autour du piston de temps à autre et elle doit être essuyée avec un mouchoir de papier.



AVERTISSEMENT !

– Cette pompe a été scellée en usine. **NE PAS** tenter d'ouvrir la pompe pour éviter l'annulation de la garantie et éviter les dommages et les réparations coûteuses. Communiquer plutôt avec technicien local pour faire réparer le bris. Consulter votre détaillant ou écrire à Invacare afin d'obtenir plus d'information.

8.7 Remplacement de pompe manuelle et hydraulique



ATTENTION !

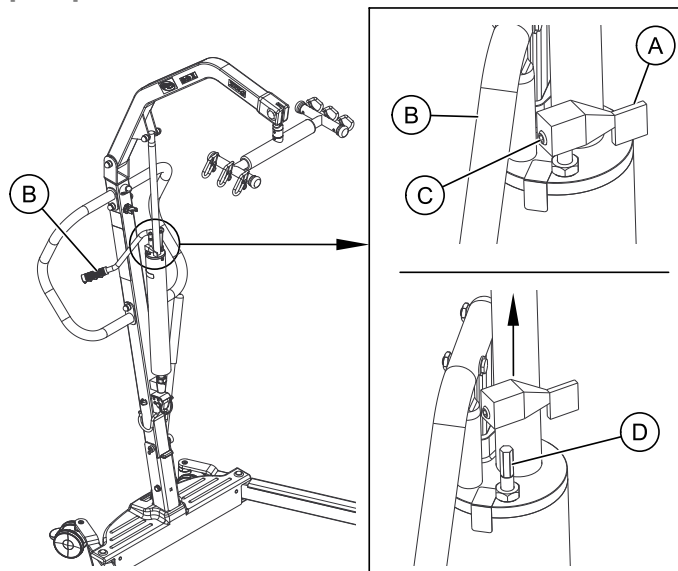
Risque de dommages

Un assemblage incorrect peut causer des blessures ou des dommages.

– NE PAS serrer excessivement la quincaillerie de montage. Un serrement excessif endommagera le support de fixation.

1. Dévisser l'écrou **A** sécurisant la sphère de la pompe **B** à la douille de montage **C**.
2. Faire reposer le bras **D** sur l'épaule et retirer l'écrou **F**, le boulon **G**, la rondelle de nylon **E**, les rondelles **H** et le support de fixation du bras **I**.
3. Retirer la pompe.
4. Inverser les étapes pour installer.

8.8 Réglage de la soupape de commande de la pompe



1. Tourner la soupape de commande (A) afin de dégager la poignée de pompe (B) lorsque cette dernière est complètement escamotée.
2. Dévisser la vis de réglage (C) sur quelques tours.
3. Retirer le levier de la soupape de commande.
4. Serrer la tige de réglage à la main (D) en tournant vers la droite.
5. Réinstaller le levier de la soupape de commande.
6. Positionner le levier de manière à dégager la poignée lorsque cette dernière est complètement escamotée.
7. Serrer la vis de réglage.
8. Faire l'essai de la pompe hydraulique avec une charge.



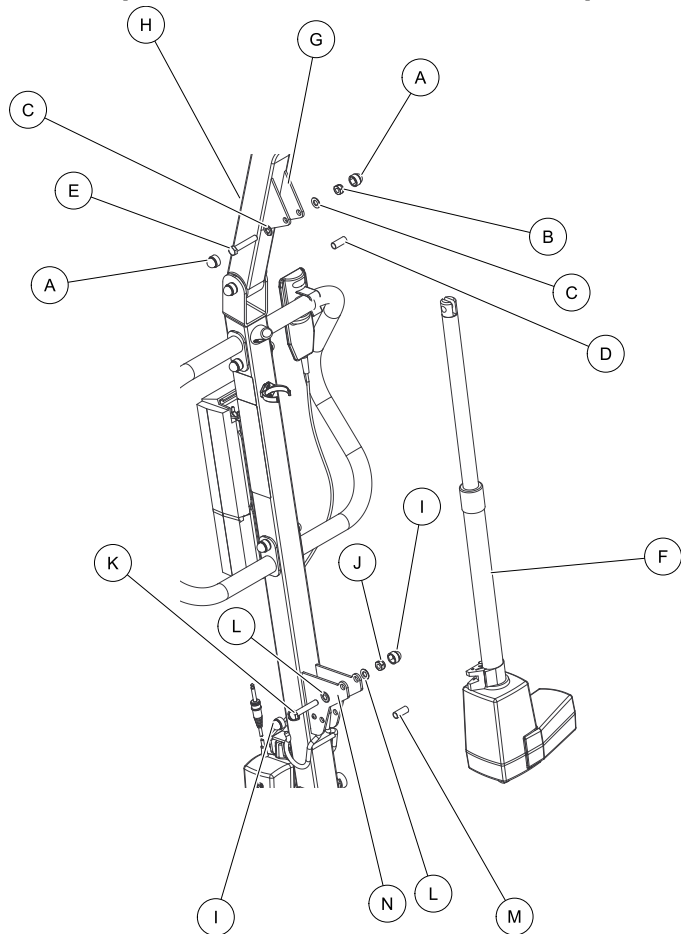
AVERTISSEMENT !

– Toujours sortir le patient du lève-personne avant d'effectuer cette procédure. **NE PAS** exécuter ce réglage pendant que l'on soulève un patient. Des blessures graves peuvent survenir.



Cette procédure ne concerne que les modèles ILIFTHM.

8.9 Remplacement de l'actionneur électrique



1. Retirer les capuchons **A**, l'écrou **B**, les rondelles **C**, la bague de palier **D** et le boulon à épaulement **E** sécurisant l'actionneur **F** au support de fixation du bras **G**.
2. Faire reposer le bras **H** sur l'épaule gauche et retirer les capuchons **I**, l'écrou **J**, le boulon **K**, les rondelles **L** et la bague de palier **M** du support de fixation du mât **N**.
3. Retirer l'actionneur électrique.
4. Inverser les ÉTAPES 1 à 3 pour l'installation.



ATTENTION !

Risque de dommages

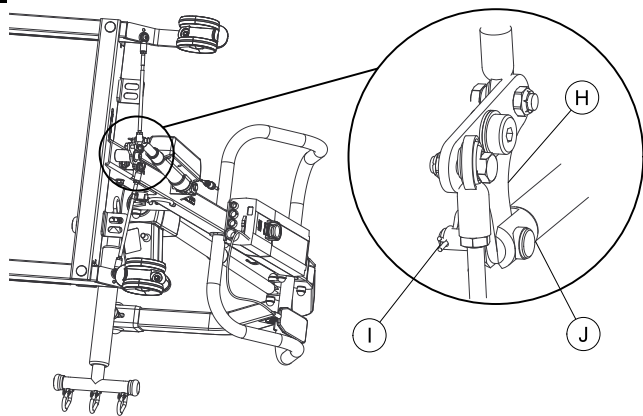
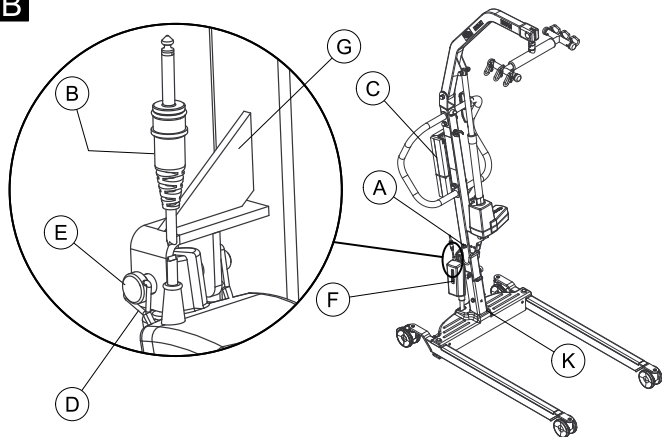
Un assemblage incorrect peut causer des blessures ou des dommages.

- NE PAS serrer excessivement la quincaillerie de montage. Un serrement excessif endommagera le support de fixation.



S'assurer que le boulon ou la clavette traverse complètement les trous du support de fixation de l'assemblage du bras et l'assemblage de l'actionneur. L'assemblage du bras pivotera facilement si la quincaillerie de fixation est alignée correctement lorsque le bras est sécurisé au mât.

8.10 Remplacement de l'actionneur de pattes

A

B


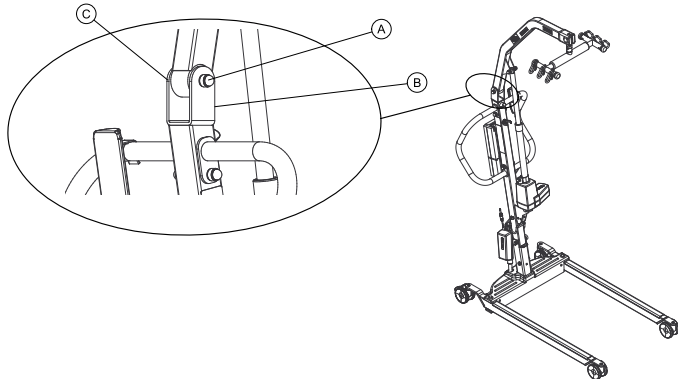
1. Retirer le fil à freiner ① sécurisant le câble de l'actionneur de pattes au mât.
2. Débrancher le câble de l'actionneur de patte ② de la partie inférieure de la boîte de commande ③.
3. Retirer les goupilles d'attelage ④ sécurisant la clavette ⑤ à l'actionneur de pattes ⑥ au support du mât ⑧.
4. Retirer la clavette de l'actionneur de pattes et du support du mât.
5. Exécuter les étapes suivantes pour retirer l'actionneur de pattes du support de pivot ⑨ (Détail A) :


AVERTISSEMENT !
Risque de blessures

Des blessures peuvent survenir pour les préposés et des dommages au lève-personne peuvent survenir.
 – S'assurer d'un espace suffisant pour coucher le lève-personne sur le côté et que le sol est libre de débris.

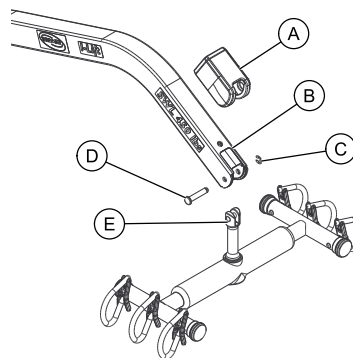
- a. Coucher le lève-personne sur le côté.
 - b. Retirer la goupille d'attelage ① sécurisant la clavette ① au support de pivot.
 - c. Retirer la clavette de l'actionneur de pattes et du pivot du mât.
 - d. Redresser le lève-personne à la verticale.
6. Glisser l'actionneur de pattes hors de la fente ⑫ située à la base du lève-personne (Détail B).
 7. Inverser les ÉTAPES 1 à 5 pour installer l'actionneur de pattes.
- i** Positionner l'actionneur de pattes dans le support du mât et déplacer les pattes afin d'aligner les trous de l'actionneur de pattes avec les trous du support du mât.

8.11 Vérification et serrage de l'axe de pivot du mât



1. S'assurer que le boulon **A** traverse le support de fixation **B** et que le contre-écrou **C** est vissé fermement.
2. Au besoin, procéder à l'une ou plusieurs des étapes suivantes :
 - Serrer le contre-écrou et dévisser le contre-écrou sur un huitième (1/8) de tour.
 - Remplacer le contre-écrou.

8.12 Remplacement du support pivotant



AVERTISSEMENT ! **Risque de blessures**

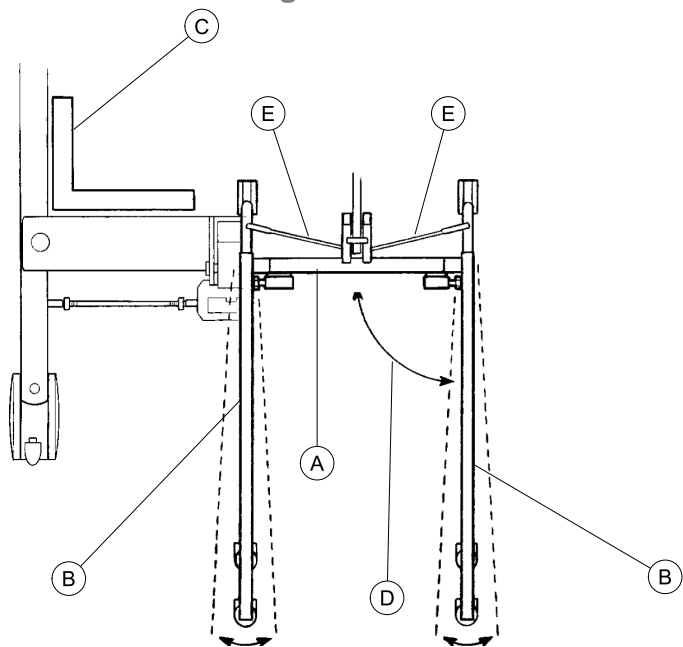
Des pièces usées ou endommagées du lève-personne peuvent causer des blessures au patient et aux préposés.
– Après la première année d'utilisation, les crochets du cintre et les supports de fixation du bras doivent être inspectés tous les six mois afin de déterminer la progression de l'usure. Remplacer toutes pièces usées.



Si un pèse-personne est installé sur le lève-personne, consulter l'article 9.3 Installation du pèse-personne, page 105 pour connaître la méthode de remplacement du cintre.

1. Retirer le capuchon de caoutchouc **A** du bras **B**.
2. Retirer la pince **C** et l'axe d'articulation **D** sécurisant la clavette du cintre **E** au bras.
3. Inverser les ÉTAPES 1 et 2 pour installer le cintre neuf.

8.13 Entretien et alignement de la base



Un entretien de la base (A) ne devrait pas susciter l'attention sauf pour l'ajustement de la tringlerie.



ATTENTION !

Le lève-personne peut s'endommager.
– L'actionneur de pattes doit être complètement ouvert avant de faire l'ajustement de la tringlerie.

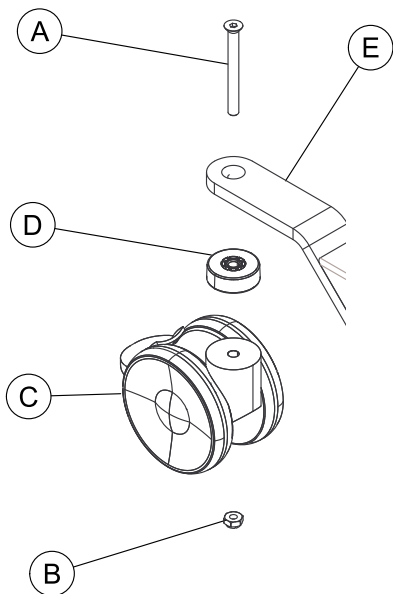
1. Fermer complètement les pattes. Consulter le chapitre Ouverture et fermeture manuelle des pattes, page 74 ou Ouverture et fermeture électrique des pattes, page 75.
2. Vérifier la perpendicularité des pattes (B) lorsque ces dernières sont en position fermée.
3. Placer une équerre (C) à l'intérieur des pattes et de la base afin de déterminer un angle d'alignement de 90° (D).
4. Ajuster la tringlerie (E) jusqu'à ce que l'angle de 90° soit atteint.



ATTENTION !

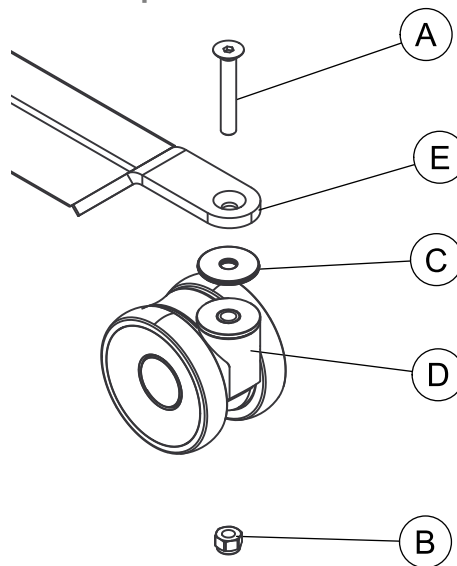
Le lève-personne peut s'endommager.
– NE PAS ajuster la tringlerie de manière à ce que les pattes aient un angle d'alignement inférieur à 90°.

8.14 Remplacement des roulettes arrière



1. Coucher le lève-personne sur le côté.
2. Retirer le boulon **A** et l'écrou freiné **B** sécurisant l'assemblage de roulette arrière installée **D** et le palier **D** au support de roulette arrière **E**.
3. Insérer le boulon par le support de roulette arrière, le palier et la roulette arrière neuve et serrer fermement avec l'écrou freiné.

8.15 Remplacement des roulettes avant



1. Coucher le lève-personne sur le côté.
2. Retirer le boulon **A**, le palier **C** et l'écrou freiné **B** sécurisant l'assemblage de roulette avant installée **D** au support de roulette avant **E**.
3. Insérer le boulon par le support de roulette avant et dans l'assemblage de roulette avant neuf et serrer fermement avec l'écrou freiné.

9 Pèse-personne

9.1 Introduction au pèse-personne

Le pèse-personne I-Lift est un système compact de mesure précise conçu spécifiquement pour le système de lève-personne de Invacare.

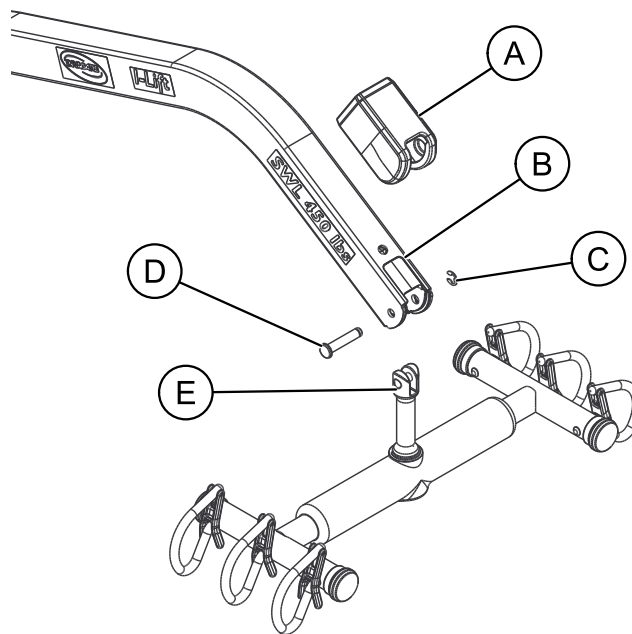


AVERTISSEMENT !

NE PAS installer cet équipement sans avoir lu et compris ces instructions. Communiquer avec un professionnel de la santé, un détaillant ou un technicien qualifié si vous ne comprenez pas les avertissements, mises en garde et instructions avant toute tentative d'installation de cet équipement pour éviter tout risque de blessures ou de dommages.

– Le patient ne doit pas être installé dans la toile et la toile doit être retirée du lève-personne pendant TOUTES les procédures d'installations.

9.2 Retrait du support pivotant

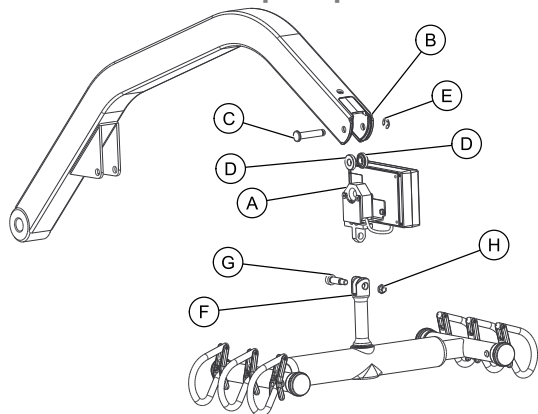


1. Retirer le capuchon de caoutchouc (A) du bras (B).
2. Retirer la pince (C) et l'axe d'articulation (D) sécurisant la clavette du cintre (E) au bras.



Conservier la pince et l'axe d'articulation pour sécuriser le pèse-personne I-Lift au bras.

9.3 Installation du pèse-personne



1. Retirer le cintre. Consulter l'article 9.2 Retrait du support pivotant, page 104
2. Positionner l'assemblage de cellule de charge **A** du pèse-personne sur le support de fixation du bras **B**.
3. Sécuriser le pèse-personne au support de fixation du bras avec l'axe d'articulation **C**, les deux entretoises **D** et la pince **E**.
4. Sécuriser le cintre **F** au pèse-personne avec le boulon à épaulement **G** et l'écrou freiné **H**.
5. Peser le patient. Consulter l'article 9.5 Pesée du patient, page 107

9.4 Usage du pèse-personne



Fonctions du clavier

Touche	Affichage de l'indicateur	Emplacement de l'indicateur	Définition
ON (sous tension) OFF (hors tension)	OFF (hors tension)	Centre de l'afficheur	Appuyer sur cette touche pour mettre le pèse-personne sous tension. Quand le pèse-personne déjà sous tension, il suffit d'appuyer sur cette touche pour l'éteindre.
ZERO	ZERO	Coin inférieur gauche de l'afficheur	Appuyer sur cette touche lorsque le pèse-personne est sous tension pour réinitialiser le poids indiqué sur l'afficheur.
UNITS (unités)	lb ou kg	Coin supérieur droit de l'afficheur	Cette touche permet de basculer entre les unités de mesure du poids, soit livres (lb) et kilogrammes (kg).


Touche	Affichage de l'indicateur	Emplacement de l'indicateur	Définition
LOCK (verrouillage) UNLOCK (déverrouillage)	LOCK (verrouillage)	Coin inférieur droit de l'afficheur	Cette touche permet de verrouiller ou de déverrouiller une mesure du poids à l'afficheur. REMARQUE : Lorsque la touche est en position de verrouillage, le poids affiché est le poids MÉMORISÉ et non le poids actuel.
S.O.	LO BAT (pile faible)	Centre de l'afficheur	Un indicateur apparaît sur l'afficheur lorsque la pile est faible.


9.5 Pesée du patient



AVERTISSEMENT !


– La capacité pondérale est limitée à la caractéristique nominale de capacité la plus faible parmi les composants utilisés (comme le lève-personne, la toile ou le pèse-personne). Le poids du patient ne **DOIT PAS** excéder le poids maximum de tout composant.

- Fixer les sangles de la toile au cintre. Pour les instructions de fixation, consulter l'article 6.3 Installation des toiles du lève-personne, page 84.
 -  La fixation de toutes les sangles aux crochets du modèle I-Lift des deux côtés du cintre permet une plus grande précision. Toutefois, il se peut que le confort du patient exige une configuration de sangles de la toile différente.
- Appuyer sur la touche ON/OFF (marche/arrêt).


 Le dernier poids mesuré sera indiqué sur l'afficheur. Le mot « LOCK » (verrouiller) sera indiqué sur l'afficheur.

Appuyer sur la touche ZERO pour éviter la mesure de poids de la toile et de la quincaillerie. Si la touche ZERO n'est pas enfoncée, le poids de la toile et de la quincaillerie seront pesés et inclus dans le poids affiché. Si cette touche de réinitialisation n'est pas enfoncée, la lecture du poids réel du patient sera erronée.

- Appuyer sur la touche ZERO. Lorsque l'on appuie sur la touche ZERO, les fonctions suivantes sont activées :
 - a. Le pèse-personne se réinitialise et le mot « ZERO » apparaît sur l'afficheur.
 - b. La fonction de verrouillage s'arrête et le mot « LOCK » (verrouiller) disparaît de l'afficheur.


 Le pèse-personne est maintenant actif et actualise continuellement le poids.
- Installer le patient dans la toile.
- Accrocher la toile au lève-personne. Consulter l'article 6.3 Installation des toiles du lève-personne, page 84.

6. Activer le mécanisme du lève-personne pour soulever le patient jusqu'à ce qu'il soit entièrement soutenu par le lève-personne. Consulter l'article 6.4 Soulèvement et transfert du patient, page 86 pour connaître les instructions de soulèvement du patient.
7. Noter l'affichage du poids.
8. Lorsque l'affichage du poids est stable, appuyer sur la touche « LOCK » pour verrouiller l'affichage du poids. Ceci est indiqué par l'affichage du mot « LOCK » (verrouiller) sur l'afficheur.

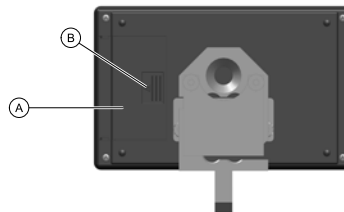
 Si le poids doit être déverrouillé lorsque le patient est soutenu par le lève-personne, il est possible d'appuyer sur la touche UNLOCK (déverrouiller). Le poids est déverrouillé et le mot « LOCK » (verrouiller) disparaîtra de l'afficheur. La valeur du poids est ensuite actualisée. Dès que le poids est stable, il peut être verrouillé de nouveau en appuyant sur la touche « LOCK » (verrouiller).


Un poids stable est défini par une variation de deux dixièmes (2/10) de livre (ou incrément de 0,2 g). Par exemple, si un patient pèse 45,3 kg (100 lb), le pèse-personne varie de 99,8 à 100,2 (45,2 à 45,4 g) jusqu'à ce qu'on appuie sur le bouton LOCK (verrouiller). Une telle fluctuation est normale. Appuyer sur la touche LOCK pour verrouiller le poids.

9. Le lève-personne peut être descendu et la toile peut être retirée du patient.

 Le poids du patient sera toujours visible sur l'afficheur. L'afficheur s'éteindra automatiquement après une période de deux minutes de non-utilisation (aucun changement de poids n'excédant pas 2,3 kg [5 lb]). Le délai d'arrêt automatique n'est PAS modifiable. Quand l'afficheur est éteint, le poids peut être affiché de nouveau en appuyant sur la touche ON/OFF (marche/arrêt). L'appareil peut être éteint en appuyant une deuxième fois sur la touche ON/OFF (marche/arrêt).

9.6 Remplacement de la pile

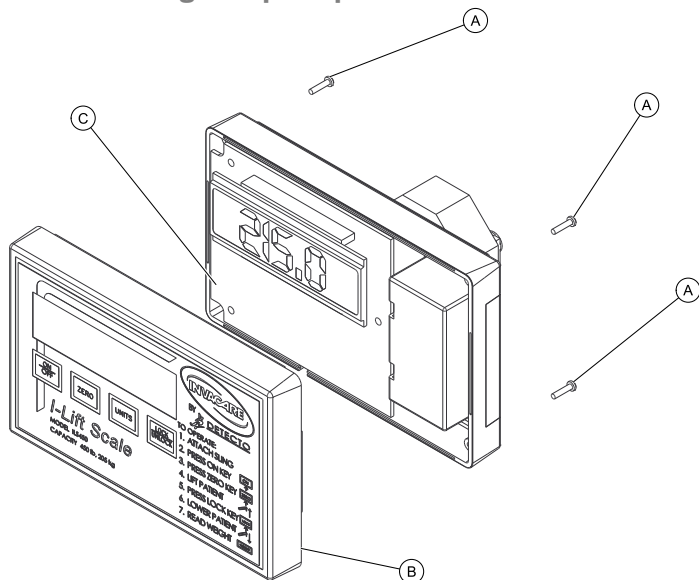


 Le pèse-personne est alimenté par une pile alcaline de 9 V qui devrait permettre environ 1 500 lectures avant qu'il soit nécessaire de la remplacer.

Lorsque la pile doit être remplacée, l'indicateur de pile faible apparaîtra sur l'afficheur. Procéder comme suit :

1. Faire glisser le couvercle de la pile **A** dans le sens de la flèche **B**.
2. Retirer la pile installée.
3. Installer une pile fraîche.
4. Refermer le couvercle de la pile.

9.7 Étalonnage du pèse-personne



i Le pèse-personne I-Lift est étalonné en usine à l'aide d'un dynamomètre de pression. Suivre les instructions ci-dessous si le pèse-personne doit être étalonné à nouveau :

1. Le patient et la toile **DOIVENT** être retirés du pèse-personne I-Lift afin que ce dernier puisse être étalonné correctement. Consulter le chapitre 6.4 Soulèvement et transfert du patient,

page 86 pour connaître la méthode de sortie du patient du lève-personne.

2. Mettre le pèse-personne I-Lift sous tension, retirer les quatre vis **A** derrière le boîtier et retirer le capuchon avant **B** pour accéder à la carte de circuits imprimés **C**.
3. Appuyer sur le bouton CAL situé sur la carte de circuits imprimés. Le bouton CAL n'est pas identifié, mais il s'agit du seul bouton situé au coin inférieur droit de la carte de circuits imprimés. Après avoir appuyé sur le bouton CAL, « CAL1 » s'affichera à l'écran.


i CAL1 sélectionne le mode d'étalonnage avec un étalon de 22,65 kg (50 lb). CAL2 sélectionne le mode d'étalonnage avec un étalon de 90,60 kg (200 lb). Basculer entre CAL1 et CAL2 en appuyant sur le bouton UNITS (unités).

4. Lorsque le mode d'étalonnage désiré est affiché, appuyer sur la touche LOCK/UNLOCK (verrouiller/déverrouiller).

i L'afficheur indique maintenant UnLd (vide).


5. S'assurer qu'il n'y a aucune charge sur le pèse-personne et appuyer sur la touche ZERO.
6. L'afficheur indique une ligne pointillée (-----) se déplaçant sur l'afficheur et le mot « LOAD » (charge) apparaîtra.
7. Exécuter l'une des procédures suivantes :
 - a. OPTION CAL1 - Soutenir l'étalon de 22,65 kg (50 lb) à l'aide du pèse-personne et appuyer sur la touche ZERO.
 - b. OPTION CAL2 - Soutenir l'étalon de 90,60 kg (200 lb) à l'aide du pèse-personne et appuyer sur la touche ZERO.
8. L'afficheur indique une ligne pointillée (-----) se déplaçant sur l'écran et le mot « DONE » (terminé) apparaîtra.

9. Retirer l'étalon du pèse-personne et appuyer sur la touche LOCK/UNLOCK (verrouiller/déverrouiller).

 L'unité est maintenant en mode d'essai temporaire et n'indiquera pas le poids déterminé à l'écran. Ceci permet de charger ou retirer l'étalon pour vérifier l'étalonnage.

10. Éteindre l'appareil en appuyant sur la touche ON/OFF (marche/arrêt).



11. Mettre l'appareil en marche appuyant sur la touche ON/OFF (marche-arrêt).

 Le pèse-personne est maintenant en mode de fonctionnement normal.

9.8 Dépannage

SYMPTÔME	CAUSE PROBABLE	SOLUTIONS
L'appareil NE fonctionne PAS correctement.	Pile défectueuse.	Vérifier la pile. Remplacer au besoin.
La pile a été remplacée et l'appareil NE fonctionne toujours PAS correctement.		Communiquer avec Invacare au 1-800-333-6900 pour faire réparer

Codes d'affichage

	CALIBRATION REQUIRED (ÉTALONNAGE REQUIS) - Indique que les données d'étalonnage sauvegardées sont erronées; un étalonnage est requis.
	OVER CAPACITY (SURCAPACITÉ) - Indique qu'un poids dépassant la capacité pondérale a été déposé sur le pèse-personne.

10 Garantie

10.1 Garantie limitée - Amérique du Nord



VEUILLEZ NOTER QUE : LA GARANTIE CI-DESSOUS A ÉTÉ RÉDIGÉE AFIN DE RESPECTER LA LOI FÉDÉRALE APPLICABLE AUX PRODUITS FABRIQUÉS APRÈS LE 4 JUILLET 1975.

Cette garantie ne couvre que le premier acheteur ou utilisation de nos produits.

Cette garantie vous donne des droits légaux spécifiques et vous pouvez jouir d'autres droits qui varient d'une province à l'autre.

Invacare garantit les produits fabriqués contre tout défaut de matériau et de fabrication pour une période de trois ans pour lève-personne et d'un an pour les toiles, la pompe hydraulique et les composants électriques à compter de la date d'achat. Si, au cours de la période de garantie, un tel produit est jugé défectueux, ce produit sera réparé ou remplacé à la discrétion de Invacare. Cette garantie ne comprend pas la main d'œuvre ou les frais d'expédition encourus pour l'installation de pièces de rechange ou la réparation dudit produit. La seule obligation de Invacare et votre unique recours au titre de cette garantie est limitée à une telle réparation ou à son remplacement.

Pour le service au titre de la garantie, communiquer avec le détaillant chez qui vous avez acheté le produit Invacare. Advenant que vous ne soyez pas entièrement satisfait de la garantie, écrivez directement à Invacare à l'adresse au dos de l'emballage en prenant bien soin d'indiquer le nom du distributeur, son adresse, la date d'achat ainsi que la nature du défaut constaté.

Invacare Corporation émettra une autorisation de retour avec numéro de série. L'unité ou la pièce défectueuse DOIT être retournée pour une inspection de garantie et doit renfermer son numéro de série, le cas échéant, aux fins d'identification dans les trente jours suivants la date d'autorisation du retour. NE PAS retourner de produit à notre usine sans

1171892-A

autorisation préalable. Les livraisons contre remboursement ne seront pas acceptées; veuillez donc payer les frais d'expédition.

LIMITES ET EXCLUSIONS : LA GARANTIE SUSMENTIONNÉE NE S'APPLIQUE PAS AUX PRODUITS DONT LE NUMÉRO DE SÉRIE A ÉTÉ RETIRÉ OU MODIFIÉ; AUX PRODUITS QUI ONT FAIT L'OBJET DE NÉGLIGENCE OU D'ACCIDENT, D'UNE MAUVAISE UTILISATION, D'UN MAUVAIS ENTRETIEN OU D'UN MAUVAIS ENTREPOSAGE; AUX PRODUITS MODIFIÉS SANS L'ACCORD ÉCRIT DE INVACARE, Y COMPRIS, SANS S'Y LIMITER, LA MODIFICATION AU MOYEN DE PIÈCES OU DE RALLONGES NON AUTORISÉES; AUX PRODUITS ENDOMMAGÉS À LA SUITE DE RÉPARATIONS DE TOUS COMPOSANTS SANS L'ACCORD EXPLICITE DE INVACARE; AUX PRODUITS ENDOMMAGÉS DANS DES CIRCONSTANCES HORS DU CONTRÔLE DE INVACARE. UNE TELLE ÉVALUATION NE SERA FAITE QUE PAR INVACARE. CETTE GARANTIE NE S'APPLIQUE PAS AUX PROBLÈMES OCCASIONNÉS PAR L'USURE NORMALE OU LE NON-RESPECT DES INSTRUCTIONS CONTENUES DANS CE MANUEL.

LA GARANTIE SUSMENTIONNÉE EST EXCLUSIVE ET REMPLACE TOUTE AUTRE GARANTIE. LES GARANTIES IMPLICITES, S'IL Y A LIEU, COMPRENNENT LES GARANTIES IMPLICITES DE QUALITÉ MARCHANDE ET D'APTITUDE À UN USAGE PARTICULIER, NE S'ÉTENDRA PAS AU-DELÀ DE LA DURÉE DE LA GARANTIE MENTIONNÉE DANS LA PRÉSENTE ET L'UNIQUE RECOURS EN CAS DE VIOLATION DE QUELCONQUE GARANTIE SERA LIMITÉ À LA RÉPARATION OU AU REMPLACEMENT DU PRODUIT DÉFECTUEUX CONFORMÉMENT AUX CONDITIONS ÉNONCÉES DANS LA PRÉSENTE. INVACARE N'EST PAS RESPONSABLE DES DOMMAGES INDIRECTS OU ACCESSOIRES, QUELS QU'ILS SOIENT. CERTAINES PROVINCES NE PERMETTENT PAS D'EXCLUSION OU DE LIMITATION DES DOMMAGES INDIRECTS OU ACCESSOIRES OU DE DÉLAIS DE PRESCRIPTION CONCERNANT LA DURÉE D'UNE GARANTIE IMPLICITE AINSI, LES EXCLUSIONS ET LIMITATIONS

I-Lift™

MENTIONNÉES CI-DESSUS PEUVENT NE PAS S'APPLIQUER DANS
VOTRE CAS.
CETTE GARANTIE SERA ADAPTÉE AFIN DE RÉPONDRE AUX LOIS
ET RÈGLEMENTS PROVINCIAUX ET NATIONAUX.

Notes

Invacare Corporation

USA

One Invacare Way

Elyria, Ohio USA

44036-2125

800-333-6900

www.invacare.com

Manufacturer

Invacare Medical Equipment (Suzhou) Co. Ltd.

Unit 2B, Export Processing Zone

No. 200 Suhong Road SIP (Suzhou Industrial Park)

Suzhou, Jiangsu, PRC 215021

Tel: 86-512-62586192

Fax: 86-512-62586072

Canada

570 Matheson Blvd. E Unit 8

Mississauga, Ontario L4Z 4G4

905-890-8300

1171892-A 2012-11-06



Making Life's Experiences Possible™



Yes, you can.®