



Parts List

Joerns® Bed Frames

WeCare™ Bed

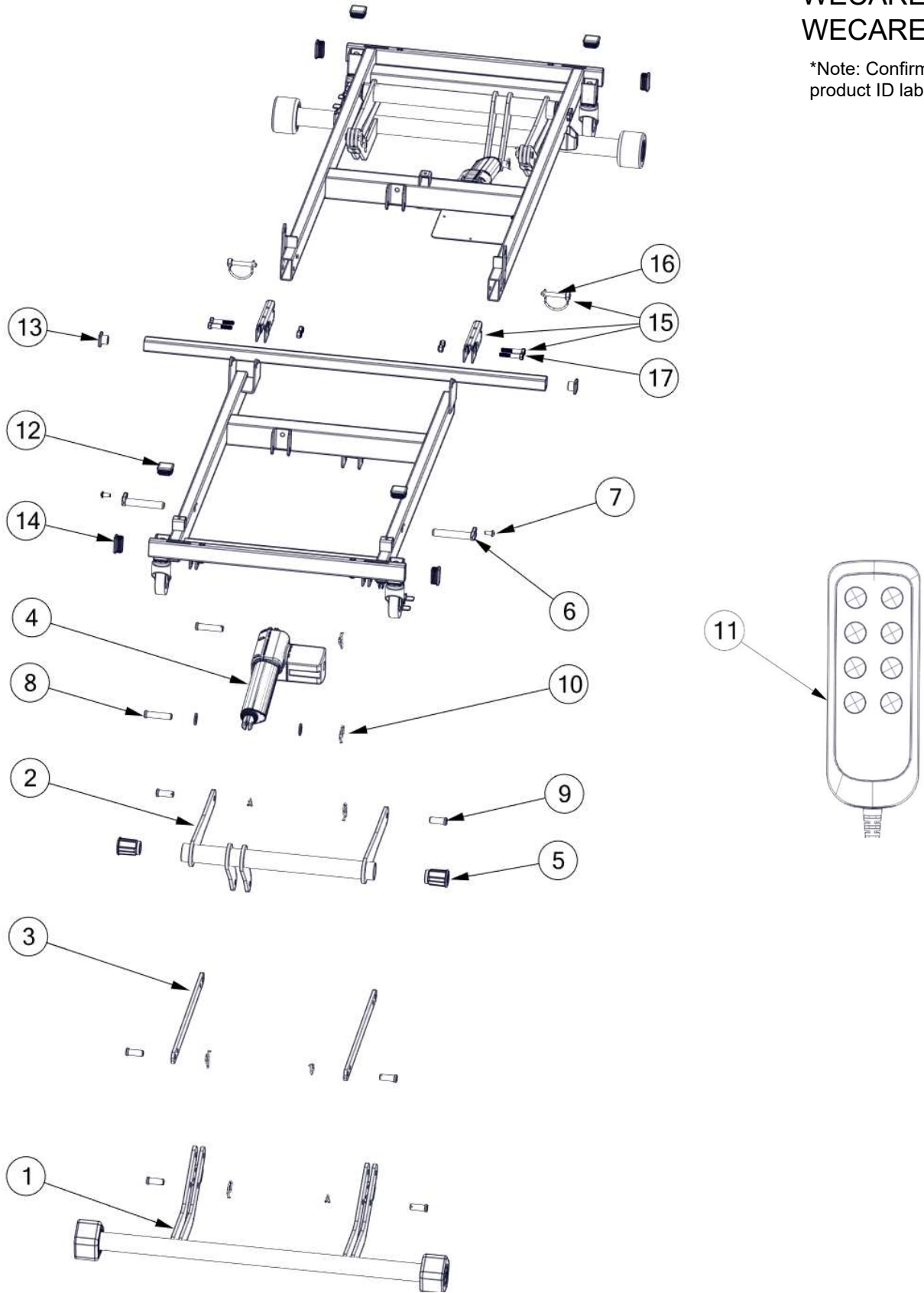
To avoid injury, read user's manual before using.



FRAME & HIGH/LOW
MECHANISM COMPONENTS
80" FRAME

MODELS*: WECARE BASE
WECARE RIL
WECARE RAH

*Note: Confirm bed model per
product ID label on frame.



FRAME & HIGH/LOW
MECHANISM COMPONENTS
80" FRAME
MODELS*: WECARE BASE
WECARE RIL
WECARE RAH

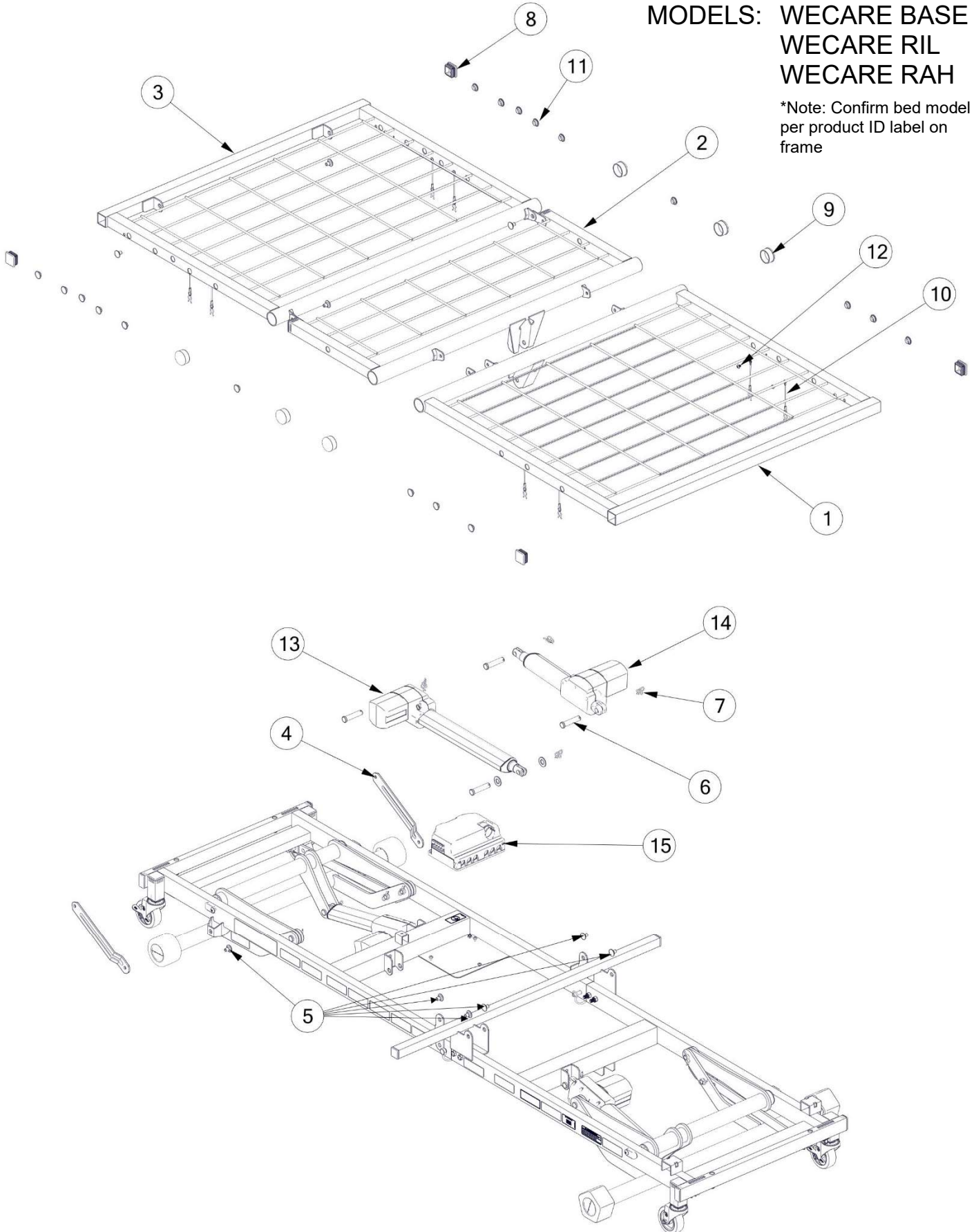
*Note: Confirm bed model per product ID label on frame.

ITEM NO.	PART NUMBER	DESCRIPTION
1	24006215AL	WELDMENT, LIFT, BOTTOM (BASE)
	24006734AL	WELDMENT, LIFT, BOTTOM, 8-28 (RIL/RAH)
2	24006390AL	WELDMENT, LINK, UPPER (BASE)
	24006733AL	WELDMENT, LINK, UPPER, 8-28 (RIL/RAH)
3	11013678AL	LINK, CONNECTING (BASE)
	24006740AL	WELDMENT, LINK, 8-28 (RIL/RAH)
4	39001910	KIT, ACTUATOR, HI/LO (BASE)
	39001963	KIT, ACTUATOR, HI-LO, JC35L3, 354/535 (RIL/RAH)
5	11011230	BUSHING, STABILIZER, PIVOT SHAFT
6	11012662	STABILIZER, PIVOT SHAFT
7	12552592	SCREW, 1/4-20 X 5/8", TX TRS HD
8	11012387	PIN, CLEVIS HEADED
9	11012388	PIN, CLEVIS HEADED
10	12800032	PIN, LOCKING COTTER
11	11016809	PENDANT, 8-BUTTON
12	39001158	CAP, 1 1/4"X1 1/4" SQUARE PLUG
13	12470467	CAP, 1'X1" SQUARE PLUG
14	12470486	CAP, 3/4" X 1 1/2" RECTANGULAR PLUG
15	39001913	KIT, FRAME COUPLING BRACKET
NS	39001918	KIT, HARDWARE, WECC {INCLUDES: ACTUATOR PINS (2), SAFETY PINS (2), RUE RINGS (2), STEEL WASHERS (2)}
16	39001966	KIT, SAFETY PIN, SPLIT FRAME
17	39001967	KIT, HARDWARE, SPLIT FRAME CONNECTION

MATTRESS SUPPORT PLATFORM COMPONENTS 80" FRAME

MODELS: WECARE BASE
WECARE RIL
WECARE RAH

*Note: Confirm bed model
per product ID label on
frame



**MATTRESS SUPPORT
PLATFORM COMPONENTS
80" FRAME
MODELS*: WECARE BASE
WECARE RIL
WECARE RAH**

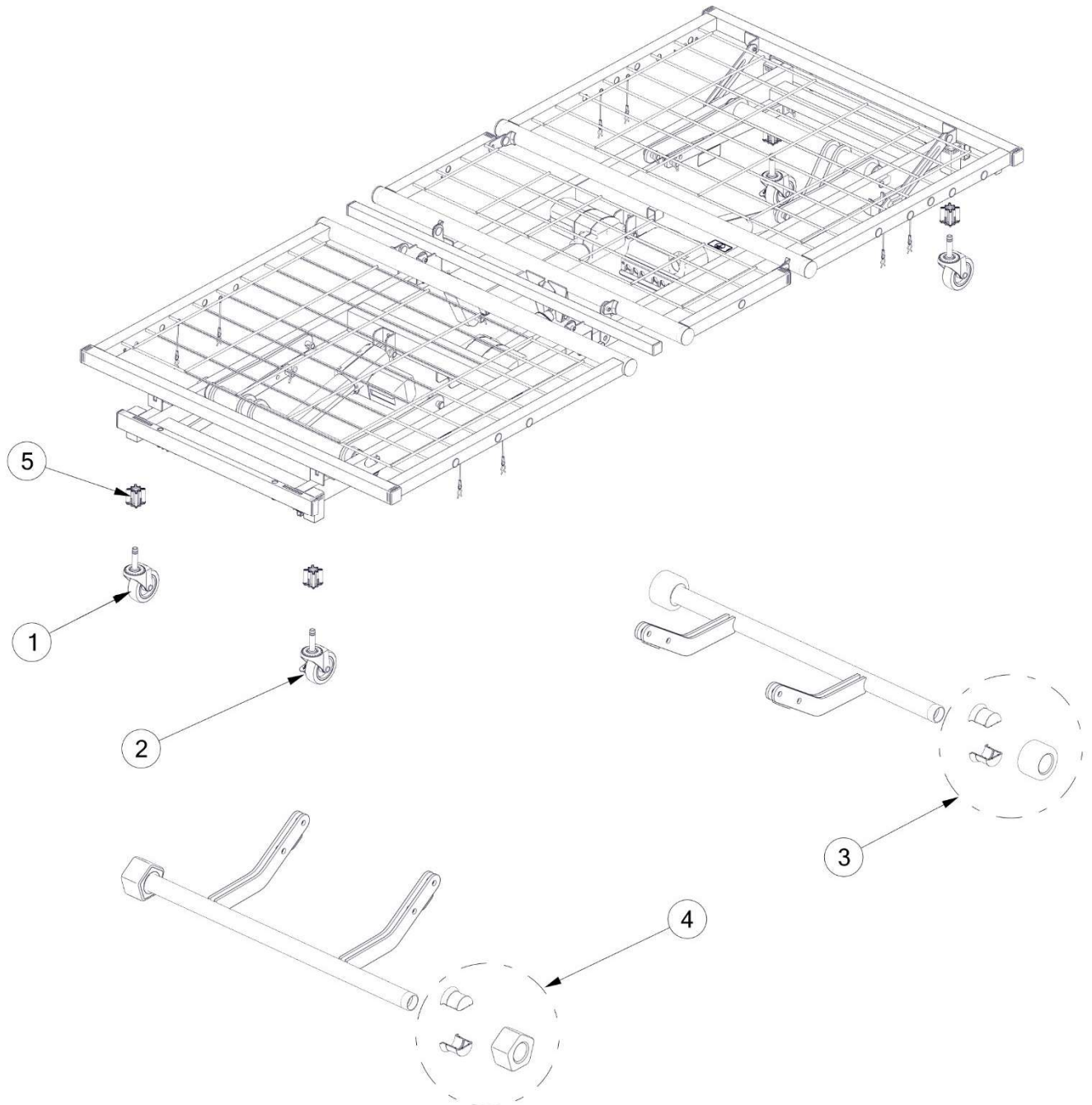
*Note: Confirm bed model per product ID label on frame.

ITEM NO.	PART NUMBER	DESCRIPTION
1	24006385AL	WELDMENT, BACK SECTION, 80 INCH
2	24006387AL	WELDMENT, KNEE SECTION
3	24006386AL	WELDMENT, FOOT SECTION
4	11010381AL	LEVER, LEG
5	39000052	KIT, RIVET, REPLACEMENT
6	11012387	PIN, CLEVIS HEADED
7	12800032	PIN, LOCKING COTTER
NS	39001317	KIT, MATTRESS STOP
8	39001158	CAP, 1 1/4" SQUARE PLUG
9	39001037	CAP, 1 1/2" ROUND PLUG
10	24005271	CLIP ASSEMBLY
11	39001067	KIT, SIDE RAIL PLUGS
12	12551015	SCREW, PPHTF, 10-32 X 1/4"
13	39001912	KIT, ACTUATOR, BACK, JC35L3, 480/580
14	39001911	KIT, ACTUATOR, KNEE, JC35L3, 322/365
15	39001909	KIT, CONTROL BOX, JCB35T, BED
NS	39001908	KIT, MAINS CABLE, CLASS I, JCB35T
NS	39001965	KIT, CLIP, MAINS CABLE

ROLL IN THE LOW POSITION –
STANDARD CONFIGURATION
80" FRAME

MODELS*: WECARE BASE
WECARE RIL

*Note: Confirm bed model per
product ID label on frame.



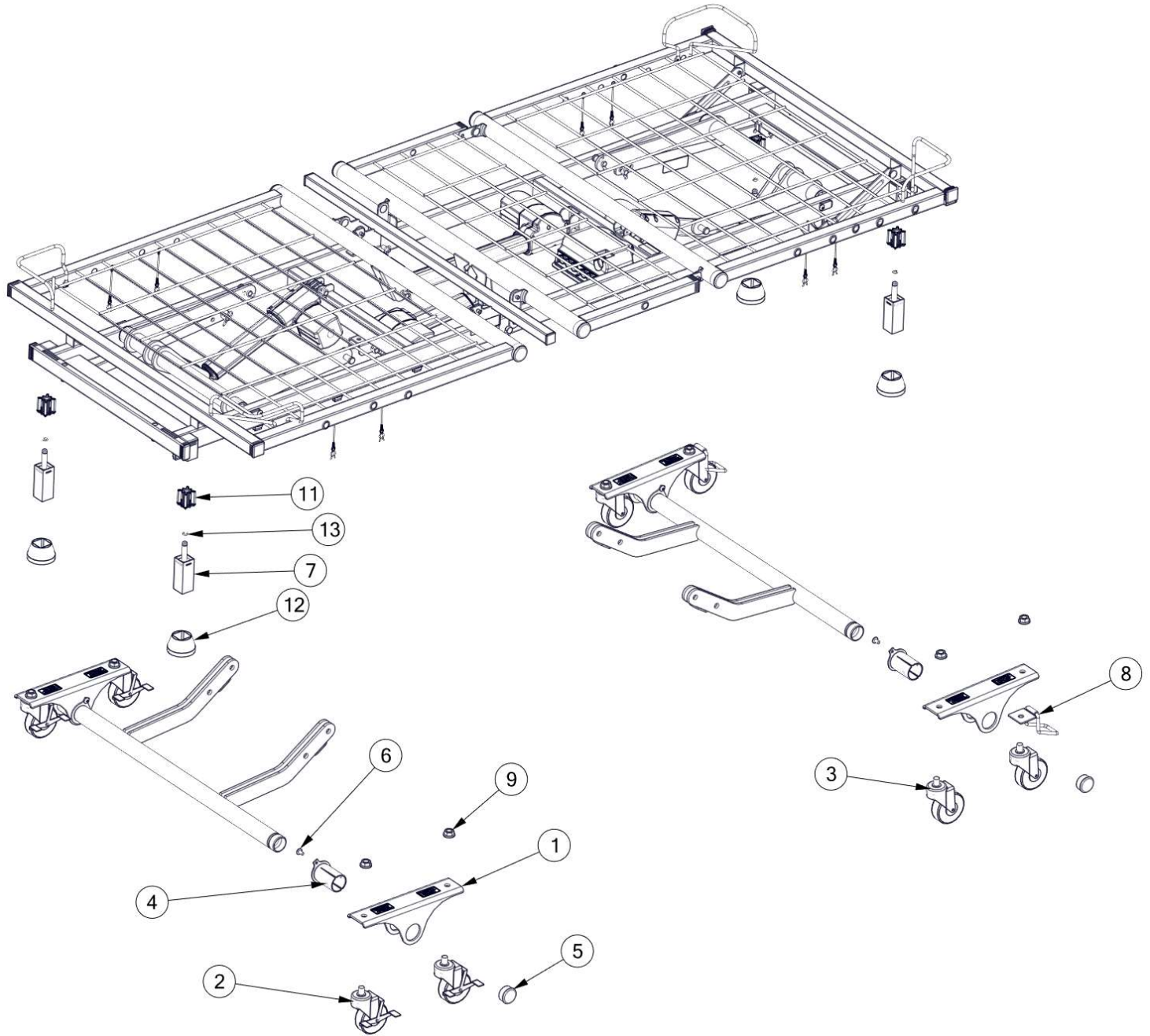
ROLL IN THE LOW POSITION –
STANDARD CONFIGURATION
80" FRAME
MODELS*: WECARE BASE
WECARE RIL

*Note: Confirm bed model per
product ID label on frame.

ITEM NO.	PART NUMBER	DESCRIPTION
NS	11011867AL	BUMPER, WALL, STD
NS	11011899AL	BUMPER, WALL, FOR T/RT
1	11016980	CASTER, SWIVEL
2	11016981	CASTER, LOCKING
3	39000792	KIT, ROLLER AND HUB
4	39000793	KIT, PENTAGON AND HUB
5	11009561	CASTER SOCKET

ROLL AT ANY HEIGHT –
STANDARD CONFIGURATION
80" FRAME
MODELS*: WECARE RAH

*Note: Confirm bed model per product
ID label on frame.



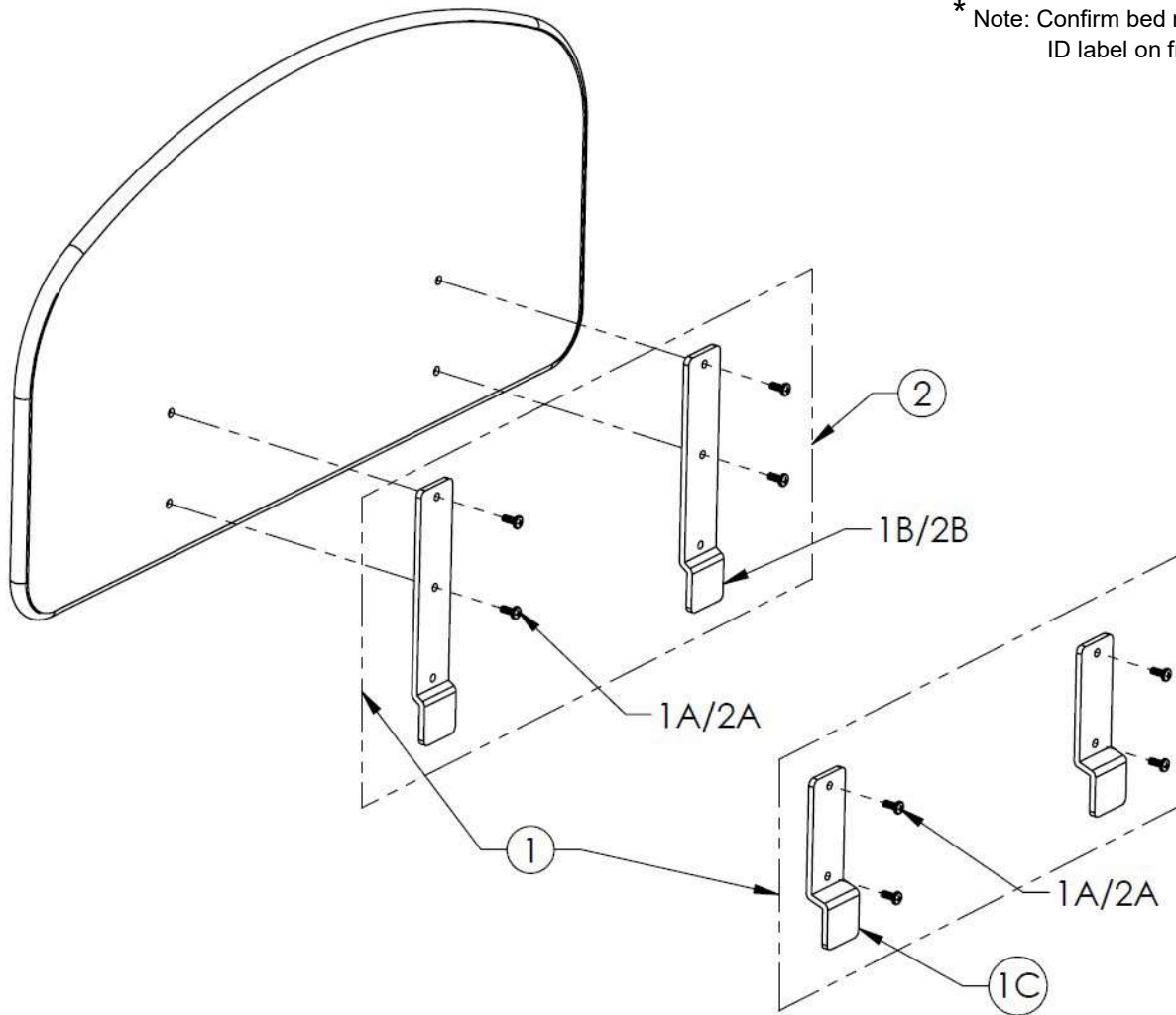
**ROLL AT ANY HEIGHT –
STANDARD CONFIGURATION
80” FRAME
MODELS*: WECARE RAH**

*Note: Confirm bed model per product ID label on frame.

ITEM NO.	PART NUMBER	DESCRIPTION
1	11012492AL	BRACKET, CASTER
2	12630001	CASTER, LOCKING
3	12630000	CASTER, SWIVEL
4	11012241	BEARING, GRIPLOCK, ASSY., PIVOL
5	39001037	CAP, PLUG, 1 ½ DIAMETER, BLACK
6	12552586	SCREW, ¼ - 20 X ½, TX TRS HD
7	24006743AL	WELDMENT, STEM ASM, 3.18
8	31008901	WHEEL LOCK, STRAIGHT
9	12675024	NUT, 12-13, WHIZ LOCK, ZINC
NS	11011867AL	BUMPER, WALL, STD
NS	11011899AL	BUMPER, WALL FOR T/RT
11	11009561	CASTER, SOCKET
12	11009576	FOOT PAD
13	11009562	RING GRIP

PANEL COMPONENTS
80" FRAME
MODELS*: WECARE BASE

* Note: Confirm bed model per product ID label on frame



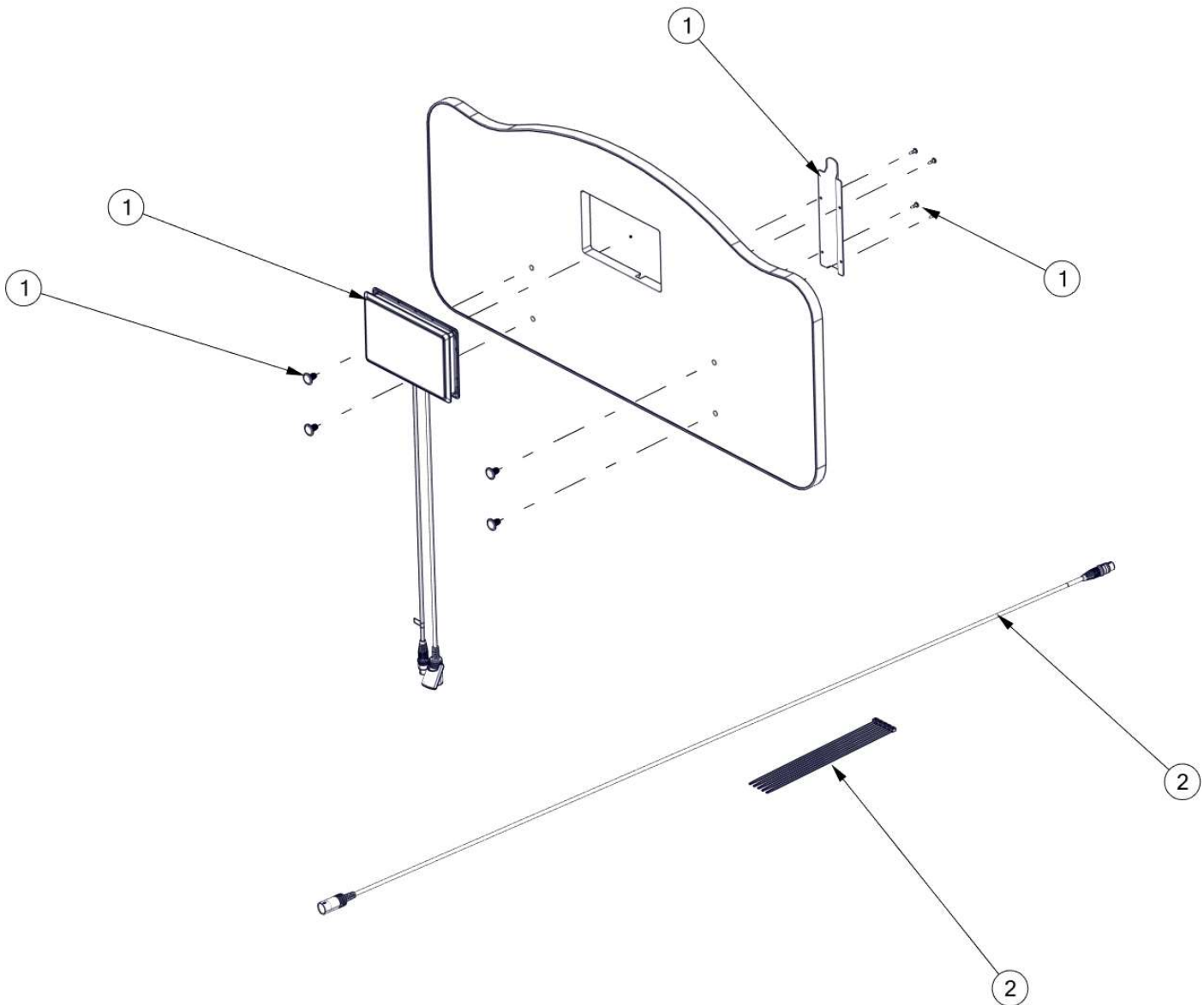
ITEM 1 35000713AL HARDWARE, HEAD AND FOOT PANELS		
PART	PART NO.	DESCRIPTION
1A	12542520	SCREW, 1/4-20 X 5/8
1B	11012848AL	BRACKET, HEAD PANEL
1C	11012724AL	BRACKET, FOOT PANEL
NS	6150316	INSTALLATION INSTRUCTIONS

ITEM 2 35000714AL HARDWARE, HEAD PANEL ONLY		
PART	PART NO.	DESCRIPTION
2A	12542520	SCREW, 1/4-20 X 5/8
2B	11012848AL	BRACKET, HEAD PANEL
NS	6150316	INSTALLATION INSTRUCTIONS

"NS" = NOT SHOWN

STAFF CONTROL
 PANEL COMPONENTS
 80" FRAME
 MODELS*: WECARE RIL
 WECARE RAH

* Note: Confirm bed model per product ID label on frame.



ITEM NO.	PART NUMBER	DESCRIPTION
1	39001968	KIT, STAFF CONTROL WECC (ALL PARTS SPECIFIED EXCEPT PANEL)
2	39001969	KIT, STAFF CONTROL CABLE, WECC

