

The alternative to being bedridden



Marked

Tie down hooks (4 rings) for the front facing transport of the user in moving vehicles (private cars, conformed buses etc.)  
**AS STANDARD**



**Attention!**  
Read carefully the user and maintenance manual

**RehabMart**.com  
Tools for the job of living

Quotes@RehabMart.com  
1-800-827-8283  
3651 Mars Hill Rd, Bldg 2400  
Watkinsville, GA 30677-6042  
USA

Contact Name: \_\_\_\_\_  
Street 1: \_\_\_\_\_  
Street 2: \_\_\_\_\_  
City, State, Zip: \_\_\_\_\_  
Contact Phone: \_\_\_\_\_  
Contact Email: \_\_\_\_\_

**F E A T U R E S**

- **FRAME** made of chromed steel, painted with non-toxic epoxy powder paint. Narrow base to facilitate entering elevators.
- **The seat and backrest are covered with visco-elastic fire-proof material. It is resistant, breathable and anti-slip. It is made of a special and exclusive ORMESA formula:**
  - 1) It adapts to the user's body shapes and it prevents its sliding, with the result of an **EXCELLENT COMFORT and KEEPING POSTURE**, even when changing the backrest recline and tilt (it adapts to the user's body shapes maintaining its support function).
  - 2) Easily washable to keep the **HYGIENE** of the user; it lets **AIR PASS** keeping the **OPTIMAL MICROCLIMATE** that **HELPS PREVENTING BED SORES**.
  - 3) Durable and fireproof, **GUARANTEE OF DURABILITY and SAFETY**.
  - 4) Ergonomic, breathable, non-toxic, fireproof **UPHOLSTERY**; It does not interfere with the benefits of the visco-elastic cover. The upholstery is fixed with buttons, easy to remove for machine washing.
- Ergonomic **BACKREST**, it holds the shapes of the user. **The special structure of the backrest gives a proper alignment to the trunk and it doesn't generate any pressure on the spine.** Adjustable in tilt by levers with safety pin. The pin allows blocking the levers to maintain the proper adjustment for the user, height adjustable, folding for transportation.
- Low **SEAT** and slightly inclined. Adjustable in depth on four positions.
- Wide and wrap **HEADREST**, padded, multi adjustable (in height, tilt, depth, lateral traslation); thus assuring the **proper alignment between head and trunk**, without interfering with the user's view. Anti-bacterial and Hygienic.
- **ARMRESTS**, padded, easily and stably adjustable in height thanks to the lever.
- **PUSH HANDLE** adjustable in tilt/ height, it helps the care.
- **CONTINUOUS AND WITHOUT EFFORT ADJUSTMENTS**: tilting, backrest recline and legrest tilt are operated by independent gas springs.
- **SIDES** with scissor opening. Thanks to the special joint, the armrests are positioned behind the backrest, eliminating completely all obstacles to the transfer.
- **LEG RESTS**: ergonomic, removable, turnable and adjustable in tilt without effort, activated with gas springs.
- **CALFRESTS** adjustable in depth and free tilt to accommodate the movements of the leg.
- **FOOT RESTS**, adjustable in flexion-extension and height.
- **8" front solid wheels and 22" rear wheels with brake.** Anti-tip device and pedal to climb steps.

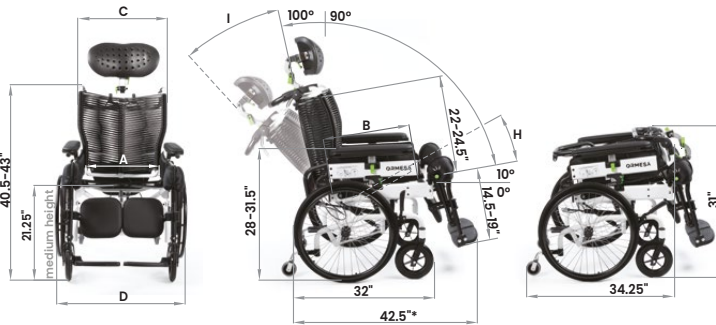
Please check off the interested products:

**C O L O R S**  
**M E A S U R E S**

FRAME COLOUR: **black**

SIZES:  14  16  18  20

UPHOLSTERY COLOUR:  dark grey



Juditta B60	Size 14	Size 16	Size 18	Size 20
<b>A seat bottom width</b>	14 in	16 in	18 in	20 in
<b>B seat bottom depth</b>	16-17-18-19 in	16-17-18-19 in	16-17-18-19 in	16-17-18-19 in
<b>C backrest width</b>	18.5 in	18.5 in	20.5 in	22.5 in
<b>D overall width</b>	27 in	27 in	29 in	31 in
<b>H seat bottom inclination-tilt</b>	from 10° to 35°	from 10° to 35°	from 10° to 35°	from 10° to 35°
<b>I backrest inclination</b>	from 10° to 38°	from 10° to 38°	from 10° to 38°	from 10° to 38°
<b>Total weight</b>	88 lbs	88 lbs	92.5 lbs	95 lbs
<b>Max capacity</b>	264.5 lbs	264.5 lbs	286.5 lbs	308.5 lbs

Hyphen separated numbers indicate a minimum and maximum range of adjustment

**A D D I T I O N A L**  
**C O M P O N E N T S**

**824-R Reclinable tray, adjustable in tilt, backwards-forwards, with security block**

It is made by resistant and hygienic material, design with no edges, it doesn't keep residual food.



**894 45° Pelvic belt**



**834 Padded abduction block**



**892 Footplate covering**



**914 Footrest lock**



**896 Tray 824 covering**



**916 Padded leg panel**



**938 Wipeable upholstery**



**303524 Breathable dark gray upholstery 14"**

**171658 Breathable dark gray upholstery 16"**

**171654 Breathable dark gray upholstery 18"**

**171654 Breathable dark gray upholstery 20"**