

# Juditta

The alternative to being bedridden



INGLESE COD. 220166 - 10-2015

 design and quality  
**MADE IN ITALY since 1980**

by **ORMESA**<sup>®</sup>





- ✓ Ergonomic sitting, it supports and holds shapes
- ✓ Optimal shift pressure
- ✓ Hygienic and breathable
- ✓ Easy transfers
- ✓ Customizable
- ✓ 3 tilting models

Juditta is the alternative to bed; it is indicated for adult and elderly patients who need an extended or permanent stay in a wheelchair or in bed

It is a sitting system recommended for individuals with different levels of disability; it even adapts to the most complex cases

It allows to assume a stable and comfortable position and to prevent incorrect or pathologic attitudes

Its particular structure allows breathability, hygiene and comfort





**PATENTED**



Model B30 and B60 are suitable to be transported in a vehicle according to ISO 7176/19 and ANSI RESNA WC/19 standards

CE





## Ergonomic sitting, supports and holds shapes

thanks to the  
particular shape of  
the backrest, seat  
and multi-adjustable  
headrest



view from above

### **Ergonomic backrest, it holds the shapes of the user**

The special structure of the backrest gives a proper alignment to the trunk and **it doesn't generate any pressure on the spine.** It also offers a high level of stability without the need of side supports.

By accommodating the user shapes it prevents from contractures and deformities. It relieves and redistributes the pressure and increases the sitting position tolerance

### **Backrest adjustable in height**

to adapt to the different  
dimensions of users



view from behind



view from above

### **Multi adjustable headrest**

The structure and dimensions of the headrest provide stability to the user without obstructing the lateral movement of the head. The headrest follows the shape of the backrest; thus assuring the proper alignment between head and trunk



Adjustable in height



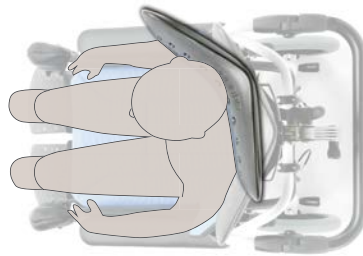
in tilt



in depth



in lateral translation



The high excursion in depth and the wide lateral translation of the headrest satisfy the user's specific needs and allow following his head in a decentralized position compared to the alignment of trunk and pelvis  
All the adjustments improve the visual orientation of the subject



lateral view with open side supports

### **seat**

The special cover of the seat and the slight tilt prevent the user from sliding forward

### **comfort**

the leg- and backrest mechanical joints are close to the physiological ones.

When you change the tilt of the leg rest and backrest, hip and knee joints will not change





# comfortable... Optimal shift pressure

*weight is well distributed between the seat and backrest, excluding pressure peaks on the ischial area. Juditta sitting shape and cover avoid pressures along the spine*



The tilt and recline positively affect blood pressure by improving oxygenation in the skin and muscle tissues

## **Tilting and recline**

Tilting and reclining of the backrest make it possible to get the ideal support position. This allows a variation of the pressure points and prevents from generating pressure sores.

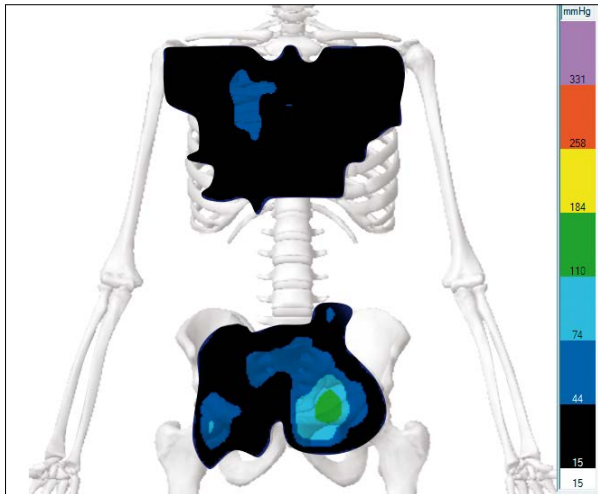
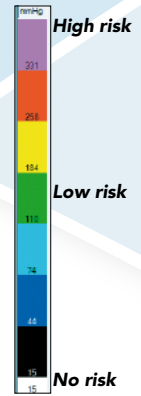
Tilting and recline are operated by two independent gas springs that absorb the user's weight and make it easy to be handled by the caregiver.



The semi-elastic material of the seat and backrest follows the anatomy of the user adapting to it without generating any pressure and/or rubbing (see pict. 1 with user off, pict. 2 with the user on)

## Clinical validation

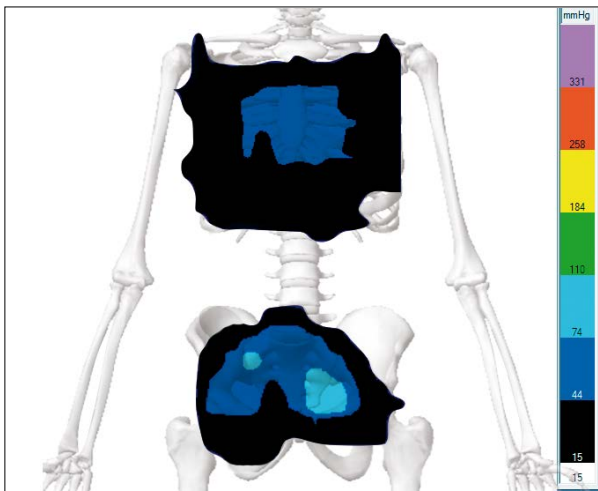
Studies carried out on **Juditta** show an optimal redistribution of the body weight. It entails the reduction of pressure peaks and prevents from the risk of generating pressure sores



Juditta: max. tilting, max. backrest recline, lifted foot rests. Patient (average adult) just positioned

### **Juditta, our seating concept for those patients who need to maintain the laying position for a long time**

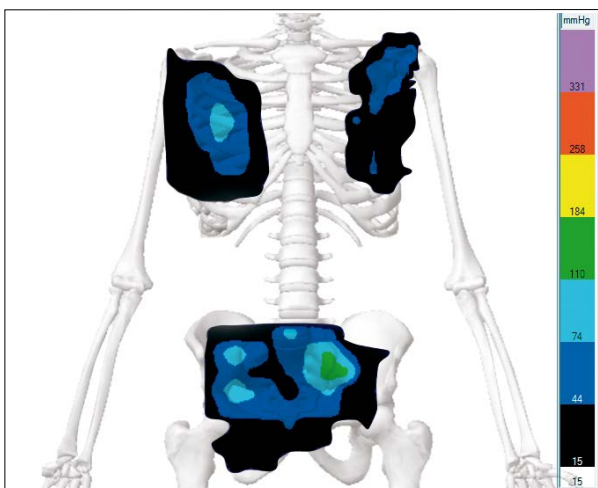
The special semi-elastic cords adapt themselves to the shapes and weight of the user, it increases back rest and seat contact area and generate a considerable reduction of the pressure peaks



Juditta: max tilting, max backrest recline, lifted foot rests. Patient (average adult) positioned by 90 minutes

### **extended pressure discharge**

Even after one hour and 30 minutes from positioning the user the special semi-elastic cords continue to maintain their shaping feature and the pressure loading decreases



Juditta: results without upholstery

### **no pressure loading on the vertebral bodies**

On the left we see a safety situation for the user with limited pressure discharge. When removing the upholstery there are no pressures along the spinal tract. This makes Juditta particularly suitable for paraplegic users or people suffering from post-operative inflammations.





## Hygienic and breathable

The particular covering and the upholstery, both highly breathable, allow the passage of the air and maintain an optimal microclimate



### Anti-bacterial headrest

made of a special material with closed cells highly resistant to external chemical agents



### Hygienic, breathable, comfortable and long-lasting

The seat and backrest are covered with semi-elastic fire-proof material. It is resistant, breathable and anti-slip. It is made of a special and exclusive ORMESA formula



upholstery, easy to remove for washing



### Upholstery made of high quality Italian fabric

**Fire-proof:** its fire-proof properties are inherent to the yarn and they do not come from any additional treatments.

**Recyclable:** Production cycle with low environmental impact.

**Maximum resistance to rubbing**

**Oeko-Tex Class 1 Certificate:** the highest reachable class for textile products that are in direct contact with the skin and are intended for infants and children. Guarantee of quality and safety for health.

**Long-lasting and highly resistant colours:** they are resistant to sweat, light, dry cleaning and washing machine (see its Use and Instruction manual)



FLAME RETARDANT  
IMO RES. A652









## Easy transfers

*the scissor opening of the sides allows the easy and safe transfer of the user, with no obstacles*









# Customizable and adaptable to the different user needs

thanks to its versatility it can be used by users who have different sizes and needs



Removable **leg rest**,



turning,



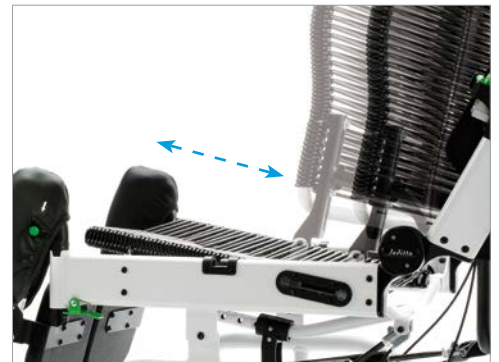
adjustable in tilt with no efforts



**Foot rests**, adjustable in height and flexion-extension



**Drum brakes** operated by a single control pedal



**Seat adjustable in depth** on four positions, maintaining the same recline degrees of the backrest on the 4 levels of depth







**Push handle**  
adjustable in tilt/  
height, it helps the  
care-giver in handling  
it even when Juditta  
is in the lying down  
position



**Backrest, adjustable  
in tilt** by levers with  
safety pin. The pin allows  
blocking the levers to  
maintain the proper  
adjustment for the user



**Armrests**, padded and easily and stably  
adjustable in height thanks to the lever



**Sides with scissor opening.** Thanks to  
the special joint, the armrests are positioned  
behind the backrest, eliminating completely  
all obstacles to the transfer



**Backrest, folding** for  
transportation



## 3 tilting models

designed for the different environments where the aid is used



### B30

tilting, with 8 inches front solid swivelling wheels and 12 inches rear wheels; drum brakes are operated by a single control pedal



### B12

tilting, for indoor use, with four 5 inches solid swivelling wheels, brakes on rear wheels

### B60

tilting, with 8 inches front solid wheels and 22 inches rear wheels with brake





the range of available accessories makes Juditta adaptable to the particular needs of the patient and of the care-giver



**824-F** tray adjustable backwards-forwards, with security block

*It is made by resistant and hygienic material, design with no edges, it doesn't keep residual food*



**824-R** reclinable tray adjustable in tilt, backwards-forwards, with security block



**828** abdominal belt



**834** padded abduction block, adjustable in height and backwards-forwards



**891** tie down hooks (4 rings) for the front facing transport of the user in moving vehicles (private cars, conformed buses etc.) Only for B30 and B60 models. Refer to the Use and Maintenance manual supplied with the aid



**892** padded footplate covering, removable



**896** padded tray 824 covering, removable



**914** footrest lock. Locks the two footrests together to form one unit



**905** set of hand brakes for rear wheels



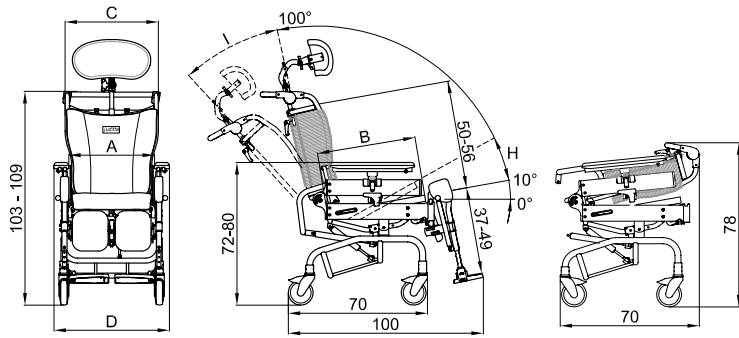
**916** padded leg panel, alternative to the calf rests



**933** IV pole

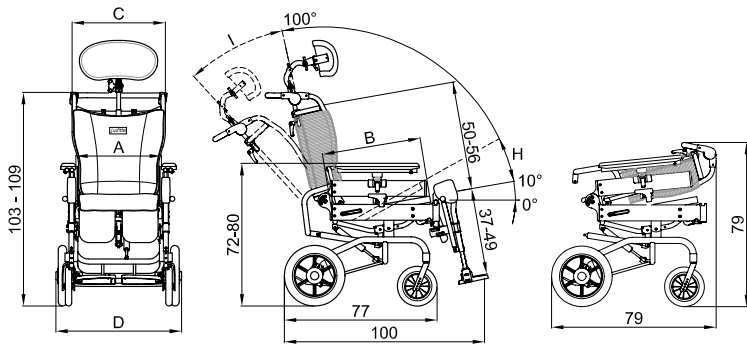


**936** headrest cover, removable



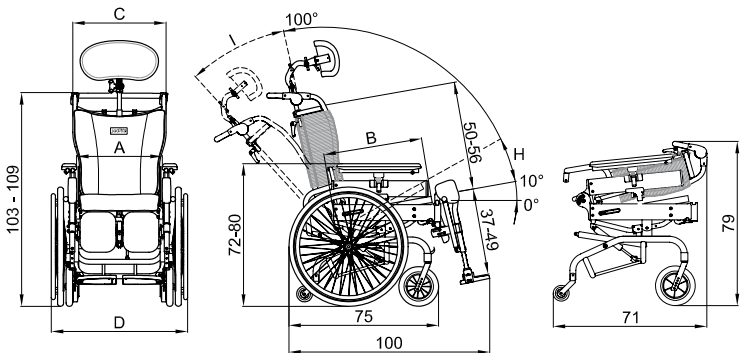
Juditta B12	size 36	size 40	size 45	size 50
<b>A</b> Seat bottom width	cm 36	cm 40	cm 45	cm 50
<b>B</b> Seat bottom depth	cm 40-43-46-49	cm 40-43-46-49	cm 40-43-46-49	cm 40-43-46-49
<b>C</b> Backrest width	cm 47	cm 47	cm 52	cm 57
<b>D</b> Total width	cm 58	cm 58	cm 63	cm 68
<b>H</b> Seat bottom inclination-tilt	da 10° a 35°	da 10° a 35°	da 10° a 35°	da 10° a 35°
<b>I</b> Backrest inclination	da 13° a 38°	da 13° a 38°	da 13° a 38°	da 13° a 38°
Aid weight	kg 35	kg 35	kg 36	kg 37
Max capacity	kg 100	kg 120	kg 130	kg 140

Hyphen separated numbers indicate a minimum and maximum range of adjustment



Juditta B30	size 36	size 40	size 45	size 50
<b>A</b> Seat bottom width	cm 36	cm 40	cm 45	cm 50
<b>B</b> Seat bottom depth	cm 40-43-46-49	cm 40-43-46-49	cm 40-43-46-49	cm 40-43-46-49
<b>C</b> Backrest width	cm 47	cm 47	cm 52	cm 57
<b>D</b> Total width	cm 62	cm 62	cm 67	cm 72
<b>H</b> Seat bottom inclination-tilt	da 10° a 35°	da 10° a 35°	da 10° a 35°	da 10° a 35°
<b>I</b> Backrest inclination	da 13° a 38°	da 13° a 38°	da 13° a 38°	da 13° a 38°
Aid weight	kg 38	kg 38	kg 39	kg 40
Max capacity	kg 100	kg 120	kg 130	kg 140

Hyphen separated numbers indicate a minimum and maximum range of adjustment



Juditta B60	size 36	size 40	size 45	size 50
<b>A</b> Seat bottom width	cm 36	cm 40	cm 45	cm 50
<b>B</b> Seat bottom depth	cm 40-43-46-49	cm 40-43-46-49	cm 40-43-46-49	cm 40-43-46-49
<b>C</b> Backrest width	cm 47	cm 47	cm 52	cm 57
<b>D</b> Total width	cm 69	cm 69	cm 74	cm 79
<b>H</b> Seat bottom inclination-tilt	da 10° a 35°	da 10° a 35°	da 10° a 35°	da 10° a 35°
<b>I</b> Backrest inclination	da 13° a 38°	da 13° a 38°	da 13° a 38°	da 13° a 38°
Aid weight	kg 41	kg 41	kg 42	kg 43
Max capacity	kg 100	kg 120	kg 130	kg 140

Hyphen separated numbers indicate a minimum and maximum range of adjustment