

## "B" SERIES KAYE POSTURE CONTROL WALKERS

(effective 2/02/04)

These are the user instructions for the "B" Series Kaye Posture Control Walkers. All persons who set-up, adjust, or use the walker should first read these entire instructions. Walkers with seats have a second set of instructions that detail the seat usage. Please store the instructions for future reference.

### USE

The Kaye Posture Control Walker is designed as a reverse or posterior walker, where the user faces away from the rear bars and towards the open end of the walker. These walkers are designed to facilitate postural alignment, balance, and components of gait through the following means (as compared to traditional, forward walkers):

1. The support behind the user encourages a more upright posture.
2. The handgrips beside the user encourage improved upper extremity position.
3. The centering of the user within the walker and over his own feet encourages the development of balance.
4. The rear horizontal bars encourage the user to step forward as he moves the walker forward.
5. Pulling the walker helps eliminate the abnormal two-footed stance when a user must stop and move the walker further to their front.

### FRAME DESIGNS

The W1/2B, W1B, W2B, W3B, and W4B series walkers are designed to be used as regular walking aids.

The R2B, R3B, and R4B series walkers are designed with additional interior room for users who wear leg braces.

### WHEEL DESIGNS

The two-wheeled design provides extra drag for users who cannot yet manage a walker that rolls forward as they shift their weight forward.

The four-wheeled designs help improve cadence, velocity, energy use, and step and stride length. All four-wheeled walkers have locking rear wheels to prevent them from rolling backwards.

The swivel front wheels allow the user to turn without having to lift and reposition the walker.

### WALKER IDENTIFICATION, AND SIZE AND WEIGHT LIMITS

The model number is on the warning label and the yellow/orange leg label. ("H" or "-seat" denotes a fold-down seat; "R" denotes four wheels; "S" denotes four wheels with swivel front wheels; "X" denotes silent rear wheels.)

The following chart lists height and weight limits for each walker as follows:

A = Height adjustment, in inches, from the floor to top of the grip. This should match the height from the floor to the middle of the user's buttocks.

B = Height adjustment, in cms.

C = Maximum weight limit, in lbs.

D = Maximum weight limit, in kgs.

MODELS	A (ins.)	B (cms.)	C (lbs.)	D (kgs.)
W1/2B, W1/2BH	14.5 - 20.0	37-51	60	27
W1/2BR,S,X W1/2BHR,S,X	14.5 - 18.0	37-46	60	27
W1B, R, S, X W1BH,R,S,X	16.5 - 22.0	42-56	60	27
W2B, R, S, X R2B, R, S, X	19.0 - 25.0	48-64	85	39
W3B, R, S, X R3B, R, S, X	23.0 - 30.5	58-77	130	60
W4B, R, S, X R4B, R, S, X	28.0 - 36.0	71-91	180	82

### FOLDING AND UNFOLDING

To unfold the walker, pull the hand grips away from the rest of the frame, and the walker should begin to unfold. Continue to unfold the frame until the latch pushpins extend and lock as shown in Figure A.

To fold the walker, face it from the open end, depress the latch push-pins, tilt the walker so that it rests on its rear legs only, and push the front legs towards the rear legs.

## ASSEMBLY

Some walkers are shipped with the legs removed. Install the legs as follows:

1. The front legs have wheels that rotate in both directions. Install the front leg with the orange sticker into the front, left side of the frame. Install the other front leg into the front, right side of the frame.
2. Install the rear legs with tips so that the bend points the tip towards the front of the walker.
3. The rear legs with wheels have wheels that rotate in only one direction. Install the rear leg with the orange sticker into the rear, left side of the frame. Install the other rear leg into the rear, right side of the frame.

## HEIGHT ADJUSTMENT

Adjust the height of the walker so that the top, rear bar is aligned with the middle of the user's buttocks. To do this, press the pushpin on each leg and slide the leg up or down as needed.

After installing or adjusting the legs, always check the following:

1. All four extensions must be adjusted to the same height.
2. The pushpins must protrude fully from the adjustment holes.
3. The wheels should face towards the outside of the walker.
4. If you have rear legs with tips, the bend should point the tip towards the front of the walker.
5. If you have swivel front wheels, the plates should be parallel with the ground and protrude from the walker as shown in Figure B.
6. If you have rear wheels, the locking mechanism on the rear wheels should prevent the walker from rolling backwards.

## UNLOCKING AND LOCKING THE SWIVEL WHEELS

To unlock the front wheels so that they swivel, rotate each swivel latch around and down, as shown in Figure B, until it rests against the bolt that serves as an axle for the wheel.

To prevent the wheels from swiveling, first point the wheel straight ahead as shown in Figure B. Then rotate each latch around and up until it is seated fully into the slot located in the plate above the wheel.

## ADJUSTING ALIGNMENT, SWIVEL WHEELS

Adjust the alignment of the swivel wheels as follows:

1. Ensure that the swivel caster is locked as shown in Figure B.
2. Use 1/2" wrenches to loosen bolt "X".
3. Point the caster assembly in the desired direction.

4. Securely tighten the bolt.

## ADJUSTING NON-SWIVEL WHEELS, FRONT AND REAR

Use 9/16" wrenches to adjust the optional, silent rear wheels. Use 3/4" wrenches to adjust the front, "all-terrain" wheels. Use 1/2" wrenches to adjust all other wheels. A flat-head screwdriver may also be needed.

Adjust the alignment of the non-swivel wheels, front or rear, as follows:

1. If a bolt head, which is located on the outside of the wheel, is concealed by a plastic cover, remove that cover. To do this, insert the tip of a flat-head screwdriver just under the edge of the plastic cover and gently pry the cover off of the metal flange. The bolt head should then be visible.
2. Secure the bolt head on the outside of the wheel so that it does not turn.
3. Loosen the nut that is located on the opposite side of the leg as is the wheel.
4. If you have silent rear wheels, you may also need to loosen the nut between the leg and the wheel. To do this, move that nut away from the leg. (It may be necessary to rotate the bolt head in order to loosen this nut.).
5. Adjust the alignment as desired.
6. Move the wheel up or down to ensure the walker is level.
7. Secure the bolt head that is on the outside of the wheel so that it does not turn.
8. Identify the nut that is on the opposite side of the leg as is the wheel. Securely tighten that nut into the tube.
9. If you have silent rear wheels, identify the nut that is between the wheel and the tube. Securely tighten that nut into the tube.

## OPTIONAL REAR LEGS WITH SILENT, ONE-WAY BEARINGS

Rear leg extensions with silent, one-way bearings are available as an option for these walkers. Model RR1/2B fits W1/2B and W1/2BH frames; RR1B fits W1B and W1BH frames; RR2B fits W2B and R2B frames; RR3B fits W3B and R3B frames; and RR4B fits W4B and R4B frames.

Install these legs as described under ASSEMBLY, step 3.

Adjust these legs as described under ADJUSTING NON-SWIVEL WHEELS, FRONT AND REAR. However, after adjustment, both nuts must be tightened very securely against the tube, or the following difficulties may occur:

1. When rearward pressure is applied, the one-way bearing may turn the bolt. When this occurs, the wheel can become misaligned and/or become loose on the leg. To correct this, adjust the wheel as described in the previous section and

very securely tighten both nuts into the tube.

2. If the bolt turns, as described above, it may permit the nut between the wheel and the leg to turn. The nut may then bind against the wheel and prevent the wheel from turning. To correct this:
  - a) Identify the nut that is between the wheel and the leg.
  - b) Use a wrench to move that nut away from the wheel, just until the wheel can rotate forward without binding.
  - c) Adjust the wheel as described in the previous section and very securely tighten both nuts into the tube.

#### ANTERIOR OR FORWARD WALKERS

The leg extensions can be rearranged to make the following models forward walkers: W2B, R2B, W2BR, R2BR, W3B, R3B, W3BR, R3BR, W4B, R4B, W4BR, and R4BR.

The W1/2B, W1/2BH, W1/2BR, W1/2BHR, W1B, W1BH, W1BR, and W1BHR walkers can be special-ordered as forward walkers.

#### "ALL-TERRAIN" WHEELS

Optional leg extensions with large or "all-terrain" wheels are available for these walkers. The front legs have 9" dia., non-swivel wheels. The rear legs have 5" dia. wheels with external ratchet mechanisms.

Model W1BAC fits W1B and W1BH frames; W2BAC fits W2B and R2B frames; W3BAC fits W3B and R3B frames; and W4BAC fits W4B and R4B frames.

#### OTHER ACCESSORIES

Walkers with fold-down seats are available. Contact Kaye Products, Inc. for more information about seated walkers. The seats will not retrofit existing walkers.

Forearm supports, pelvic stabilizer side pads, and extensor assist center pads are available for these walkers.

Guide handles are available for the W1/2B, W1/2BH, W1B, W1BH, W2B, and W3B series walkers.

The accessories include their own user instructions.

Please call Kaye Products, Inc. or consult their catalog for more details.

#### MAINTENANCE AND CARE

Inspect the walker regularly. Tighten the nuts and bolts as necessary.

If a product needs service or spare parts, contact Kaye Products, Inc. or the dealer from whom you purchased the item.

If a problem is discovered that may impact the product's function, immediately cease use and contact Kaye Products, Inc.

The wheels and crutch tips will wear and should be replaced as needed.

The ratchet or brake mechanisms on the rear wheels will wear and should be replaced, as needed, in order to maintain the rear-braking feature. Dirt, trash, or ice build-up on the ratchet mechanisms may prevent them from functioning.

If your walker has the rear wheels with silent, one-way bearings, care should be taken to avoid exposing these bearings to salt or salt water.

Use water and, if needed, soap to clean the walker.

Avoid any undue stress to the walker while using, storing, or transporting it.

#### LIMITED WARRANTY

If an item proves defective within two years of the original purchase, we will provide you with replacement parts in order to correct that defect. Wear and tear, and the items listed under MAINTENANCE AND CARE are not covered by the warranty.

Kaye Products, Inc. makes no other warranty, expressed or implied, and does not warrant the product as being fit for a particular purpose. The purchaser, owner, and user assume all risk of personal and property injury due to the use of the equipment.

#### CAUTIONS

1. Not for elderly.
2. Each time you unfold or adjust the walker, ensure that pushpins fully extend from their corresponding holes.
3. Do not use with broken or missing parts.
4. Do not use on stairs, steep slopes, or steep ramps.
5. Do not exceed the size and weight limits.
6. Do not alter the product or use it in any way other than described herein.
7. Never leave a child unattended.
8. Always use qualified supervision.

#### QUESTIONS?

If you have any questions, please contact Kaye Products, Inc.



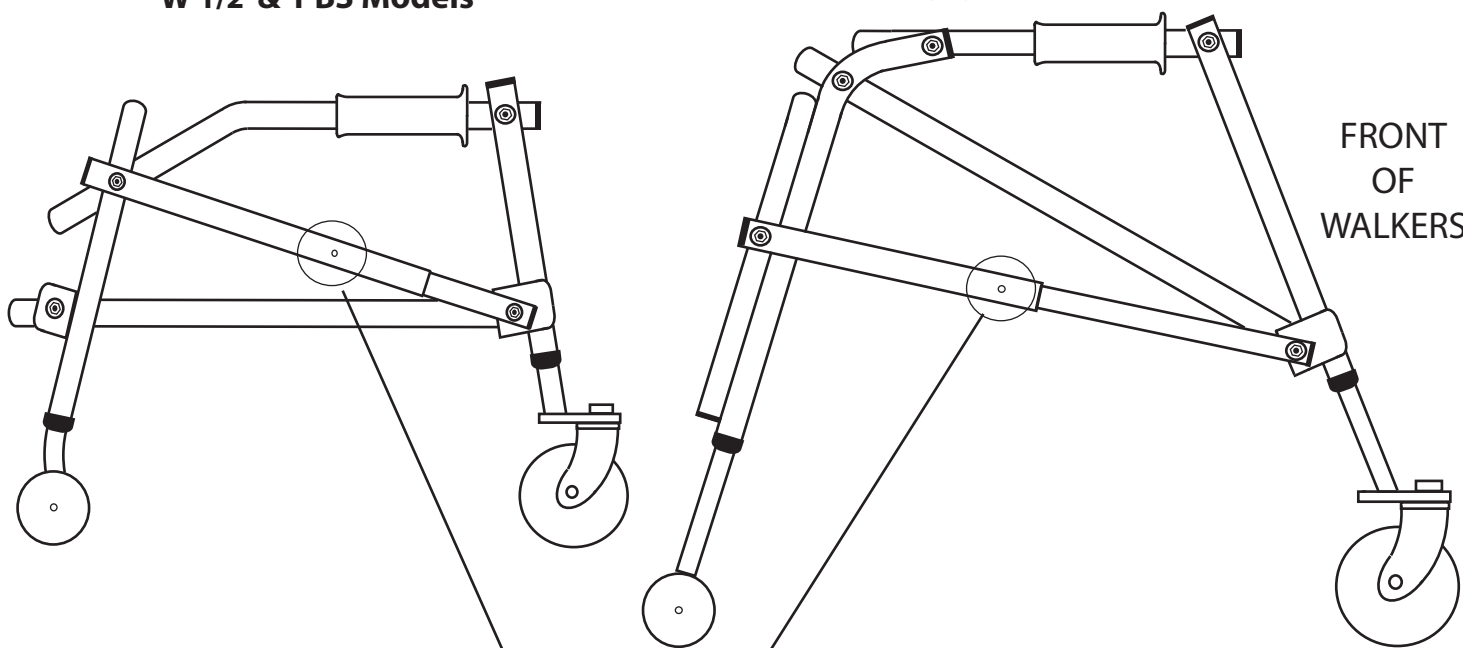
Our authorized representative for the European Medical Device Directives is Advena, Ltd., PO Box 30, Leominster, Herefordshire, RH12 2BT, UK.

# Figure A

W 1/2 & 1 BS Models

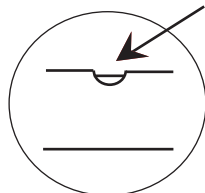
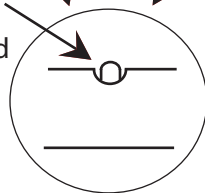
W 2, 3, & 4 BS Models

FRONT  
OF  
WALKERS



**Correct**  
snap button  
fully extended

**Incorrect**  
snap button  
not extended



# Figure B

