

OWNER'S MANUAL



KidWalk II

Dynamic Mobility System



*****Note*****

Read Owner's Manual before use.

Manufactured By
Prime Engineering
A Division of Axiom Industries, Inc.

TABLE OF CONTENTS

This owner's manual is organized into the following sections:

Description	Page No.
• Table of Contents	2
• Product Photo, Specifications and Packing List	3
• Intended Use / Restrictions	4
• Safety Information	4
• Cleaning & Care Information	5
• Daily Product Inspection	5
• Assembly Information and Instructions	6-9
• Measurements & Initial Setup Information	10-11
• Initial Adjustments	12
• Placing The Client in the <i>KidWalk II</i>	12
• Removing The Client	13
• Other Adjustments	14-15
• Removing the Client and Transport and Storage	16
• Annual Product Inspection	17
• Reissuing of <i>KidWalk II</i>	17
• Product Servicing	17

If you have any questions or require further assistance, please contact your supplying dealer for assistance or you can contact us directly at Info@primeengineering.com.

****Note:**

Carefully read all instructions and notes prior to assembly and use of the *KidWalk II*.**

****Note:**

KidWalk II should be used by direction of the clients physician and therapist.**

SPECIFICATIONS

Seat Ht from floor: inch / cm
14.5" - 28" **36** - 71.12 cm
 Weight Capacity: 90 lbs 40 kg

Product Dimensions:

Base Width: inch / cm
27.5" **70 cm**
 Overall Length: **36" - 38"** **91.5** - 96.5 cm
 Std. Unit Weight: 44 lbs 20.5 kg
 Casters: Lighted **5"** **127mm**
 Mast Height: **37.25"** 94.6 cm
 Upholstery: Black Nylon

Note: Specifications are for a standard unit.

PARTS LIST

KidWalk II comes partially assembled in 1 carton containing:

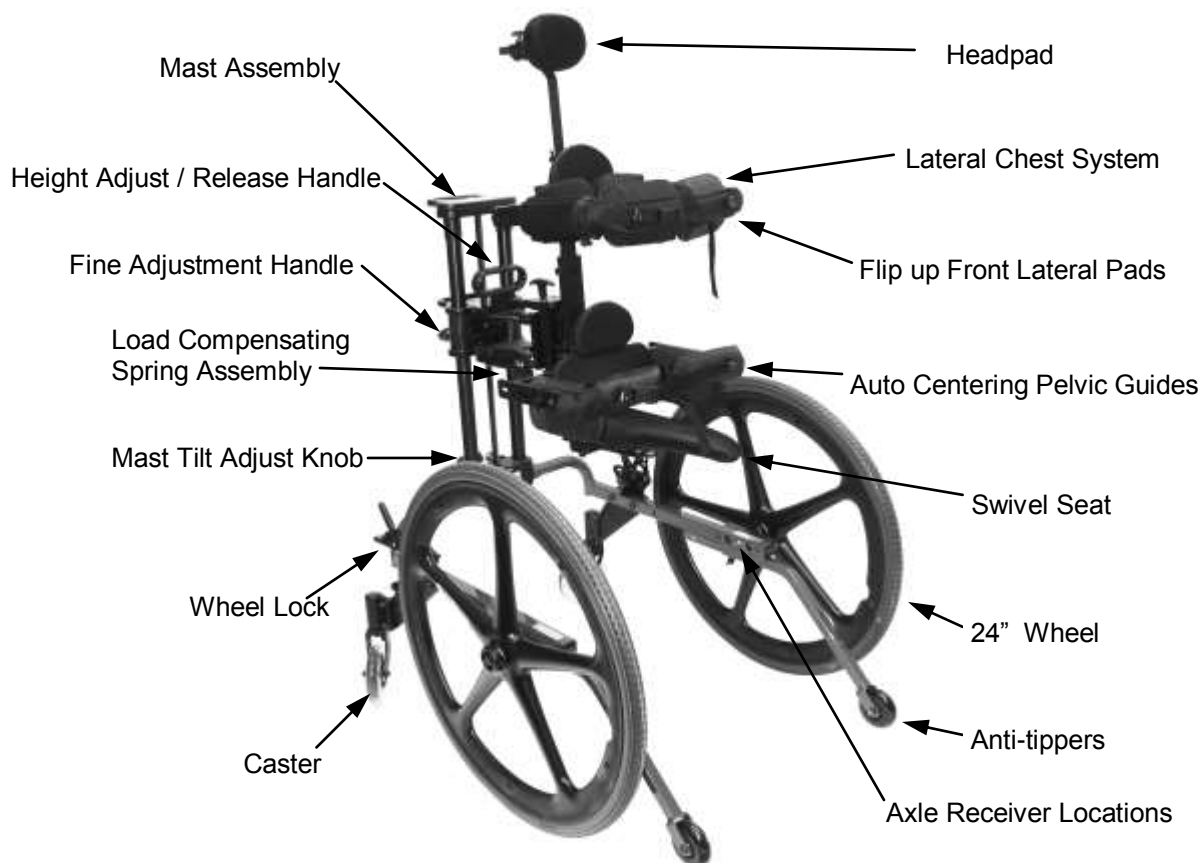
<u>Quantity</u>	<u>Description</u>
1	Base Assembly
1	Mast Assembly
2	Wheels
2*	Axles
2*	Axle Spacers

*Axles and axle spacers are in sealed poly bag enclosed with the unit.

Optional Items:

Other optional items may be packed with your *KidWalk II*. Make sure to identify any optional components in the box and any instruction sheets that go with them.

KidWalk II Component Identification



Unit shown with some optional components installed.

Intended Use and Information

1. Intended Use

KidWalk II is a gait training device that is intended to assist in teaching proper gait with the clients feet on the floor. The *KidWalk II* fits children aged approximately 5-12 years old, with a maximum client weight of 40 kg / 90 lbs..

KidWalk II is appropriate for use with any client that fits within the size restrictions of the unit and has a need for a supportive device for ambulation. *KidWalk II* is appropriate for client's taking their first steps to those clients who need to learn proper gait technique. Common diagnosis for use of *KidWalk II* include but are not limited to, Cerebral Palsy, Muscular Dystrophy, Dyplegia, Spinal Muscle Atrophy, Down's Syndrome, Spina Bifida and many more..

2. Restrictions

KidWalk II should be used on smooth even surfaces only. Maximum seat height on *KidWalk II* is 71 cm. Maximum client weight is 40 kg.

3. Warranty

The warranty applies only when the product is used according to the specified conditions and for the intended purposes, following all manufacturers' recommendations and performing regular service and inspections.

4. Product History Record

Your *KidWalk II* is a Medical device and as such should only be prescribed, set up issued or reissued for use by a technically competent person trained in the use of the *KidWalk II*. The manufacturer recommends that a written record is maintained to provide details of all set ups, reissue, product inspections and scheduled or annual inspections of the *KidWalk II*.

5. Product Training

(Parents, Teachers & Caregivers)

Your *KidWalk II* product is a Medical Device and as such parents, teachers and caregivers using the equipment should be made aware of the following sections of this owner's manual by a technically competent person:

It is also recommended that a written record is recorded below of all those who have been trained in the correct use of this product.

Person trained _____ Date _____

Trained by _____

Person trained _____ Date _____

Trained by _____

Person trained _____ Date _____

Trained by _____

Safety Information

- ❗ Always read instructions fully before use.
- ❗ Client's should not be left unattended at any time while using their *KidWalk II*.
- ❗ Only use Prime Engineering manufactured or approved components or parts with your *KidWalk II*.
- ❗ Never modify the product in any way.
- ❗ Failure to follow instructions may put the client or caregivers at risk and will void all warranties on the product.
- ❗ *KidWalk II* is not intended to carry the full weight of the client on the seat as a chair, transport or other type of activity device other than a gait trainer.
- ❗ Do Not Use the *KidWalk II* as a bouncing device, vertical movement is supported during gait but *KidWalk II* is not built as a bouncing device.
- ❗ If in any doubt to the continued safe use of your *KidWalk II* or any of its components, accessories or parts should fail, **Immediately** cease using the product and contact our customer service department or your local dealer as soon as possible.
- ❗ Perform all necessary adjustments and ensure that they are securely fastened before you put the client into the *KidWalk II*.
- ❗ While the client is in the frame all safety straps must be fastened securely.
- ❗ Never leave the product on a sloping surface, *KidWalk II* is meant to be used on flat even surfaces.
- ❗ *KidWalk II* contains components which could present a choking hazard to small children. Always check that locking knobs and bolts within the child's reach are tightened and secure at all times.
- ❗ Clean the product regularly. Do not use abrasive cleaners.
- ❗ Perform maintenance checks on a regular basis to ensure your product is in good working condition and that all fasteners are properly tightened.
- ❗ *KidWalk II* is designed for indoor and outdoor use and when not in use should be stored in a dry place without temperature extremes.
- ❗ Never Transport the client in the *KidWalk II*.

Cleaning & Care Information

Cleaning your *KidWalk II*

When cleaning the *KidWalk II* we recommend that you use only warm water and a nonabrasive detergent or a neutral disinfectant. Never use organic solvents or dry cleaning fluids.

Upholstery and fabrics:

1. The upholstery and fabrics can be cleaned by hand while in place. When cleaning we recommend that you use only warm water and a nonabrasive detergent.
2. Staining should be removed as quickly as possible with absorbent cloth, towels or a sponge. Routine soap and warm water sponging is effective for ordinary soiling and minor spills.
3. Antiseptic cleaning agents can be used on more stubborn stains. These may require a safe solvent such as Isopropyl Alcohol

4. Always ensure the product is dry before use.

Metal and plastic components

1. Soap and water or antibacterial spray can be used for daily cleaning.
2. For deep cleaning a low pressure steam cleaner can be used.
3. Do not use solvents to clean plastic or metal components.

4. Make sure the product is dry before use.

Re-Issue of Product

ⓘ *In many cases, this product may be used and then returned for use by another client. In that case the client must be evaluated for size, function and to make sure that all items are appropriately sized for the client by an experienced and trained technician. See page 17 for Re-Issue information.*

Daily Product Inspection

(Therapists, parents & caregivers)

We recommend that daily visual checks of the equipment are carried out by therapists, caregivers or parents to ensure the product is safe for use. The recommend daily checks are detailed below.

1. Check the mast is secured to the base frame and the pin is in the locked position. **Mast Lock Pin and Knob must be in it's locked position at all times during use.**
2. Ensure all adjustment knobs and bolts are in place and secure.
3. Check all upholstery for signs of wear and tear.
4. Check that the wheels are moving freely, wheel locks function properly, wheels lock securely and that the axle is fully engaged and wheel assembly and axles are locked to the frame.
5. Check all Velcro strips and brush fluff to ensure straps secure firmly. If in any doubt to the continued safe use of your *KidWalk II* product or if any parts should fail, please cease using the product and contact our customer services department or your local dealer as soon as possible.
6. Make sure anti-tippers are attached securely.
7. Anti-tips must be installed and used at all times while the *KidWalk II* is in use.
8. Anti-tips must be properly adjusted to the correct position that matches the position of the large wheels. See page 6 for additional information.
9. Ensure that the load compensating spring is adjusted correctly and functioning properly as this provides shock absorption to the *KidWalk II* mast and body support system. See page 12 for adjustment information.

General Maintenance:

- Inspect all nuts and bolts weekly and verify that they are tight and secured properly.
- Keep all moving parts free of dirt and grime to allow for free movement.

Assembly Information
for your

KidWalk II

Dynamic Mobility Device

ASSEMBLY INSTRUCTIONS

Set-up and assembly on your *KidWalk II* is easy when these directions are followed.

First:

Open carton, remove and identify the following assemblies and components.

- A Base frame assembly
- B Anti-tippers
- C Mast assembly
- D Wheels (2)
- E Bag containing axles and spacers

- **Any optional accessories (if ordered)**

Assembly Procedure:

1. Place base frame on flat surface and install anti-tippers into frame, as shown in Fig. 1.
2. Install the anti-tippers to the base frame by depressing the retaining push button "A" (fig. 2) and sliding the anti-tippers into the receiver as far as possible. Press the position setting push button "B" and slide until locking button is in the middle position as shown.

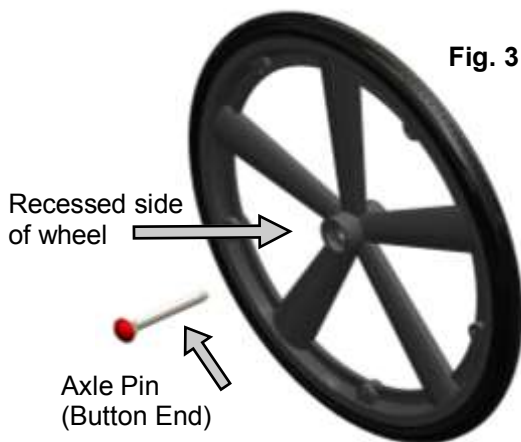
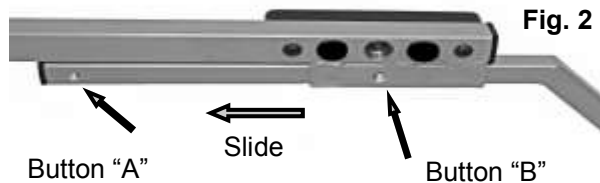
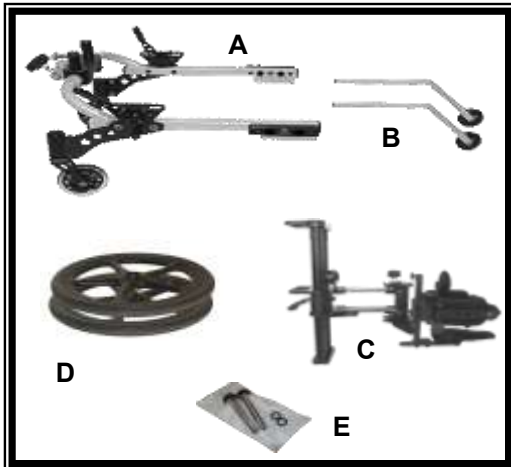
Install the Wheels

3. Mag Wheels (Standard)

Remove axles from plastic bag. Insert an axle into a wheel from the recessed bearing side (fig. 3), push in button at end of axle to allow the axle to slide through the wheel bearings and insert axle into wheel. Assemble 1 spacer onto each axle on the back of the wheel after the axle is inserted. Go to step 4

Spoke Wheels (Optional)

Remove axles and axles spacers from plastic bag. Insert one spacer onto an axle before inserting it into the wheel and then insert the axle into the wheel hub from the recessed bearing side (fig. 3). Push in the button at end of axle to allow the axle to slide through the wheel bearings and add one spacer onto the back of the axle after the axle is inserted into the wheel. Spoke wheels must be used with both spacers in place on each axle. Go to step 4

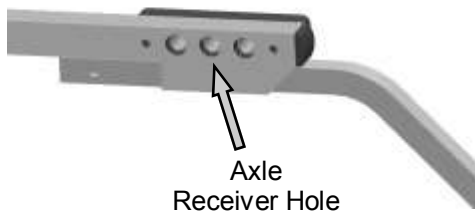


****Note: KidWalk II must be used with it's Anti-Tippers at all times. ****

Do NOT remove the Anti-Tippers or use the KidWalk II without them at any time.

ASSEMBLY INSTRUCTIONS

Fig. 4

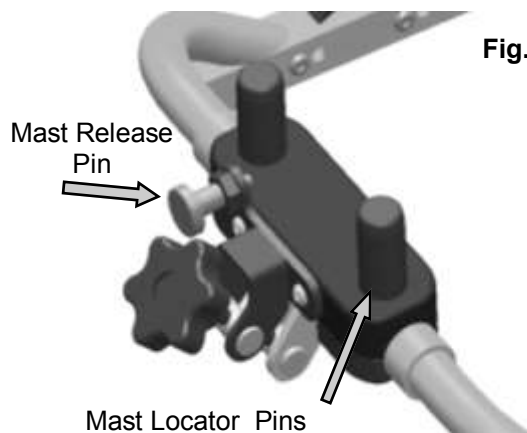


4. Locate the axle receiver locations on either side of the base frame (fig. 4). Insert the axle, with wheel attached, into the center receiver location until the axle button releases. Repeat procedure on opposite side.

Note: Make sure that the axle has fully engaged and will not pull out.

Note: Always use center location for initial setup. Wheel locks are preset for the center axle position

Fig. 5



5. Place mast assembly over locator pins on base assembly (fig 5). **Rotate locking pin until it engages into mast assembly. Make sure that the mast pin is fully engaged and holding the mast firmly to the base (fig 6).** If the mast lifts up from the base, twist the retaining pin again making sure that the pin fully engages into the mast assembly.

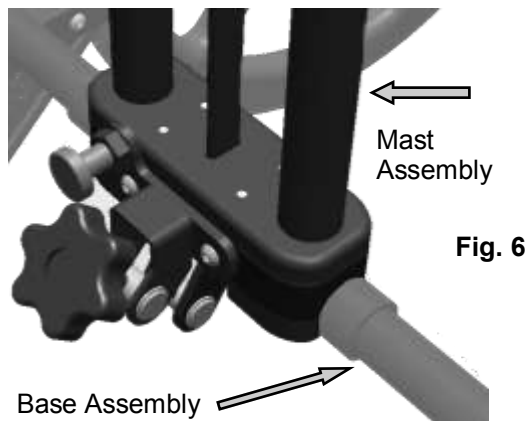


Fig. 6

Note: You may need to pull back slightly on the mast assembly to allow the mast to lock in place.

Note: Make sure that the mast is secured and locked onto the base before each use.

****Note: KidWalk II must be used with it's Anti-Tippers at all times. ****
Do NOT remove the Anti-Tippers or use the KidWalk II without them at any time.

ASSEMBLY INSTRUCTIONS

Assembly for optional accessories:

Note: If you have accessories that are not listed in this manual, the instructions for their installation and use will be packed with them.

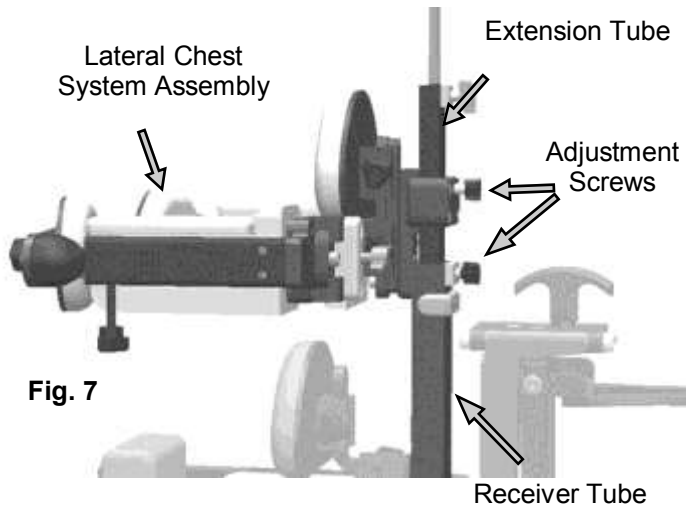


Fig. 7

Lateral Chest System

- Slide the Extension Tube into the top of the Receiver Tube. Set pads at proper heights and tighten both adjustment screws (fig. 7).

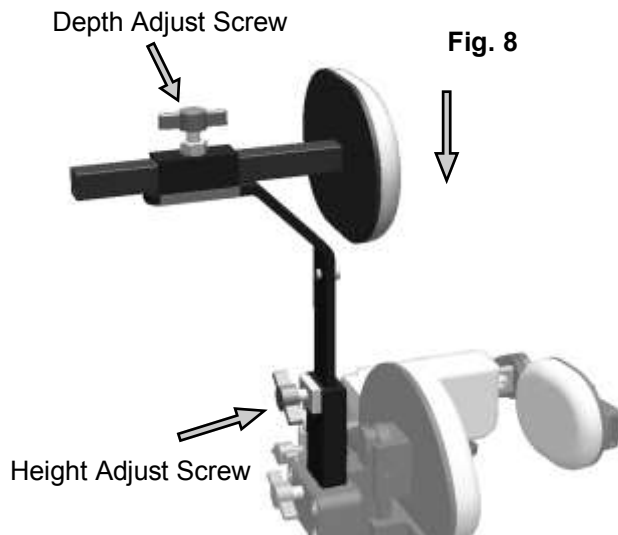


Fig. 8

Headpad or Headrest

- Insert the Headpad or the Headrest supplied with the unit into the extension tube with pad facing forward - tighten height and depth adjustment screws (fig. 8).

*****Note: KidWalk II must be used with it's Anti-Tippers at all times. *****
Do NOT remove the Anti-Tippers or use the KidWalk II without them at any time.

Measurements and Initial setup information for your *KidWalk II* Dynamic Mobility Device

KidWalk II setup should be completed by a technically and clinically competent person who has been trained in the use and setup of the product.

A written record is recommended to be maintained of all clinical set ups for this product. (See Page 4)

Recommended set up order for the *KidWalk II*:

1. Take client's measurements
2. Adjust seat height
3. Adjust the load compensating spring
4. Adjust hip support width and depth
5. Adjust lateral chest system width and depth
6. Place client into *KidWalk II*
7. Fine tune hip width and depth
8. Fine tune chest width and depth
9. Fine tune seat height
10. Adjust mast angle

MEASUREMENTS & INITIAL SETUP

Measurements:

The following measurements should be taken and recorded to properly setup *KidWalk II*:

- Inside Leg _____
- Hip Width _____
- Chest Width _____
- Thoracic Height* _____
- Head Height* _____

*Thoracic height and head height measurements should be taken from the top of the inside leg. These dimensions are needed to setup *KidWalk II* optional Lateral Chest System and/or Headpad and Headrests.

KidWalk II Initial Adjustments:

Seat Height

- Using the Height Adjust / Release Handle or the Fine Adjustment Handle (fig. 9), adjust the seat height to about 1" higher than the inside leg measurement.
- To raise the seat assembly with the Height Adjust / Release Handle, press down on the top of the mast while lifting up on the Height Adjust / Release Handle.
- To raise the seat using the Fine Adjustment, place your hand in the handle and squeeze the Lower Fine Tune handle (fig. 9). Each time you fully activate the Fine Tune handle the seat will rise up approximately 12 mm.
- To lower the seat, lift up on the T-handle to release any weight from the seat assembly and press slightly downward on the Height Adjust/Release Handle (fig. 9). Only minimal pressure is needed to lower the seat down the mast. Do not push too hard. Releasing the Height Adjust/Release Handle will stop the seat from lowering.

For safety reasons, *KidWalk II* seat height cannot be lowered while there is weight on the seat.

Other Items:

Make sure that all of the Support pads are high enough and opened wide enough to allow the client to initially easily fit within them. Adjust any optional items per the instructions included with the item.

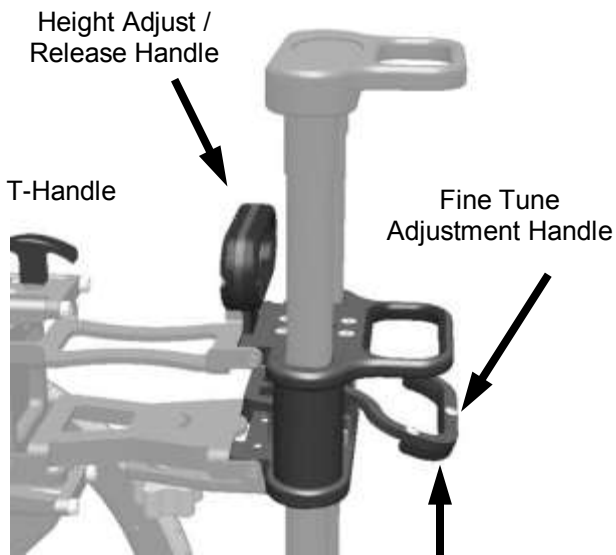


Fig. 9

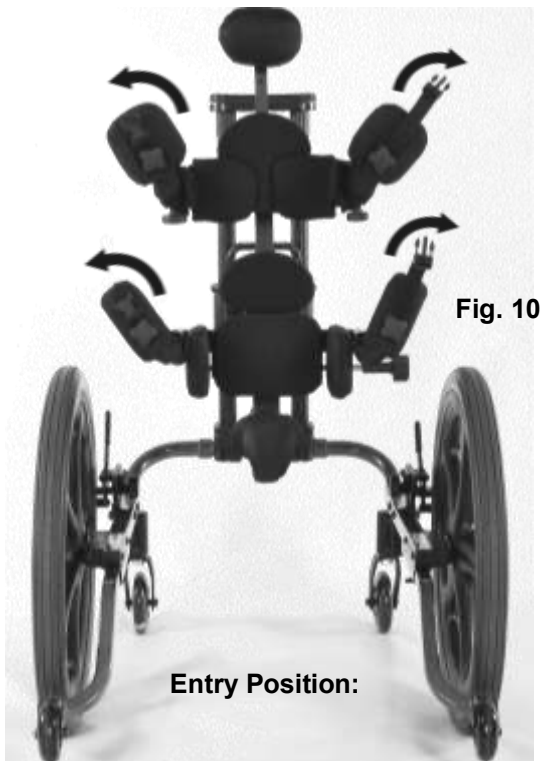


Fig. 10

Note: Never leave a client unattended while using the *KidWalk II*.

INITIAL ADJUSTMENTS

Anterior/Front Support Pads

- Flip up all front support pads upward and outward (fig. 10 and 10A) putting the *KidWalk II* into Entry Position.

Lateral and/or Side Support Pads

- Set side-to-side lateral support pad width to allow the client to fit between the pads. Hip pad width is set by turning the knob located on the outside of the hip pad assembly (client's left side, fig. 13).

Lateral Chest System (optional item)

- Loosen the width and depth adjustment knobs (fig. 11) and slide the pads out and forward enough to allow the client to fit between them. (these pads will be re-adjusted after the client has been placed into the *KidWalk II*).

Set the Load Compensating Spring Position

- Adjust the amount of vertical motion you would like in the seat by loosening the knob that holds the spring in position. Moving it towards the client will reduce the bounce and moving it away from the client toward the rear post will increase the bounce. Once this adjustment is done make sure that you tighten the knob to hold it in place. (fig. 12)

Placing the Client in the KidWalk II

- Set the wheel locks.
- Place the client in the unit making sure to slide the client's hips as far back as possible. Once the client is in, flip the front support pads down and slide them in toward the client until they are snug. Tighten the depth adjustment knobs securely (fig. 13).

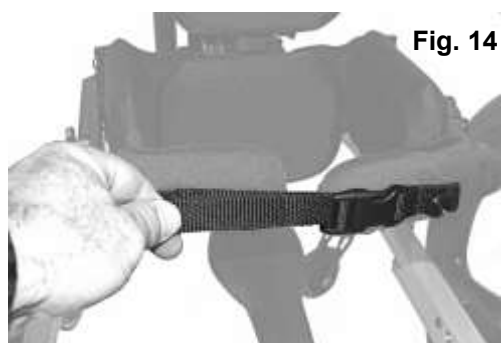
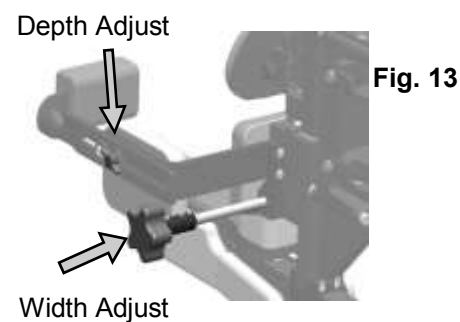
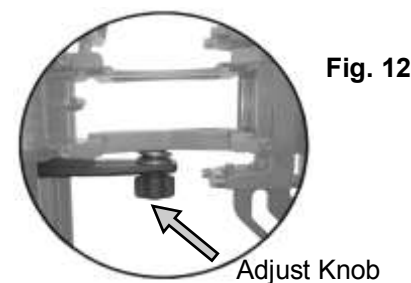
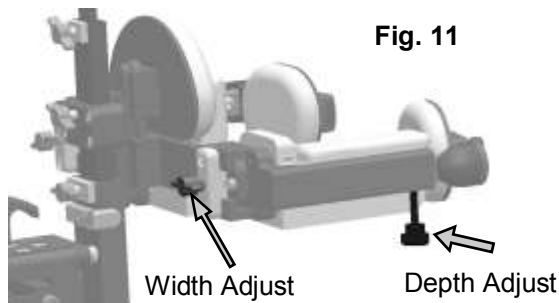
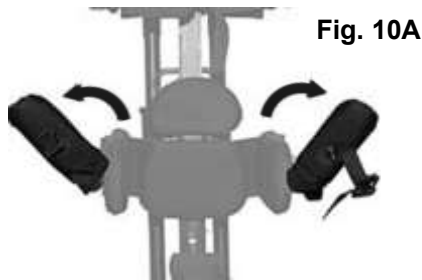
Adjust the Hip Width

- Tighten the hip assembly with the width adjust knob as needed to get a snug fit at the clients hips (fig 13).

Note: Position the client's hips back onto the seat as far as possible. The further back the client sits on the seat, the better.

Lock the pads

- Snap the buckles together and pull strap snug (fig. 14).
- Adjust and position all other support items.
- Make sure that all straps and supports are in place.



Note: Never leave a client unattended while using the *KidWalk II*.

REMOVING THE CLIENT

Removing the client:

To remove the client from the *KidWalk II*:

- Set the wheel locks.
- Squeeze the sides of the buckles on the front pads on hip assembly (and lateral chest system if used) to release (fig. A).
- Rotate the front pads upward and outward to allow clearance to exit.
- Remove any other restraint i.e.: Leg Wraps, Body Wraps, Leg Straps, if applicable.
- Lift client forward and out of unit.

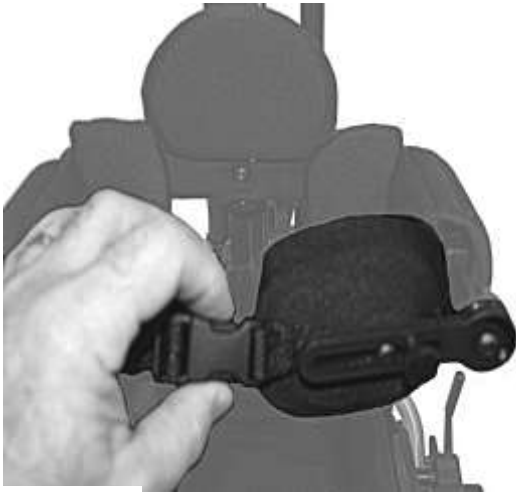


Fig. A

After removing the client:

- Make sure that all screws are tight.
- Make sure that all components are still with the system.
- Locate and properly store any removable items, i.e. Leg Wraps, Body Wraps, Leg Straps, when used and store them so they stay with the *KidWalk II*.
- Store the *KidWalk II* out of the elements.
- Wipe off any spilled fluids or food.
- Inspect all moving parts.
- Notify your dealer of any item that you see that does not look right.
- *Due to all of the moving parts on a KidWalk II and the dynamics of the system a regular visual and hands on inspection is recommended.*

Note: Never leave a client unattended while using the *KidWalk II*.

OTHER ADJUSTMENTS

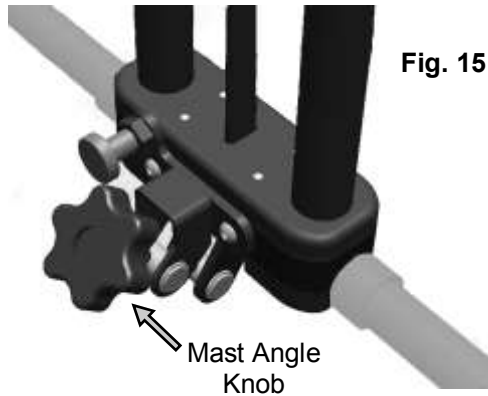


Fig. 15

Mast Angle Adjustment

KidWalk II allows for forward and rearward angle adjustment. Move the mast in small increments when adjustment is desired.

****Note:** Make sure that all support surfaces are in place and client is secured before adjusting.

- Turn the Mast Angle Knob (fig. 15) clockwise for more forward (anterior) angle and counterclockwise for rearward (posterior) angle.

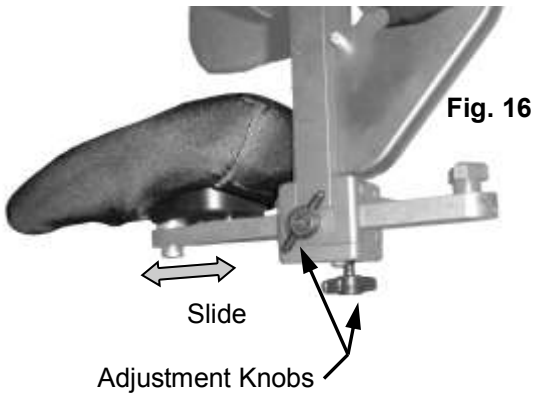


Fig. 16

Seat Depth Adjustment

- If it is necessary to alter the depth of the seat, loosen the two adjustment knobs (fig. 16). Slide the seat forward or rearward as required and re-tighten both knobs.

Note: Make sure that both screws that hold the seat are secure.

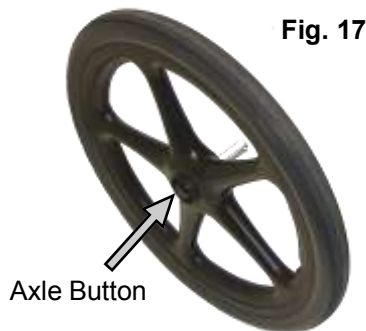


Fig. 17

Changing Wheel Position

- To move the wheels into a different location pull outward on the wheel while pressing the axle pin button (fig 17). While still pressing the axle button, insert into new location. Make sure that the axle has fully engaged and will not pull out.

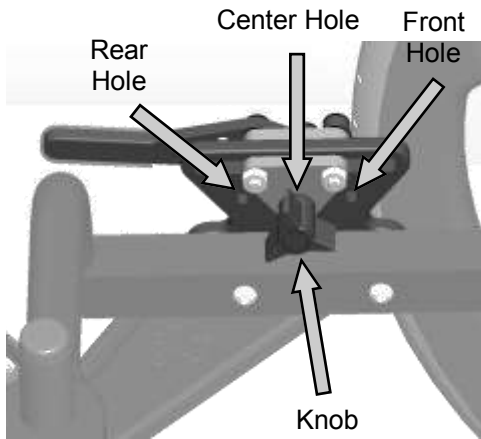
Note: Make sure that the spacer remains on the axle when removing the wheel or changing it's position.

Note: When moving the wheel on the frame, it will be necessary to move the wheel lock, (see "Changing Wheel Lock Position").

Note: Never leave a client unattended while using the *KidWalk II*

OTHER ADJUSTMENTS

Fig. 18



Changing Wheel Lock Position

- If you change the position of the large wheel, the wheel lock must be relocated.
- To change position of the wheel lock, remove the knob (fig. 18). Move the wheel lock forward or rearward to match the wheel position. Align the threaded hole for the thumb screw (fig 18) and re-install knob and tighten.

Note: Make sure the wheel locks are adjusted properly prior to use. Wheel locks must be properly adjusted at all times.

Optional Accessories:

Lateral Chest System

Height Adjustment

- Adjustment can be done by either sliding the extension tube up or down within its mounting tube, or by sliding the Lateral Chest System mount up or down on the extension tube. You can use a combination of both to achieve the desired height. Once you have them where you want them tighten the height adjustment screws (fig. 19).

Width Adjustment

- Slide pads inward, making contact with the body in the desired upper body posture and tighten width adjustment screws (fig. 19).
- Flip front support pads down and into place, snap the buckles together and pull straps snug.

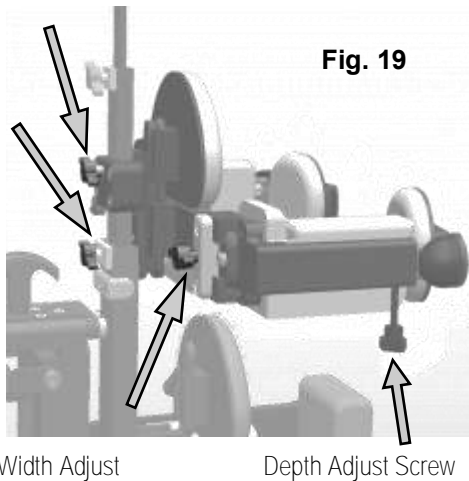
Depth Adjustment

- Adjust the depth of the front support pads to hold the upper body firmly in the desired position (fig. 19).

Headpad / Headrest

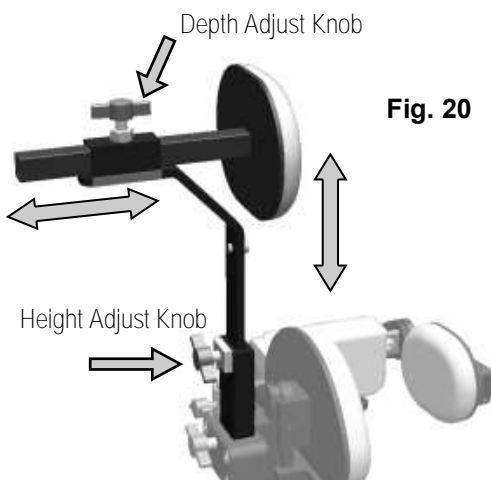
- Adjust Headpad or Headrest height and depth to desired location and tighten the adjustment knobs (fig. 20).

Height Adjust Screws



Width Adjust

Depth Adjust Screw



Note: Never leave a client unattended while using the *KidWalk II*

REMOVING THE CLIENT

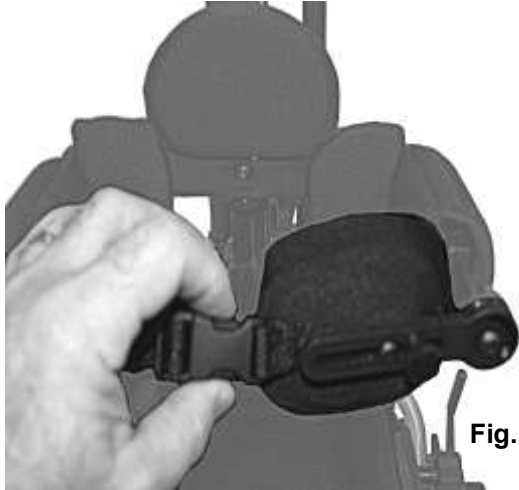


Fig. 21

TRANSPORT & STORAGE

Removing the client:

To remove the client from the *KidWalk II*:

- Set the wheel locks.
- Squeeze the sides of the buckles on the forward pads on hip assembly (and lateral chest system if applicable) to release (fig. 21).
- Rotate the forward pads upward and outward to allow clearance to exit.
- Remove any other restraint i.e.: Leg Wraps, Body Wraps, Leg Straps, if applicable.
- Lift client forward and out of unit.

After removing the client:

- Make sure that all screws and knobs are tight.
- Make sure that all components are still with the system.
- Locate and properly store any removable items, i.e. Leg Wraps, Body Wraps, Leg Straps, when used and store them so they stay with the *KidWalk II*.
- Store the *KidWalk II* out of the elements.
- Wipe off any spilled fluids or food.
- Inspect all moving parts.
- Notify your dealer of any item that you see that does not look right.
- *Due to all of the moving parts on a KidWalk II and the dynamic movement of the system, a regular visual and hands on manual inspection is recommended.*

.....

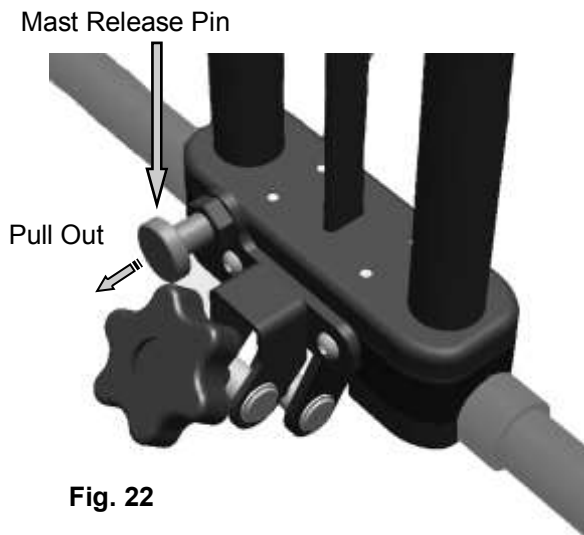


Fig. 22

Transport and Storage:

The *KidWalk II* may be disassembled for ease of transport or storage.

- The mast may be removed by pulling outward on the release pin and rotating until it is in the lockout position (fig. 22). The mast can now be lifted off of the base assembly.
- The large wheels may be removed by pressing inward on the axle pin button while pulling outward on the wheel.

Note: Make sure that any axle spacers remain on the axle when removing the wheels.

Note: Never leave a client unattended while using the *KidWalk II*

Annual Product Inspection

(Therapist, Technician, Dealer)

It is recommended that each *KidWalk II* should be subject to a detailed inspection at a minimum of least once a year and every time the product is re-issued for use. This inspection should be carried out by a technically competent person who has been trained in the use of the product and should include the following checks as a minimum requirement.

1. Verify that the seat height adjustment mechanism is locking securely.
2. Check the mast secures to the base frame and the pin moves freely into the locked position.
3. Verify that all knobs, nuts, bolts, plastic buckles and Velcro are in place and have any missing items replaced.
4. Lift the base to check each wheel individually. Make sure they are moving freely and remove any dirt from the rubber wheels.
5. Check that the brakes lock the wheels fully.
5. Visually check the structure of the product paying attention to the frame ensuring there are no signs of fatigue or cracking around the welds or on the frame.
6. Make sure that all nuts and bolts are tight and secure on all of the components.
6. Maintain a written record of all product inspections. If there is any doubt of the continued safe usability of your *KidWalk II* or if any parts should fail, cease using the product immediately and contact our customer services department or your local dealer as soon as possible.
7. Check that the mast tilt adjustment mechanism is working correctly.

Product Servicing

Servicing of any KidWalk II should only be done by technically competent persons who have been trained in the use of the product.

Reissuing KidWalk II

Most *KidWalk II*'s are ordered and sized to meet the needs of a specific individual. Before reissuing a *KidWalk II* the therapist prescribing the product should have carried out an equipment compatibility check for the new client and has ensured that the product being re-issued contains no modifications or special attachments. The actual components of the current unit should also be verified as to the correct fit for the new client as well.

A detailed technical inspection should be carried on the product prior to re-issuing. This should be carried out by a technically competent person who has been trained in the use and inspection of the product. Please refer to the Annual Product Inspection section for the required checks.

Ensure the product has been cleaned thoroughly in accordance with the Cleaning and Care section of this manual.

Ensure a copy of the Owner's Manual is supplied with the product. If one is not with the unit you can request one from Info@primeengineering.com or your supplying dealer.

A written record should be maintained of any and all product inspections and changes done during any reissue of the *KidWalk II*.

If in any doubt to the continued safe use of your *KidWalk II* or if any parts should fail, please cease using it immediately and contact our customer service department or your local dealer as soon as possible.