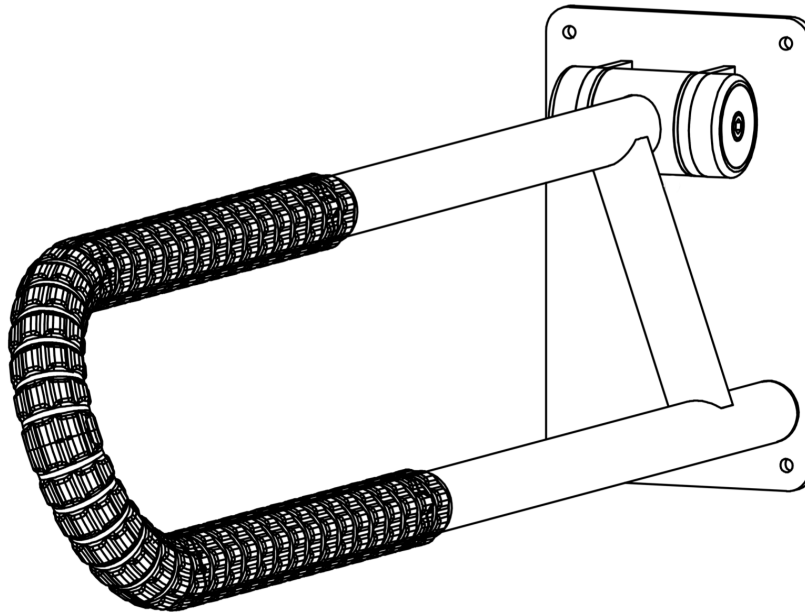


# KRATOS-BIA HINGED GRAB BAR with SafetyGrip®

KBSG775



KBSG775 R

## Safety Information

**!** **WARNING: ENTRAPMENT HAZARD.** Entrapment of head, neck, limb or torso can occur in gaps between the Pole and furniture and/or fixtures. Entrapment could result in death or serious injury.

When positioning the Hinged Grab Bar, ensure the gap between it and any fixtures and/or furniture comply with Entrapment Guidelines which state that gaps must be less than 4.75" (12cm) or greater than 12" (30cm).

**!** **IMPORTANT:** If you are unsure that you can install this product correctly, hire a qualified professional.

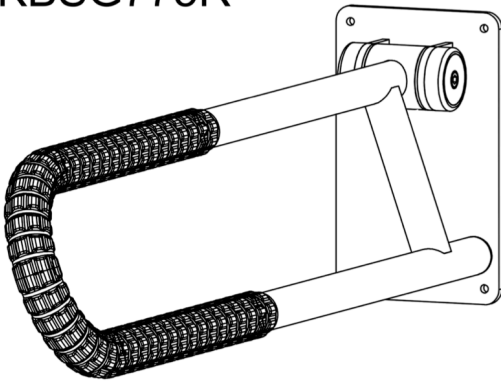
## Tools Required

- Safety Glasses
- Power Drill.
- 5/32 inch drill bit for pilot holes for the wood screws.
- Philips screw driver.
- Pencil

# KIT CONTENTS

**NOTE: This Kit will have One only Right Side or One only Left Side**

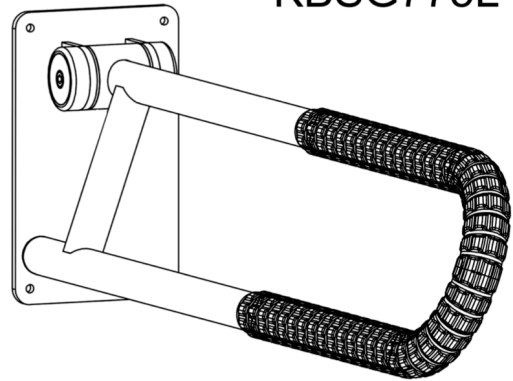
**KBSG775R**



**RIGHT SIDE**

**OR**

**KBSG775L**



**LEFT SIDE**



**#14 WOOD SCREWS**



**HEX KEY**

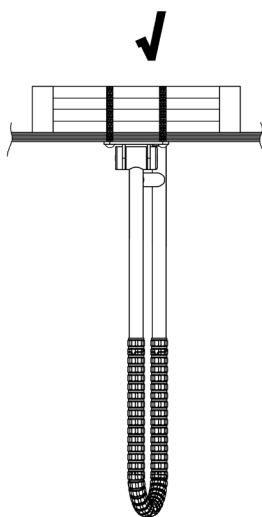
# PRODUCT INFORMATION

- This KBSG775 SafetyGrip® Hinged Grab Bar comes with our patented Interlocking SafetyGrip®.
- This KBSG775 is protected with AlphaSan® technology, which provides lasting protection against microbial contamination.
- Our advanced design uses an offset Grab Bar system to give your wrists more support when you are sitting down or standing up.

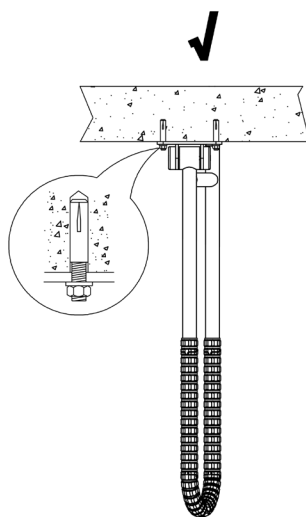
# INSTALLATION

## Wall Requirements

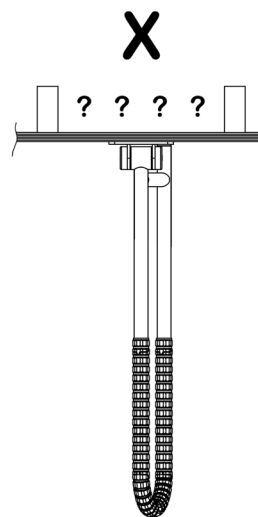
- The KBSG775 Safety Grip® Hinged Grab Bar is designed to assist with balance, positioning and stability support for persons weighing up to 350lbs (158kg). **It is not designed or intended to take the full weight of the user.**
- For heavy use or higher weight capacity we recommend that two KBSG775 are used, one on either side of the user.
- The KBSG775RH is installed on the right side of the toilet or chair etc. when the user is seated. The KBSG775LH is opposite.
- The KBSG775 must be installed onto walls that are structurally sound and strong. Add wood blocking if required. **See 1.**
- When installing onto concrete walls the correct fasteners or anchor bolts must be used. (not supplied in this kit) **See 2.**
- Do not install onto walls when the structure behind the wall is unknown. **See 3.**
- Do not install onto metal stud walls. **See 4.**
- When raising the Hinge Grab Bar for storage be aware of, and use caution, for potential pinch points at the hinge area and between the arm and the wall.



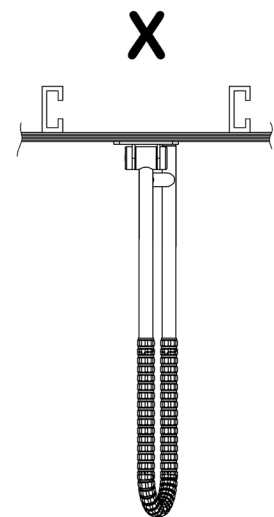
BLOCKING  
1



CONCRETE  
2



UNKNOWN  
3



STEEL STUDS  
4

### STEP 1: Find What Is Behind Your Wall Panelling

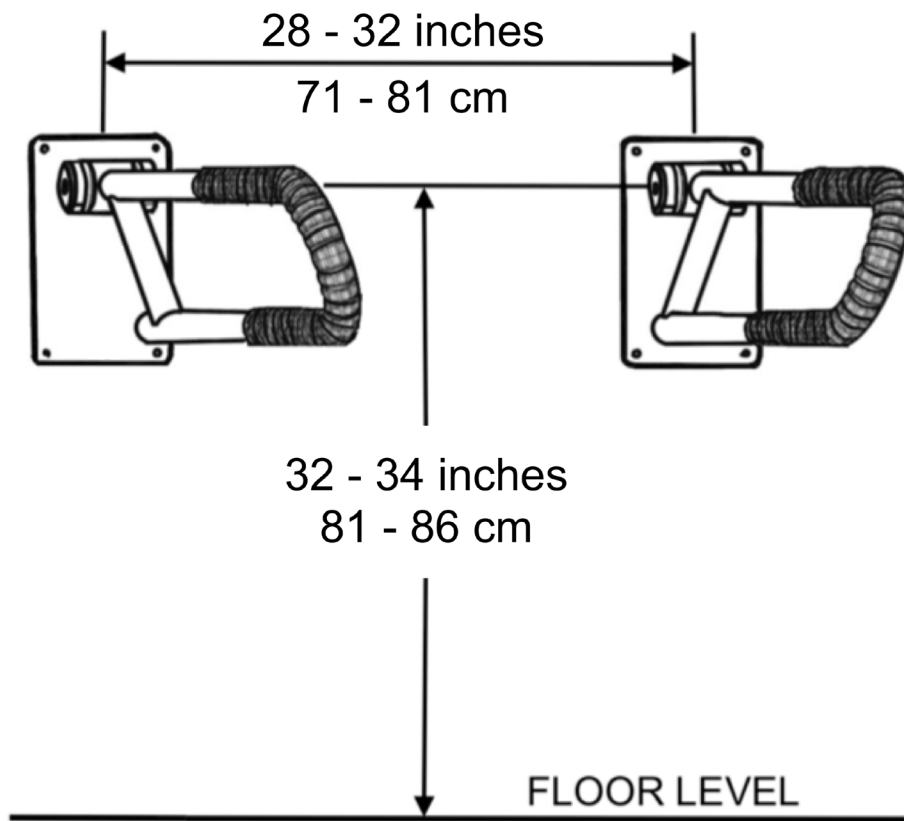
First put on safety glasses. Be sure that you know what is hidden behind your wall panelling where you want to mount your hinged grab bar. **See Illustration 1.**

### STEP 2: Choose What Mounting Option For Your Hinged Grab Bar

**Illustration 1** has suggestions to help you.

### STEP 3: Decide How High And Wide You Want The Grab Bar

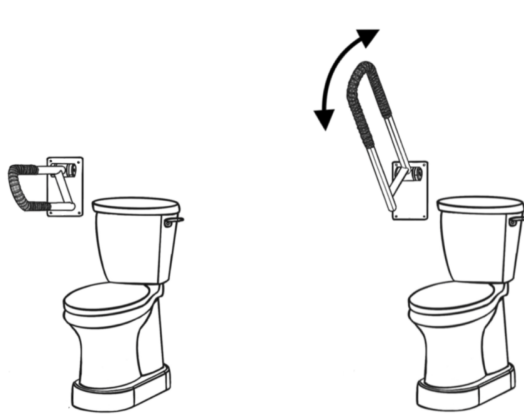
Now you can decide how high that you want the Hinged Grab Bar to be from the floor. The top arm should be a comfortable height for the user when they are standing.



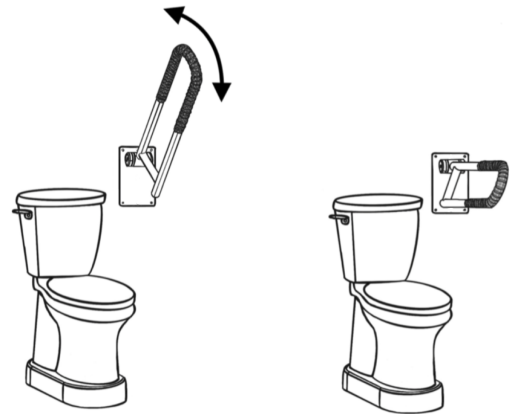
**ILLUSTRATION 2**

## STEP 4: Install the Hinged Grab Bar

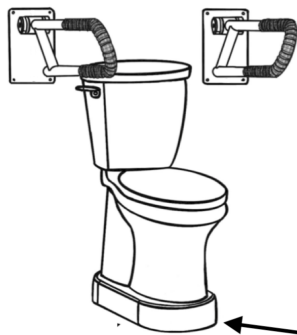
Securely and correctly install according to your mounting choice.



**SG775RH**  
RIGHT HAND

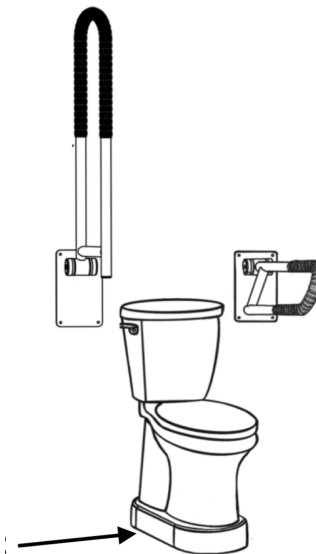


**SG775LH**  
LEFT HAND



**SG775RH & SG775LH**

**Atlas-Toilevator  
or  
Atlas-Toilevator HD**



**ARM IN STORED POSITION**

## STEP 5

- In these positions we also show our Atlas-Toilevator and Atlas-Toilevator HD, which will raise your toilet seat to the ADA recommended height, very discreetly. These products also make it easier to sit onto and get up from the toilet.
- The above positions all show the KBSSG775 being used with a toilet. They can also be of assistance to users for sitting onto and getting up from sofas, easy chairs, regular chairs etc.

# MAINTENANCE AND CLEANING

- This installation can loosen with use. Check and tighten weekly.
- The Friction Hinge on the KBSG775 can loosen after some use. Use the Hex Key provided to tighten the friction hinge adjusting screws, one each side of the hinge, until it moves smoothly and stays up where you want it. **See Illustration 3.**
- To clean, simply wipe with a clean cloth and any commercially available cleaning solution.

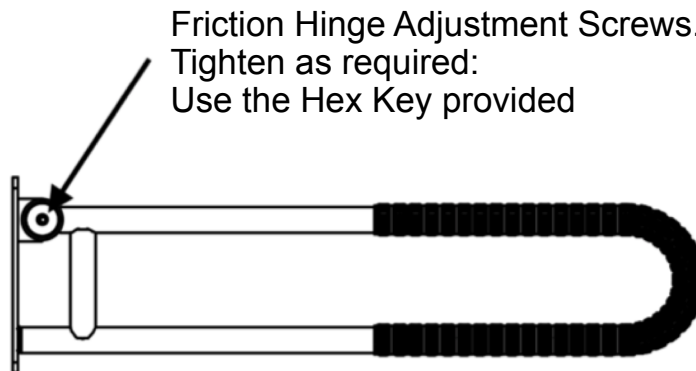


ILLUSTRATION 3

## LIMITED WARRANTY

Hartmobility Inc. product(s) are covered by a limited lifetime parts warranty. This warranty covers against defects in design and workmanship. Hartmobility Inc. will correct any defects in parts or workmanship at no charge.

The warranty does not cover product failure due to installation error, owner misuse, abuse, negligence or normal wear and tear.

For more information on what our Limited Lifetime Warranty covers and does not cover, please visit the Hartmobility Inc. website at [www.Hartmobility.com](http://www.Hartmobility.com) or scan the following QR Code.

