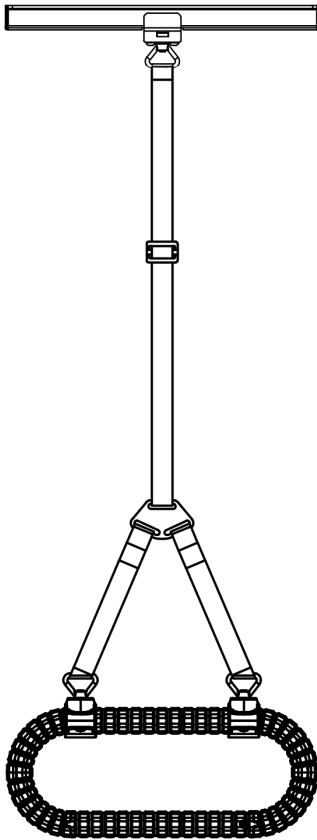


# KRATOS HYGEIA TRAPEZE with SafetyGrip®

KHSG706



## Safety Information

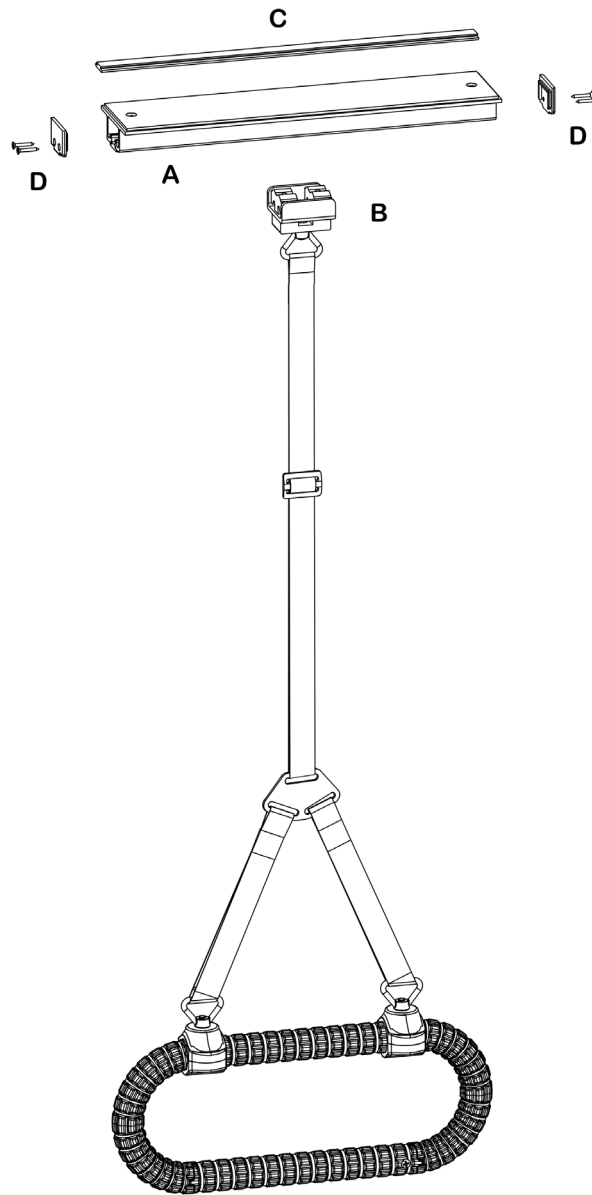
**!** **IMPORTANT:** If you are unsure that you can install this product correctly, hire a qualified professional.

## Tools Required

- Step ladder.
- Safety Glasses.
- Stud Finder.
- Power Drill
- 5/32 inch drill bit
- Drill bit to suit hardware for Option3 if required
- Strong scissors or a fine tooth saw.
- Philips screw driver.
- Pencil

# KIT CONTENTS

For regular installations you will need a Step Ladder, Safety Glasses and other tools required are included in the Kit.



## Tools Included



#14 WOOD SCREWS



HEX KEY

# PRODUCT INFORMATION

This KHSG706 SafetyGrip® Ceiling Mounted Trapeze comes with our patented Interlocking SafetyGrip®.

The KHSG706 is protected with AlphaSan® technology, which provides lasting protection against microbial contamination to all Hart Mobility products, delivering unrivaled anti-microbial performance.

- This Ceiling Mounted Trapeze is an assistive device that may be affixed to structurally sound ceilings.
- It is your responsibility to ensure that this Ceiling Mounted Trapeze is correctly installed and maintained as per these **ASSEMBLY INSTRUCTIONS** provided.
- This Ceiling Mounted Trapeze is designed to assist with exercise, balance, sitting up, positioning and stability for persons weighing up to 350lbs (158kg) and is not designed to bear the full weight of the user.
- The Trapeze strap is adjustable to allow you to adjust the height of the Trapeze to where you want it.

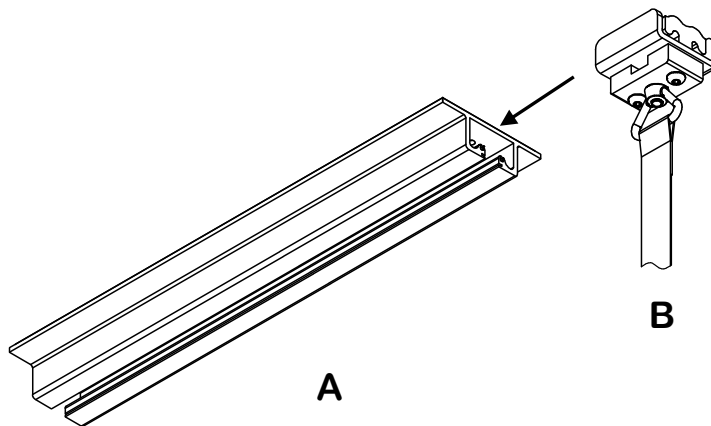
## INSTALLATION

### Floor & Ceiling Requirements

This Ceiling Mounted Trapeze Assembly must only be installed in locations where the construction of the ceilings are structurally sound.

### STEP 1: Join the Ceiling Channel Assembly with the Pole Upper Tube

First put on safety glasses and then you must partly assemble the Ceiling Channel. Take Part B and slide it into the end of the Ceiling Channel part A. Tighten the two BHC Bolts in Part B to secure Part B while you are assembling the Ceiling Mounted Trapeze.



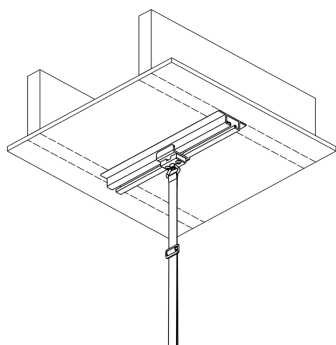
STEP 1

## STEP 2: Locate the Ceiling Joists.

### OPTION 1:

Mount Ceiling Channel spanning two ceiling joists;

Locate the joists behind the ceiling membrane and mark them. Using a stud finder is recommended.



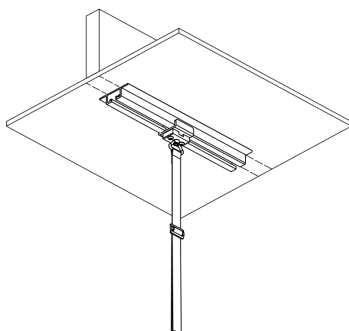
### OPTION 1

SPANNING TWO JOISTS

### OPTION 2:

Mount Ceiling Channel lengthways along one joist;

Locate the joist behind the ceiling membrane and mark it. Using a stud finder is recommended.



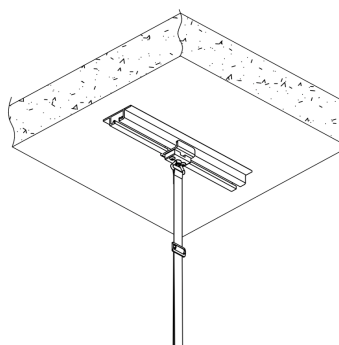
### OPTION 2

LENGTHWAYS ON ONE JOIST

### OPTION 3:

For Solid Construction Ceilings;

Solid Ceilings are common in apartment buildings. The Trapeze can be mounted anywhere on this type of construction. The fasteners for this option are not supplied.



### OPTION 3

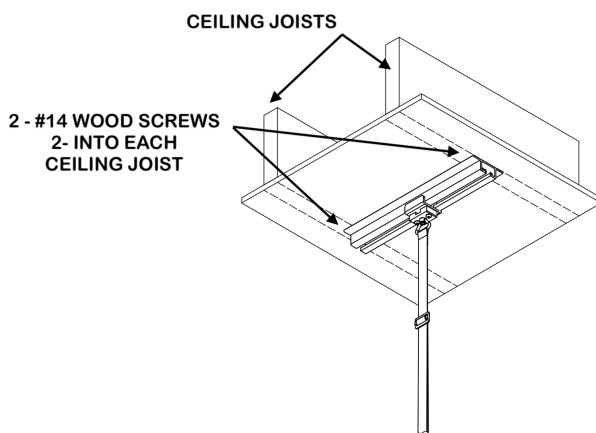
SOLID CONSTRUCTION CEILING

## STEP 2

## STEP 3: Screw the Ceiling Channel to the Ceiling Joists or Solid Ceiling:

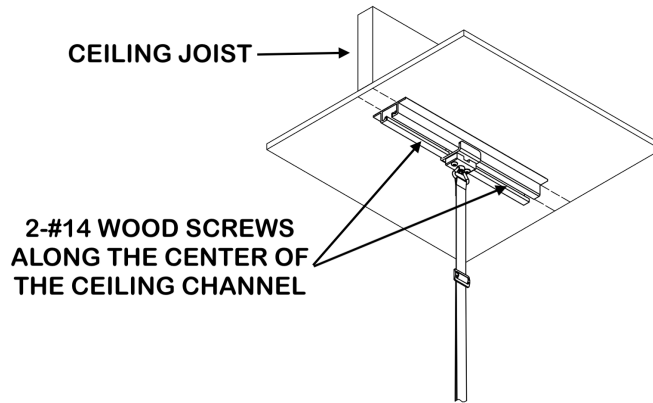
### OPTION 1: Mount Ceiling Channel spanning two ceiling joists:

Move the Ceiling Channel Assembly until it is spanning the two rafters that you marked and will attach to. Mark the two holes through the Channel, one each end. Move the Channel and drill 5/32 inch pilot holes for the wood screws. Put the Channel back into position and screw the Channel to the Joists using the wood screws supplied.



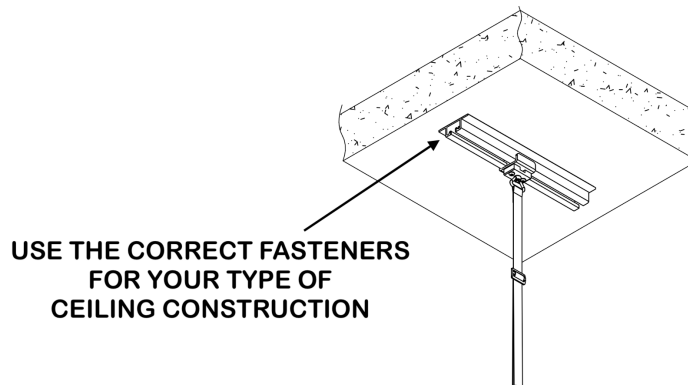
**OPTION 2: Mount Ceiling Channel lengthways along one joist:**

Move the Ceiling Channel Assembly until it is along the joist that you marked and will attach to. Mark the two holes through the center of the Channel. Move the Channel and drill 5/32 inch pilot holes for the wood screws. Put the Channel back into position and screw the Channel to the Joist using the wood screws supplied.



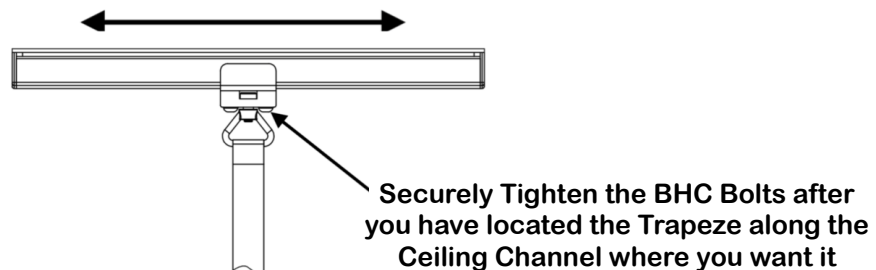
**OPTION 3: For Solid Construction Ceilings:**

Locate the Channel where you wish to attach the Trapeze. Mark the four holes through the Channel, two each end. Move the Channel and drill the holes to suit the hardware that you have selected to screw the Channel to the Ceiling. Put the Channel back into position and securely attach the Channel to the Ceiling.



**STEP 4: Trapeze Alignment:**

Decide where you want the Trapeze located along the Channel and then securely tighten the two BHC Bolts in the Sliding Channel. Finally securely tighten the Bolt and Nut in the angle hinge.

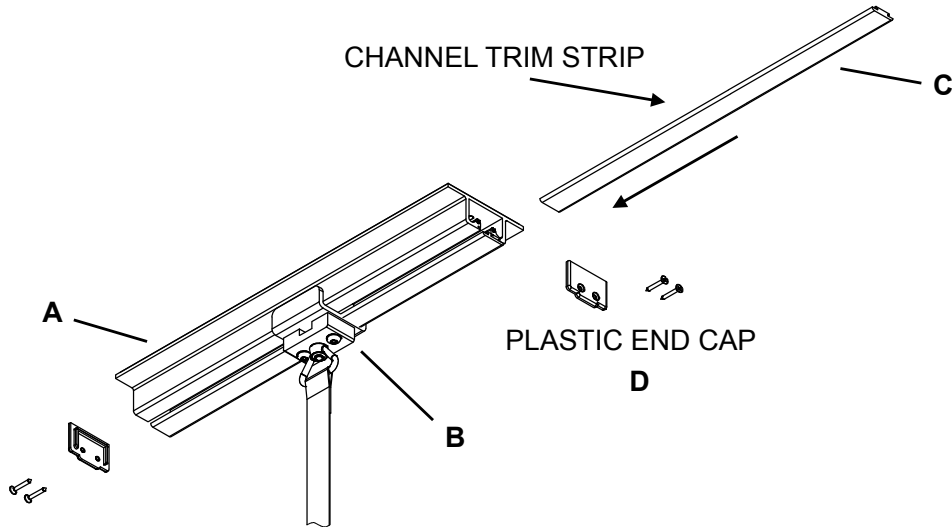


**STEP 4**

## STEP 5: Add the trim parts to the Ceiling Channel:

Take the Channel Trim Strip Part C, and slide into one end of the Ceiling Channel Part A. Mark it at the end of the channel, cut where the mark is and slide it back into the channel. Repeat this on the other side of the channel. Now screw the two plastic End Caps Part D onto each end of the channel using a philips screw driver.

**Installer Note:** You can cut the Channel Trim Strips using strong scissors or a fine blade hack-saw.



STEP 5

## MAINTENANCE AND CLEANING

- The Ceiling Mounted Trapeze could loosen with use. It should be checked weekly.
- To clean your Trapeze, simply wipe with a clean cloth and any commercially available cleaning solution.

## LIMITED WARRANTY

Hartmobility Inc. product(s) are covered by a limited lifetime parts warranty. This warranty covers against defects in design and workmanship. Hartmobility Inc. will correct any defects in parts or workmanship at no charge.

The warranty does not cover product failure due to installation error, owner misuse, abuse, negligence or normal wear and tear.

