

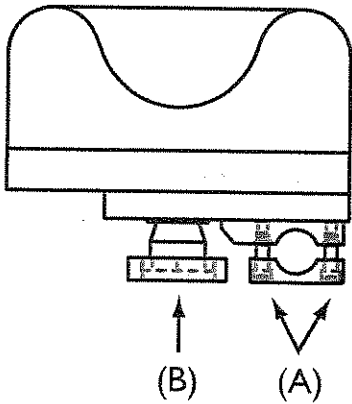


SAMMONS
PRESTON

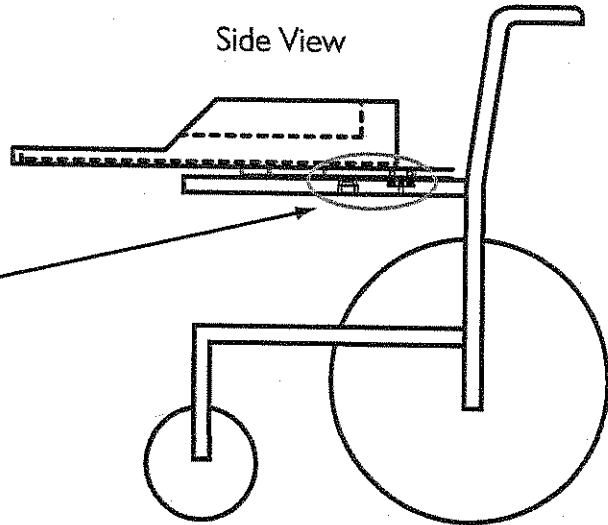
Arm Mounting Assembly

Installation Instructions

Front View (enlarged)



Side View



NOTE: Make sure the two screws are tightly clamped.

STEP 1:

Remove existing armrest from wheelchair.

STEP 2:

Take the 2 screws (A) out of bottom 1/2 of clamp. Mount top half of clamp that is connected to base plate to top of arm rest tube, reinstall bottom clamp with screws.

Swivel Base Models

STEP 1:

To adjust angle or swing tray out of the way, loosen adjustment knob (B) and move tray to desired position.

STEP 2:

Tighten adjustment knob.

