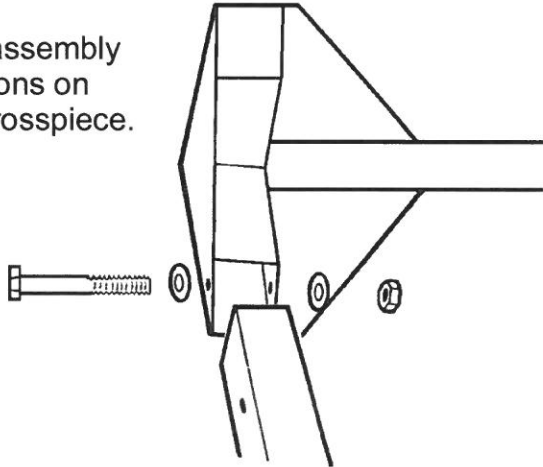
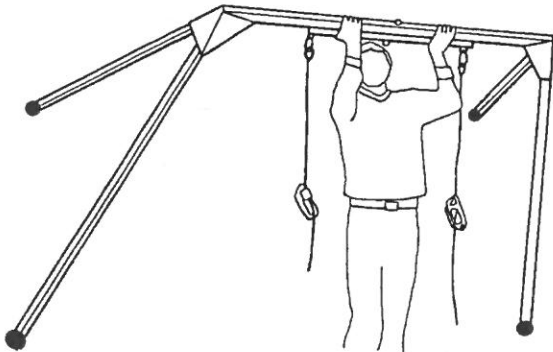
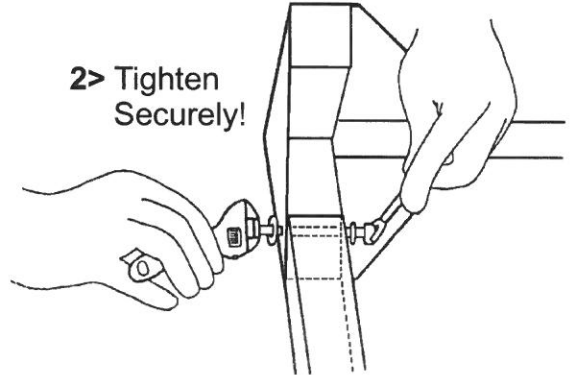


Assembly Instructions

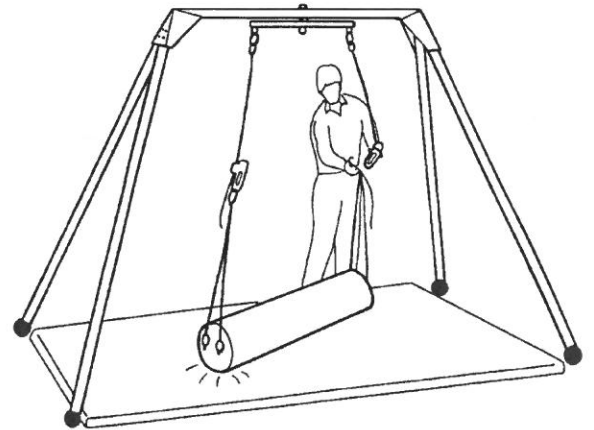
1> Follow assembly instructions on frame crosspiece.



2> Tighten Securely!

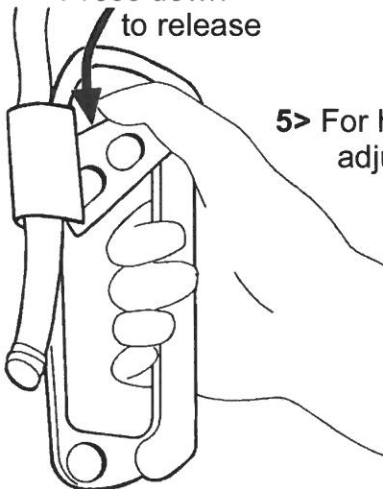


3> Lift into upright position.



4> With mat in place attach appropriate swing.

Press down to release



5> For height adjustment



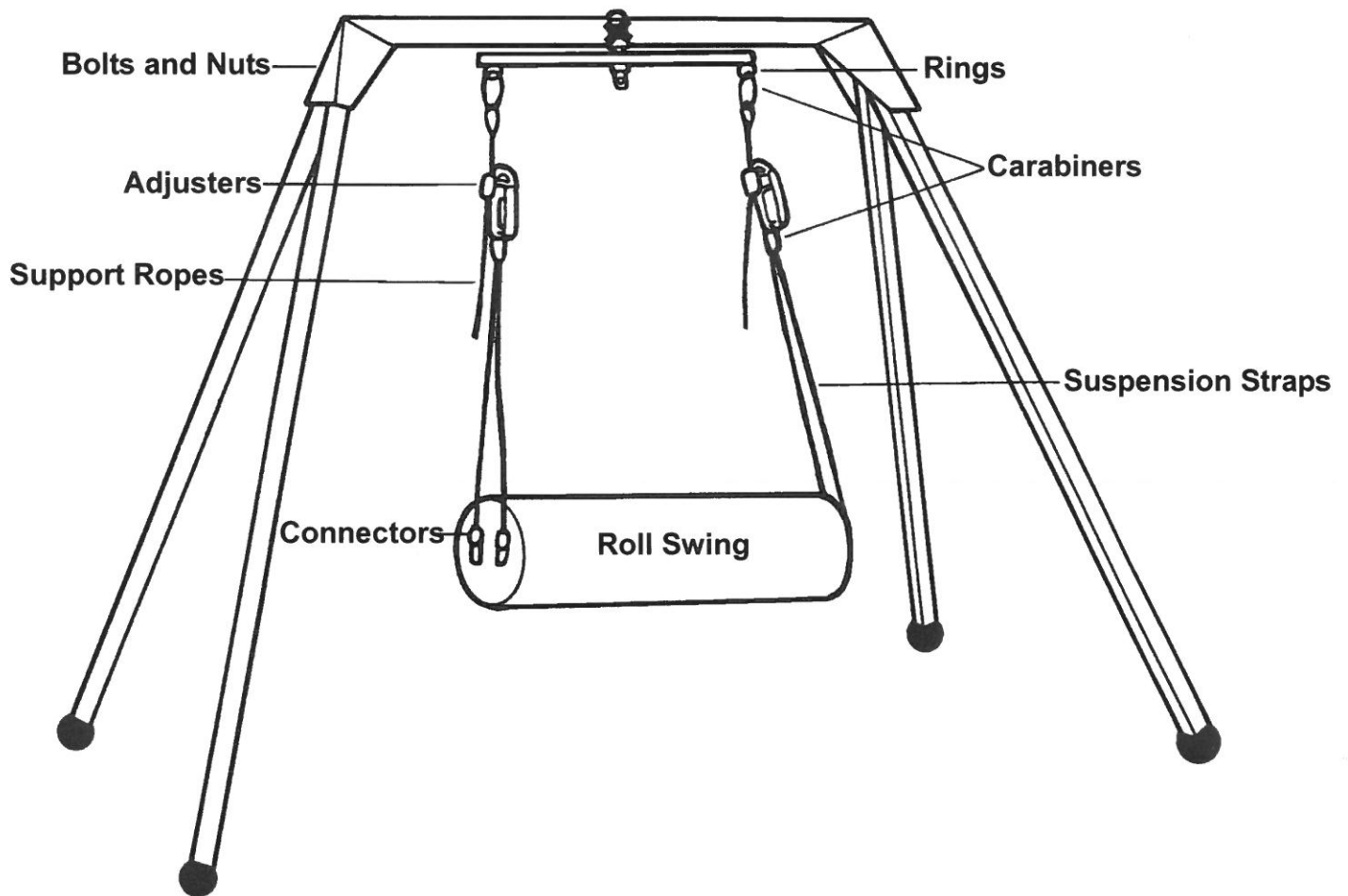
6> Adjust height and position client

Vestibulator II[®] Safety Note

Tumble Forms 2 Deluxe Vestibulator II frame has a working load of 300 lbs.
Tumble Forms 2 Vestibulator II should be used only with Tumble Forms 2 Accessories including the following:

2772P - Platform Swing
2772D - Flexi Disk
2772H - Roll Swing
2772N - Prone Net Swing

2772S - Net Swing with Positioning Seat
5568-23 - 36" Horse Roll
5568-24 - Free Swing
5568-25 - 5' Platform Swing



Use floor mats. Never leave your client unattended. **Please check your equipment regularly and replace any parts that show excessive wear. If there is any question of your client's safety, don't take a chance.**

Recommended for use under the supervision of a healthcare professional.

Manufactured for:

MADE IN THE USA

LIT 47



W68 N158 Evergreen Blvd.
Cedarburg, WI 53012

For Replacement Parts

Call toll free:

1-800-323-5547

In Canada call 1-800-655-9200

