



LF2020 EASY LIFT SIT-TO-STAND

LF2090 BARIATRIC EASY LIFT SIT-TO-STAND



USER MANUAL

LF2020-INS-LAB-RevD13
© 2013 GF Health Products, Inc.

Read this manual before operating your Easy Lift Sit-to-Stand.

Save this manual for future use.

CONTENTS

1	INTRODUCTION.....	3
2	SAFETY PRECAUTIONS.....	4
	WARNINGS	4
3	FEATURES	6
	EASY LIFT SIT-TO-STAND FEATURES	6
	CONTROL BOX FEATURES	6
4	HANDLING PROCEDURES.....	7
	SHIPPING AND TRANSPORTATION INSTRUCTIONS.....	7
5	ASSEMBLY INSTRUCTIONS.....	8
	CHARGING THE BATTERIES.....	9
	CHECKING BATTERY CAPACITY	9
	ALARM BUZZERS.....	9
6	OPERATING INSTRUCTIONS	10
	LIFTING THE PATIENT.....	11
7	CARE AND MAINTENANCE.....	13
	BEFORE EACH USE	13
	AT LEAST ONCE A MONTH	13
	LUBRICATION	13
	CLEANING.....	13
	CARE OF SLINGS	13
	MAINTENANCE SCHEDULE	14
8	TROUBLESHOOTING.....	15
9	SPECIFICATIONS	16
10	LIMITED WARRANTY	17
11	INDEX	19

1 INTRODUCTION

Congratulations on your purchase of the Lumex LF2020 Easy Lift Sit-to-Stand (STS) / LF2090 Bariatric Easy Lift Sit-to-Stand (STS). The following pages will provide you with important safety and operating instructions on the use of patient lifts, slings, and accessories, as well as maintenance and warranty information. Read this manual carefully before operating your patient lift and refer to it as often as needed. Consult your authorized distributor and/or healthcare professional with any questions or concerns regarding safe and effective techniques for operating your patient lift.

DO NOT attempt any transfer without prior approval of the patient's healthcare provider. With their assistance, select the sling that best serves the needs, abilities, comfort and safety of the person being lifted. It is important that you use correct slings adapted to the body shape and weight and ability of the patient and the specific type of transfer needed.

Upon receipt of the patient lift, and prior to each use, inspect it closely to ensure that nothing is damaged, there are no loose or broken parts, that all patient lift parts are in the proper place, etc. Immediately replace any worn or broken components. Your patient lift should receive maintenance on a regular schedule and should be inspected daily for proper operation. Contact your Graham-Field authorized distributor for service and repairs.

Before lifting anyone, thoroughly read the instructions in this manual. Ideally, observe a team of trained experts performing the lifting procedures. The operator should then practice the entire lifting procedure several times with proper supervision and with a capable individual acting as patient. It is extremely important to know how a patient will feel in the patient lift. We suggest that the operator try all the various lifting slings and equipment until the operator is confident with how the patient lift operates. The lifting procedures should be explained to the patient before the actual lifting. Remember that safety requires the constant attention of the lift occupant and the operator. Use extreme care and common sense when operating a patient lift.

This guide covers the use of the LF2020 Easy Lift STS / LF2090 Bariatric Easy Lift STS. Keep in mind that the basic safety procedures included in this manual are to be used as a guide only. You may find it necessary to develop your own unique methods for safely utilizing the patient lift. Again, consult your healthcare professionals for their recommendations and never hesitate to ask for their assistance.

Info: Before attempting to assemble the patient lift, refer to the section titled "ASSEMBLY INSTRUCTIONS" contained elsewhere in this manual. Contact your Graham-Field authorized distributor if additional assistance is needed.

Info: In this manual, the person being lifted is referred to as the "patient" or "occupant" and the person operating the patient lift is called the "operator" or "attendant".

Intended use

The Lumex LF2020 Easy Lift STS / LF2090 Bariatric Easy Lift STS is intended to aid in the transfer of an individual who is unable to independently transfer between bed, chair, bathtub, wheelchair, and/or commode.

⚠ WARNING: The LF2020 Easy Lift STS / LF2090 Bariatric Easy Lift STS is designed for transfer only (to and from bed, chair, bathtub, toilet, wheelchair, commode etc.). This Patient Lift is not intended to be used for transporting or moving a patient from one location to another.

⚠ WARNING: The LF2020 Easy Lift STS / LF2090 Bariatric Easy Lift STS is designed for use by individuals who can support the majority of their own weight. Special care must be taken with patients who cannot provide assistance while being lifted. (i.e. such as patients who are comatose, spastic, agitated or otherwise severely disabled).

2 SAFETY PRECAUTIONS

IMPORTANT: Before using patient lift, please read and adhere to the following safety precautions and warnings. Failure to do so could result in serious personal injury or damage to your patient lift.

Always consult your healthcare professional to determine safe methods most suitable for your individual abilities. Protect yourself, your attendant and patient lift by having it serviced regularly. If you experience any malfunction, contact your Graham-Field authorized distributor immediately, as a hazardous condition could result, causing personal injury or damage to your patient lift.

Periodic inspection, adjustment and replacement of worn parts are necessary to provide years of excellent service. Refer to *CARE AND MAINTENANCE* section of this manual.

Maintenance **MUST** be performed by qualified personnel **ONLY**.

Significance of safety statements

Please note the following special statements, used throughout this manual, and their significance:

- ⚠ WARNING: Indicates a potential hazard situation or unsafe practice that, if not avoided, could result in death or serious personal injury.**
- ⚠ CAUTION: Indicates a potential hazard situation or unsafe practice that, if not avoided, could result in minor or moderate personal injury.**
- ▲ NOTICE: Indicates a potential hazard situation or unsafe practice that, if not avoided, could result in product or property damage.**

Info: Provides application recommendations or other useful information to ensure that you get the most from your product.

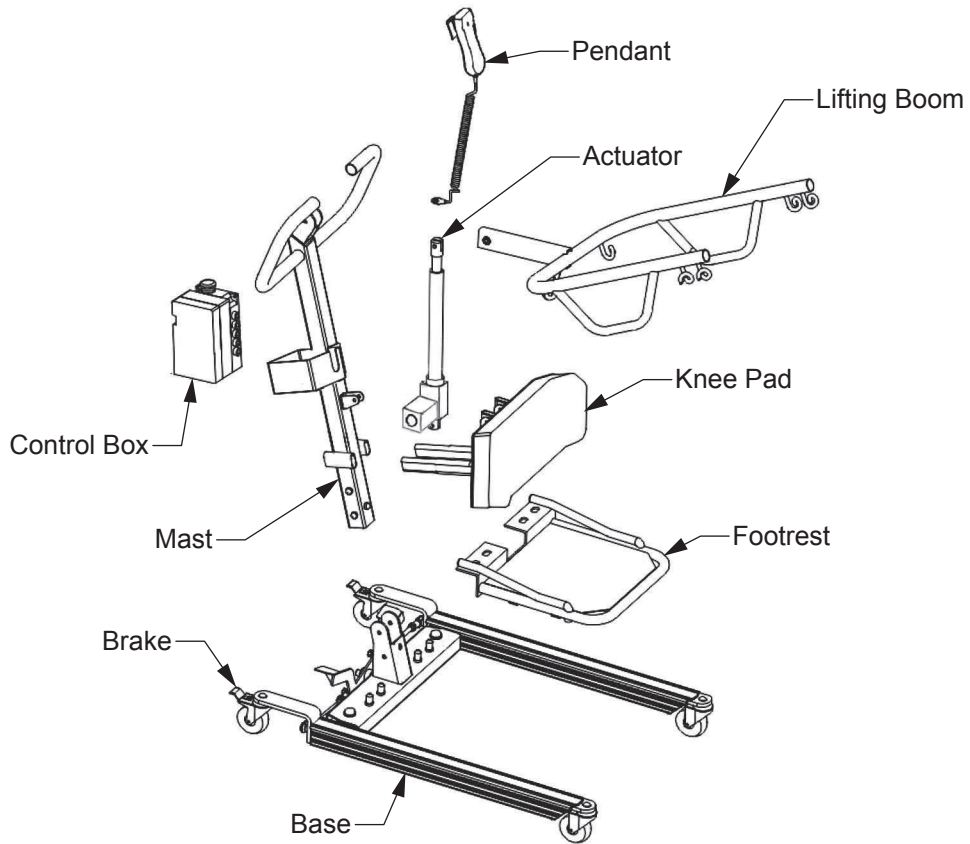
WARNINGS

- ⚠ WARNING: Important! Read and understand these instructions before assembling or using the Lumex LF2020 Easy Lift STS / LF2090 Bariatric Easy Lift STS. If you do not understand any part of these warnings, cautions or instructions, contact a healthcare professional for direction in the use of this product. If the Lumex LF2020 Easy Lift STS / LF2090 Bariatric Easy Lift STS is not properly assembled, personal injury and damage to the LF2020 / LF2090 could result.**
- ⚠ WARNING: If components are damaged or missing, contact your Graham-Field authorized distributor immediately. DO NOT use substitute parts. Use only Lumex replacement parts. The use of non-Lumex replacement parts could cause personal injury, property damage, and void the warranty.**
- ⚠ WARNING: Unauthorized modification of your patient lift could cause personal injury, property damage, and void the warranty.**
- ⚠ WARNING: The maximum weight capacity of this device is:
LF2020 Easy Lift STS: 400 lb, EVENLY DISTRIBUTED
LF2090 Bariatric Easy Lift STS: 600 lb, EVENLY DISTRIBUTED
DO NOT exceed the maximum weight capacity.**
- ⚠ WARNING: GF Health Products, Inc. assumes no responsibility for any damage or injury caused by improper assembly or use of this product.**
- ⚠ WARNING: Check all parts for shipping damage before using. In case of damage, DO NOT USE the equipment. Contact the carrier or your Graham-Field authorized distributor for further instructions.**
- ⚠ WARNING: Patient lift may tip over if used incorrectly. Read and adhere to the operating instructions prior to lifting anyone.**

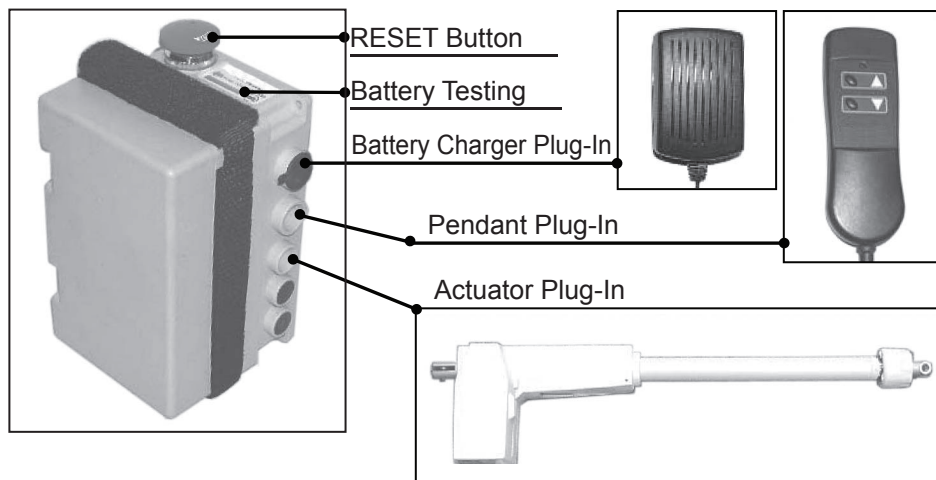
- ⚠ WARNING: GF Health Products, Inc. strongly recommends that two caregivers take part in the lifting process.**
- ⚠ WARNING: When transferring a patient, always keep the patient centered over the base.**
- ⚠ WARNING: Ensure that lifting sling loops are correctly attached to the hooks to prevent the patient from sliding or falling out of the sling, which could result in personal injury. Never use the patient lift to lift or transfer anything other than a person.**
- ⚠ WARNING: Do not put anything (e.g. cushion, pad, etc.) between the user and the sling. This could cause user to slide out of the sling and result in personal injury.**
- ⚠ WARNING: Do not lock the brakes or block the wheels when lifting. The casters must be FREE to roll to allow the patient lift to stabilize itself when the patient is initially lifted from a chair, bed, or any stationary object.**
- ⚠ WARNING: Do not roll casters over any object while the user is in the sling.**
- ⚠ WARNING: Do not attempt to maneuver the lift by pushing on the mast, boom, actuator, or patient. Always maneuver the lift with the handle.**
- ⚠ WARNING: During lifting or lowering, whenever possible, always keep the patient lift legs in the maximum open position.**
- ⚠ WARNING: To facilitate movement, close patient lift legs before moving the lift.**
- ⚠ WARNING: Replace any worn or broken parts immediately! Torn, cut, frayed, or broken slings can fail, resulting in serious personal injury. Use only slings that are in good condition.**
- ⚠ WARNING: Use extreme care, caution, and common sense when utilizing a patient lift. Special attention must be given to patients who are disoriented and cannot cooperate while being lifted, such as comatose, agitated, spastic, or mentally confused persons. Consult their healthcare professional for assistance in lifting these types of patients.**
- ⚠ WARNING: California Proposition 65 WARNING: This product contains a chemical known to the State of California to cause cancer and reproductive or developmental harm.**
- ⚠ WARNING: The electronics and actuator contain no serviceable components. If service is required, the unit must be returned to the factory for repair. DO NOT attempt to open the electronics or actuator or obtain local service; this will void the warranty and could result in damage to the unit. Consult your Graham-Field authorized distributor for further information.**
- ⚠ WARNING: GF Health Products, Inc. specifically disclaims responsibility for any bodily injury or property damage which may occur during any use which does not comply with federal, state or local laws or ordinances.**

3 FEATURES

EASY LIFT SIT-TO-STAND FEATURES



CONTROL BOX FEATURES



4 HANDLING PROCEDURES

SHIPPING AND TRANSPORTATION INSTRUCTIONS

If the patient lift is to be reshipped by common carrier, it should be packed in the same carton in which it was received.

Unpacking

⚠ WARNING: The lift is heavy. To avoid personal injury, DO NOT attempt to remove the lift from the box without assistance.

1. Check for any obvious damage to the carton or its contents. If damage is evident, notify the carrier or your Graham-Field authorized distributor.
2. Remove all loose packing from the carton.
3. Carefully remove all the components from the carton.

Info: Unless the patient lift is to be used immediately, retain boxes, containers and packing material for use in storing until use of patient lift is required.

Inspection

1. Examine the exterior of the patient lift for nicks, dents, scratches or other damage.
2. Inspect all components.

Storage

1. Store the repackaged patient lift in a dry area.
2. DO NOT place other objects on top of the repackaged patient lift.

5 ASSEMBLY INSTRUCTIONS

⚠ WARNING: The lift is heavy. To avoid personal injury, DO NOT attempt to assemble the lift without assistance.



1. Remove the nuts and bolts from top and bottom of mast.
2. With one hand on the mast and another on the boom, pull the mast to an upright position.
3. Reinstall the bolts in the holes at bottom of mast and hand tighten them.
4. Attach boom to mast and hand tighten bolt and nut.
5. Attach the L-shaped arms to the back of the knee pad.
6. Attach knee pad assembly to the mast.
7. Place the control box in the bracket.
8. Insert the actuator plug into the control box.
9. Insert the pendant plug into the control box.
10. Tighten all nuts.

⚠ WARNING: Before using Patient Lift, ensure that lift is assembled as described, that all attaching hardware is securely tightened, and that all lift components are secure.

Info: Before using the lift, charge the batteries for ten to twelve hours (see instructions on following page).

CHARGING THE BATTERIES

Charge the batteries after assembly.

1. Ensure the control box power switch is ON (i.e., the red button is up).
2. Insert the charger plug into the battery box charging socket (the top slot).
3. Insert the other charger plug into the power supply.
4. All LED indicator lights should be ON during charging.
5. When one green LED indicator light illuminates, the batteries require approximately two to three hours to be fully charged.
6. When only the red LED indicator light illuminates, the batteries require approximately seven to nine hours to be fully charged.

▲ NOTICE: Do not charge the batteries for more than twelve hours.

7. Unplug the charger FIRST before using the lift.

Info: *The lift will not operate while the batteries are charging.*

The lift will not operate while the red reset button is down.

8. Replace the batteries when frequent charging is required.

Important Charging Information

Push lift to an appropriate location and charge the batteries with the charger provided.

▲ NOTICE: Avoid unplugging the pendant and actuator from the control box. Frequent plugging and unplugging of the pendant and actuator to and from the control box may damage the control box.

CHECKING BATTERY CAPACITY

Info: *To check remaining battery capacity, press the battery indicator (blue circle with battery symbol) while the lift is not in motion. Remaining battery capacity is indicated by LED indicator lights and explained in the following table.*

Red	Amber	Green	Green	Green	Status
ON	ON	ON	ON	ON	Fully charged
ON	ON	ON	OFF	OFF	Needs charge
ON	ON/OFF	OFF	OFF	OFF	Charge immediately—DO NOT use lift
OFF	OFF	OFF	OFF	OFF	Bad batteries or bad connection

ALARM BUZZERS

The control box has an alarm buzzer that provides information on the status of the batteries and the lift. To stop the buzzer, push down the RED RESET button or press the battery indicator.

Buzzer type	Status	Note
2 beeps per second	Low battery (red/amber lights illuminate)	Charge batteries immediately
3 beeps per second	Low battery (red light illuminates)	Charge batteries immediately
6 beeps per second	Very low battery (no lights illuminate)	Charge batteries immediately
3 beeps every other second	Bad battery (no lights illuminate)	Replace batteries immediately
3 long beeps	Overloaded. Batteries are charged but lift does not lift	Maximum load capacity exceeded

6 OPERATING INSTRUCTIONS

- ⚠ **WARNING:** During lifting and lowering, whenever possible, always keep the base legs of the lift in the widest position.
- ⚠ **WARNING:** Use only Lumex slings specially designed for the LF2020 Easy Lift STS / LF2090 Bariatric Easy Lift STS.
- ⚠ **WARNING:** DO NOT use torn, cut, frayed or broken slings as injury could result.
- ⚠ **WARNING:** Do not put anything (e.g. cushion, pad, etc.) between the user and the sling. This may cause user to slide out of the sling and could cause injury.
- ⚠ **WARNING:** GF Health Products, Inc. strongly recommends that two caregivers take part in the lifting process.

Info: Instructional videos that review the application of several sling styles and lifting scenarios are available at www.grahamfield.com.

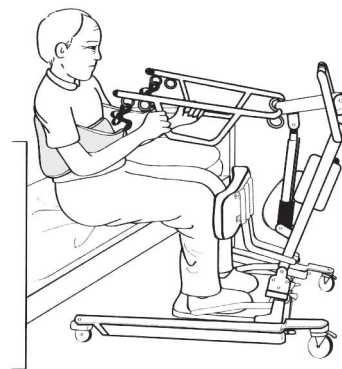
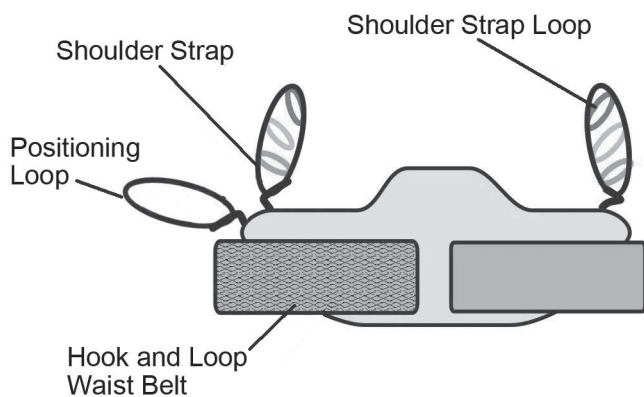
Info: While transferring a patient, the patient lift legs can be in either open or closed position.

Preparation before lifting

1. Turn on the power by turning the RED RESET BUTTON clockwise.
2. Press the pendant UP or DOWN button once.
3. After the battery indicator lights de-illuminate, push the pendant UP button and DOWN button to ensure the lift is operating correctly.
4. Position the lift base around or under the patient.
5. Widen the base.

Fitting Lumex Sit-to-Stand Sling

- ⚠ **WARNING:** The Lumex Sit-to-Stand sling is not suitable for patients who have involuntary movements, or patients with limited postural control.
- ⚠ **WARNING:** Ensure the sling you are using has adequate weight capacity for the person you are lifting.

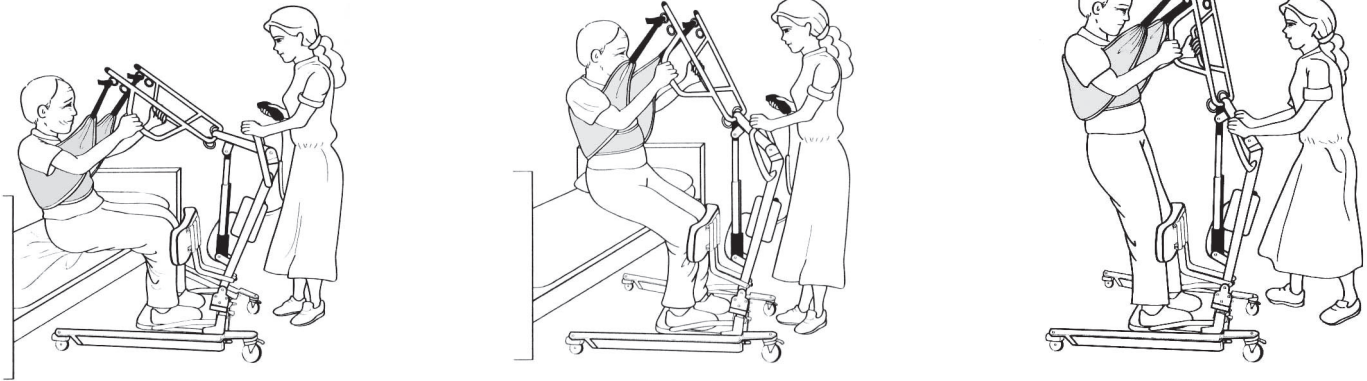


1. Position the patient in a sitting position.
2. Slide the sling down patient's back to lumbar position.
3. Draw the shoulder straps to the front of the patient close to the chest.
4. Draw the waist belt around patient's waist and press hook and loop sections together to fasten.
5. Place shoulder straps inside the positioning loop.
6. Attach the shoulder straps to the hooks.

LIFTING THE PATIENT

- ⚠ **WARNING: Do not attempt to transfer a patient without prior approval of the patient's healthcare professional and without having read the instructions and practiced using the patient lift.**
- ⚠ **WARNING: Ensure the floor area is clear of any obstacle that could cause a caster to stop and possibly tip the patient lift.**

Lift and transfer from bed



- ⚠ **WARNING: Do not lock or block the patient lift casters when lifting. The casters must be free to roll so that the patient lift can stabilize as the patient is lifted from the bed.**
- ⚠ **WARNING: To ensure stability while lifting or lowering a patient, the patient lift legs should be in the maximum open position.**

1. Fit sling as described in “Fitting Lumex Sit-To-Stand Sling”.
2. Push lift towards patient. Open the base of the lift. Apply the brakes on both rear casters.
3. Position patient's feet on the foot platform and knees against the knee pad.
4. Attach the sling straps to the hooks.
5. Have the patient's hands holding the handles. For patients who cannot hold the handles, have them hold their arms around the chest.
6. Press the “UP” button on the hand pendant.
7. Before the patient's body is lifted from the bed, stop and make sure the sling is secured and patient's knees are against the knee pad.
8. The patient should be comfortable with the pressure under the arms. If not, adjust the sling and try another loop option to release pressure.
9. Press the “UP” button until the patient's body has completely left the bed.
10. Transfer to another object can be done at this position without the patient attending a full standing position.
11. Release the brakes, close the base, and pull the lift away from the bed.
12. Lower the patient to the object intended.
13. To lift patient in a standing position, continue to lift until the patient's knees are locked in a standing position.
14. At the standing position, patient's knees may move away from the knee pad.
15. Close the base, and pull the lift away from the bed.
16. Lower the patient to the object intended.
17. Reverse the above procedures when lowering the patient to the bed.

Lift and transfer from chair



- ⚠ **WARNING: GF Health Products, Inc. recommends that two attendants be used when transferring a patient to and from a wheelchair.**
- ⚠ **WARNING: Before transfer, ensure wheelchair wheel locks are in locked position. Wheelchair wheel locks must be in LOCKED POSITION before lowering the patient into the wheelchair, or unexpected wheelchair movement could result, which may result in serious injury to both the patient and the attendants.**
1. Fit sling as described in “Fitting Lumex Sit-To-Stand Sling”.
 2. Push lift towards patient. Open the base of the lift to go around the chair. Apply the brakes on both rear casters.
 3. Position patient’s feet on the foot platform and knees against the knee pad.
 4. Attached the sling straps to the hooks.
 5. Have the patient’s hands holding the handles. For patients who cannot hold the handles, have them hold their arms around the chest.
 6. Press the “UP” button on the hand control.
 7. Before the patient’s body is lifted from the chair, stop and make sure the sling is secured and patient’s knees are against the knee pad.
 8. The patient should be comfortable with the pressure under the arms. If not, adjust the sling and try another loop option to release pressure.
 9. Press the “UP” button until the patient’s body has completely left the chair.
 10. Transfer to another object can be done at this position without the patient attending a full standing position.
 11. Release the brakes, close the base, and pull the lift away from the chair.
 12. Lower the patient to the object intended.
 13. To lift patient in a standing position, continue to lift until the patient’s knees are locked in a standing position.
 14. At the standing position, patient’s knees may move away from the knee pad.
 15. Release the brakes, close the base, and pull the lift away from the chair.
 16. Lower the patient to the object intended.
 17. Reverse the above procedures when lowering the patient to the chair.

7 CARE AND MAINTENANCE

Proper care and maintenance are essential to keeping your Lumex LF2020 Easy Lift STS / LF2090 Bariatric Easy Lift STS in a safe operating condition. In addition to inspecting the unit before each use, periodic maintenance checks should be done. We further recommend that this unit be serviced at least once annually by a Graham-Field authorized distributor.

- ⚠ **WARNING: It is extremely important that the patient lift be inspected before each use. Ensure that all hardware and accessories are secure and that the actuator is functioning properly. Failure to do so could result in patient / attendant injury or damage to your patient lift. Torn, cut, frayed or broken slings can fail, resulting in serious injury. Only use slings in good condition. Inspect before each use. Destroy and discard old worn and unusable slings.**
- ⚠ **WARNING: Service and repair of the LF2020 Easy Lift STS / LF2090 Bariatric Easy Lift STS should be performed only by a Graham-Field authorized distributor. GF Health Products, Inc. is not responsible for any consequence resulting from any unauthorized service or repair.**
- ⚠ **WARNING: Unauthorized modification of the patient lift or the use of non-Lumex replacement parts may change the structure of the lift and could create a hazardous condition, which may result in serious injury and will void the warranty.**
- ⚠ **WARNING: The electronics and actuator contain no serviceable components. DO NOT open the electronics or actuator; this will void the warranty and may result in damage to the unit. Consult your Graham-Field authorized distributor for further information.**

When you believe a component or part is not functioning properly, immediately contact your Graham-Field authorized distributor, as a potentially hazardous condition could exist.

BEFORE EACH USE

Before each use of the patient lift, ensure that:

- All nuts and bolts are tight
- The lift moves freely (with caster brakes off)
- Rear caster brakes operate properly
- Base adjustment mechanism operates easily
- All necessary items (i.e. slings, wheelchairs, etc.) are accessible and ready for use
- Battery capacity is adequate

AT LEAST ONCE A MONTH

The lift should be thoroughly inspected by a person qualified to recognize any signs of wear, and looseness of bolts or parts. Replace any worn parts immediately.

LUBRICATION

When the lift is serviced, and every month thereafter, place a drop of oil on the following points:

- The point where mast and boom connect
- Caster axles
- The point where actuator and boom connect

CLEANING

Regular cleaning is recommended every three months; clean the lift more often as needed. A soft cloth, dampened with water and a mild NON-ABRASIVE detergent (household cleaner, soapy water, or hospital grade disinfectant) is all that is needed to clean your patient lift. Automobile wax or furniture polish will help maintain the finish over a long period of time.

▲ **NOTICE: DO NOT wash patient lift under water pressure or steam clean.**

CARE OF SLINGS

Lumex slings are washable at 150°F or less. The slings can be air dried or dried by using a dryer on LOW heat.

▲ **NOTICE: DO NOT bleach slings!**

MAINTENANCE SCHEDULE

Info: Only qualified persons should service and repair your Lumex LF2020 Easy Lift STS / LF2090 Bariatric Easy Lift STS. Regular maintenance of your patient lift is necessary to ensure continuing proper and safe operation. Read and observe the following recommended maintenance schedule:

Item	Inspect initially	Inspect / adjust		
		daily	monthly	every 6 months
Base, Casters, and Foot Paddle				
Ensure that base is level (all four wheels touch the floor)	x		x	x
Ensure that bolts and nuts are tight	x	x	x	
Ensure that casters swivel and roll freely	x	x	x	
Apply a light grease to caster ball bearings				x
Check rubber parts of casters for deflection	x		x	
Check welding joints for rust and cracks			x	
Ensure that base opens and closes smoothly	x	x	x	x
Ensure that base locks securely in three positions	x	x	x	
Ensure that base locking knob is in place and operating properly	x	x	x	
Inspect all base hardware for wear			x	
Mast				
Ensure that mast is fully engaged and locked into mast sleeve	x		x	
Inspect mast for bends or deflections			x	
Inspect all mast hardware for wear			x	x
Boom				
Inspect boom for bends or deflections	x		x	
Ensure that boom is centered between the base legs	x		x	x
Inspect all boom hardware for wear			x	
Inspect sling hooks for wear or deflections			x	x
Check connections between boom and mast for improper connection, looseness, or wear		x	x	
Slings and Sling Hardware				
Check slings and straps for wear and damage; discard if worn	x	x		
Inspect metal/plastic parts for wear or damage	x	x		
Lubrication with Light Oil				
Lubricate all pivot points				x
Lubricate top and bottom of actuator mounting				x
Cleaning				
Clean with mild non-abrasive detergent				x
Actuator and Electronics				
Ensure that batteries are charged	x	x		
Inspect for proper up / down operation	x	x		
Ensure that mounting hardware is tight	x		x	
Inspect mounting hardware for wear			x	
Ensure that control box is firmly affixed to the mast	x		x	
Ensure that the actuator connecting cable is tight	x		x	

8 TROUBLESHOOTING

The following list of encountered problems and their solutions will assist you in determining what may be causing your Lumex lift not to function as designed. If you have a problem occurring which is not listed below, please contact your distributor or Graham-Field Technical Support for help. Do not attempt to repair components or parts on your lift, as this may invalidate your warranty or cause further problems that may result in patient injury. Stop using your lift immediately if it is not functioning correctly or any warning beeps are heard.

SYMPTOM	POSSIBLE CAUSE	ACTION
The actuator is stalled and a clicking sound is audible	Actuator plug is not seated properly into control box Actuator is defective or at end of its life cycle Control box is defective	Firmly plug actuator plug into control box Replace actuator if control box is good Replace control box if bad; replace control box if pendant is good; replace pendant if bad
The actuator will either go up or down, but not both	Hand pendant or control box defective	Replace control box if pendant is good Replace pendant if it is bad
The actuator makes a grinding sound while lifting, but works fine without a load	The internal gear is stripped, likely due to overloading	Stop using the lift immediately! Repair or replace the actuator
The actuator stops and starts during lifting or lowering	Bad batteries	Check battery indicator; confirm if lights drop quickly to red light; replace batteries
The lift will not operate even though battery indicator shows charge	Battery charger still plugged in Poor connection between control box and pendant, or defective pendant Poor connection between actuator and control box	Unplug battery charger Plug hand pendant firmly into control box, or replace pendant Plug actuator cord firmly into control box
The lift will not operate and battery indicator has no lights illuminated	Control box may be in OFF position Internally, batteries may be loose from their connections Batteries are in need of being charged Batteries are dead and won't hold a new charge	Turn the red emergency stop button until it pops up to the ON position Check inside control box to ensure batteries are connected Use charger to charge batteries, ensuring the red emergency stop button is in ON or UP position Replace the batteries
During charging, the battery indicator is not illuminated and won't charge	The red emergency stop button is in OFF or DOWN position The battery charger is defective or at end of its life cycle	Turn the red emergency stop button until it pops up to the ON position Inspect the battery charger for damage and replace if required
The battery indicator indicates need for frequent charging and/or lift loses power	The batteries are at end of life cycle	Replace the batteries
The lift will not operate, and there is no clicking sound or light when pendant is pressed	The pendant is loose/defective or at end of its life cycle	Check battery indicator; replace pendant if battery indicator shows full charge

⚠ WARNING: If you experience a problem with your lift and are unable to solve it yourself, contact your Graham-Field authorized distributor.

9 SPECIFICATIONS

Info: All dimensions are given in inches unless otherwise specified.

Base width	Open: 43"
	Closed: 26"
Base height clearance	6"
Overall base length	50"
Lifting height range Info: As measured from sling hooks.	Minimum: 27"
	Maximum: 71"
	Range: 35"
Mast height	50"
Maximum weight capacity	LF2020 Easy Lift STS: 400 lb, EVENLY DISTRIBUTED LF2090 Bariatric Easy Lift STS: 600 lb, EVENLY DISTRIBUTED
Rear locking caster size	4" diameter
Front caster size	4" diameter
Lifting mechanism	24 DC actuator
Battery charger	AC 110V / 220V to DC 24V 1 amp

10 LIMITED WARRANTY

GF Health Products Inc. (“Graham-Field”) warrants this product to be free from manufacturing defects in material and workmanship for its period of warranty that is in accordance with industry standards. This warranty is extended only to the original purchaser/consumer or dealer/non-consumer of this new product and to no other purchaser or transferee.

GF Health Products, Inc. warrants the Lumex LF2020 Easy Lift Sit-to-Stand / LF2090 Bariatric Easy Lift Sit-to-Stand and its components to be free from defects in workmanship and materials as listed below:

Lift frame and spreader bar:..... three years
Actuator: two years
Parts, including casters, control box, pendant, charger:.....two years
Batteries:..... one year

The Warranty period for the consumer commences on the first date a product is delivered to consumer by seller/dealer. If the product is rented or leased, the warranty period commences on the invoice date from *GF Health Products, Inc.* A copy of the invoice showing date of purchase must be provided when submitting warranty claims. When proof of purchase date is not provided, warranty coverage shall commence upon *GF Health Products, Inc.*'s invoice date to the dealer/purchaser.

If within the warranty period, the product or component part is proven to *GF Health Products, Inc.*'s satisfaction to be defective, *GF Health Products, Inc.* shall provide, at its option, one of the following: (1) repair or replacement of any defective or nonconforming part or product or (2) a credit and/or refund of the original selling price. GF HEALTH PRODUCTS, INC.'S SOLE OBLIGATION AND YOUR EXCLUSIVE REMEDY UNDER THIS WARRANTY SHALL BE LIMITED TO SUCH REPAIR, REPLACEMENT, CREDIT AND/OR REFUND. This warranty does not include any labor charges incurred in replacement part(s) installation or any associated freight or shipping charges to the manufacturer.

For warranty service, please contact the authorized distributor from whom you acquired your *GF Health Products, Inc.* product. Upon receiving notice of an alleged defect in a product, *GF Health Products, Inc.* will issue a return authorization. The defective product or part(s) must then be returned, at the purchaser's cost, for warranty inspection using the serial number as identification (or, if the product is not serialized, lot number and date code) within thirty (30) days of return authorization issue date. In the event you do not receive satisfactory warranty service, please contact *GF Health Products, Inc.* at the address on the following page. DO NOT return products to our factory without prior authorization.

LIMITATIONS AND EXCLUSIONS: The foregoing warranty shall not apply to serial numbered products if the serial number has been removed or defaced. Products subjected to negligence, abuse, misuse, improper operation, improper maintenance, improper cleaning, improper storage, or damages beyond *GF Health Products, Inc.*'s control are not covered by this warranty, and that evaluation shall be solely determined by *GF Health Products, Inc.* This warranty shall not apply to problems arising from normal wear and tear or failure to follow instructions. The warranty shall also not apply to products modified without *GF Health Products, Inc.*'s express written consent; nor shall it apply if parts not manufactured by *GF Health Products, Inc.*, or if parts not complying with original equipment specifications are added to *GF Health Products, Inc.* products, or if the product or part is serviced by an entity not authorized by *GF Health Products, Inc.*

THE FOREGOING WARRANTY IS EXCLUSIVE AND IN LIEU OF ALL OTHER EXPRESS WARRANTIES AND IMPLIED WARRANTIES, INCLUDING BUT NOT LIMITED TO THE IMPLIED WARRANTIES OF MERCHANTABILITY AND FITNESS FOR A PARTICULAR PURPOSE, AND SHALL NOT EXTEND BEYOND THE DURATION OF THE EXPRESS WARRANTY PROVIDED HEREIN, AND THE REMEDY FOR VIOLATIONS OF ANY IMPLIED WARRANTY SHALL BE LIMITED TO THE REPAIR, REPLACEMENT, CREDIT AND/OR REFUND OF THE DEFECTIVE PRODUCT OR PART PURSUANT TO THE TERMS CONTAINED HEREIN. GF HEALTH PRODUCTS, INC. SHALL NOT BE LIABLE FOR ANY CONSEQUENTIAL OR INCIDENTAL DAMAGES WHATSOEVER.

This warranty gives you specific legal rights and you may also have other legal rights which vary from state to state (province to province). Some states (provinces) do not allow the exclusion or limitation of incidental or consequential damage, or limitation on how long an implied warranty lasts, so the above exclusion and limitations may not apply to you.

The warranties contained herein contain all the representations and warranties with respect to the subject matter of this document, and supersede all prior negotiations, agreements and understandings with respect thereto. The recipient of this document hereby acknowledges and represents that it has not relied on any representation, assertion, guarantee, warranty, collateral contract or other assurance, except those set out in this document.

11 INDEX

A

Alarm buzzers, significance 9
Assembly instructions 8

B

Batteries, charging 9
Battery capacity, checking 9
Battery capacity LED indicator lights, significance 9
Before each use 13

C

Care and maintenance 13
Care of slings 13
CAUTION statement, significance 4
Cleaning 13
Control box features 6

E

Easy Lift Sit-to-Stand features 6

F

Features 6

H

Handling Procedures 7

I

Info statement, significance 4
Inspection 7
Intended use 3
Intended use contraindication 3
Introduction 3

L

Lift and transfer from bed 11
Lift and transfer from chair 12
Lifting the patient 11
Lubrication 13

M

Maintenance schedule 14
Maximum weight capacity 4

N

NOTICE statement, significance 4

O

Operating Instructions 10

P

Preparation before lifting 10

S

Safety precautions 4
Safety statements, significance of 4
Shipping and transportation instructions 7
Sit-to-Stand Sling, fitting 10
Specifications 16
Storage 7

T

Troubleshooting 15

U

Unpacking 7

V

Videos, instructional, at www.grahamfield.com 10

W

Warnings 4
WARNING statement, significance 4
Warranty, limited 17



GRAHAM-FIELD
