



**Series FR566G Deluxe Clinical Care Recliner**

**Series FR566DG Deluxe Clinical Care Recliner with Drop Arm**

**Series FR566GH Deluxe Clinical Care Recliner  
with Heat and Massage**

**Series FR566DGH Deluxe Clinical Care Recliner with Drop Arm  
with Heat and Massage**



## **Assembly and Operating Instructions**

**IMPORTANT: READ THIS MANUAL BEFORE OPERATING YOUR LUMEX  
FR566G / FR566DG / FR566GH / FR566DGH DELUXE CLINICAL CARE RECLINER.**

**SAVE THIS MANUAL FOR FUTURE USE.**

# CONTENTS

INTRODUCTION .....	3
INTENDED USE .....	3
IMPORTANT SAFETY PRECAUTIONS—PLEASE READ BEFORE USE .....	3
WARNINGS .....	3
ASSEMBLY .....	5
UNPACKING .....	5
PRODUCT DESCRIPTION .....	5
FEATURES, FR566G AND FR566GH .....	5
FEATURES, FR566DG AND FR566DGH .....	6
UPHOLSTERED BACK ASSEMBLY, ALL MODELS .....	7
OPERATION .....	8
TENTE® CASTERS, ALL MODELS .....	8
SIDE TABLE OPERATION, ALL MODELS .....	9
TO RAISE TABLE .....	9
TO LOWER TABLE .....	9
SIDE PANEL OPERATION .....	10
FR566G AND FR566GH .....	10
FR566DG AND FR566DGH .....	10
RECLINER OPERATION, ALL MODELS .....	11
FIRST POSITION .....	11
SECOND POSITION .....	11
THIRD POSITION .....	12
TRENDLENBURG POSITION (ALSO KNOWN AS SHOCK POSITION) .....	12
DROP ARM FUNCTION, FR566DG AND FR566DGH ONLY .....	13
TO OPERATE THE DROP ARM FEATURE .....	13
LUMEX CLINICAL CARE RECLINERS WITH HEAT AND MASSAGE FEATURE .....	14
INSTALLATION AND OPERATING GUIDE .....	14
DESCRIPTION .....	14
CONNECTION .....	15
MAIN COMPONENTS .....	15
HEAT AND MASSAGE UNIT SETUP INSTRUCTIONS .....	16
HEAT AND MASSAGE UNIT OPERATION INSTRUCTIONS .....	17
HEAT AND MASSAGE UNIT TROUBLESHOOTING GUIDE .....	18
CARE AND MAINTENANCE .....	19
EVERY THREE MONTHS .....	19
UPHOLSTERY MAINTENANCE AND STAIN REMOVAL .....	19
PERMABLOK3® CARE AND CLEANING GUIDE — ADVANCED VINYL PROTECTION .....	19
CDC RECOMMENDATIONS .....	20
CE CERTIFICATION (SERIES FR566G / FR566DG ONLY) .....	22
TECHNICAL SPECIFICATIONS .....	22
LIMITED WARRANTY .....	23

## **INTRODUCTION**

This manual contains assembly, operation, and maintenance instructions for Lumex Clinical Care Recliners Series FR566G, FR566DG, FR566GH and FR566DGH. Read the entire manual carefully before using your recliner, and refer to it during use if you have questions. If you have further questions, please call Graham-Field / Lumex Technical Support at 770.368.4700.

## **INTENDED USE**

Lumex Clinical Care Recliners are intended to make the care, treatment and recovery of patients easier and more comfortable. Lumex Clinical Care Recliners are used in a wide range of healthcare applications including Dialysis, Oncology, Drug Delivery, Same Day Surgery and Post-Operative Recovery. Lumex Clinical Care Recliners are ideal for use in hospitals, clinics and rehabilitation centers.

Lumex Series FR566G / FR566DG / FR566GH / FR566DGH supports patient weights up to 350 lb (158 kg), when evenly distributed.

## **IMPORTANT SAFETY PRECAUTIONS—PLEASE READ BEFORE USE**

The safety statements presented in this chapter refer to the basic safety information that the FR566G / FR566DG / FR566GH / FR566DGH user must pay attention to and abide by. There are additional safety statements in other chapters or sections, which may be the same as or similar to the following, or specific to the operations. Please note the following special statements, used throughout this manual, and their significance:

- ⚠ **WARNING:** Indicates a potential hazard situation or unsafe practice that, if not avoided, could result in death or serious personal injury.
- ⚠ **CAUTION:** Indicates a potential hazard or unsafe practice that, if not avoided, could result in minor or moderate personal injury.
- ▲ **NOTICE:** Indicates a potential hazard or unsafe practice that, if not avoided, could result in product or property damage.

***Info:** Provides application recommendations or other useful information to ensure that you get the most from your product.*

## **WARNINGS**

- ⚠ **WARNING:** Read this entire manual before assembly or operation.
- ⚠ **WARNING:** Periodically inspect all parts and replace as needed.
- ⚠ **WARNING:** Do not use near an open flame, as the chair could be a combustion source, resulting in fire, property damage, and severe physical injury.
- ⚠ **WARNING:** Service and repair of the Lumex FR566G / FR566DG / FR566GH / FR566DGH Clinical Care Recliner must be performed by a Graham-Field authorized distributor. GF Health Products, Inc. is not responsible for any consequence resulting from any unauthorized service or repair.
- ⚠ **WARNING:** The electronics and actuator contain no serviceable components. If service is required, the unit must be returned to the factory for repair. **DO NOT** attempt to open the electronics or actuator or obtain local service; this will void the warranty and may result in damage to the unit. Consult your Graham-Field authorized distributor for further information.

- ⚠ WARNING: This product has a maximum weight capacity of 350 lb (158 kg), EVENLY DISTRIBUTED.**
- ⚠ WARNING: Casters must be locked at all times, except during transport.**
- ⚠ WARNING: Unauthorized modification of your recliner or the use of non-Lumex replacement parts may change the structure of the recliner and could create a hazardous condition, which may result in serious injury and will void the warranty.**
- ⚠ WARNING: Notice for California Customers- California Proposition 65 WARNING: This product contains a chemical known to the State of California to cause cancer and reproductive or developmental harm.**
- ⚠ WARNING: GF Health Products, Inc. specifically disclaims responsibility for any bodily injury or property damage which may occur during any use which does not comply with federal, state or local laws or ordinances.**

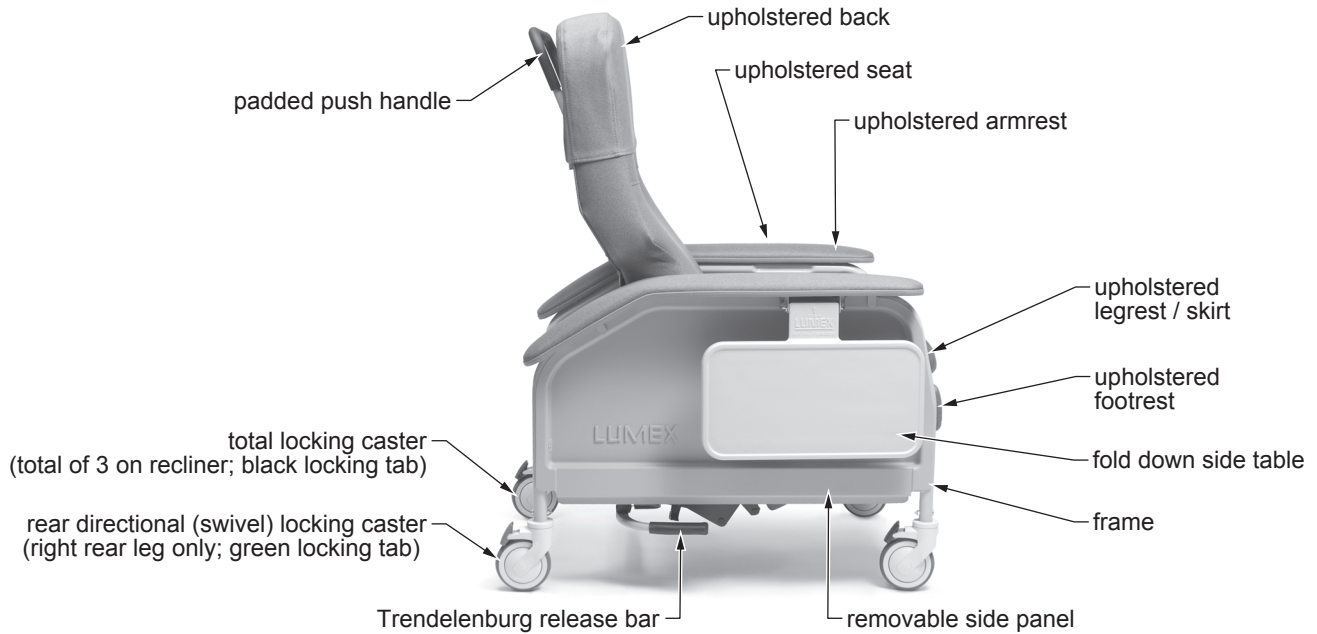
# ASSEMBLY

## UNPACKING

1. Check for obvious damage to the carton or its contents. If damage is evident, please notify the carrier and your Graham-Field authorized distributor.
2. Remove all packaging materials from recliner base.

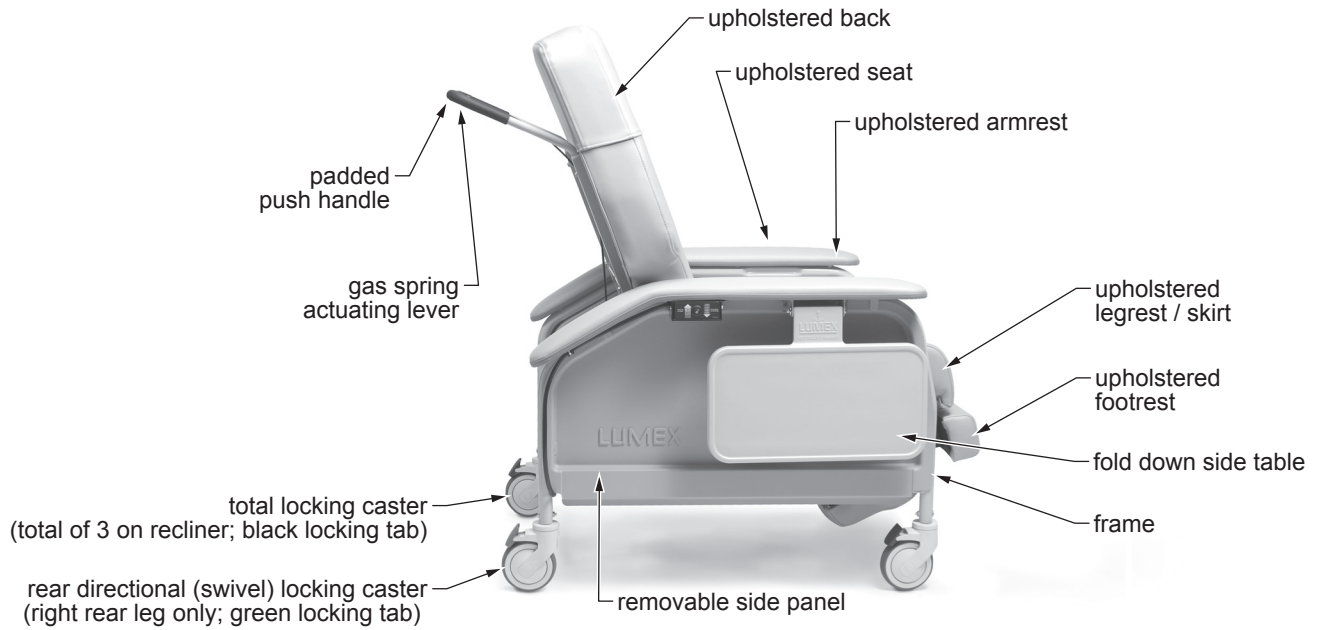
## PRODUCT DESCRIPTION

### Features, FR566G and FR566GH



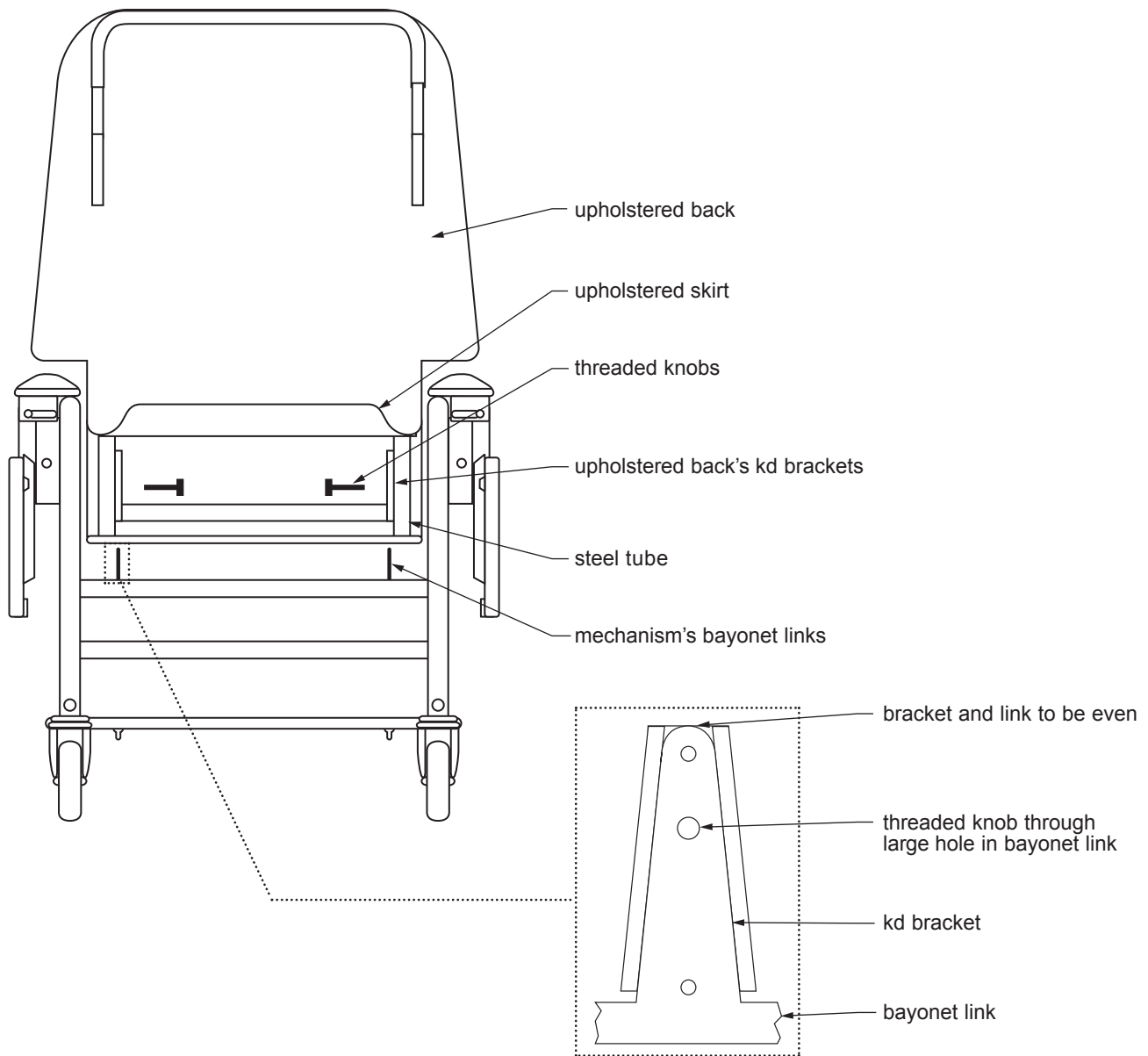
Clinical Care Recliner Series FR566G

## **Features, FR566DG and FR566DGH**



**Clinical Care Recliner Series FR566DGH**

## Upholstered Back Assembly, All Models



1. Lift the skirt on the rear of the upholstered back. To make assembly easier, hold skirt up with a small piece of tape to fully expose the kd (knock-down) brackets that are to be mated to the two bayonet lugs on the recliner mechanism.
2. Remove two pre-installed threaded knobs from back (one on each side).
3. Carefully guide the upholstered back onto the mechanism, inserting both bayonet links at the same time through the two cutouts located in the bottom of the back.
4. Push down firmly on the back until the recliner mechanism bayonet links are fully engaged into the upholstered back kd brackets. The top of bayonet link should be even with top of kd bracket, as shown above.
5. Once the back is properly seated onto mechanism, insert the threaded knob through bayonet link, kd bracket and steel tube (one on each side). Secure hand tight.
6. Remove tape and lower upholstery skirt. Secure back skirt with the hook and loop strips on the skirt.

## OPERATION

**⚠ WARNING: Disconnection of the device: In case of emergency, always disconnect the device by removing the power cord plug from the power outlet.**

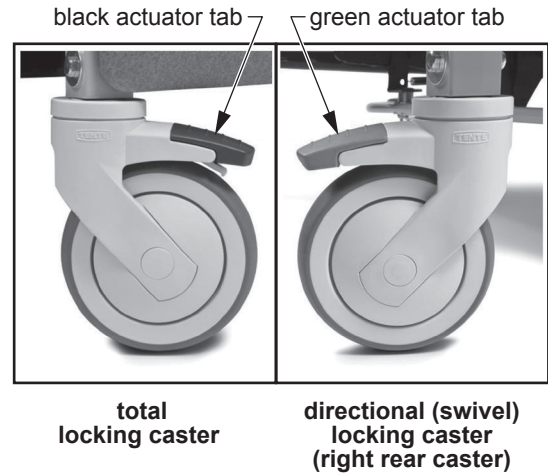
### **TENTE® CASTERS, ALL MODELS**

**⚠ WARNING: Casters must be locked at all times, except during transport.**

All Lumex Clinical Care Recliners now feature the latest design, all-plastic casters from TENTE. Specifically designed for use in healthcare environments, the new casters are easier to clean, easier to move, and tolerate a wide array of cleaners and chemicals. Each caster is made from high-grade synthetic materials and features a double-ball bearing swivel head. The wheel center is made of polypropylene and the tire tread of TENTEprene (thermoplastic rubber). The gray non-marking tires feature precision ball bearings.

**Locking casters:** Each Lumex Clinical Care Recliner features three total locking casters, identified by black actuator tabs, that lock both the wheel and the swivel. To activate the total lock, simply press down on the BLACK actuator tab until it locks. To release the total lock, press on the raised portion of the actuator tab until the lever is back in the normal operating position.

**Directional (swivel) caster:** The fourth caster, located on the right rear position of the recliner, is a directional (swivel) locking caster only. Identified by a green actuator tab, the directional lock caster will lock in one of two 180-degree positions relative to the frame (forward and backward) and allows the recliner to track straight when pushed. To activate the directional lock, simply press down on the GREEN actuator tab until it locks — you may need to move the recliner slightly until the caster locks in a straight line with the recliner frame. To release the directional lock, press on the raised portion of the actuator tab until the lever is back in the normal operating position.





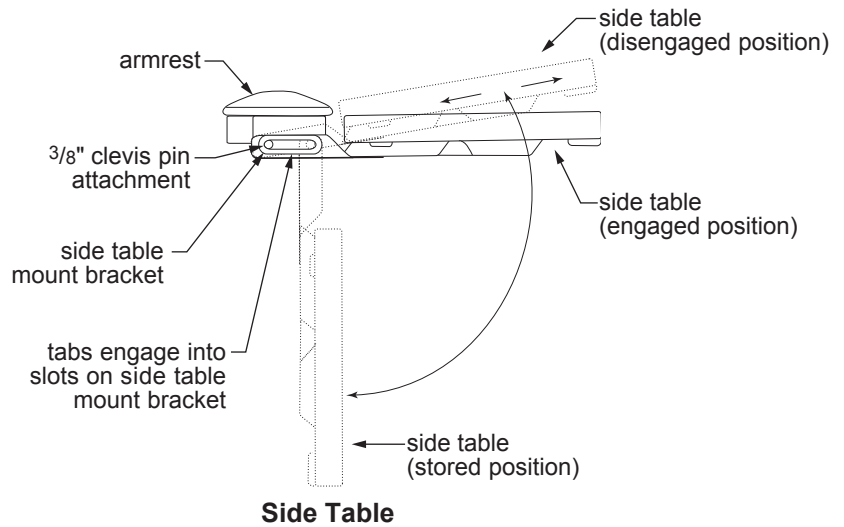
## **SIDE TABLE OPERATION, ALL MODELS**

### **To Raise Table**

Raise the side table all the way up and slide in toward the armrest until tabs engage slots in mount bracket. Press down lightly on table to ensure locking tabs are engaged.

### **To Lower Table**

Lift the side table up slightly until tabs disengage slots and pull table away from armrest. Lower side table to self-storing position.



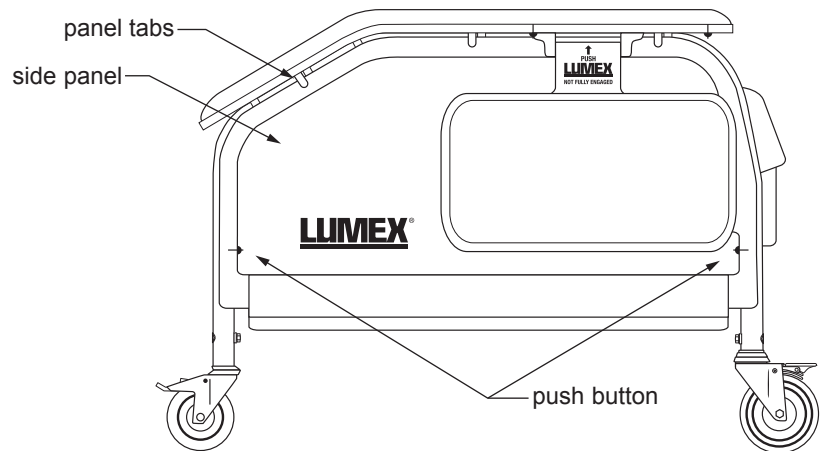
## **SIDE PANEL OPERATION**

For easy cleaning and access to the side and underside of the recliner, Lumex Clinical Care Recliners feature easy-to-remove side panels.

### **FR566G and FR566GH**

**To Remove Side Panel:** depress the two push buttons located on the lower sides of frame. Pull side panel gently away and down from frame. There are tabs on the frame underneath the armrest that hold the side panel in place.

**To Install Side Panel:** insert side panel into recliner frame by locating the tabs underneath the armrest. Make sure side panel is properly aligned and that the top edge is behind the locking tabs. Press side panel into frame sides. Make sure that both push buttons are protruding into side panel to ensure side panel is locked into place.

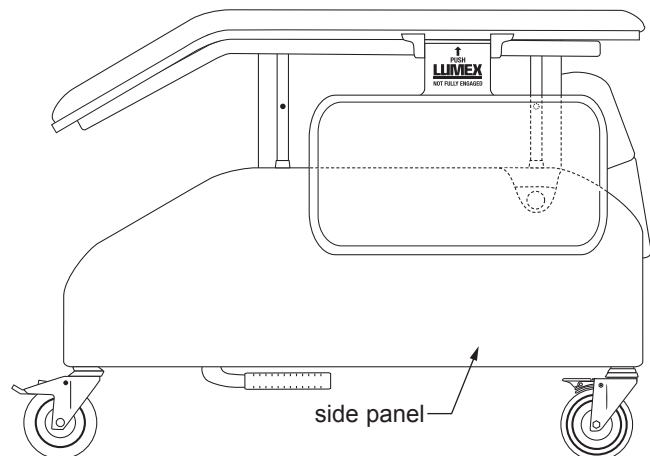


**FR566G and FR566GH Removable Side Panel**

### **FR566DG and FR566DGH**

**To Remove Side Panel:** grasp upholstered side panel from both sides. Pull sharply out from recliner until locking clips release side panel from frame.

**To Install Side Panel:** insert side panel into recliner frame by lining up the side panel clips with the tubes on frame. Push side panel firmly into frame until side panel clips lock into place.



**FR566DG and FR566DGH Removable Side Panel**

## **RECLINER OPERATION, ALL MODELS**

The Lumex Series FR566G / FR566DG / FR566GH / FR566DGH recliners feature three positions for patient comfort. The fourth position is a Trendelenburg (or Shock Position) that must be activated by a caregiver. The Trendelenburg Position CANNOT be activated by a patient while in the recliner. In addition, this recliner features a back that can be repositioned via the Adjustment Lever located on the Push Handle on the back of the recliner.

### **First Position**

The first position is the Upright Position. This position is ideal for patient transport and can be used to initiate patient treatment / therapy.

### **Second Position**

The second position is the first recline position and is also known as TV position. This position is ideal for patient treatment, rest and reading.

#### **To Achieve Second Position / First Recline Position:**

- Reclining by patient: place hands on armrests and push body against recliner back to recline yourself to desired position. To bring yourself up, place hands on armrests and pull yourself up while leaning your body forward, away from the recliner back, while at the same time pushing down evenly on the footrest with your legs.
  - Reclining by attendant: standing on either side of the recliner, grasp the armrest with one hand and push handle with the other hand. Push back on push handle to recline. To return, grasp push handle and pull forward to raise the recliner back.
- ▲ **NOTICE: DO NOT use the footrest by itself to return the recliner to an upright position from any recline position. Doing so may damage the recliner mechanism. Please follow the instructions above to operate the recliner.**



**Upright Position**



**First Recline Position  
(TV Position)**

## **Third Position**

The third position is the Second Recline Position and is also known as the “Full Recline” position. This position is ideal for patient treatment, rest and reading.

### **To Achieve Third Position / Second Recline Position:**

- Reclining by the patient: from the First Recline Position continue to push against the back by placing your hands on the armrests and continue to recline yourself to the Second Recline Position. To bring yourself up, place hands on armrests and pull yourself up while leaning your body forward away from the recliner back while at the same time pushing down evenly on the footrest with your legs.
- Reclining by attendant: standing on either side of the recliner, grasp the armrest with one hand and push handle with the other hand. Push back on push handle to recline. To return, grasp push handle and pull forward to raise the recliner back.



**Second Recline Position  
(Full Recline Position)**

### **Trendelenburg Position (Also Known as Shock Position)**

***Info: This position can only be achieved by a caregiver.***

Standing on either side of the recliner, grasp the armrest with one hand while holding the recliner back with the other. With your foot, push down on the release bar (either side of the recliner) while gently pushing down with your hand on the recliner back until it comes to a stop.

To bring recliner out of Trendelenburg, stand on either side of the recliner, grasp the armrest with one hand and push handle with the other hand and pull forward on the push handle.



**Trendelenburg Position  
(Shock Position)**

## **DROP ARM FUNCTION, FR566DG AND FR566DGH ONLY**

The Lumex Deluxe Clinical Care Recliner with Drop Arm (Series FR566DG and FR566DGH) features self-storing drop arms that are simple for the caregiver to actuate. By lowering the arm, a safer and easier lateral transfer for the resident and caregiver can be achieved.

**⚠ WARNING: Always lock all recliner casters before attempting to transfer a patient. DO NOT attempt to transfer a patient if you are unsure about the physical abilities of the patient or yourself. If you are transferring a patient between two pieces of equipment, make sure both pieces of equipment are locked, are at the same height in order to reduce the amount of lifting required to transfer the patient, and are as close to one another as possible. Failure to heed these warnings could result in personal injury to the patient and / or caregiver.**

### **To Operate the Drop Arm Feature**

#### **To Lower Drop Arm:**

1. Lift fold down side table away from recliner to expose drop arm pull button.
2. Pull drop arm pull button outward while gently pushing down on the center of the armrest until arm is in the fully lowered position.

#### **To Raise Drop Arm:**

1. Grasp armrest with one hand and pull upward while pulling out on the drop arm pull button. Evenly raise armrest upward until drop arm pull button locks into place.
2. Ensure drop arm is secure by pushing down on center of armrest.



**FR566DGH  
Right Arm Dropped**

# LUMEX CLINICAL CARE RECLINERS WITH HEAT AND MASSAGE FEATURE

## **INSTALLATION AND OPERATING GUIDE**

Series FR566GH and FR566DGH

*Tools Required: 1/4" Hex Wrench, 3/8" Hex Wrench, Phillips Screwdriver, masking or packaging tape*

- ⚠ WARNING: Important! Read and understand these instructions before assembling or using the Specialty Healthcare Seating Heat and Massage Unit. If you do not understand any part of these warnings, cautions or instructions, contact a healthcare professional for direction in the use of this product. If the Heat and Massage Unit is not properly assembled, personal injury and damage to the Heat and Massage Unit could result.**
- ⚠ WARNING: The recliner seat and back heating elements are wired to operate in series only. Do not change the system wiring in any way.**
- ⚠ WARNING: If components are damaged or missing, contact your Graham-Field authorized distributor immediately. DO NOT use substitute parts. Use only Lumex replacement parts. The use of non-Lumex replacement parts could cause personal injury, property damage, and void the warranty.**
- ⚠ WARNING: GF Health Products, Inc. assumes no responsibility for any damage or injury caused by improper assembly or use of this product.**

### **Description**

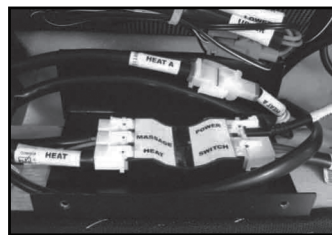
The Lumex Specialty Healthcare Seating Heat and Massage Unit is a low-voltage (12V) Heat and Massage Unit, controllable by the user and / or caregiver, designed to enhance the comfort of the patient / resident during the use of Lumex Clinical Care Recliners. The Heat and Massage Unit offers three levels of seat and back heat, as well as a gentle or firm massage function for just lower back or both lower and upper back.

## **Connection**

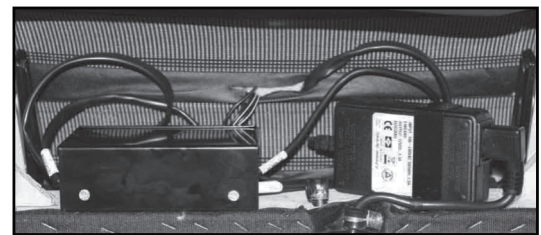
The Heat and Massage Unit comes pre-installed in Lumex Clinical Care Recliners with the Heat and Massage Option (FR566GH and FR566DGH). During recliner shipment, the Heat and Selector Switch connections are disconnected. Several easy connections are all that is required to make the unit functional.

## **Main Components**

1. The selector switch (shown at right), in the switch box mounted on the right side of the recliner underneath the armrest, is a single multi-position switch that activates both the Heat and Massage functions.
2. The control module, the brains of the system, is inside the junction box. Both are shown at right.
3. The power supply, which has an 8-foot power cord that plugs into the wall power outlet, is shown at right.



**Control Module (Junction  
Box Cover Removed)**



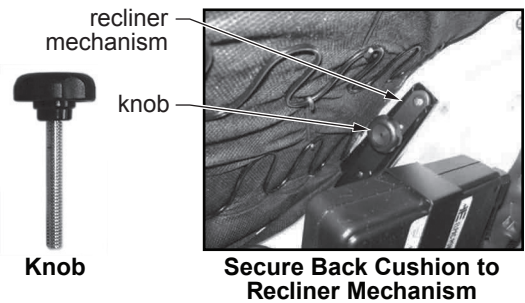
**Junction Box**

**Power Supply**

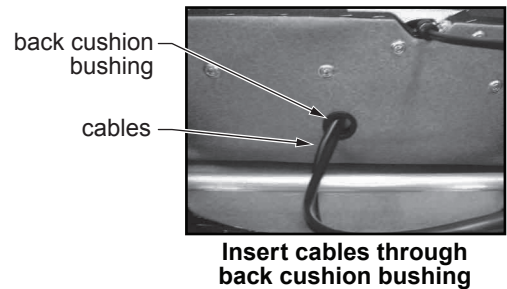


## **Heat and Massage Unit Setup Instructions**

1. Place the back cushion over the vertical bayonet lugs of the recliner mechanism. Secure back on each side with the threaded screw knobs enclosed with the Recliner Operating Instructions, as shown at right.
2. Raise the back skirt on the lower rear of the back cushion and use masking or packaging tape to temporarily secure it up and out of the way. This will permit uninterrupted access to the back compartment while making the final cable connections.

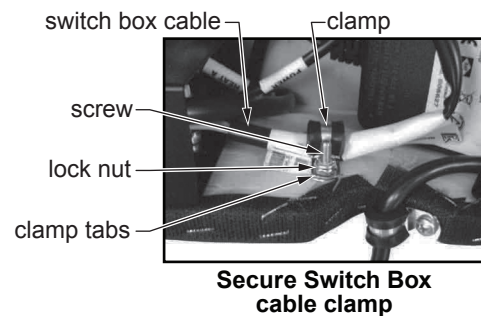


3. Use a 1/4" hex wrench to remove the two hex head screws that secure the junction box cover (see picture of junction box at top of page). Remove the junction box cover to expose the control module.
4. Insert the switch box cable connector (labeled SWITCH) and the two connectors (labeled HEAT and HEAT A) and the cable leading from the rear of the seat cushion into the plastic bushing in the bottom of the back cushion and pull them through the bushing into the back compartment, as shown at right.



5. Insert the seat cushion cable connector (labeled HEAT A) into the connector labeled HEAT A already in the back compartment until its locking tabs snap into place.
6. Insert the connector labeled HEAT into the connector also labeled HEAT in the left side of the control module (see picture of control module at top of page) until its locking tab snaps into place.
7. Insert the connector labeled SWITCH into the connector also labeled SWITCH in the right side of the control module (see picture of control module at top of page) until its locking tab snaps into place.

8. See picture at right. Remove the lock nut from the screw that secures the cushioned cable clamp. Remove the clamp and place it around the switch box cable. Slide the clamp over the cable until the holes in the clamp tabs are in line with the screw. Then pinch them closed. Install the clamp tabs on the screw, then reinstall the lock nut on the screw. Hold the lock nut with a 3/8" hex wrench and tighten the screw with a Phillips screwdriver.



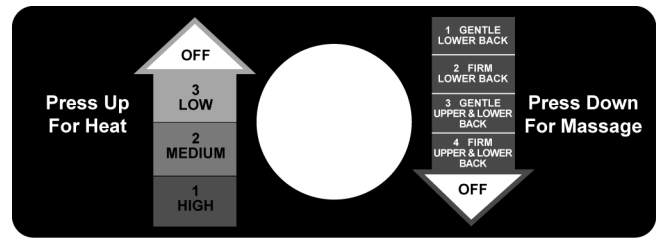
9. Place the cable labeled HEAT A inside the junction box. Replace the junction box cover; replace the two hex head screws that secure the junction box cover. Use a 1/4" hex wrench to secure the screws.
10. Remove the tape holding the back flap. Lower the flap and seal the compartment.
11. The Heat and Massage Unit is now ready for operation. Instructions for use follow.

**▲ NOTICE: Before rolling the recliner, ensure the power cord is unplugged from the AC outlet.**



## Heat and Massage Unit Operation Instructions

1. Plug the power supply cord into any grounded outlet.
2. The Heat and Massage Unit is operated using the single multi-position selector switch located on the right side of the recliner underneath the armrest. The Heat and Massage functions can be operated independently. The selector switch faceplate is shown at right.



3. Press the selector switch UP to activate the HEAT FUNCTION.
4. Press the selector switch DOWN to activate the MASSAGE FUNCTION.
5. The selector switch has THREE HEAT FUNCTION SETTINGS and FOUR MASSAGE FUNCTION SETTINGS as follows:
  - a. HEAT FUNCTION SETTINGS:
    - 1) Press selector switch UP for **Setting 1: High Heat**, 106°F (41°C), brightest LED.
    - 2) Press selector switch UP AGAIN for **Setting 2: Medium Heat**, 104°F (40°C), bright LED.
    - 3) Press selector switch UP AGAIN for **Setting 3: Low Heat**, 100°F (37°C), dim LED.
    - 4) Press selector switch UP AGAIN: Heat function shuts off.
    - 5) There is a small red indicator light, which illuminates only during the Heat function, in the selector switch. The light's brightness is determined by the Heat level being used: **Brightest = High Heat; Dimmest = Low Heat.**
  - b. MASSAGE FUNCTION SETTINGS:
    - 1) Press selector switch DOWN for **Setting 1: Gentle Lower Back Massage.**
    - 2) Press selector switch DOWN AGAIN for **Setting 2: Firm Lower Back Massage.**
    - 3) Press selector switch DOWN AGAIN for **Setting 3: Gentle Upper and Lower Back Massage.**
    - 4) Press selector switch DOWN AGAIN for **Setting 4: Firm Upper and Lower Back Massage.**
    - 5) Press selector switch DOWN AGAIN: Massage function Shuts Off.
6. The Heat and Massage Unit automatically shuts off at the following times:
  - a. HEAT FUNCTION: After one hour of continuous use at the same level.
  - b. MASSAGE FUNCTION: After fifteen minutes of continuous use at the same level.
  - c. To restart the Heat and Massage Unit, follow the instructions above.

## **Heat and Massage Unit Troubleshooting Guide**

The cables and connections need to be validated. This will require the services of a maintenance person and a clear working area.

1. INSPECTION: Perform the following checks. If a working recliner of the same model is available, use it for comparison.
2. Is the AC cord properly connected to the power supply? Is the cable from the power supply to the control module junction box in place?
3. With the power supply AC cord plugged into a live wall outlet, does the small light to the left of the white seat symbol (located on the switch) light up when the switch is pressed repeatedly or is there any indication of massage operation?

**⚠ WARNING: Disconnect the power cord from the wall outlet before performing the following steps!**

- a. Is the switch seat symbol oriented so that the back is vertical with the three arrows pointing up? Is the switch loose in the box?
  - b. Is there any sign of external damage to the switch, switch box or the surrounding area?
  - c. Is there any sign of external damage to the recliner?
  - d. Do any of the cables show any sign of damage or pinch points?
  - e. Are all cable connections to the control module (in the junction box) in place per the instructions? Are the connectors fully engaged?
  - f. Are any of the connectors damaged?
  - g. Are the wires within the connectors attached to the pins? Each wire may have to be tugged lightly to check if the wire is still crimped to the pin.
4. POST-INSPECTION:
    - a. If improper or loose connections are found, reconnect them firmly (unless a loose wire has been found). Plug the power supply AC cord into a live wall socket and operate the unit through all functions.
    - b. If the switch seat symbol is rotated or there is evidence of damage to the box and cable notify Graham-Field so that a switch box and cable can be sent for replacement.
    - c. If damage to any other electrical cable or component, or disconnected wires are found, please notify Graham-Field.
  5. ACTIONS:
    - a. If full operation is restored, please advise Graham-Field of your successful outcome.
    - b. If the fault cannot be corrected by simple re-connection, please inform Graham-Field of the results of your inspection in detail so that we may determine the appropriate action to be taken.

If you have any questions about the setup and / or operation of the Heat and Massage Unit, please call the Graham-Field Technical Support Group at 770.368.4700.

## CARE AND MAINTENANCE

**⚠ WARNING: Inspect all components periodically and replace as needed.**

### **EVERY THREE MONTHS**

- Check and clean casters.
- Tighten bolts in each leg that secure casters into frame.
- Check brakes on casters.
- Check and clean lock recline mechanism.
- Check recliner mechanism for operation in all positions, including Trendelenburg Position, with assistant seated in recliner.

### **UPHOLSTERY MAINTENANCE AND STAIN REMOVAL**

- Ordinary dirt: wash with warm water and a mild soap or detergent.
- Stubborn dirt: using a soft bristle brush, wash with warm water and a mild soap or detergent.
- Ground-in dirt: scrub with powdered cleanser or similar detergent.
- Chewing gum: scrape carefully; remove with kerosene or naphtha.
- Nail polish and remover: Blot immediately to prevent damage.
- Ball point pen: blot immediately with a white cloth dampened in water or mineral oil.
- Paint, shoe polish, heel marks: remove immediately! Use a white cloth dampened in kerosene, naphtha or turpentine. Do not use paint remover or liquid brush cleaners.
- Tars, asphalt, creosote: remove to prevent staining. Clean area with kerosene or naphtha.

**⚠ WARNING: When using kerosene or naphtha, do so in a well ventilated area and keep it away from fire, flame, and recliner occupant.**

- Waxing and refinishing: improves wearability. Use any quality paste wax.
- A diluted solution of 10% (or less) of bleach or Clorox may be used when cleaning this recliner.

### **PERMABLOK3® Care and Cleaning Guide — Advanced Vinyl Protection**

- Step 1 (eye shadow, mascara, grease, black felt tip pen, crayon, chocolate, suntan lotion, hair and body oils): remove excess spill with a damp cloth. Clean with a 1:1 mix of Ivory® liquid soap and water. Next, rinse with clean water and dry.
- Step 2 (red lipstick): use a straight application of concentrated cleaners such as Formula 409® or Fantastik® spray cleaner. Wipe with a clean cloth, rinse with water, and dry.
- Step 3 (blood, urine, feces, oil base paint, tar, and asphalt): use a 1:1 mix of ammonia and water, or a 1:4 mix of bleach and water. Rinse with clean water and dry.
- Step 4 (all other tough stains): use a straight application of naphtha (lighter fluid). Rinse thoroughly with clean water and pat surface dry. If the stain persists, go to step 5.
- Step 5: use a 1:1 mix of isopropyl alcohol and water. If the stain persists, use straight alcohol. Rinse thoroughly with clean water and pat dry.

***Info: For cleaning that requires step 4 or 5, use a soft cotton cloth saturated with the cleaning material and rub the stain in circles 10 times. Pat dry with another soft cotton cloth and check the results.***

The information published in this care guide refers to the performance of PERMABLOK3® products in specific tests conducted under laboratory conditions. Results may vary under actual conditions.

This information is not a guarantee and does not relieve the user from the responsibility of the proper and safe use of the product and all cleaning agents. The use of certain agents can be harmful to the surface appearance and lifespan of vinyl. Spradling, its agents, and assigns assume no responsibility resulting from the use of such cleaning agents to the vinyl.

Please check compatibility when using this product in combination with painted or varnished surfaces.

PERMABLOK3 is a registered trademark of Spradling Holdings, Inc.

Ivory is a registered trademark of Procter and Gamble.

Formula 409 is a registered trademark of The Clorox Company.

Fantastik is a registered trademark of S.C. Johnson & Son, Inc.

Spradling International is not sponsored by, affiliated with, or endorsed by such trademark owners.

## **CDC RECOMMENDATIONS**

### **CLEANING AND DISINFECTING STRATEGIES FOR ENVIRONMENTAL SURFACES IN PATIENT-CARE AREAS FOR VINYL UPHOLSTERY, WALL COVERINGS AND FLOORING**

- Select EPA-registered disinfectants, if available, and use them in accordance with the manufacturer's instructions.
- Do not use high-level disinfectants / liquid chemical sterilants for disinfection of either noncritical instruments and devices or any environmental surfaces; such use is counter to label instructions for these toxic chemicals.
- Follow manufacturers' instructions for cleaning and maintaining noncritical medical equipment.
- In the absence of a manufacturer's cleaning instructions, follow certain procedures:
  - Clean noncritical medical equipment surfaces with a detergent / disinfectant.
  - Do not use alcohol to disinfect large environmental surfaces.
  - Use barrier protective coverings as appropriate for noncritical surfaces that are:
    - Touched frequently with gloved hands during the delivery of patient care.
    - Likely to become contaminated with blood or body substances.
    - Difficult to clean (e.g., computer keyboards).
- Keep housekeeping surfaces (e.g., floors, walls, tabletops) visibly clean on a regular basis and clean up spills promptly.
- Use a one-step process and an EPA-registered hospital detergent / disinfectant designed for general housekeeping purposes in patient-care areas where:
  - Uncertainty exists as to the nature of the soil on the surfaces (whether it is blood or body fluid or just normal dust or dirt).
  - Uncertainty exists regarding the presence of multi drug resistant organisms on such surfaces.

- Detergent and water are adequate for cleaning surfaces in nonpatient-care areas (e.g., administrative offices). Clean and disinfect high-touch surfaces on a more frequent schedule than minimal-touch housekeeping surfaces. Clean walls, blinds, and window curtains in patient-care areas when they are visibly dusty or soiled.
- Do not perform disinfectant fogging in patient-care areas.
- Avoid large-surface cleaning methods that produce mists or aerosols, or disperse dust in patient-care areas.
- Follow proper procedures for effective uses of mops, cloths, and solutions.
  - Prepare cleaning solutions daily or as needed, and replace with fresh solution frequently according to facility policies and procedures.
  - Change the mop head at the beginning of each day and also as required by facility policy, or after cleaning up large spills of blood or other body substances.
  - Clean mops and cloths after use and allow to dry before reuse; or use single-use, disposable mop heads and cloths.
- When performing low- or intermediate-level disinfection of environmental surfaces in nurseries and neonatal units, avoid unnecessary exposure of neonates to disinfectant residues on these surfaces by using EPA-registered germicides in accordance with manufacturers' instructions and safety advisories.

## CE CERTIFICATION (SERIES FR566G / FR566DG ONLY)

**Info: CE Certification applies ONLY to Series FR566G Deluxe Clinical Care Recliner and Series FR566DG Deluxe Clinical Care Recliner with Drop Arm.**

**CE Certification DOES NOT apply to Series FR566GH Deluxe Clinical Care Recliner with Heat and Massage nor Series FR566DGH Deluxe Clinical Care Recliner with Drop Arm with Heat and Massage.**



GF Health Products, Inc.



EC Authorized Representative  
CEpartner4U BV, ESDOORNLAAN 13  
3951 DB MAARN The Netherlands  
+31 (0)6 516.536.26  
www.cepartner4u.com



## TECHNICAL SPECIFICATIONS

Specification	Models FR566G, FR566GH	Models FR566DG, FR566DGH
Overall Height	50"	51 1/2"
Overall Width	31"	33"
Overall Depth	43"	38"
Width Between Arms	21"	23"
Arm Height from Floor	27 1/2"	28"
Arm Height from Seat	8"	8"
Seat Height	22"	22"
Seat Width	20 1/2"	20 1/2"
Seat Depth	20"	19"
Depth Fully Reclined in Trendelenburg	75"	76"
Width with Both Side Tables in Upright Position	51"	53"
Shipping Weight	145 lb	135 lb
Maximum Weight Capacity	350 lb (158 kg), EVENLY DISTRIBUTED	350 lb (158 kg), EVENLY DISTRIBUTED

# LIMITED WARRANTY

## SCOPE OF WARRANTY

GF Health Products, Inc. ("GF") warrants to the original purchaser only that it will replace or repair components, at GF's sole discretion, that are defective in material or workmanship under normal use and service. All warranties are conditioned upon the proper use of the products strictly in accordance with good commercial practice and applicable GF instructions and manuals, including proper use and maintenance. To the extent that a component is warranted by a third party, GF conveys all of its rights under that warranty to the original purchaser, to the extent permitted. This limited warranty shall only apply to defects that are reported to GF's customer service team within the applicable warranty period and which, upon examination by GF or its authorized representative, prove to be a warranty item. This limited warranty is not transferable.

The warranted components and time period are set forth below:

- Frame: .....ten years
- Heat and Massage unit:.....two years
- Upholstery:.....one year
- All other components: .....three years

The applicable warranty period shall commence from date of shipment to the original customer, unless there is an expiration date on the component in which case the warranty shall expire on the earlier of warranty period or the expiration date.

## OBTAINING WARRANTY SERVICE

A GF Customer Service Representative must authorize warranty service. Please contact the GF Customer Service department by calling 770.368.4700, sending a fax request to 770.368.2386 or by e-mailing a request to [cs@grahamfield.com](mailto:cs@grahamfield.com). Specific directions will be provided by the Customer Service Representative. Failure to abide by the specific directions will result in denial of the warranty claim.

## EXCLUSIONS

The warranty does not cover and GF shall not be liable for the following:

- 1) Defects, damage, or other conditions caused, in whole or in part, by misuse, abuse, negligence, alteration, accident, freight damage, tampering or failure to seek and obtain repair or replacement in a timely manner;
- 2) Products which are not installed, used, or properly cleaned and maintained as required in the official manual for the applicable product;
- 3) Products considered to be of a non-durable nature including, but not limited to: casters, filters, fuses, gaskets, lubricants, and charts;
- 4) Accessories or parts not provided by GF;
- 5) Charges by anyone for adjustments, repairs, replacement parts, installation or other work performed upon or in connection with such products which are not expressly authorized in writing, in advance, by GF;
- 6) Any labor or shipping charges incurred in the replacement part installation or repair;
- 7) Costs and expenses of regular maintenance and cleaning; and
- 8) Representations and warranties made by any person or entity other than GF.

## ENTIRE WARRANTY, EXCLUSIVE REMEDY AND CONSEQUENTIAL DAMAGES DISCLAIMER

THIS WARRANTY IS GF'S ONLY WARRANTY AND IS IN LIEU OF ALL OTHER WARRANTIES, EXPRESS OR IMPLIED. GF MAKES NO IMPLIED WARRANTIES OF ANY KIND INCLUDING ANY IMPLIED WARRANTIES OF MERCHANTABILITY OR FITNESS FOR A PARTICULAR PURPOSE. IF ANY MODEL OR SAMPLE WAS SHOWN TO THE CUSTOMER, SUCH MODEL OR SAMPLE WAS USED MERELY TO ILLUSTRATE THE GENERAL TYPE AND QUALITY OF THE PRODUCT AND NOT TO REPRESENT THAT THE PRODUCT WOULD NECESSARILY CONFORM TO THE MODEL OR SAMPLE IN ALL RESPECTS. THIS WARRANTY IS LIMITED TO THE REPAIR OR REPLACEMENT OF THE DEFECTIVE PARTS. GF SHALL NOT BE LIABLE FOR AND HEREBY DISCLAIMS ANY DIRECT, SPECIAL, INDIRECT, INCIDENTAL, EXEMPLARY OR CONSEQUENTIAL DAMAGES, INCLUDING, BUT NOT LIMITED TO: DAMAGES FOR LOSS OF PROFITS OR INCOME, LOSS OF USE, DOWNTIME, COVER, OR EMPLOYEE OR INDEPENDENT CONTRACTOR WAGES, PAYMENTS AND BENEFITS.

The warranties contained herein contain all the representations and warranties with respect to the subject matter of this document, and supersede all prior negotiations, agreements and understandings with respect thereto.

The recipient of this document hereby acknowledges and represents that it has not relied on any representation, assertion, guarantee, warranty, collateral contract or other assurance, except those set out in this document.

For additional information on this product or this warranty, please contact a GF Customer Service Representative.

## NOTES:

- 1) Additional terms and conditions may apply.
- 2) Freight claims must be notated on the appropriate shipping documents and must be made with immediacy. International, federal and state regulations govern specific requirements for freight claims. Failure to abide by those regulations may result in a denial of the freight claim. GF will assist you in filing the freight claim.
- 3) Claims for any short shipment must be made within three (3) days of the invoice date.





Information contained herein is subject to change.  
The most current and complete product information can be found on our website.



© 2012, GF Health Products, Inc. All Rights Reserved.  
Graham-Field and Lumex are trademarks of GF Health Products, Inc.  
GF Health Products, Inc. is an ISO 13485 Certified Company.

*Proudly Made in the U.S.A.*

