

Rice Lake Mechanical Chair Scale

Model RL-MCS-LB, RL-MCS-KG

Technical Manual



- 1.0 Introduction..... 1**
 - 1.1 Safety 2
- 2.0 Installation 3**
 - 2.1 Pillar/Beam Installation..... 3
 - 2.2 Installing Transport Handle 6
 - 2.3 Chair and Footrest Installation 7
 - 2.4 Arm Rest Installation 8
- 3.0 Zero Adjustment..... 10**
- 4.0 Appendix 11**
 - Rice Lake Mechanical Chair Scale Warranty12**

1.0 Introduction

The Rice Lake Mechanical Chair Scale is designed for those who have a difficult time standing on a scale. It is ideal for use in clinics and nursing facilities. The scale is durable, having a sturdy enameled steel body, a molded polypropylene chair, heavy-duty footrest and heavy-duty caster wheels for easy portability.

The Rice Lake Mechanical Chair Scale comes in two models:

- RL-MCS-LB (450 x 4 oz capacity)
- RL-MCS-KG (200 x 100 g capacity)



Figure 1-1. Rice Lake Mechanical Chair Scale (Lb version shown)

1.1 Safety

Safety Symbol Definitions



Indicates a potentially hazardous situation that, if not avoided, could result in death or serious injury, and includes hazards that are exposed when guards are removed.



Indicates a potentially hazardous situation that, if not avoided, may result in minor or moderate injury.



Indicates information about procedures that, if not observed, could result in damage to equipment or corruption to and loss of data.



Do not operate or work on this equipment unless you have read and understand the instructions and warnings in this Manual. Contact any Rice Lake Weighing Systems dealer for replacement manuals. Proper care is your responsibility.

General Safety



Failure to heed may result in serious injury or death.

Ensure sure every individual who operates or works with this unit has read and understands the following safety information.

Do not transport the scale while someone is on it – the scale is not designed for transporting patients.

To avoid cross contamination, the scale should be cleaned regularly.

Do not allow minors (children) or inexperienced persons to operate this scale.

Do not jump on the scale.

Do not use in the presence of flammable materials.

People who are physically frail should always be assisted by another person when getting on and off the scale.

Do not use the scale on slippery surfaces, such as a wet floor.

Do not weigh someone with this scale whose body or feet are wet, such as after they have taken a bath.

Do not use this product if any of the components are loose or cracked.

Do not drop the scale or subject it to violent shocks.

Ensure casters are in a locked position prior to the patient getting on and off the scale.

For accurate weighing, the scale must be placed on a flat, stable surface.

Weight exceeding the maximum rated scale capacity may damage the scale.

Avoid contact with excessive moisture.

The patient should be completely seated in the chair, not leaning forward, and having feet firmly positioned on the footrest assembly while being weighed.

Do not make alterations or modifications to the scale.

Any alterations voids the warranty.

2.0 Installation

The Rice Lake Mechanical Chair Scale will arrive partially assembled. Additional assembly is required for the following:

- Pillar/beam assembly to scale base
- Steelyard rod connection
- Transport handle onto scale base
- Chair and footrest installation
- Arm rest installation

2.1 Pillar/Beam Installation

The pillar/beam comes detached from the scale base and must be attached prior to use. The following tools will be needed to assemble the pillar and beam to the scale base.

- Phillips head screwdriver
- Multi-purpose tool (included)

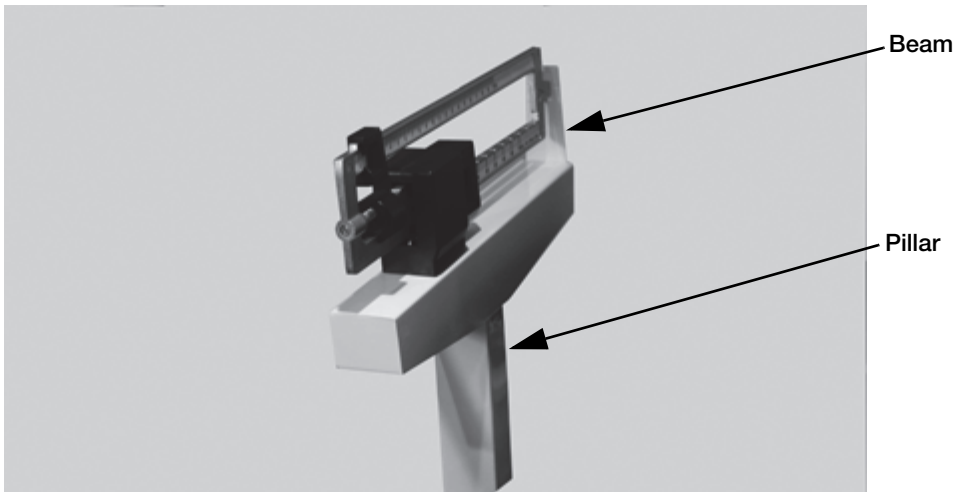


Figure 2-1. Pillar and Beam Components

Use the following steps to attach the pillar and beam to the scale base.

1. Lock the casters on the frame to keep the unit from rolling during assembly.

Push down on latching assembly to lock wheels and prevent scale from rolling.



Figure 2-2. Lock Casters

2. Remove the twist ties from the underside of the platform base. Ties are used to prevent the scale base from movement during shipping.

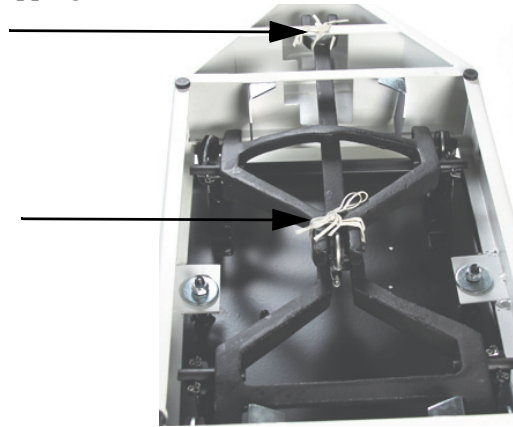


Figure 2-3. Remove Twist Ties from Platform Base (Underside of Platform Shown)

3. Remove the eight screws from the scale base and retain for installation. See Figure 2-4.

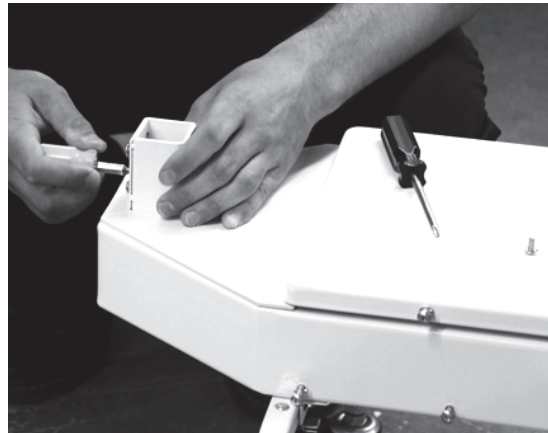


Figure 2-4. Remove Screws from Scale Base

There is a steelyard rod located inside the pillar.

4. Remove the twist ties used to secure the steelyard rod during shipment.



Figure 2-5. Remove Twist Tie from Steelyard Rod

5. Move the pillar onto the base ensuring that the Rice Lake label on the pillar should be facing the patient/chair.

6. Attach the steelyard rod to the bottom of the scale using the J-hook. Figure 2-6 shows the hook of the steelyard rod and an inside photo of the ring in the scale bottom. Latch the hook onto the D-shaped ring.

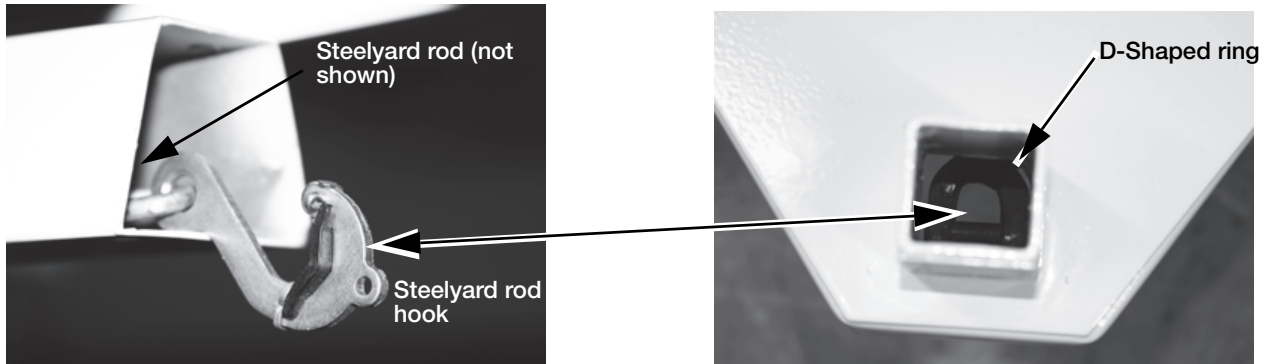


Figure 2-6. Attach Steelyard Rod to the Scale Base D-Ring

7. Set the pillar/beam assembly on the scale base assembly. See Figure 2-7.
8. Secure with the screws and star washers.

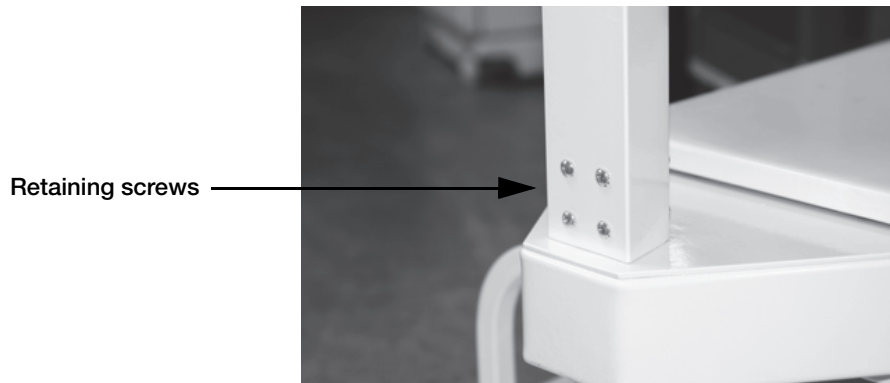


Figure 2-7. Pillar/Beam Assembly on Scale Base

2.2 Installing Transport Handle

Use the following steps to attach the transport handle to the scale.

1. Remove the four side screws (two on each side). See Figure 2-8. Retain screws for reassembly.

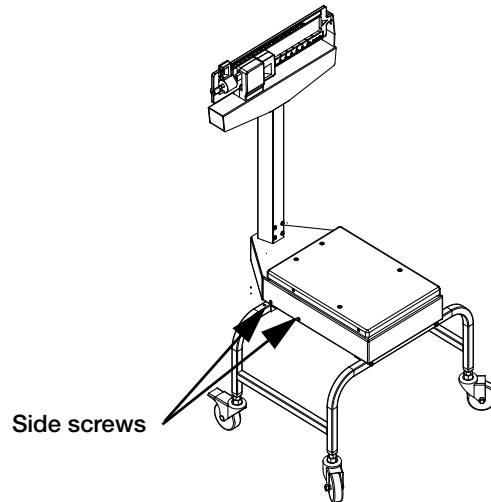


Figure 2-8. Transport Handle Installation

2. Align the transport handle to both sides of the scale support frame (see Figure 2-9).
3. Insert and tighten the four screws using a Phillips screwdriver (see Figure 2-9).

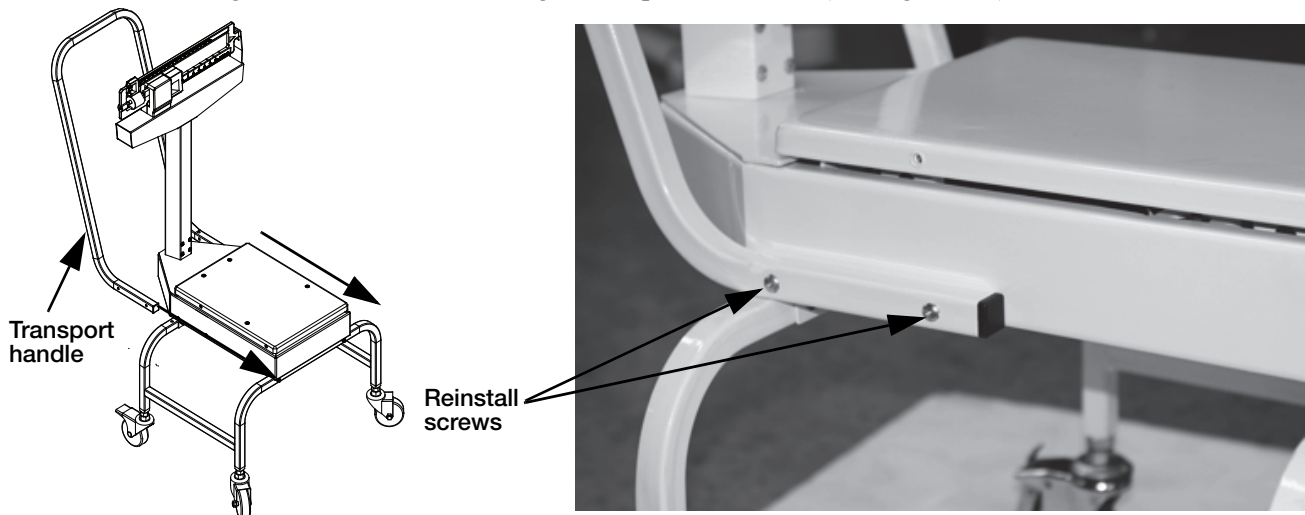


Figure 2-9. Secure the Transport Handle to the Scale Support Frame

CAUTION The transport handle should fit snugly against the scale support frame.

Important Do not transport the scale while someone is on it — the scale is not designed for transporting patients.

2.3 Chair and Footrest Installation

Use the following steps to install the molded chair to the scale support frame.

1. Remove the four screws from the movable scale support frame platform. Retain screws for installation..

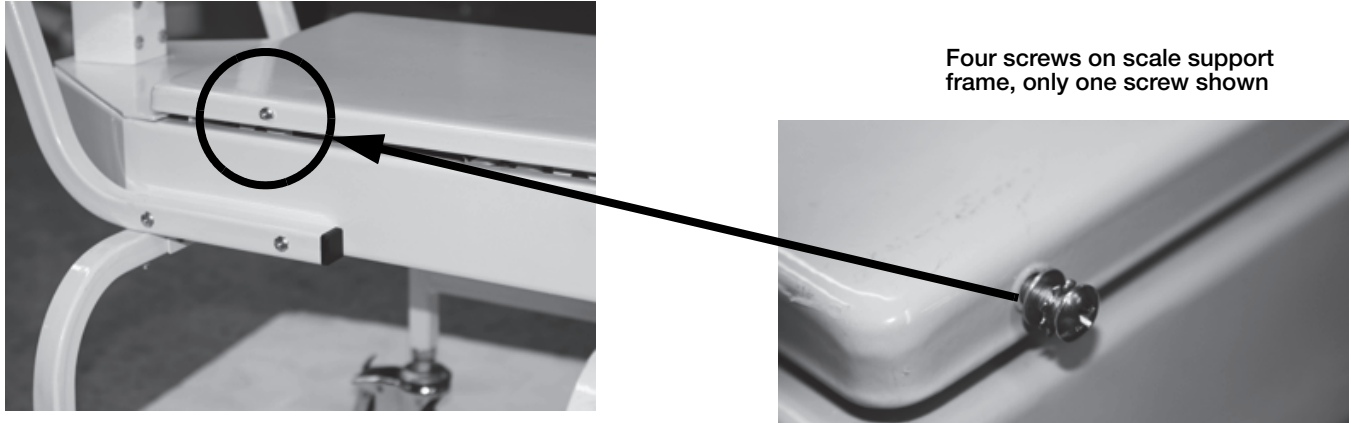


Figure 2-10. Removable Screws

2. Place the molded chair on the scale support frame platform; do not fasten the screws at this time.
3. Remove screws from the chair frame and retain them for installation.
4. Tilt the chair forward.

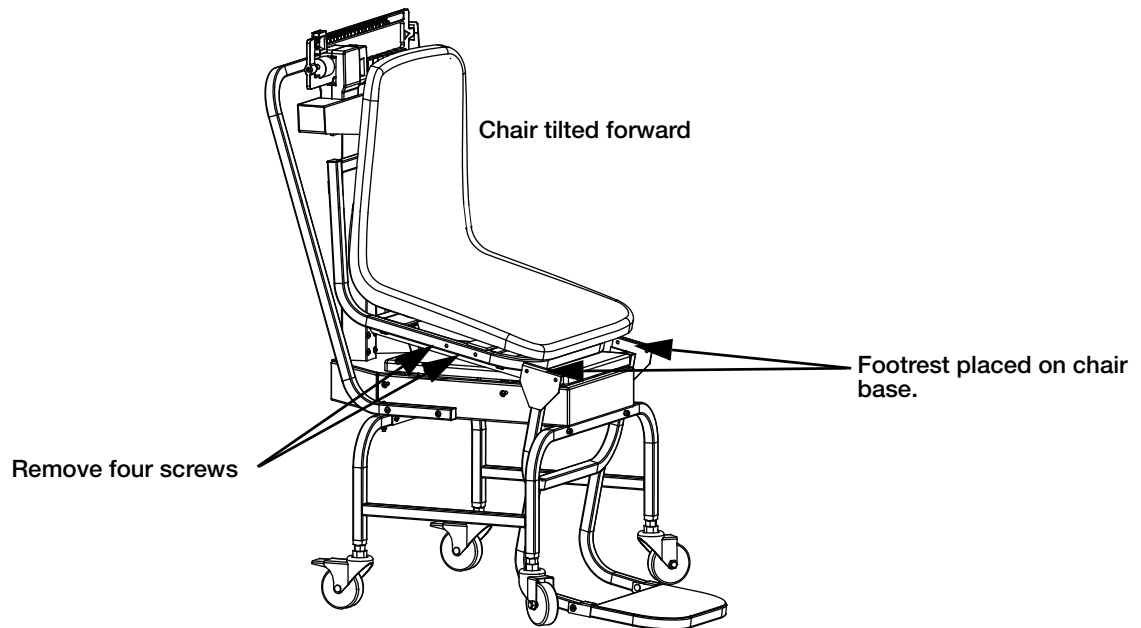


Figure 2-11. Tilt the Chair Upward Before Installing the Footrest Assembly

5. Slide the footrest assembly onto the chair scale base aligning the holes to the chair scale frame.



Note The footrest assembly will be hanging on the metal chair channel. Ensure the screw holes on the channel and the chair scale frame are aligned. See Figure 2-12.

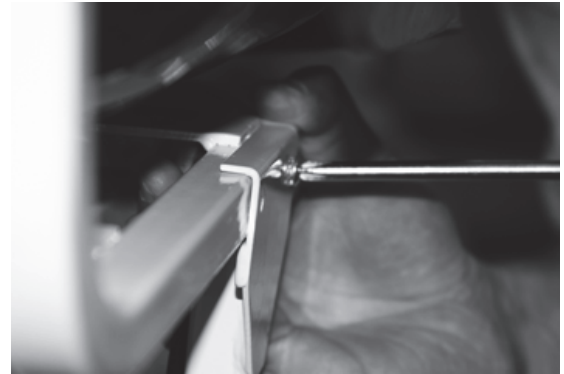


Figure 2-12. Install Footrest Assembly

6. Secure the footrest assembly to the chair frame.
7. Tilt the chair assembly back and secure four screws.

Secure screws
(only one shown)



Figure 2-13. Molded Chair to the Platform Base

2.4 Arm Rest Installation

Detachable arm rests that can be rotated up and down for easy patient access.



Figure 2-14. Detachable Arm Rest for the Mechanical Chair Scale

Use the following steps to attach the two arm rests to the molded chair.

1. Align one of the arm rests to the bolt holes located on the back of the chair.

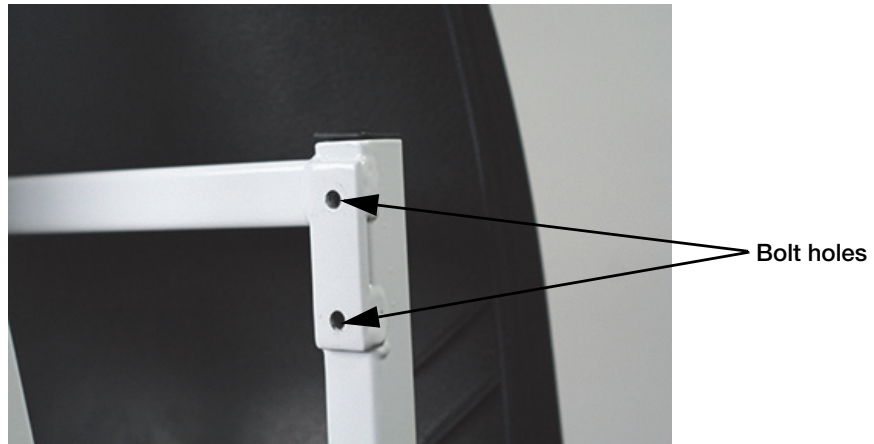


Figure 2-15. Secure Arm Rest to Chair

2. Secure one of the arm rests to the chair using two bolts and the 5 mm Allen wrench (included).



Figure 2-16. Secure Arm Rests to the Molded Chair

3. Repeat steps 1-2 for the other arm rest.



Figure 2-17. Secured Arm Rests

3.0 Zero Adjustment

To ensure accurate weighments, a zero adjustment must be done prior to first use. To perform a zero adjustment,

1. Ensure the scale is sitting on a level surface.
2. Check the eye loop area on the scale to ensure that the scale pointer is equally balanced in the eye loop.

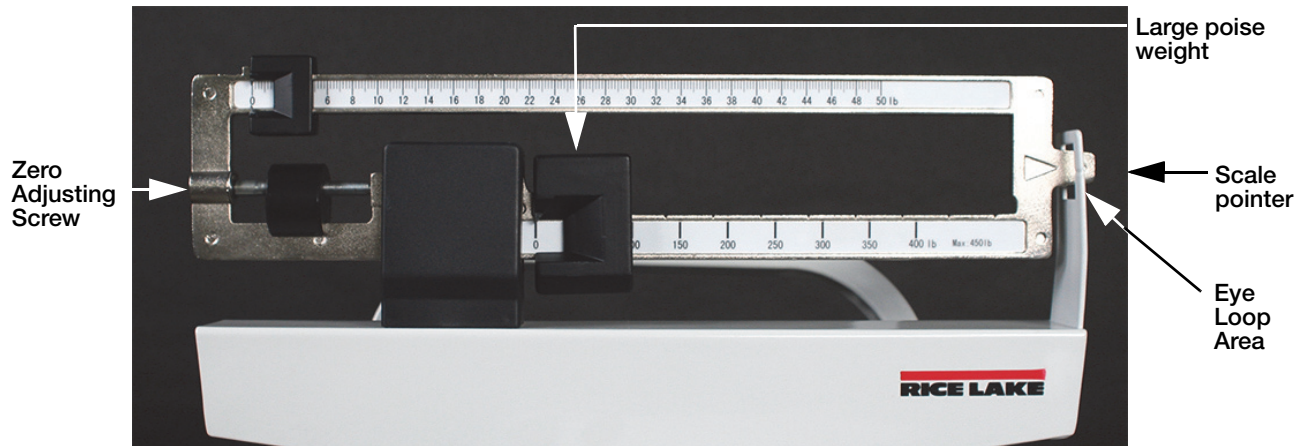


Figure 3-1. Zero Adjusting Screw Location (pound model shown)

3. Turn the zero adjusting screw until the scale pointer is in the center of the eye loop when set to zero.
4. The scale is now ready to weigh patients.



WARNING The patient should be completely seated in the chair, not leaning forward, and having feet firmly positioned on the footrest assembly while being weighed.

4.0 Appendix

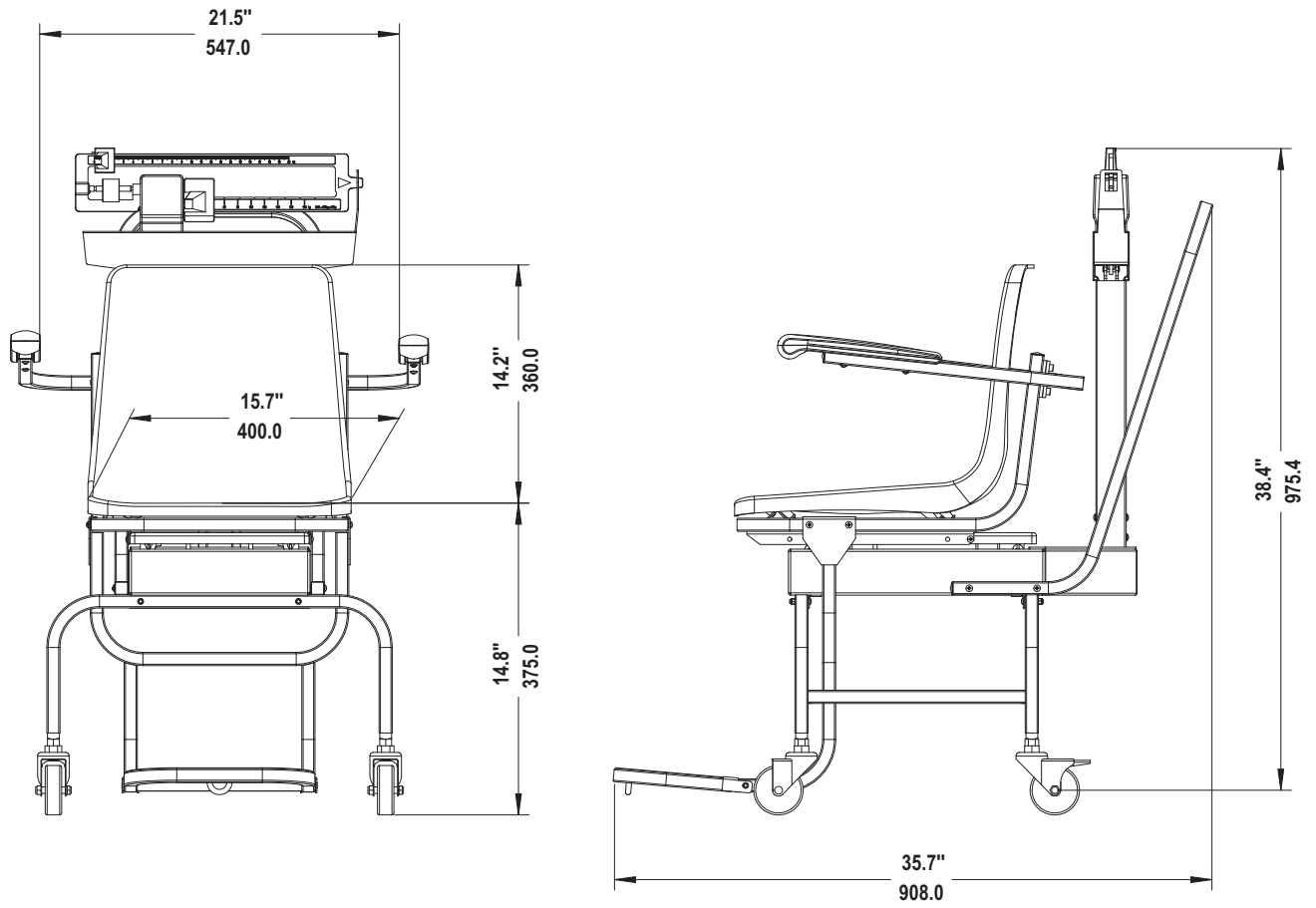


Figure 4-1. Mechanical Chair Scale Dimensions

Rice Lake Mechanical Chair Scale Limited Warranty

Rice Lake Weighing Systems (RLWS) warrants that all RLWS equipment and systems properly installed by a Distributor or Original Equipment Manufacturer (OEM) will operate per written specifications as confirmed by the Distributor/OEM and accepted by RLWS. All systems and components are warranted against defects in materials and workmanship for two years.

RLWS warrants that the equipment sold hereunder will conform to the current written specifications authorized by RLWS. RLWS warrants the equipment against faulty workmanship and defective materials. If any equipment fails to conform to these warranties, RLWS will, at its option, repair or replace such goods returned within the warranty period subject to the following conditions:

- Upon discovery by Buyer of such nonconformity, RLWS will be given prompt written notice with a detailed explanation of the alleged deficiencies.
- Individual electronic components returned to RLWS for warranty purposes must be packaged to prevent electrostatic discharge (ESD) damage in shipment. Packaging requirements are listed in a publication, *Protecting Your Components From Static Damage in Shipment*, available from RLWS Equipment Return Department.
- Examination of such equipment by RLWS confirms that the nonconformity actually exists, and was not caused by accident, misuse, neglect, alteration, improper installation, improper repair or improper testing; RLWS shall be the sole judge of all alleged non-conformities.
- Such equipment has not been modified, altered, or changed by any person other than RLWS or its duly authorized repair agents.
- RLWS will have a reasonable time to repair or replace the defective equipment. Buyer is responsible for shipping charges both ways.
- In no event will RLWS be responsible for travel time or on-location repairs, including assembly or disassembly of equipment, nor will RLWS be liable for the cost of any repairs made by others.

THESE WARRANTIES EXCLUDE ALL OTHER WARRANTIES, EXPRESSED OR IMPLIED, INCLUDING WITHOUT LIMITATION WARRANTIES OF MERCHANTABILITY OR FITNESS FOR A PARTICULAR PURPOSE. NEITHER RLWS NOR DISTRIBUTOR WILL, IN ANY EVENT, BE LIABLE FOR INCIDENTAL OR CONSEQUENTIAL DAMAGES.

RLWS AND BUYER AGREE THAT RLWS'S SOLE AND EXCLUSIVE LIABILITY HEREUNDER IS LIMITED TO REPAIR OR REPLACEMENT OF SUCH GOODS. IN ACCEPTING THIS WARRANTY, THE BUYER WAIVES ANY AND ALL OTHER CLAIMS TO WARRANTY.

SHOULD THE SELLER BE OTHER THAN RLWS, THE BUYER AGREES TO LOOK ONLY TO THE SELLER FOR WARRANTY CLAIMS.

NO TERMS, CONDITIONS, UNDERSTANDING, OR AGREEMENTS PURPORTING TO MODIFY THE TERMS OF THIS WARRANTY SHALL HAVE ANY LEGAL EFFECT UNLESS MADE IN WRITING AND SIGNED BY A CORPORATE OFFICER OF RLWS AND THE BUYER.

© Rice Lake Weighing Systems, Inc. Rice Lake, WI USA. All Rights Reserved.