

WIN  CARE

**MANGAR**

CLEANING &  
DISINFECTATION GUIDE

## Airflo Compressors

**Routine cleaning** – Unplug the Airflo from the battery charger or mains power supply. Clean the external surfaces using a non abrasive damp cloth with warm water. Wipe dry thoroughly with a dry towel before reconnecting to the battery charger or mains power supply. Do not allow moisture to enter any part of the compressor.

Do not use solvent-based products.

**Disinfection** – Pre-clean the Airflo compressor by wiping with a damp cloth and then disinfect by wiping with a 1:10 solution of household liquid bleach and water - 1 part bleach to 10 parts cold water (10,000ppm (1%) Sodium Hypochlorite solution). Do not allow moisture to enter any part of the compressor. Allow to air dry.

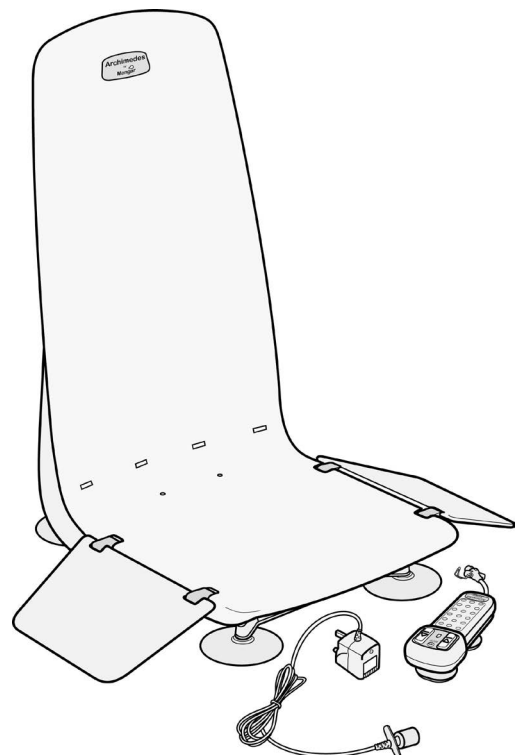


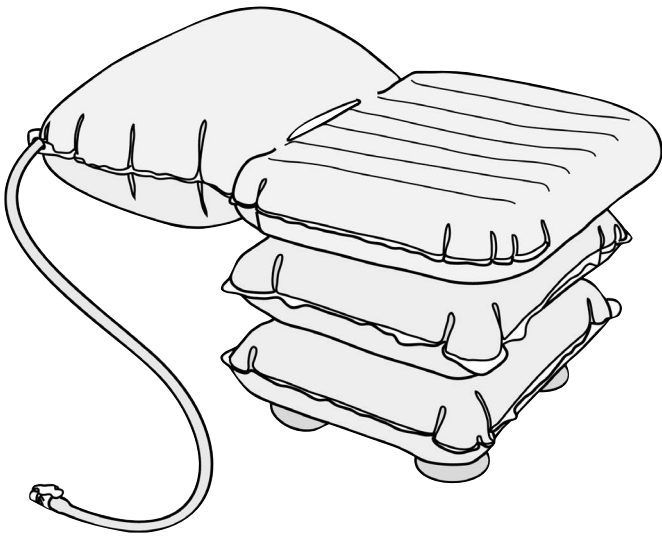
## Archimedes Bathlift

**Routine cleaning** – Regularly clean the Archimedes with the same non-abrasive cleaners normally used to clean the bath and wipe dry or leave to air dry. It is best to separate the base and seat sections before cleaning.

**Disinfection** - All components should be pre-cleaned and then disinfected by wiping with a 1:10 solution of household liquid bleach and water - 1 part bleach to 10 parts cold water (10,000ppm (1%) Sodium Hypochlorite solution). Leave the solution on the surface for approximately 10 minutes before thoroughly rinsing off with clean cold water.

**NOTE:** It is especially important to thoroughly clean the Archimedes after each bath if 'Dettol' or similar products have been added to the bath water.





## Bathing Cushion

Clean the Bathing Cushion after each use.

**NOTE:** It is especially important to thoroughly clean your Bathing Cushion after each bath if 'Dettol' or similar products have been added to the bath water.

Do not use bath additives containing peanut oil as this can damage the suction cups. If such additives have been used, ensure that the suction cups are thoroughly washed and rinsed to remove residues.

### **Routine cleaning**

- Drain the bath water and fully inflate the Bathing Cushion for cleaning whilst it is still in the bath. To clean between the seat and base sections, partially deflate the Bathing Cushion.
- All components can be cleaned with a proprietary non abrasive mild liquid cleaner or disinfectant. Always follow packaging instructions for using mild detergent products.  
**NOTE:** Before using proprietary cleaners, always test on an inconspicuous area.
- Use a soft cloth when cleaning.
- Do not wash the product in boiling water.

**IMPORTANT:** Following cleaning and after each use, rinse thoroughly with clean water to remove all soap deposits. Wipe dry or leave to air dry. Never store the Bathing Cushion when it is wet or damp. It is recommended that the Bathing Cushion is left inflated in-between uses to allow air to circulate around it and reduce the risk of mould forming on the surface of the product. Do not leave in bright sun light. **Do not dry using hot air.**

### **Disinfection**

The Bathing Cushion should be fully inflated and pre-cleaned as per 'routine cleaning', thoroughly rinsed and then disinfected using a 1:10 solution of household liquid bleach and water - 1 part bleach to 10 parts cold water (10,000ppm (1%) Sodium Hypochlorite solution). Leave the solution on the Bathing Cushion for approximately 10 minutes before thoroughly rinsing off with clean cold water.

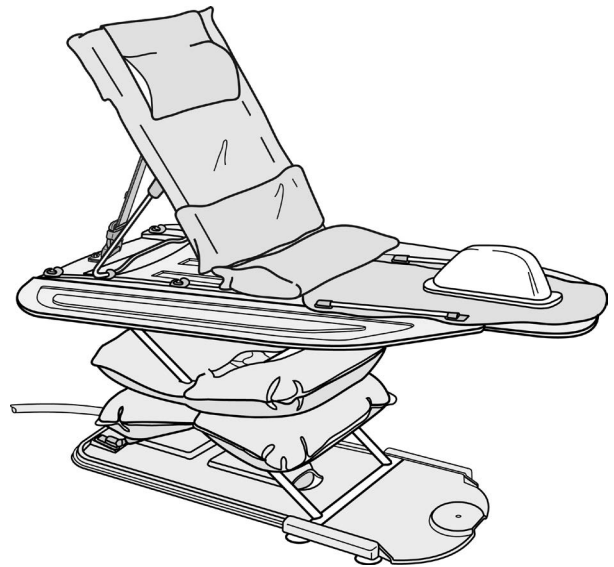
**WARNING:** Never mix bleach with any other cleaning product as doing so can result in the formation of harmful acids and poisonous gasses which can cause serious breathing problems. Thick bleach should not be used for disinfection purposes (other than in toilet bowls and drains) as it contains potentially poisonous additives. Always read the safety information on the label before using any bleach product.

## Surfer Bather

**Routine cleaning** - After use, fully inflate to raise the platform and rinse with clear water to remove soaps and impurities. The bellows, platform, scissors and base board can be cleaned with a non abrasive proprietary liquid cleaner or disinfectant. Wipe dry or leave to air dry. **Do not dry using hot air.**

The backrest netting and straps can be machine washed to 60°C and tumble dried. Do not iron. May be dry cleaned.

**Disinfection** - All components should be pre-cleaned (with the bellows fully inflated) by washing with detergent and water and then thoroughly rinsed before disinfecting using a 1:10 solution of household liquid bleach and water - 1 part bleach to 10 parts cold water (10,000ppm (1%) Sodium Hypochlorite solution). Leave the solution on the surface for approximately 10 minutes before thoroughly rinsing off with clean cold water. **Do not dry using hot air.**



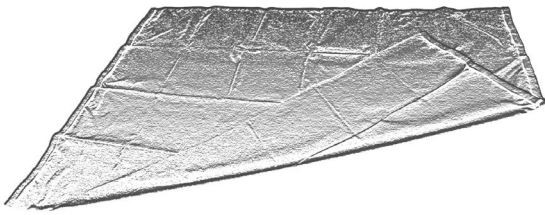
## ELK / CAMEL / EAGLE

**Routine cleaning** - Fully inflate all sections of the ELK/CAMEL/EAGLE, sponge clean with a non abrasive proprietary liquid cleaner or disinfectant and dry thoroughly. **Do not dry using hot air.**

**Disinfection** - Inflate the ELK/CAMEL/EAGLE, pre-clean by sponging with a detergent solution followed by disinfection using a 1:10 solution of household liquid bleach and water - 1 part bleach to 10 parts cold water (10,000ppm (1%) Sodium Hypochlorite solution). Leave the solution on the ELK/CAMEL/EAGLE for approximately 10 minutes before thoroughly rinsing off with clean cold water. **Do not dry using hot air.**



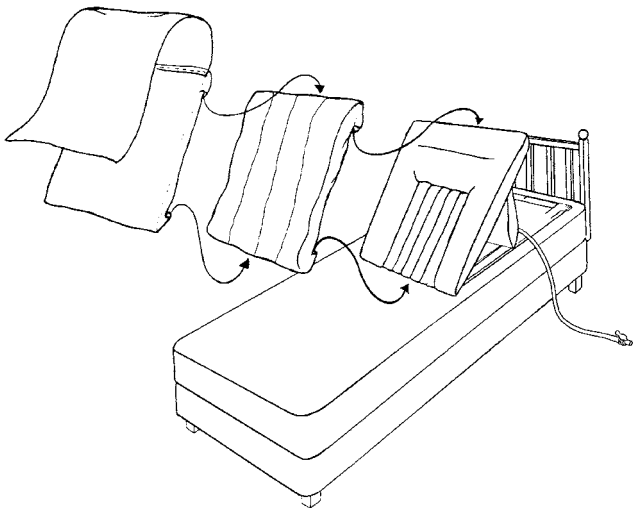
## Slide Sheet



**Routine cleaning** – Hand wash or machine wash up to a maximum of 74°C, shake, drip dry or short tumble dry on Low-Medium heat.

Do Not use chlorine bleach.

## Handy Pillow Lift (HPL)



**Routine cleaning** - Remove the cover and inflate the HPL. Sponge clean with a non abrasive proprietary liquid cleaner or disinfectant and dry thoroughly. The cover can be machine washed up to 40°C; low heat tumble dried and medium heat ironed. Do Not dry clean or use bleach. Restrict the quilt washing temperature to 40°C for maximum product life.

**Disinfection** - The quilt and cover should be removed and the HPL be fully inflated. The HPL should be pre-cleaned by washing with detergent and water and then disinfected using a 1:10 solution of household liquid bleach and water - 1 part bleach to 10 parts cold water (10,000ppm (1% Sodium Hypochlorite solution). Leave the solution on the HPL for approximately 10 minutes before thoroughly rinsing off with clean cold water. **Do not dry using hot air.**

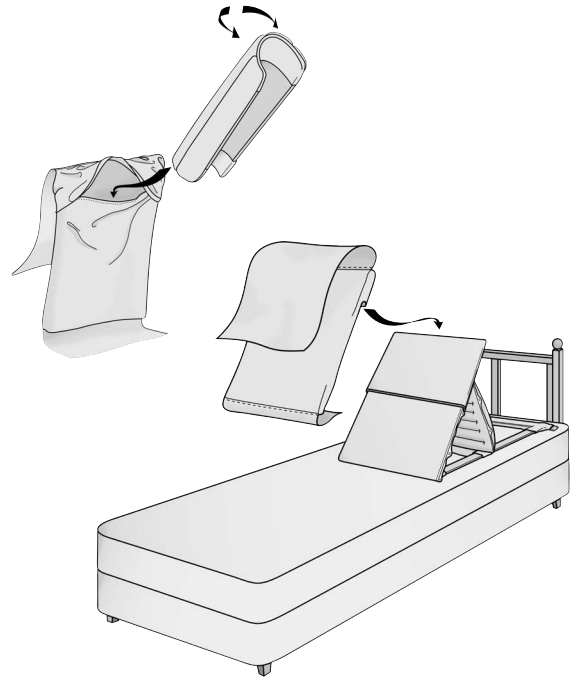
The quilt can be thermal disinfected at 71°C for 3 minutes, followed by tumble drying.

**NOTE:** 'Normal' setting tumble dry temperatures (70°C) can reach 80°C and therefore, a 'Low' temperature (40°C) setting should be used. If thermal disinfection of the quilt at 71°C for 3 minutes is repeatedly carried out, degradation of the quilt's performance can occur.

## Sit-u-Up

**Routine cleaning** - Remove the overlay and inflate the Sit-u-Up. Sponge clean with a non abrasive proprietary liquid cleaner or disinfectant and dry thoroughly. **Do not dry using hot air.**

- The overlay cover can be machine washed up to 40°C; low heat tumble dried and medium heat ironed. Do Not dry clean or use bleach.
- The quilt can be machine washed up to 40°C and tumble dried. Do not dry clean.
- The foam pad can be cleaned with a general purpose detergent and water using a clean disposable cloth. Dry using disposable paper towels and allow to dry thoroughly before inserting back into quilt.

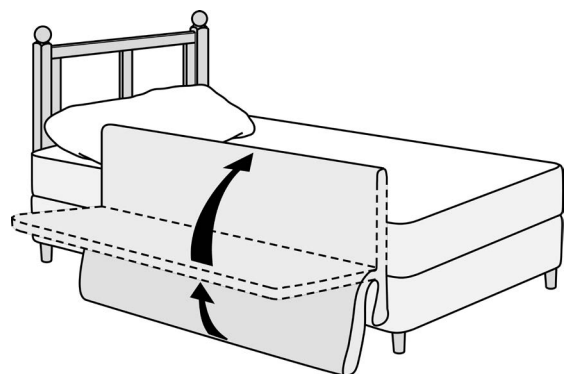


**Disinfection** - The overlay should be removed and the Sit-u-Up fully inflated. The Sit-u-Up should be pre-cleaned by washing with detergent and water and then disinfected using a 1:10 solution of household liquid bleach and water - 1 part bleach to 10 parts cold water (10,000ppm (1%) Sodium Hypochlorite solution). Leave the solution on the Sit-U-Up for approximately 10 minutes before thoroughly rinsing off with clean cold water. **Do not dry using hot air.**

Clean the foam as in 'Routine Cleaning'. Prepare a 1,000 p.p.m. solution of Chlor-Clean and wipe over the foam with a clean disposable cloth. If a white film is left on the foam, wipe over with a disposable cloth rinsed in clean water. Allow to dry thoroughly before inserting back into quilt.

## Leglifter

**Routine cleaning** - Remove the cover and inflate the Leglifter. Sponge clean with a non abrasive proprietary liquid cleaner or disinfectant and dry thoroughly. The cover can be machine washed up to 40°C; low heat tumble dried and medium heat ironed. Do not dry clean or use bleach.



**Disinfection** - The cover should be removed and the Leglifter fully inflated. The Leglifter should be pre-cleaned by washing with detergent and water and then disinfected using a 1:10 solution of household liquid bleach and water- 1 part bleach to 10 parts cold water (10,000ppm (1%) Sodium Hypochlorite solution). Leave the solution on the Leglifter for approximately 10 minutes before thoroughly rinsing off with clean cold water. **Do not dry using hot air.**



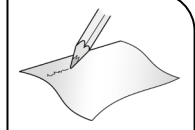
## Ekamove

### **Routine cleaning**

**Control Unit**- Disconnect from the mains power supply. Clean the external surfaces using disinfectant wipes. Wipe dry thoroughly with a dry towel before reconnecting to the mains power supply.

**Air Chambers**- Remove the outer cover. Clean the surfaces of the air chambers using disinfectant wipes. Wipe dry thoroughly or leave to air dry. **Do not dry using hot air.**

**Outer Cover** - Remove the outer cover and machine wash at 95°C.



UK  
CA

CE



# WIN CARE

WinnCare is a trading name of Mangar International Ltd.

UK  
CA 

WINNCARE France

EC REP

