

Support Station

K710 Product Manual





Contents


Important information	2
Safety messages	3
Recommended use	4
Item dimensions	5
Check your order	6
Installation	6
Basic components	7
Accessories	8
Operation	9
Maintenance, cleaning and warranty	10
Materials and user modifications	11

Key for users

Use this key to determine which sections of this product manual apply to you.

 **Technical Users** For professionals who order and set up Rifton products.

 **Home Users** For care-givers who use Rifton products on a regular basis.

 **Maintenance Personnel** For anyone who is responsible for service or re-ordering of Rifton products and parts.

WARNING



- Thoroughly read and understand the information in this product manual before attempting to use this product. If the procedures and instructions in this product manual are not followed, serious injury or death could occur.
- A qualified professional must assess the appropriateness and safety of all equipment for each user.
- This product is intended for use by clients of unreliable judgment. Adult supervision is required at all times.
- To prevent falls and injuries:
 - Ensure the appropriate use of straps and supports at all times. Straps and supports are provided for the safety of the user and must be carefully adjusted for comfort and security.
 - Tighten all adjustment knobs before use and immediately after making any adjustments.
 - Do not adjust the height of the trunk board while in use.
 - Do not use this product for clients outside the height and weight limits specified in this manual.
 - Do not use the pivot feature when the client is unable to move his or her feet.
 - Only use the pivot feature when the trunk board is horizontal.
- To prevent structural failure, which may result in serious injury or death:
 - Inspect this product and accessories regularly for loose or missing screws, metal fatigue, cracks, broken welds, missing attachments, general instability or other signs of excessive wear.
 - Immediately remove this product from use when any condition develops that might make operation unsafe.
 - Do not use Rifton components or products for any purpose other than their intended use.

Recommended use

The Rifton Support Station is a Class 1 medical device. It provides front-leaning support during toileting and hygiene care for children and adults with disabilities. When not in use, it folds neatly against the wall.

The fixed configuration (see Figure 4a) can be used as a stand-alone unit with the kneeboard and padded trunk board. It enables a client to assist in sit-to-stand for clothing adjustment and hygiene care. The client may remain in the assisted upright position for a diaper change or may return to a sitting position on a rolling commode or shower chair. When using the kneeboard, the trunk board cannot pivot.

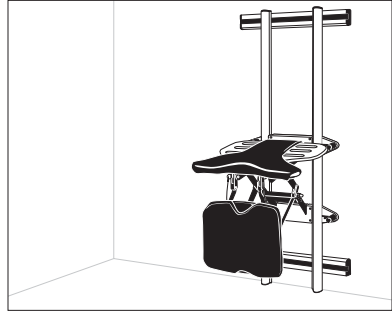


Figure 4a

The pivot configuration (see Figure 4b) can be used as a transfer aid to a stationary toilet. Without the kneeboard, the padded trunk board can pivot 180°. Installed near a standard toilet, a client can use the Support Station to assist in sit-to-stand from a wheelchair and rest their torso on the padded trunk board. Then, while moving their feet, a client can be pivoted to a position close to the toilet.



Figure 4b

User and item dimensions

User dimensions – inches (cm)

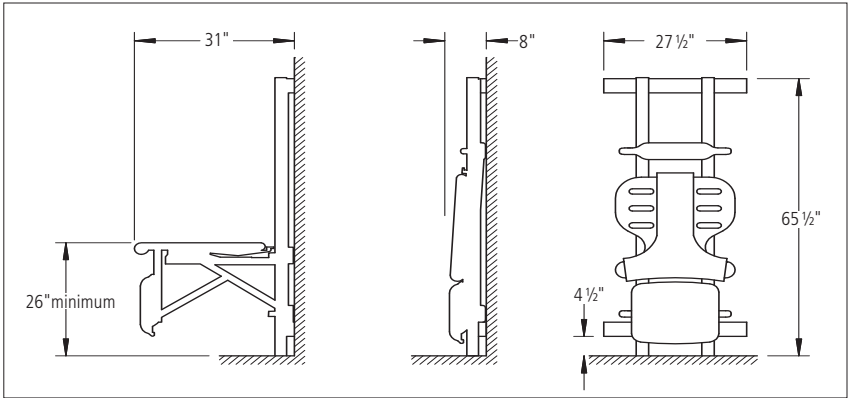
Height 46-80 (117-203)



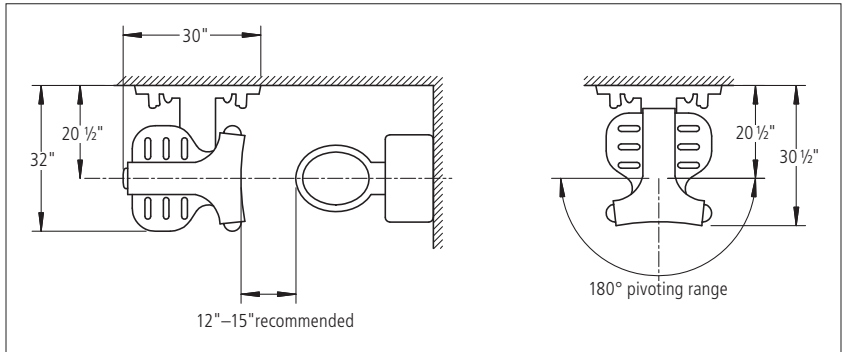
Important: User height and weight must not exceed the maximum.

Item dimensions – inches (cm)

Trunk board size	24x24 (61x61)
Maximum trunk board height	45 (114)
Minimum trunk board height	26 (66)
Max. working load lbs (kg)	250 (113)



Basic dimensions: in use, and folded up with kneeboard.



Suggested layout for installation when used with pivot design.

Check your order

The Rifton Support Station comes fully assembled. Do not dispose of packaging materials until you are completely satisfied that the product is installed properly and working.

If your shipment is incomplete or in any way damaged on arrival, please call Customer Service, 800.571.8198.

Installation

⚠ WARNING To prevent falls and serious injury:

- Make sure the bottom ends of the vertical extrusions rest weight-bearing on the floor.
- A qualified professional, such as a building contractor or maintenance person, must securely install this product to the wall using the following procedure:

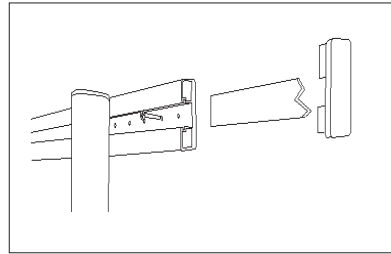


Figure 6a

1. Remove one end cap from each horizontal crosspiece of the frame with a flat-head screwdriver. Slide out the cover strips to access the bolt holes (see Figure 6a). Fasteners are not included. Use fasteners to suit wall construction. Installation must be adequate to support a 250 lb.(113 kg) user.
2. Fasten product securely to the wall with a minimum of two fasteners per horizontal crosspiece.
3. Replace the cover strips and end caps.
4. Frame must be level and perpendicular to the floor so that the height adjusters move and latch smoothly.
5. If height adjusters do not operate satisfactorily, contact Customer Service.

Basic Components

⚠️ WARNING To prevent falls or injury, do not adjust the height or angle of the trunk board with a client on it.

The Rifton Support Station is equipped with two adjustment bars:

- The lower adjustment bar is for setting the height of the trunk board (A).
- The upper adjustment bar is for setting the angle of the trunk board (B).
- The adjustment bars can be worked from either side. Grasp the handle (C) from one side only, lift the handle, and squeeze the trigger (D) (see Figure 7b) while using your other hand to lift on the front edge of the trunk board (see Figure 7a). The built-in safety stop will prevent you from squeezing the trigger while the trunk board is bearing weight.
- Move the adjustment bar to the desired position and release the trigger, allowing the trigger to engage into the nearest position.
- Height of trunk board from floor is indicated on the inside of the frame (E), referenced from the top edge of the lower adjustment bar (see Figure 7b).
- The trunk board may be folded against the wall while not in use. To do this, set the lower adjustment bar to less than 37", then raise the upper adjustment bar to its maximum. If the kneeboard is not attached, make sure the pivot latch is rotated to center before collapsing the trunk board.



Figure 7a

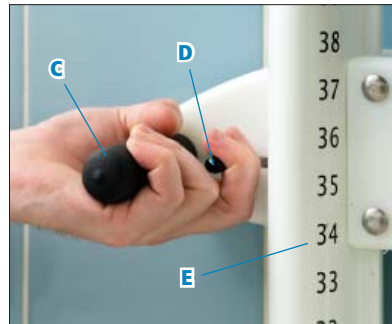


Figure 7b

Pivot Configuration

The trunk board can rotate to facilitate transfers to a stationary toilet. This feature does not function with the kneeboard attached. The trunk board must be horizontal before using the pivoting feature (see Figure 8a).

The rotation of the trunk board can be set in 15° increments using the pivot latch (see Figure 8a). Press down on the pivot latch handle (A) firmly while rotating the trunk board. Release the latch and allow it to engage into the nearest position. The trunk board can be rotated 180 degrees.

Removal of kneeboard

To remove the kneeboard, pull out the four quick-release pins (B) underneath the trunk board. To install the kneeboard, line up the braces and insert the pins (see Figure 8b).

Accessories

Handholds

The handholds can be secured in the slots of the trunk board for users who require a vertical hold. To attach the handhold, remove the nut from the bottom and assemble it again through the slot in the trunk board (see Figure 8c).

Support strap

⚠️ WARNING To avoid falls or injury, adult supervision is required at all times. The support strap is not a substitute for close caregiver supervision.

The support strap (C) can be secured around the user's trunk to help maintain position on the trunk board (see Figure 8d). To attach the strap on the trunk board, fasten the short straps (D) around the edge of the trunk board and through the hand slot (see Figure 8e).

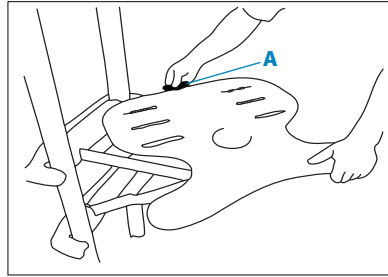


Figure 8a



Figure 8b



Figure 8c



Figure 8d

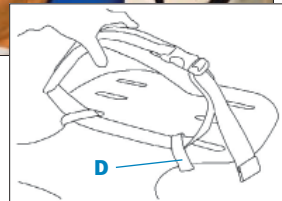


Figure 8e

Operation

- Adjust the trunk board to the appropriate height and angle for the user. The recommended height is just below the hips of the user.
- Wheel the client to the Support Station facing the padded concave trunk board (see Figure 9a).
- With the handholds or slots the user can assist, pulling up or forward, or can be helped up onto the trunk board to support the upper body.
- Secure the support strap if needed (see Page 8).
- The cutouts on the sides of the trunk board may be used for additional support for the elbows.
- While the user is positioned securely on the trunk board, the caregiver can complete necessary care and clothing adjustments.

Fixed configuration

When the user is securely positioned with the upper body supported by the trunk board, the wheelchair can be removed and replaced by a portable toilet.

Pivot configuration

Securely position client on the trunk board. Pivot user and trunk board to enable access to the fixed toilet. The client must have enough leg control to move the feet during pivot.

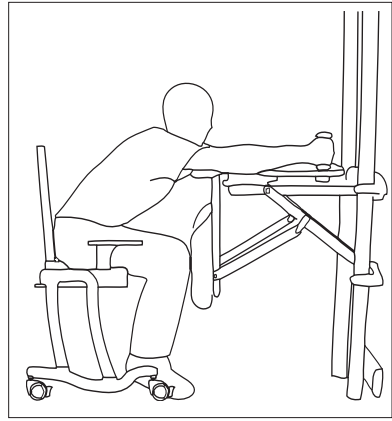


Figure 9a. The user approaching the trunk board and reaching out for the handholds.

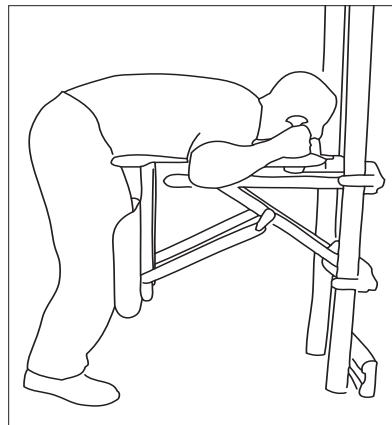


Figure 9b. The user in the raised position.

Maintenance 🗝️

This product is designed and tested for an expected life of 5 years when used and maintained in accordance with this manual. At all times, users must ensure that the product remains in a safe and useable condition, including regular maintenance and inspections as specified in the manual.

To prevent structural failure, which may result in serious injury or death:

- Inspect this product and accessories regularly for loose or missing screws, metal fatigue, cracks, broken welds, missing attachments, general instability or other signs of excessive wear.
- Immediately remove this product from use when any condition develops that might make operation unsafe.
- Do not use Rifton components or products for any purpose other than their intended use.
- Replace or repair components or products that are damaged or appear to be unstable.
- Use only Rifton authorized replacement parts. Order information for replacement parts is provided on the back of this product manual.

Cleaning 🧑 🏠 🗝️

As needed, clean with disinfectant wipes or a solution of up to 10% bleach. Do not use excessive amounts of water. Do not use pine oil cleaners.

Warranty Statement 🧑 🏠 🗝️

If a Rifton product breaks or fails in service during the first year, we will replace it free of charge.

Materials 🧰

- Steel hardware items (nuts, bolts, screws, etc) are typically zinc or nickel plated, or stainless steel.
- Upholstery items (pads, support blocks, padded prompts, etc) are typically polyurethane foam with a fire-retardant cover made from expanded vinyl.
- Frames are typically steel or aluminum tubing, welded together, and coated with a baked-on paint finish. Some frame components may also be stainless steel.
- Straps are typically made of polypropylene or nylon webbing.
- Plastic components are typically injection molded from a variety of industrial resins.

All materials are latex, lead and phthalates free.

User modifications 🧑🏠🧰

⚠️ WARNING To prevent serious injury or death, do not modify or alter Rifton products or components, or use Rifton products or components in conjunction with products from other manufacturers. Rifton does not accept responsibility for any modifications or alterations made to our components or products after they leave our premises. Customers modifying or altering our components or products, or using them in conjunction with products from other manufacturers, do so at their own risk.