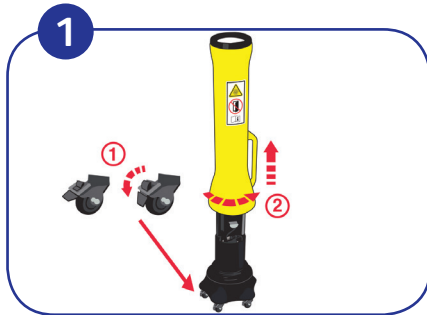
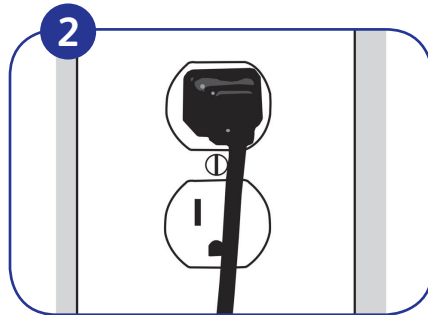


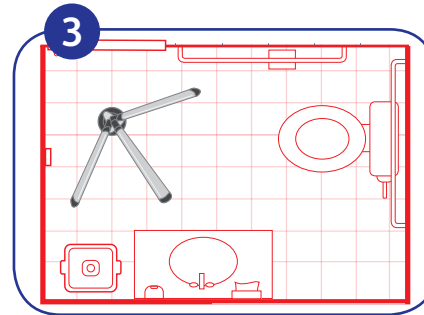
MoonBeam™3 Quick Reference Guide



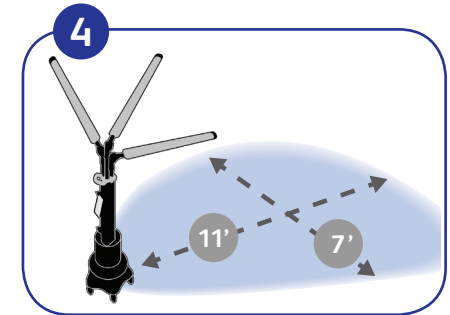
Set the MoonBeam™3 Base Unit in the desired location for disinfection. Lock caster wheels by pressing down on foot lever. Twist Remote Cover and lift to remove from the Base Unit.



Plug in the power cord to a grounded electrical wall socket.



Move the MoonBeam™3 to the area to be disinfected.



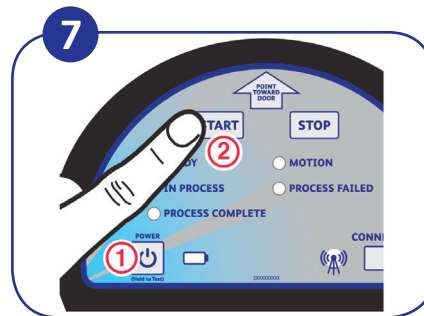
Position the arms in an inverted “peace sign” configuration and angle lights to cover an area up to 7’ (2.1m) by 11’ (3.3m) for each arm.



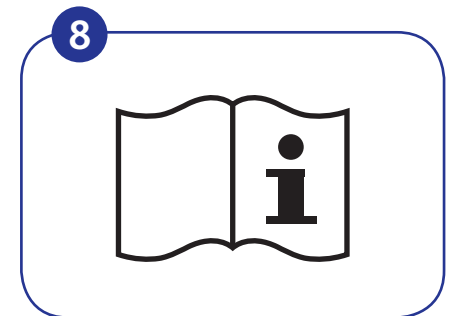
The MoonBeam™3 will disinfect the targeted area for the time duration selected on the Base Unit. Select the 3 minute cycle time.



Place the Remote Cover outside of the room against the door. The built-in safety of the Remote Cover includes a proximity sensor to detect if the door is opened while MoonBeam™3 is in operation.



Press the Power button, and then wait a few seconds for the system to come to ready. Press the Start button on the Remote Cover to begin the disinfection process cycle. Upon completion, the Process Complete indicator will be illuminated on the Remote Cover. The targeted area is now disinfected and ready for use.



For comprehensive product information, refer to the MoonBeam™3 User's Manual.

Questions: 1-800-558-2332

Always wear personal protective equipment.