

Date _____
 Sales Representative _____
 Dealer _____
 Address _____
 City _____ State _____ Zip _____
 Phone _____
 Fax _____
 Email _____
 Shipping Method: Pick-up Common Carrier
 Opportunity Reference / Project Name _____

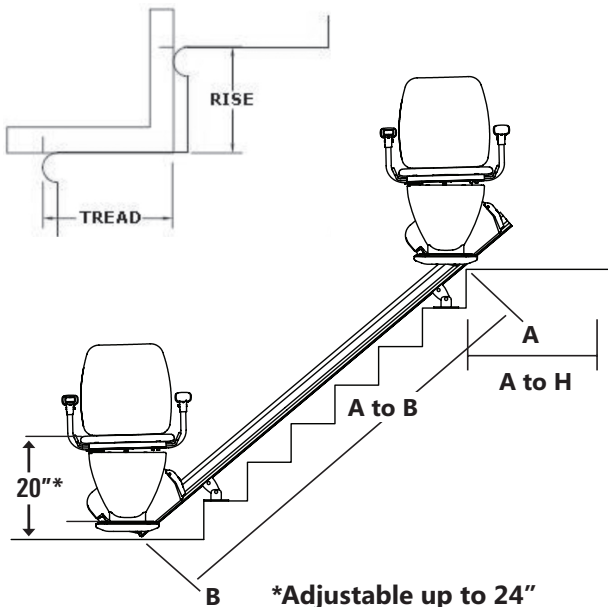
Quote Order
 Account Number _____
 Purchase Order Number _____
 Ship To Address _____

 Contact _____
 Phone _____
 Projected Close Date _____

PARTS & OPTIONS

Track	Upholstery	Other Accessories
<input type="checkbox"/> Rail Length - Standard 16' <input type="checkbox"/> SL600RAdditional Feet of Rail _____ <input type="checkbox"/> SL600CCustom Cut (Indicate Custom Length Including Top Overrun) _____ <input type="checkbox"/> SL600FRFolding Rail <input type="checkbox"/> Left <input type="checkbox"/> Right	<input type="checkbox"/> Almond (Standard) <input type="checkbox"/> Bluebell <input type="checkbox"/> Alpine <input type="checkbox"/> Ruby	<input type="checkbox"/> SL610Key Lock on Lift <input type="checkbox"/> SL600TB1...Tall Brackets # of Sets _____ (Two per set. No charge for 1st set.)

HOW TO MEASURE



Measurements

_____ **A to B** - Inches from top landing to bottom floor
 _____ **A to H** - Inches from top landing to nearest obstruction—for example, a door
Rise _____ inches **Tread** _____ inches

Notes

13" Overrun recommended if top landing is clear
 (This is added to the A to B)