



Brewer
more possibilities

MEDICAL SEATING SERIES

CENTURY

SERIES Preferred by medical facilities worldwide.



Optional adjustable
contoured backrest with
black plastic shroud

16" wide, 4" thick
poly-foam seat cushion

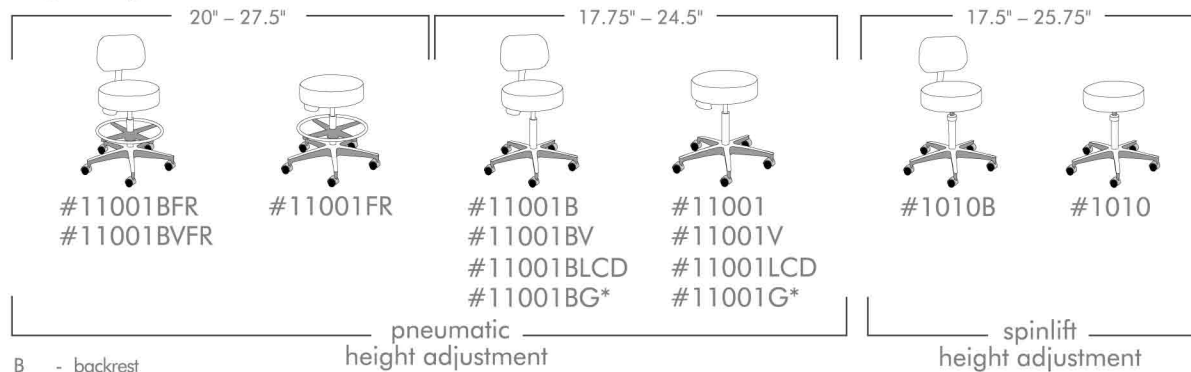
Pneumatic or precision
spinlift height adjustment

Optional adjustable
chrome foot ring

Chrome hooded
dual wheel casters

Five-leg, 23" brushed aluminum
accent base

height range



B - backrest
V - seamless/vacuum formed
LCD - locking casters
G - glides
FR - foot ring

*Height range 16.75" – 23.5"

VALUE PLUS SERIES

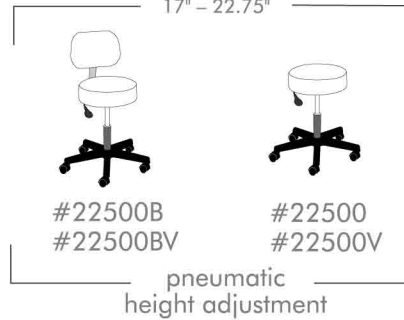
Affordable without compromising style and reliability.



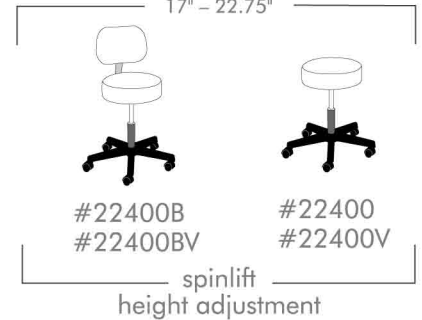
- 1 Optional adjustable contoured backrest with black plastic shroud
- 2 15" wide, 4" thick poly-foam seat cushion
- 3 Black plastic dual-wheel nylon casters
- 4 Pneumatic or spinlift height adjustment
- 5 Five-leg, 21" black ABS plastic composite base

height range

17" - 22.75"



17" - 22.75"



V - seamless/vacuum formed
B - backrest

TRADITION SERIES

Economical exam stools that stand the test of time.



- 1 14" wide, 3.5" thick poly-foam seat cushion
- 2 Optional chrome round or square foot ring
- 3 Sturdy four-leg, 19.5" chrome base
- 4 2" rubber wheel, ball bearing casters

height range

19.5" - 27.5"



MILLENNIUM SERIES

Premium specialty seating with ergonomic design.



TASK

- 1 18.5" wide contour poly-foam seat cushion; fully adjustable forward seat tilt
- 2 Pneumatic height adjustment: 18" - 24.75"
- 3 Adjustable backrest with synchronized traversing movement of seat; black plastic shroud
- 4 Dual-wheel nylon casters
- 5 Five-leg powder coated black aluminum base

Ergonomic design; seamless upholstery standard



#21435BA

#21435B
w/o arm rests



LAB

- 1 18.5" wide contour poly-foam seat cushion
- 2 Pneumatic height adjustment: 20.75" - 31" w/glides
21.75" - 32" w/o glides
- 3 Adjustable contoured backrest with black plastic shroud
- 4 18" foot ring
- 5 Dual-wheel nylon casters
- 6 Five-leg powder coated black aluminum base

Ergonomic design; seamless upholstery standard



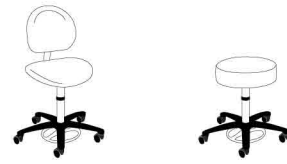
#21521B
#21520B
w/glides



SURGEON

- 1 18.5" wide contour poly-foam seat cushion
- 2 Hands-free foot pneumatic height adjustment: 19" - 24"
- 3 Adjustable contoured backrest with black plastic shroud
- 4 Dual-wheel nylon casters; available with optional locking casters
- 5 Five-leg powder coated black aluminum base

Ergonomic design; seamless upholstery standard



#21340B
w/seamless
upholstery

#21340
w/o back rest
and sewn upholstery

All seating comes with a 5-year warranty and is available in 50 standard colors.

The Brewer Company reserves the right to improve or modify the design of its products consistent with new methods and techniques.

Call your local Brewer sales representative to learn about our complete product line.

The Brewer Company
13901 Main Street, Menomonee Falls, WI 53051
1.888.Brewer.1 www.brewercompany.com

Brewer
more possibilities