

Poseidon's Hideout Install

STEP: 1

Connect both halves using twelve (12) 3.5-inch bolts, twenty-four (24) Washers and twelve (12) Lock Nuts.

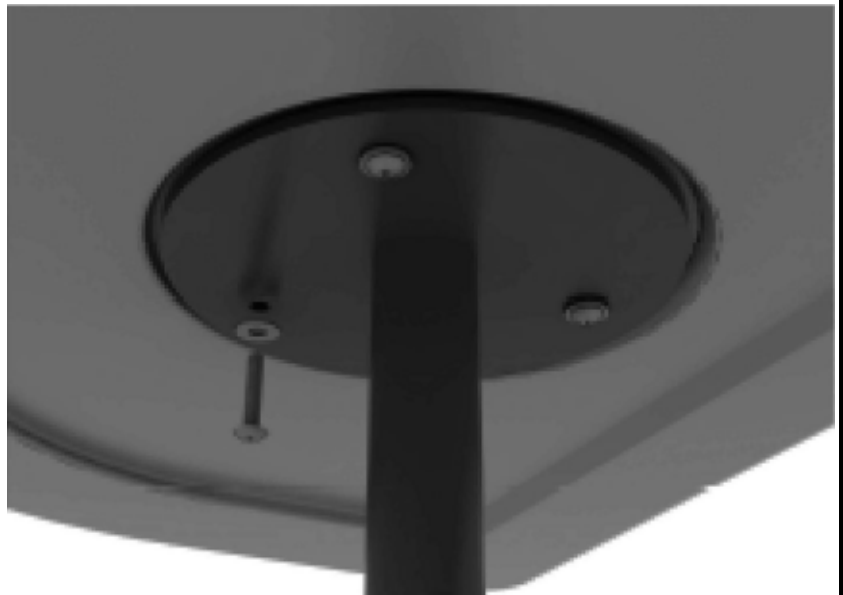
Secure bolt cover in place with washer and lock nut. Finally place cap on bolt cover.



STEP: 2

Under climber, locate and mount climber support to climber using three (3) 1-inch bolt three (3) washers and three (3) security bolts per mount.

See general installation guide regarding footing information.



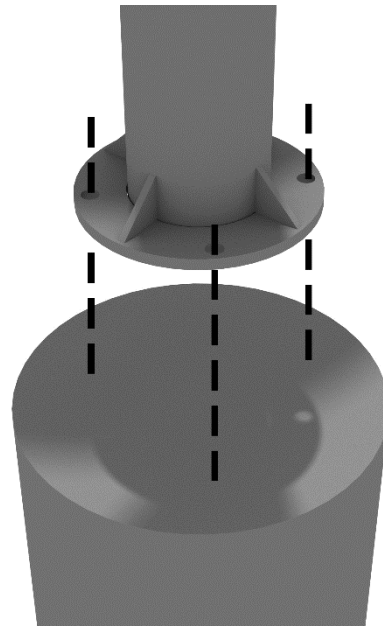
10859 Washington St. Suite 200
Indianapolis, IN
1-800-667-0097

Created By: Matt N.
Date Modified:02/02/22

Surface Mount Install

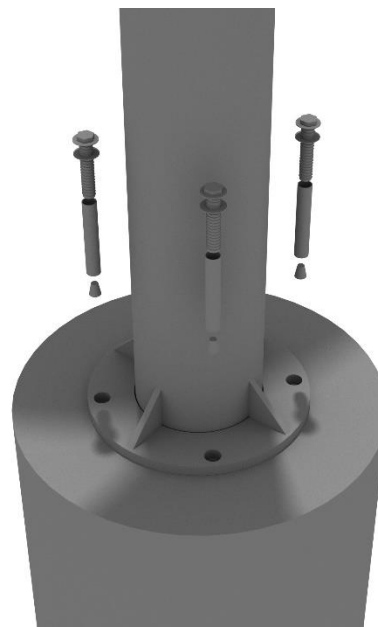
STEP: 1

Refer to the General Installation Guide for information on footings for a primary support post. Once concrete has been set, mark your drill placement by using the mounting bracket holes, then bore out an appropriately sized anchor point in the concrete.



STEP: 2

Place the equipment mounting plate back over the holes and insert the Concrete Anchor Bolts (Not Supplied). Install Anchor Bolts as directed by anchor bolt manufacturer.



Surface Mount Install

STEP: 3

Connect plastic mount cover over the surface mount plate and bolt the two pieces together using the supplied hardware.

