



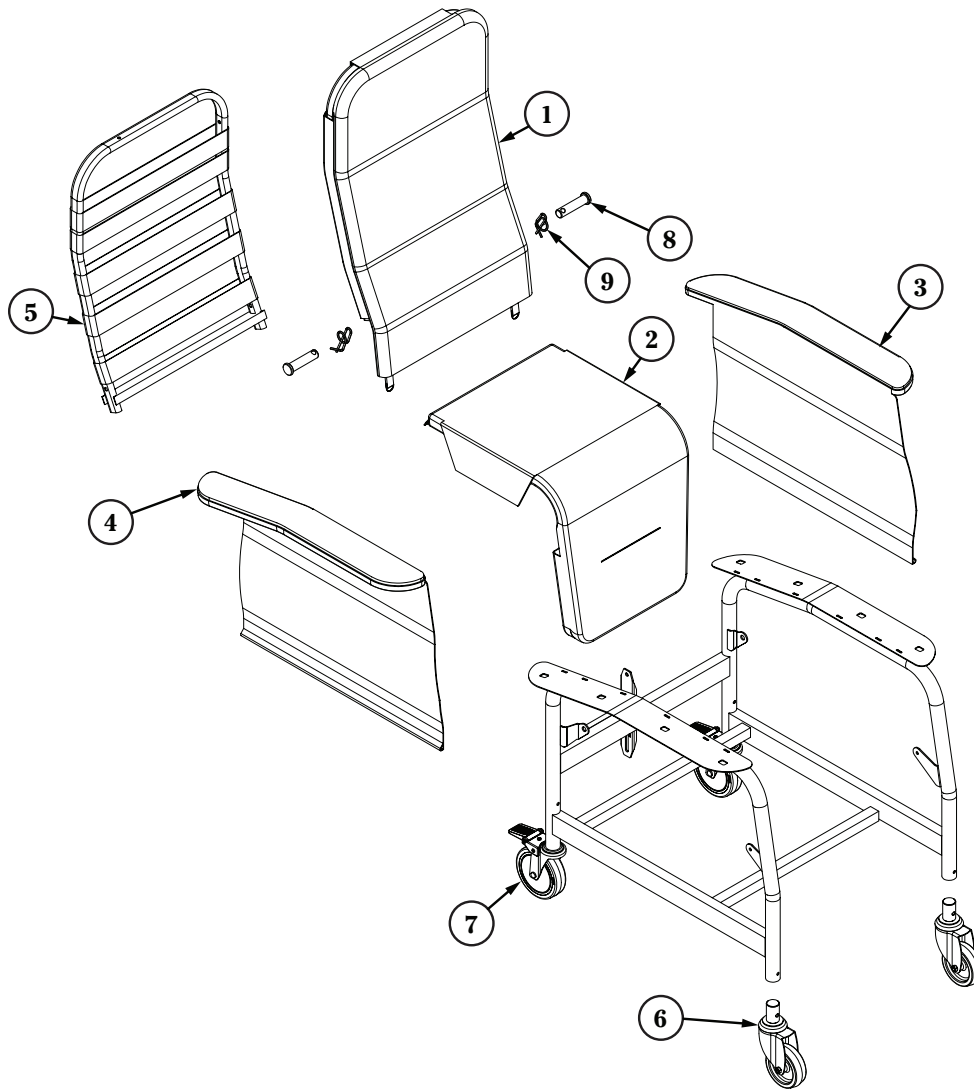
---

**Returns:** Parts may not be returned without prior authorization from GF Health Products, Inc. Custom parts cannot be returned for credit. Please refer to GF Health Products, Inc. Terms and Conditions for further information.

GF Health Products, Inc. is not responsible for typographical errors. Packaging, warranties, products and specifications are subject to change without notice. Lumex® and Graham-Field® are registered trademarks of GF Health Products, Inc.



# 565G Recliner: Replacement Parts List



	ITEM NUMBER	DESCRIPTION	QTY/UNIT
1A	56512UXXX	Back Upholstery	1 each
1B	56512UXXXFR	Back Upholstery (CA-133 Fire Rated)	1 each
2A	56511UXXX	Seat and Legrest Upholstery	1 each
2B	56511UXXXFR	Seat and Legrest Upholstery (CA-133 Fire Rated)	1 each
3A	56558UXXX	Armrest/Sidepanel Upholstery, Left	1 each
3B	56558UXXXFR	Armrest/Sidepanel Upholstery, Left (CA-133 Fire Rated)	1 each
4A	56559UXXX	Armrest/Sidepanel Upholstery, Right	1 each
4B	56559UXXXFR	Armrest/Sidepanel Upholstery, Right (CA-133 Fire Rated)	1 each
5	UW420000	Flex Back Webbing, 2"	1 each
6	WC150006	Front Caster	1 each
7	WW170007	Rear Caster	1 each
8	HP327220	Clevis Pin	1 each
9	HP349160	Rue Ring Cotter Clip	1 each