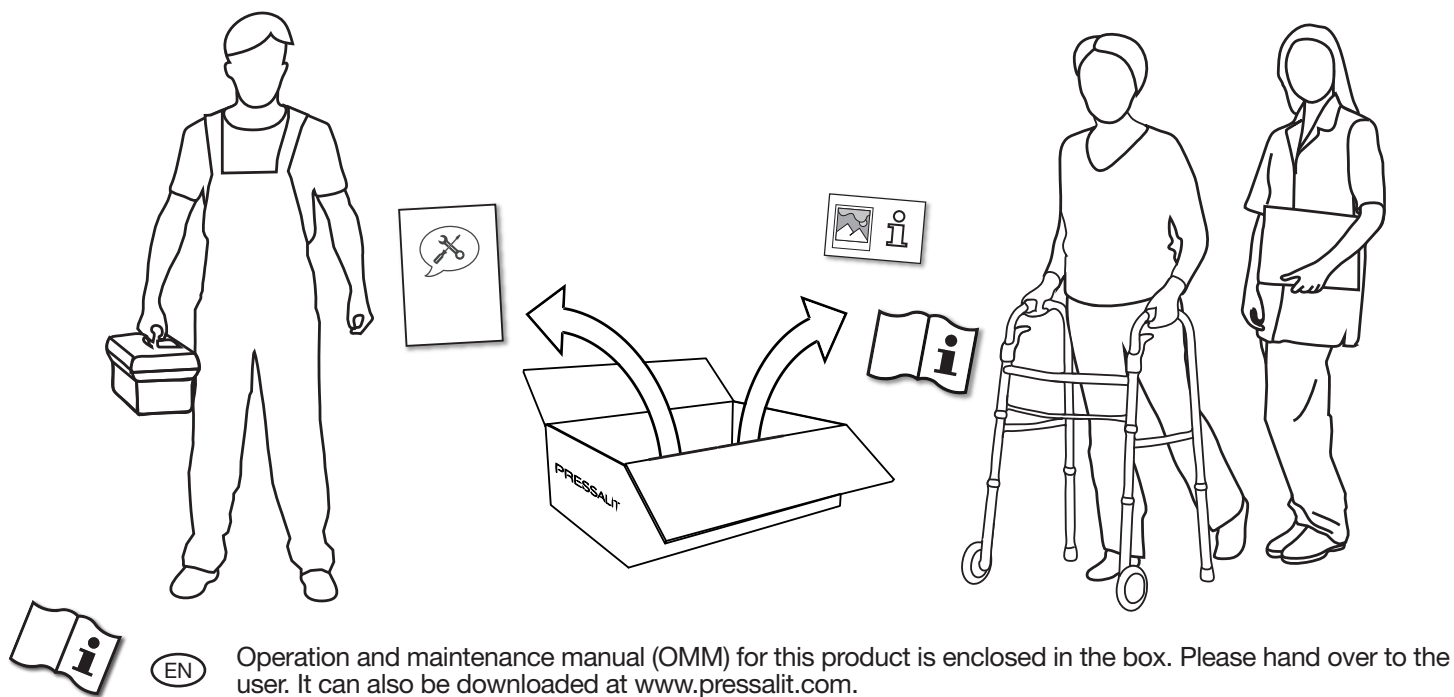


Subject to change without further notice.





(EN)

Operation and maintenance manual (OMM) for this product is enclosed in the box. Please hand over to the user. It can also be downloaded at www.pressalit.com.



(EN)

An operation signage (quick guide) for use by people with reading or cognitive disabilities, is enclosed in the box. It can also be downloaded at www.pressalit.com. User information is not available in braille.



Mounting Instruction

Please read and carefully follow these instructions. Find the product number on the product label and ensure that these assembly instructions match your product.

WARNING: Failure to comply with these instructions may result in accidents involving serious personal injury or the product being damaged.

WARNING: If you suspect that any individual parts may be damaged, contact your Pressalit dealer or service provider. Do not remove, attempt to repair or install parts yourself, unless directed to do so by Pressalit or its agents.

WARNING: No modification of this equipment is allowed without express authorization from Pressalit.

WARNING: These instructions must be followed, and the product must be installed professionally by a qualified person; e.g. a licensed plumber, in order to avoid personal injury or property damage while using the product.

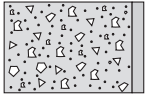
WARNING: Pressalit cannot be held liable for injury to persons or damage to property caused by faulty mounting.

Installation location

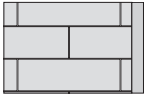
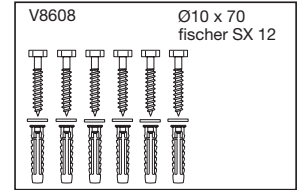
This product is designed for indoor use in a wet environment, such as a bathroom or washroom. When choosing an installation location, ensure that there will be adequate space for access to the product.

Assembly and installation

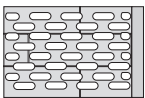
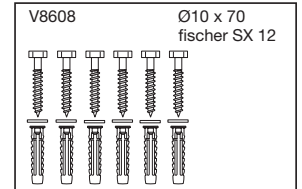
Mount the product against a wall in accordance with the illustrations in this assembly instruction. Contact your Pressalit agent, if assistance is needed when installing the product.



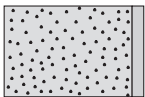
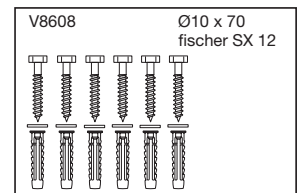
Concrete >B25



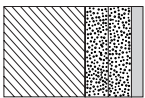
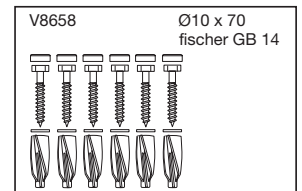
Solid Brick \geq Mz12



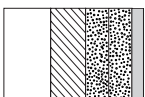
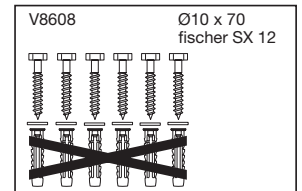
Solid Sand Lime Brick \geq Hlz12



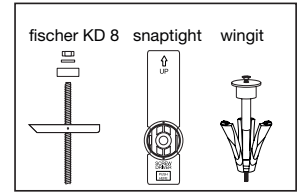
Aerated Concrete P4



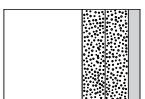
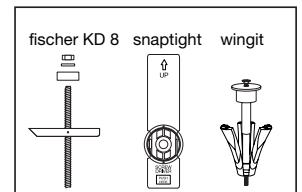
Drywall water-resistant, re-enforced with wood
(2 x 12,5 mm)



Drywall water-resistant, re-enforced with plywood
(2 x 12,5 mm)
22 mm



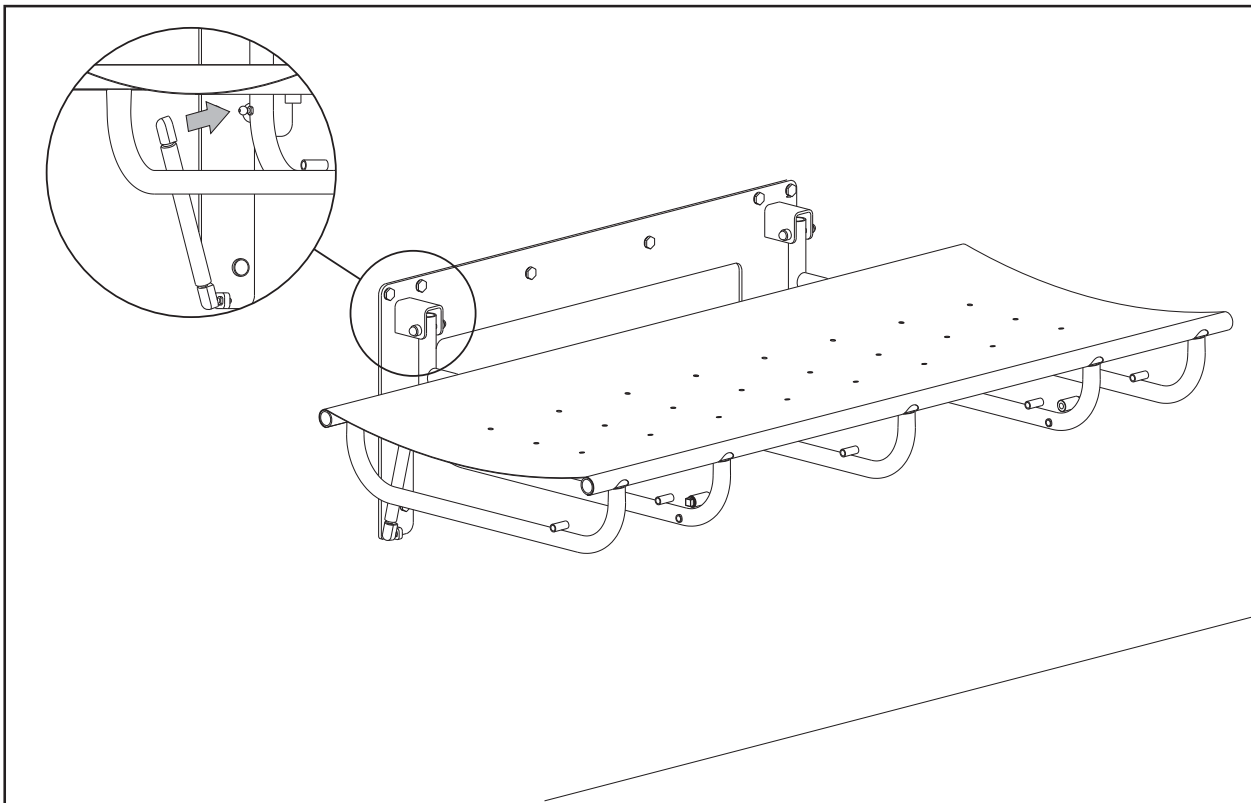
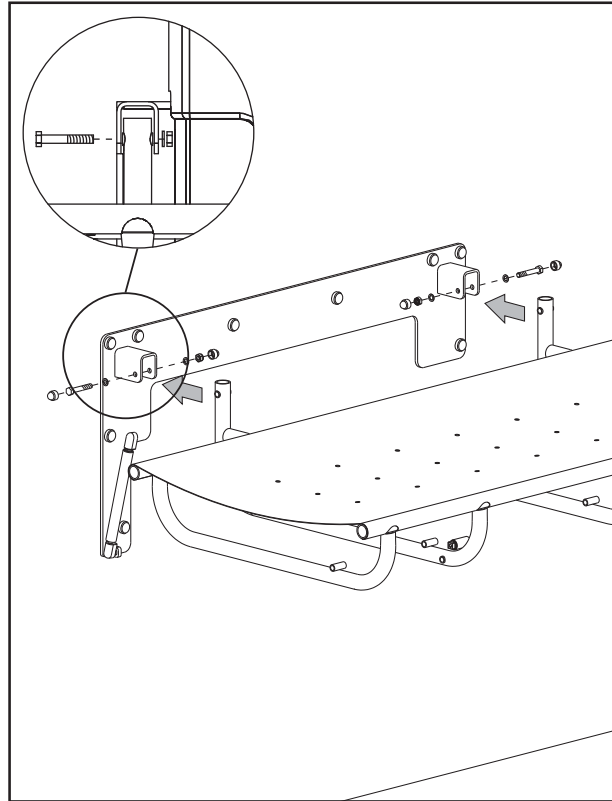
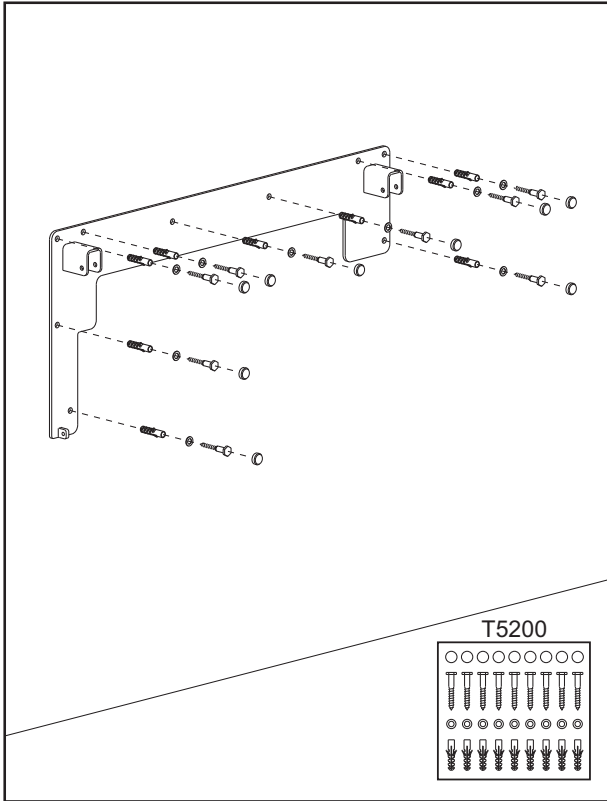
Drywall water-resistant, re-enforced with steel plates
(2 x 12,5 mm)
2 mm

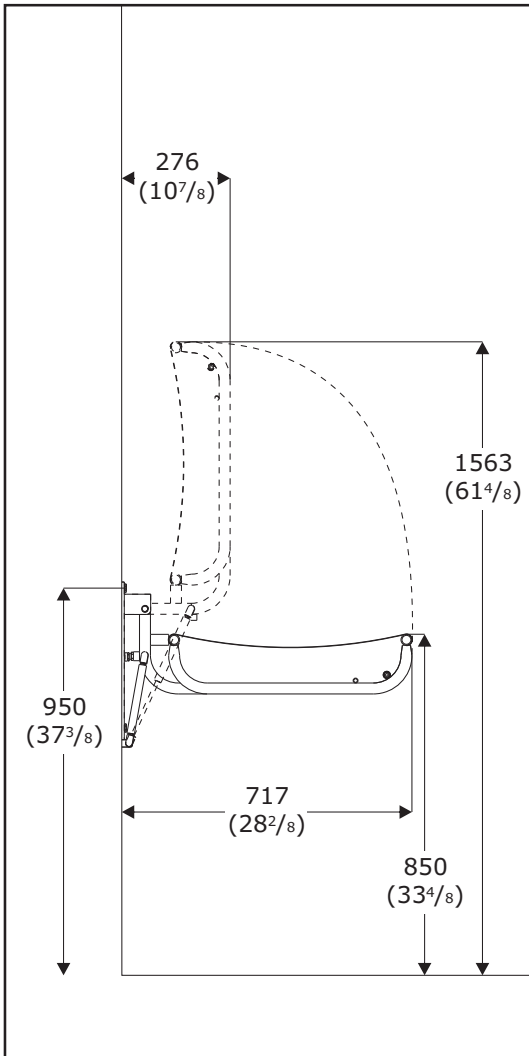
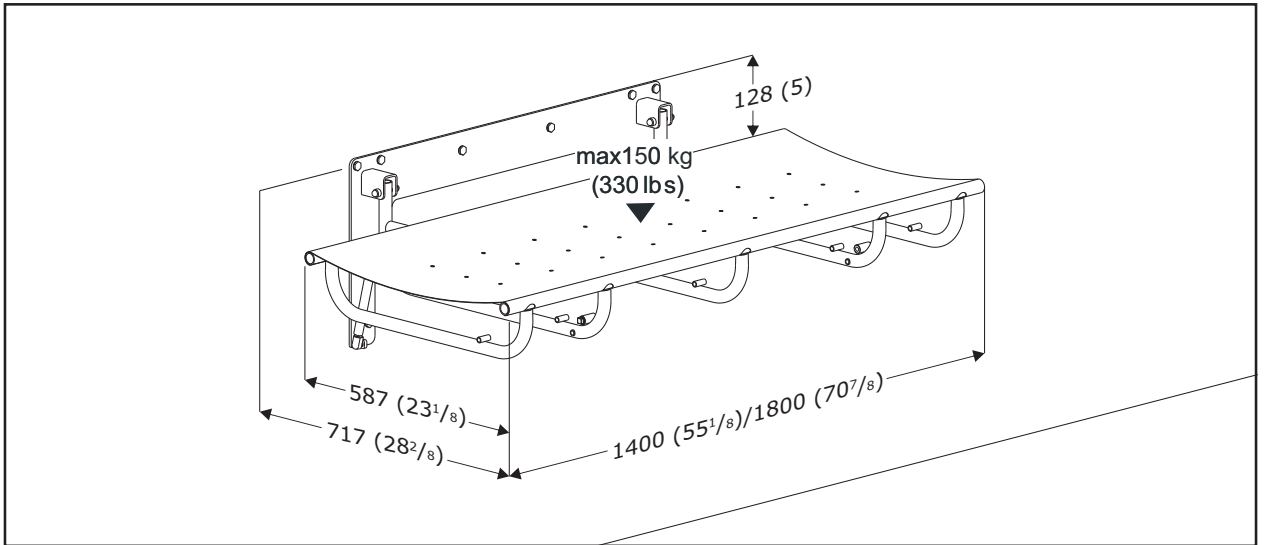


Drywall water-resistant
(2 x 12,5 mm)



Concrete anchors included at no additional charge.





Maintenance, Cleaning:

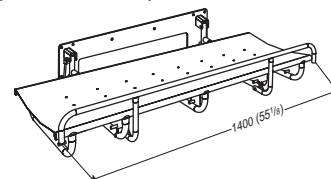
Use only regular soap and water. Avoid cleaners which polish, corrode, or contain chlorine

Find more information about these products on our website:

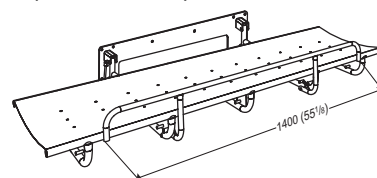
R8406 -- Child Size

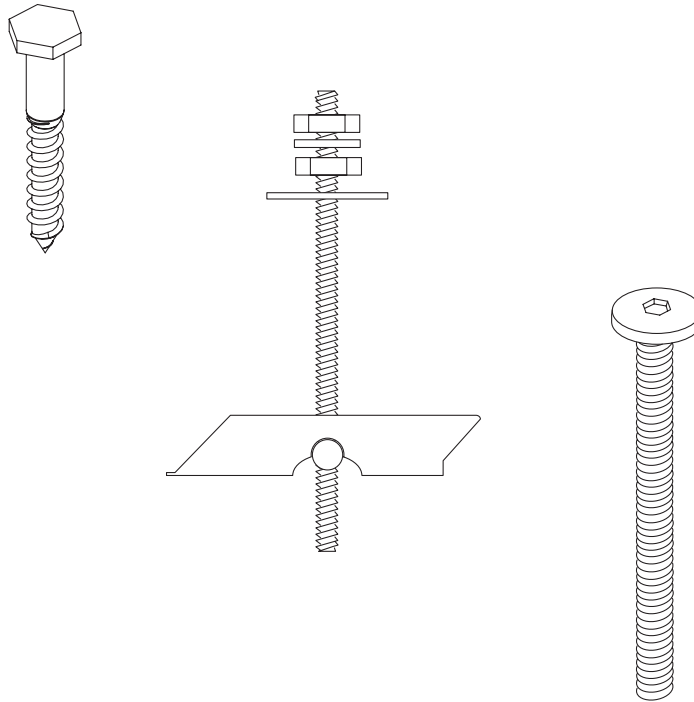
R8407 -- Adult Size

R8406 (Child Size)



R8407 (Adult Size)





(US) Load bearing installation recommendations

- Pressalit can only be held responsible for installations carried out by Pressalit's own installers.
- Pressalit can not be held responsible for reinforcements made in a faulty manner.
- The below recommendations are based on experience and internal test results.
- The below recommendations are to be considered as guidelines only.
- Subject to alteration without further notice.

This advisory document shows the maximum load capacity for individual bolts and other types of anchors that can be used for fixing Pressalit's products to the wall.

The maximum load capacities shown below are per bolt/anchor and must be considered in relation to the information provided for the product that is being fitted. The information specific to the product will show how great the load is on each fixing point when the product is used at its recommended safe working load.

Only if the load on each fixing point of a given product is less than the maximum load capacity of the type of bolt/anchor under consideration, should the bolt/anchor in question be used.

E.g.

One might wish to fit an adult changing table 3000 to an aerated concrete wall:

Maximum load Maximum load: 440 lbs.
 When the bench is loaded with 440 lbs, each mounting bolt supports 57 lbs.

Each fixing point is here carrying a load of 57 lbs, and the bolts typically recommended for aerated concrete (Ø10, M8, M10) all have a maximum load capacity that is higher than 57 lbs, so they can all be used.

Aerated Concrete P4	Plug	Anchor / Bolt	Maximum load
	fischer GB 14 	Ø10 x 80-105 	198 lbs
	fischer FTP M 8 	M8 x 35 	143 lbs
	fischer FTP M 8 	M8 X 35 	143 lbs
	fischer FTP K 6 	M5 x 50 	88 lbs

Please refer to installation drawings and specification pages (go to max-ability.com) for further information about which types of bolts/anchors are recommended on specific wall types. MAX-Ability provides concrete anchors at no additional charge. Other fixing kits should be ordered separately.

Choose the appropriate anchor for your wall

Concrete > B25	Plug	Anchor	Maximum load
	fischer SX 12 	Ø10 x 70/80 	375 lbs.
	fischer SX 10 	Ø8 x 70/80 	265 lbs
	fischer SX 6 	Ø5 x 50 	143 lbs
Solid brick >= Mz12	Plug	Anchor	Maximum load
	fischer SX 12 	Ø10 x 70/80 	154 lbs
	fischer SX 10 	Ø8 x 70/80 	132 lbs
	fischer SX 6 	Ø5 x 50 	66 lbs
Solid sand lime brick >= Hlz12	Plug	Anchor	Maximum load
	fischer SX 12 	Ø10 x 70/80 	375 lbs
	fischer SX 10 	Ø8 x 70/80 	265 lbs
	fischer SX 6 	Ø5 x 50 	110 lbs
Aerated Concrete P4	Plug	Anchor / Bolt	Maximum load
	fischer GB 14 	Ø10 x 80-105 	198 lbs
	fischer FTP M 8 	M8 x 35 	143 lbs
	fischer FTP M 8 	M8 X 35 	143 lbs
	fischer FTP K 6 	M5 x 50 	88 lbs

Wall Types



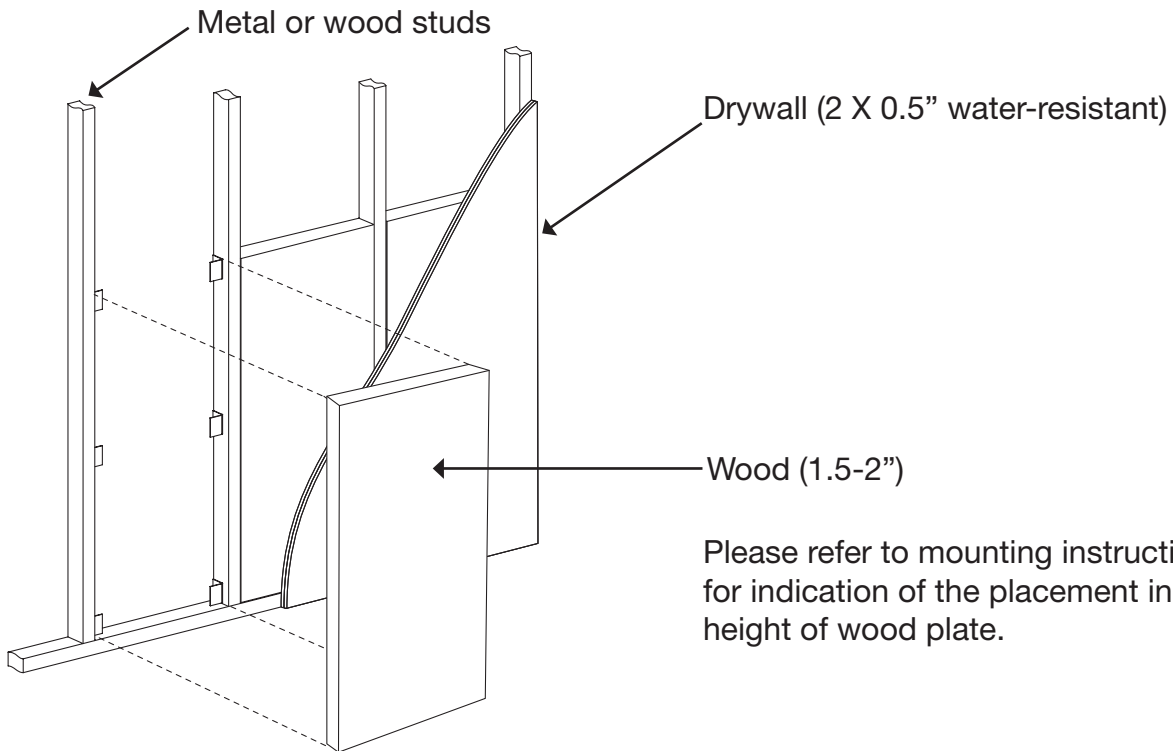
PRESSALIT®

2019-06-07 · 4/7

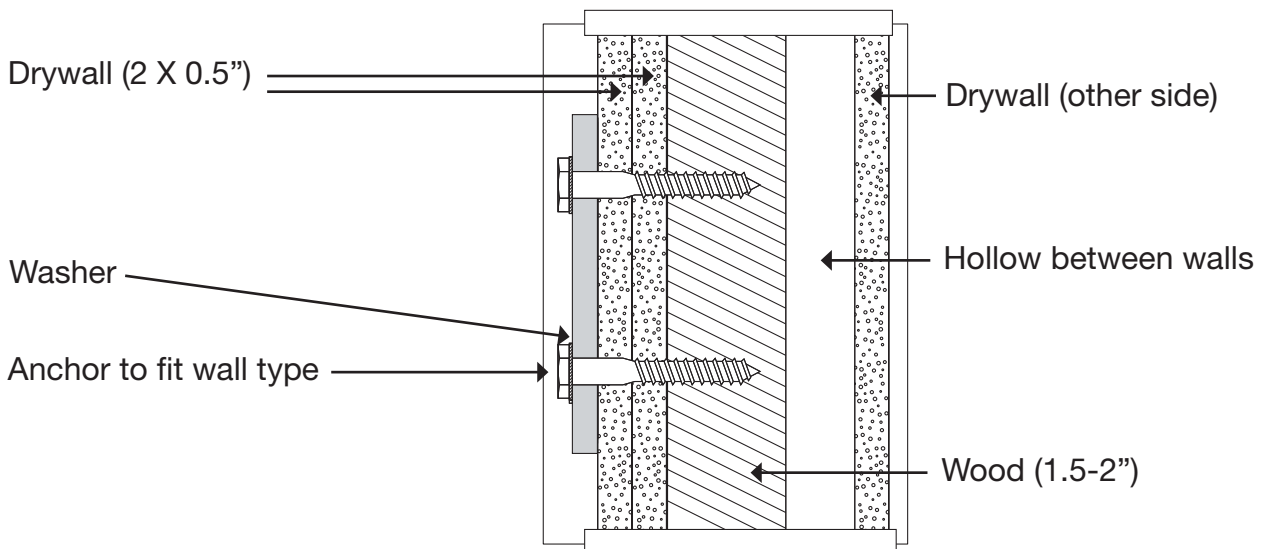
Drywall (2 X 0.5") water-resistant, re-enforced with wood	Anchor	Maximum load
	Ø10 x 70/80 	265 lbs
	Ø8 x 70/80 	220 lbs
	Ø5 x 50 	88 lbs
Drywall (2 X 0.5") water-resistant, re-enforced with 1" plywood	Anchor	Maximum load
	fischer KD8 toggle 	293 lbs
	Wingit 	293 lbs
	Snaptight 	293 lbs
Drywall (2 X 0.5") water-resistant, re-enforced with steel plates (0.1")	Anchor	Maximum load
	fischer KD8 toggle 	207 lbs
	Wingit 	207 lbs
	Snaptight 	207 lbs
Drywall (2 X 0.5") water-resistant	Anchor	Maximum load
	fischer KD8 toggle 	187 lbs
	Wingit 	187 lbs
	Snaptight 	187 lbs

Reinforcement of wall with 1.5-2" wood

Reinforcements of walls should always comply with national standards.

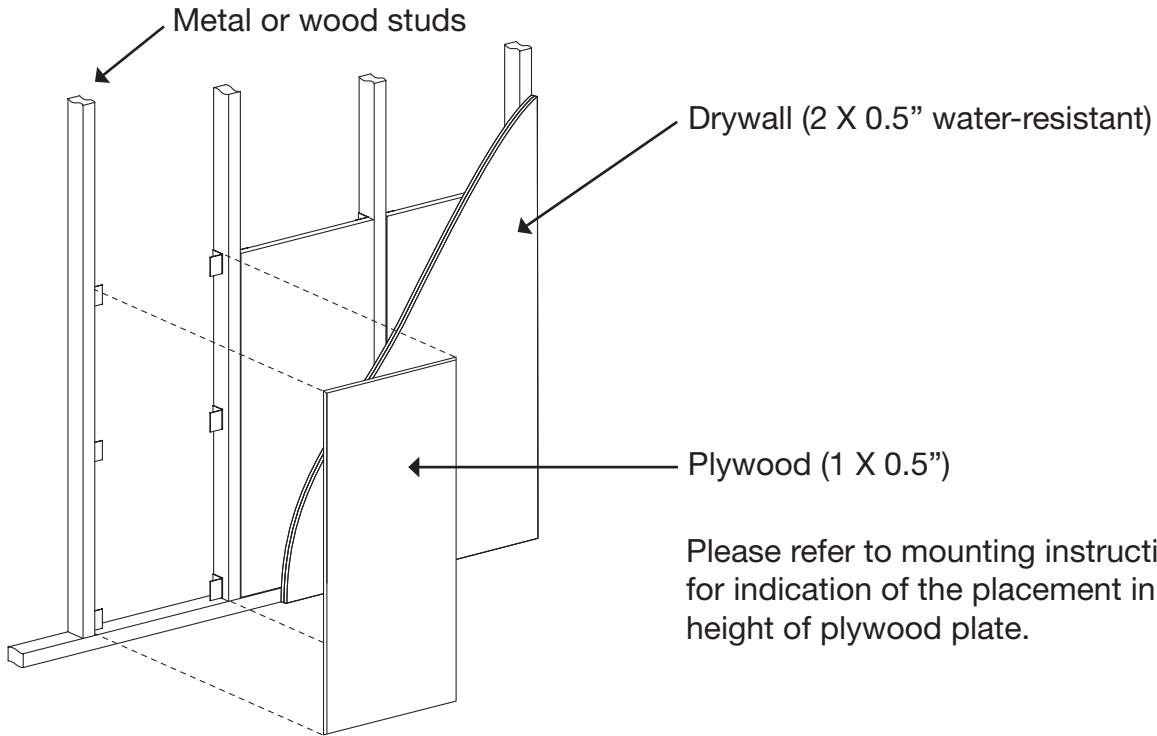


Wall cross-section

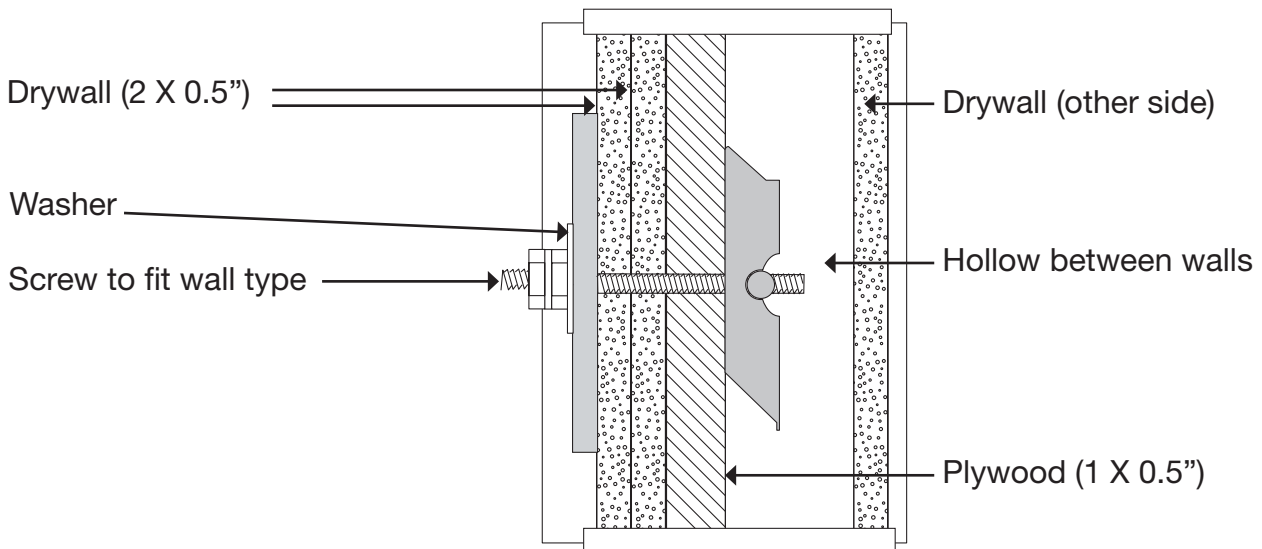


Reinforcement of wall with plywood

Reinforcements of walls should always comply with national standards.



Wall cross-section



Reinforcement of wall with steel

Reinforcements of walls should always comply with national standards.

